

[54] **PRINTER RIBBON CARTRIDGE**

- [75] Inventor: **William M. Schiffmacher**, Boulder, Colo.
[73] Assignee: **Aspen Ribbons, Inc.**, Lafayette, Colo.
[**] Term: **14 Years**
[21] Appl. No.: **533,119**
[22] Filed: **Sep. 19, 1983**
[52] U.S. Cl. **D18/22; D18/12**
[58] Field of Search **D18/12, 13, 22, 99; D14/11; 400/196, 196.1, 207, 208, 208.1; 252/55.19 A, 197, 199, 200**

- [56] **References Cited**
U.S. PATENT DOCUMENTS
D. 245,116 7/1977 Trezise D18/12
D. 247,325 2/1978 Trezise D18/12
D. 261,277 10/1981 Hashimoto et al. D18/12

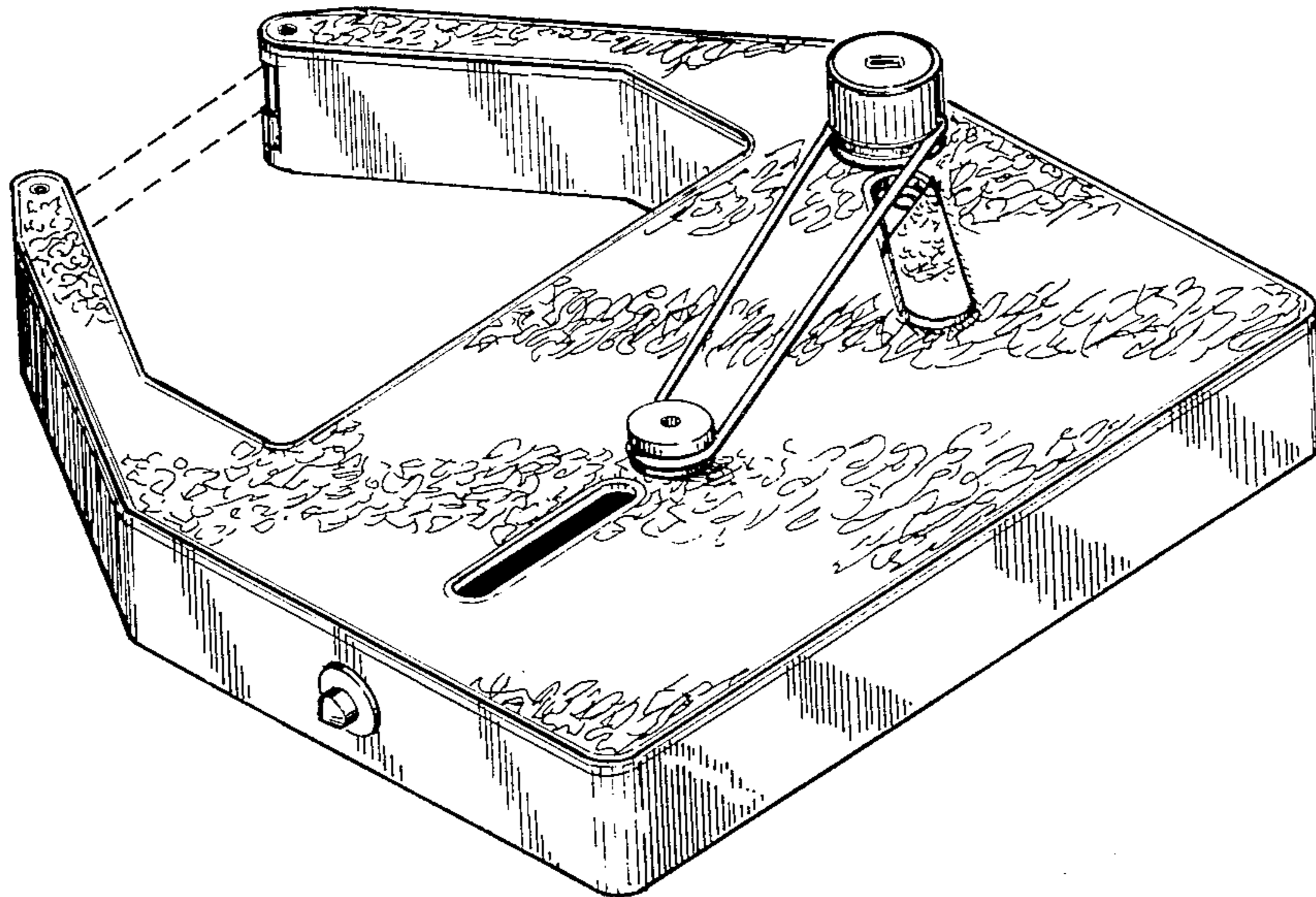
OTHER PUBLICATIONS

Office Products Dealer, 2/1980, p. 95—Ribbon at bottom center.
Office Products Dealer, 12/1981, p. 45—Pelikan ribbon at top left.
Primary Examiner—Louis S. Zarfes
Attorney, Agent, or Firm—Fields, Lewis, Pittenger & Rost

[57] **CLAIM**
The ornamental design for the printer ribbon cartridge, as shown and described.

DESCRIPTION

FIG. 1 is a perspective view of the printer ribbon cartridge showing my new design;
FIG. 2 is a top plan view thereof;
FIG. 3 is a front elevation view thereof;
FIG. 4 is a right end view thereof;
FIG. 5 is a back elevation thereof; and
FIG. 6 is a bottom plan view thereof.
The broken lines in FIGS. 1, 2, 3 and 6 of the drawings are for illustrative purposes only.



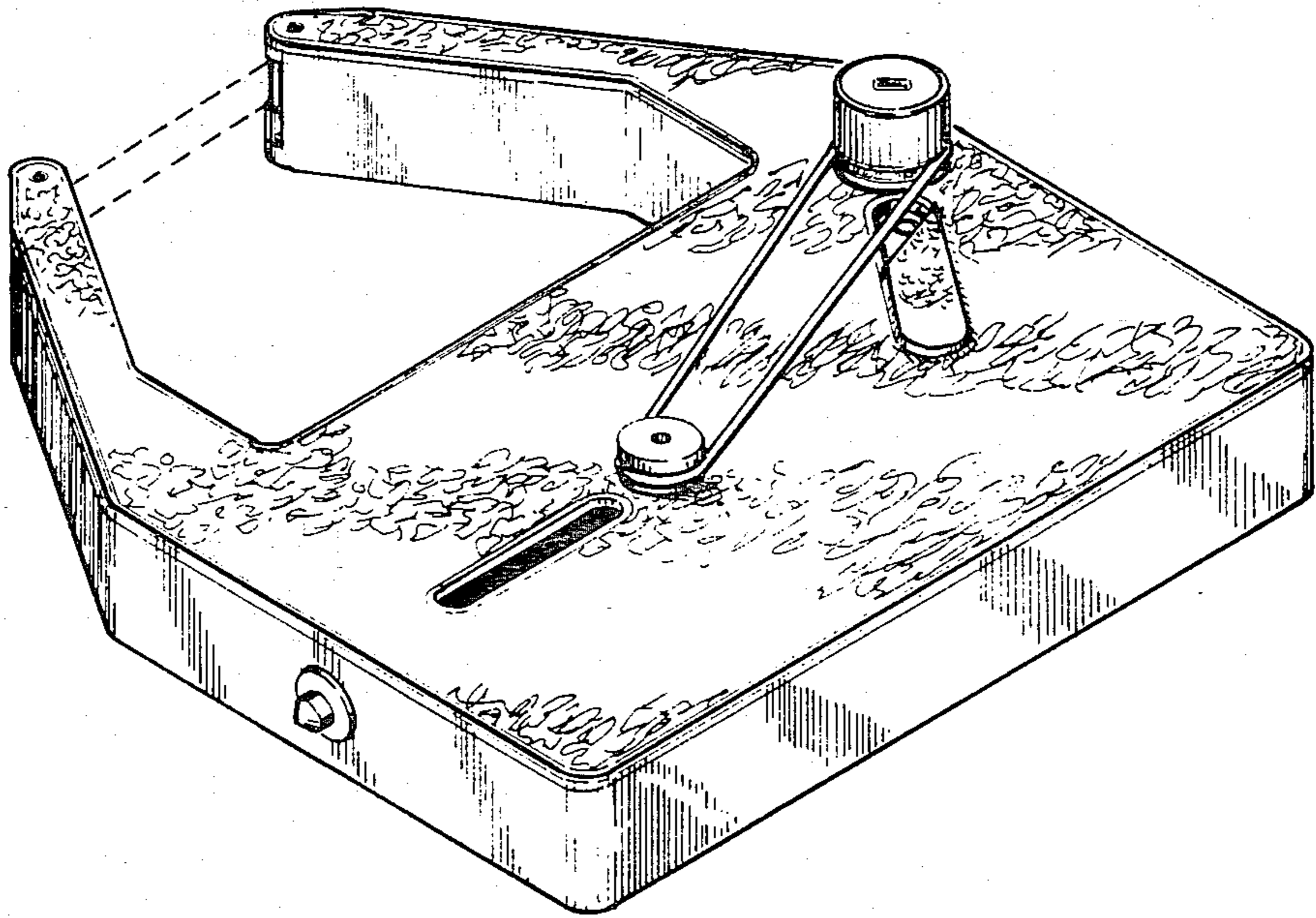


Fig. 1

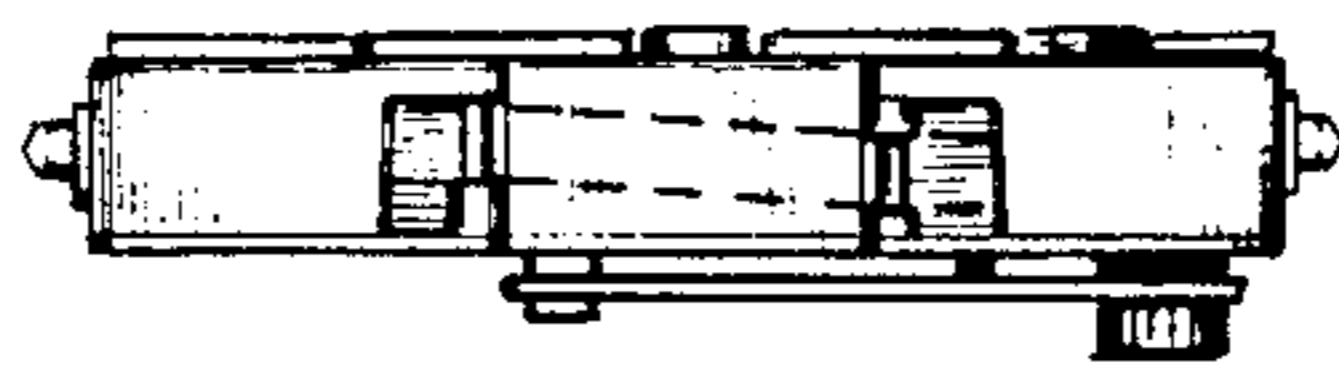


Fig. 3

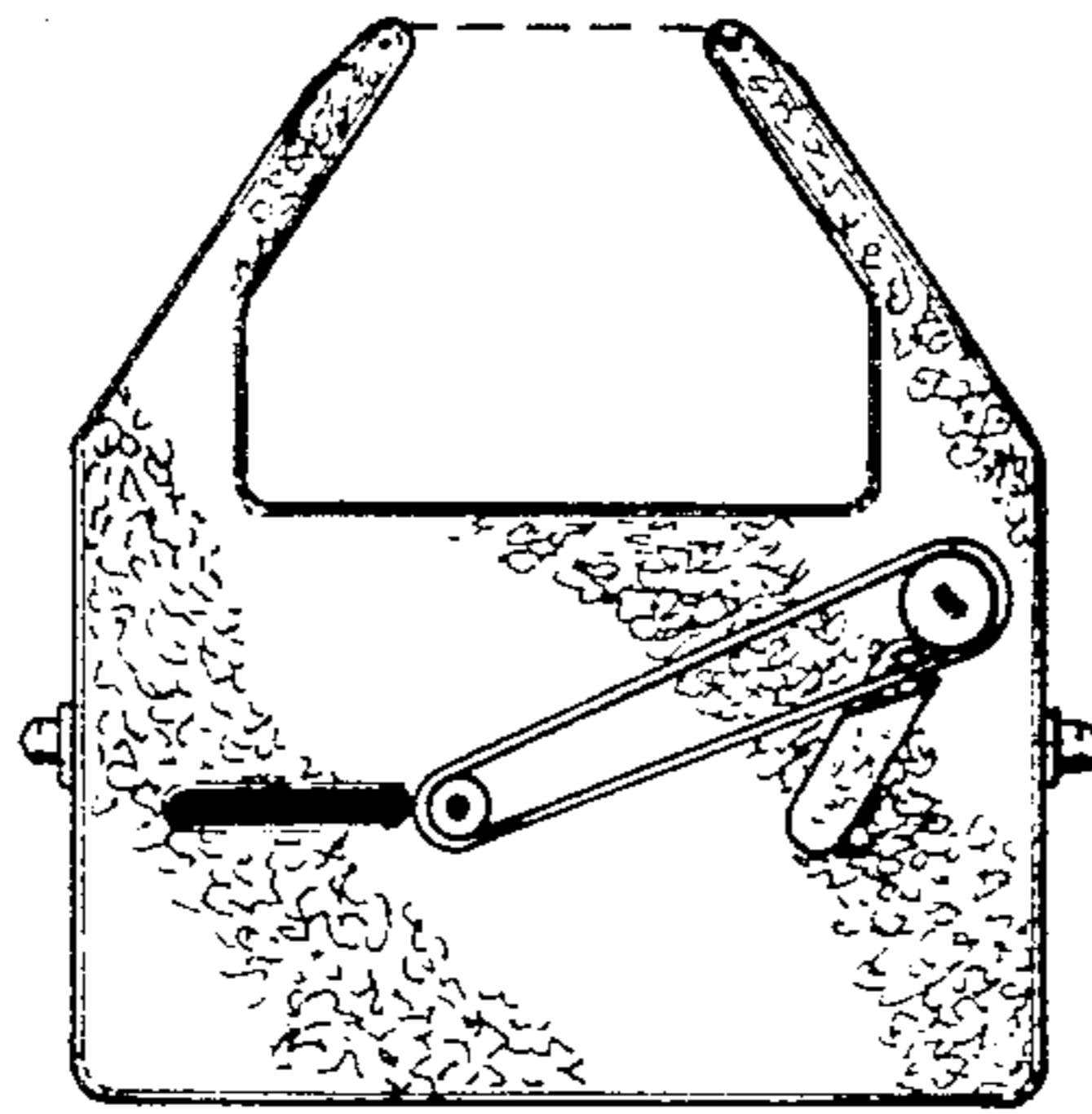


Fig. 2



Fig. 4



Fig. 5

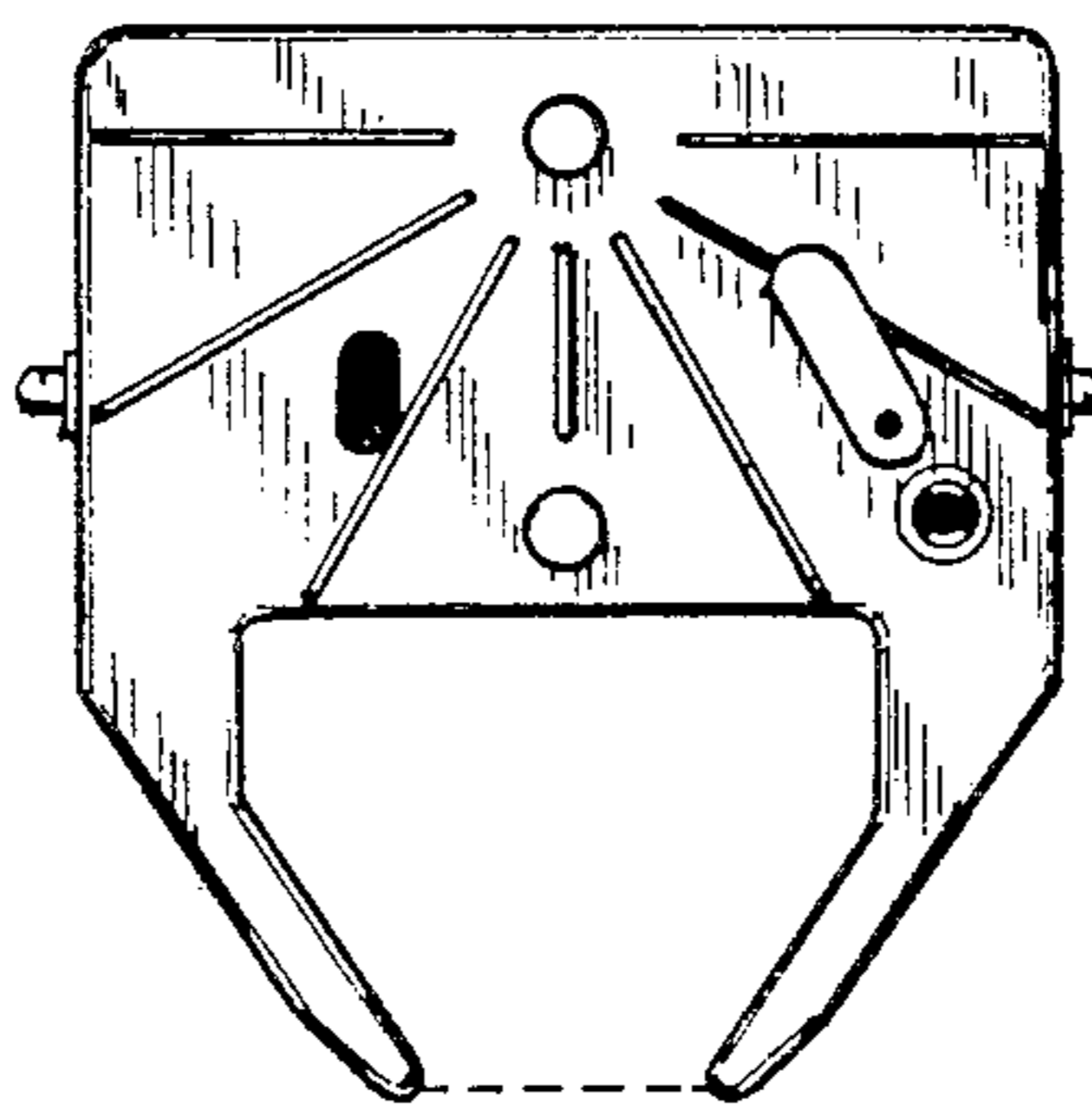


Fig. 6