

[54] PRINTING RIBBON CARTRIDGE

[75] Inventor: Mario Bellini, Milan, Italy

[73] Assignee: Ing. C. Olivetti & C., S.p.A., Ivrea, Italy

[**] Term: 14 Years

[21] Appl. No.: 530,039

[22] Filed: Sep. 7, 1983

[30] Foreign Application Priority Data

Mar. 7, 1983 [IT] Italy 53013-B/83[U]
 [52] U.S. Cl. D18/22; D18/12
 [58] Field of Search D18/12, 13, 22, 99;
 D14/11; 400/196, 196.1, 207, 208, 208.1;
 242/55.19 A, 197, 199, 200

[56] References Cited

U.S. PATENT DOCUMENTS

D. 246,332 11/1977 Bellini D18/12
 D. 277,193 1/1985 Asahi D18/12

OTHER PUBLICATIONS

Office Products Dealer, 7/1981, p. 98—Ribbon at lower left.

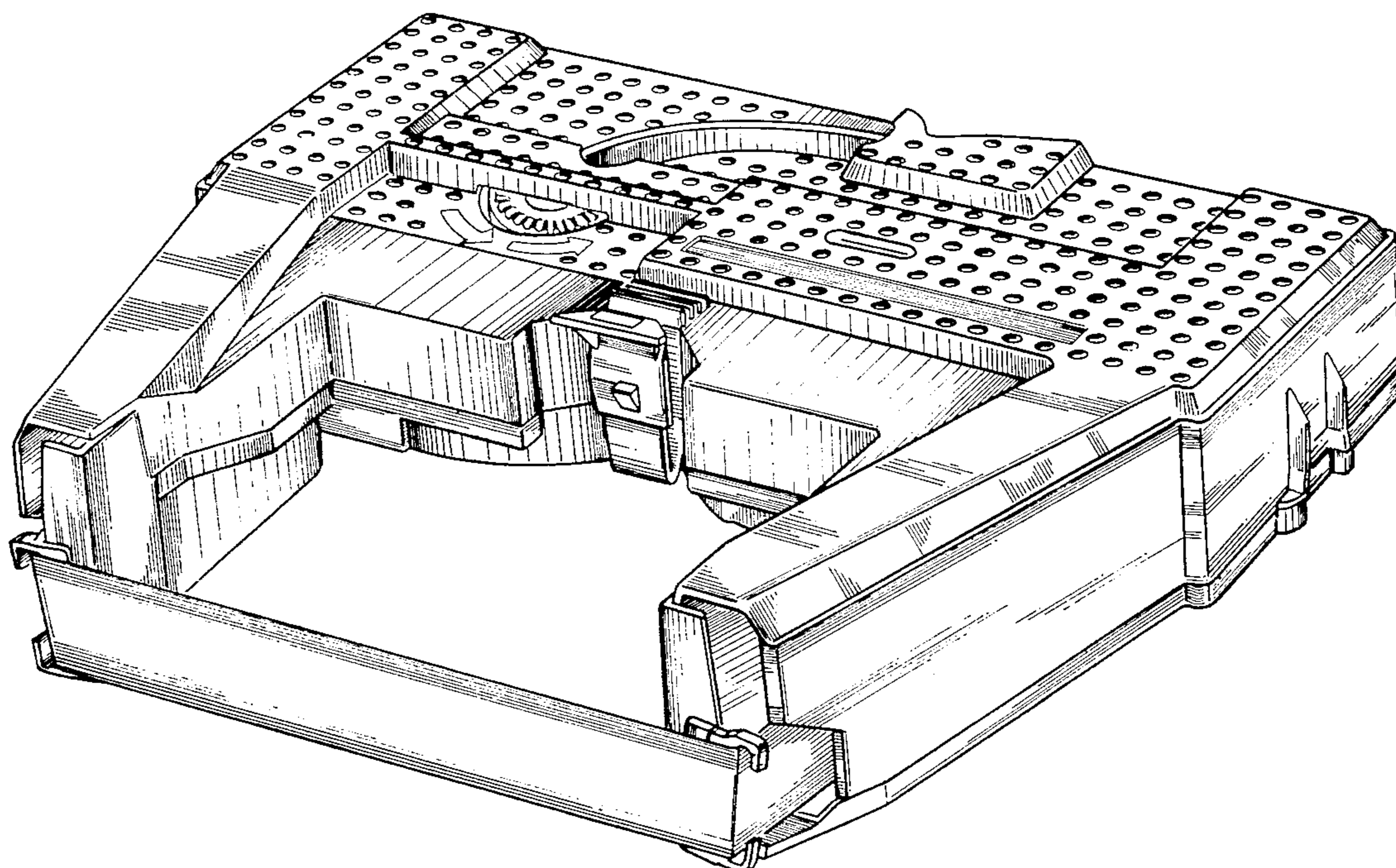
Primary Examiner—Louis S. Zarfes
Attorney, Agent, or Firm—Banner, Birch, McKie & Beckett

[57] CLAIM

The ornamental design for a printing ribbon cartridge, substantially as shown and described.

DESCRIPTION

FIG. 1 is a front and right perspective view of a printing ribbon cartridge showing my new design;
 FIG. 2 is a rear and left perspective view thereof;
 FIG. 3 is a left side elevational view thereof;
 FIG. 4 is a bottom plan view thereof.



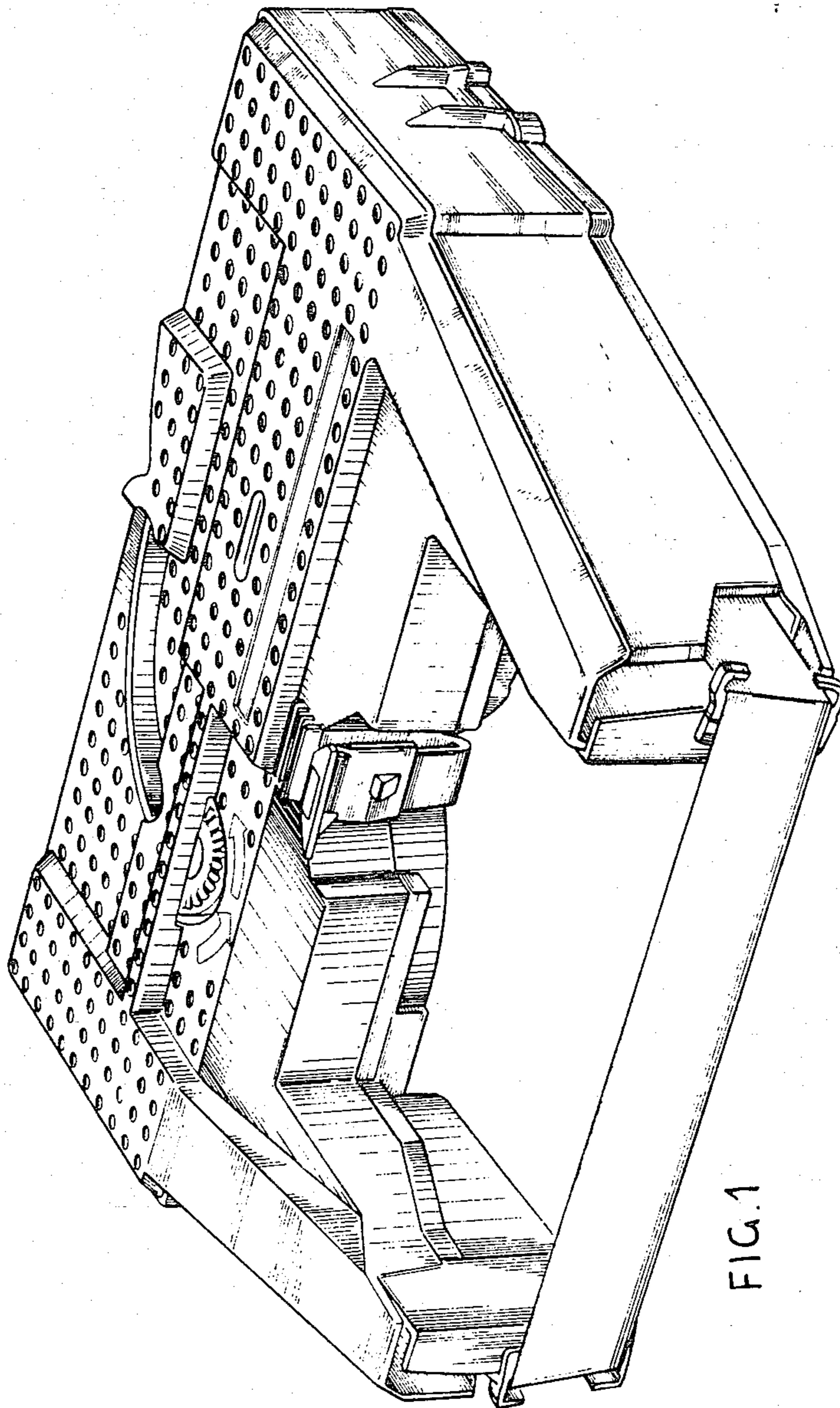


FIG. 1

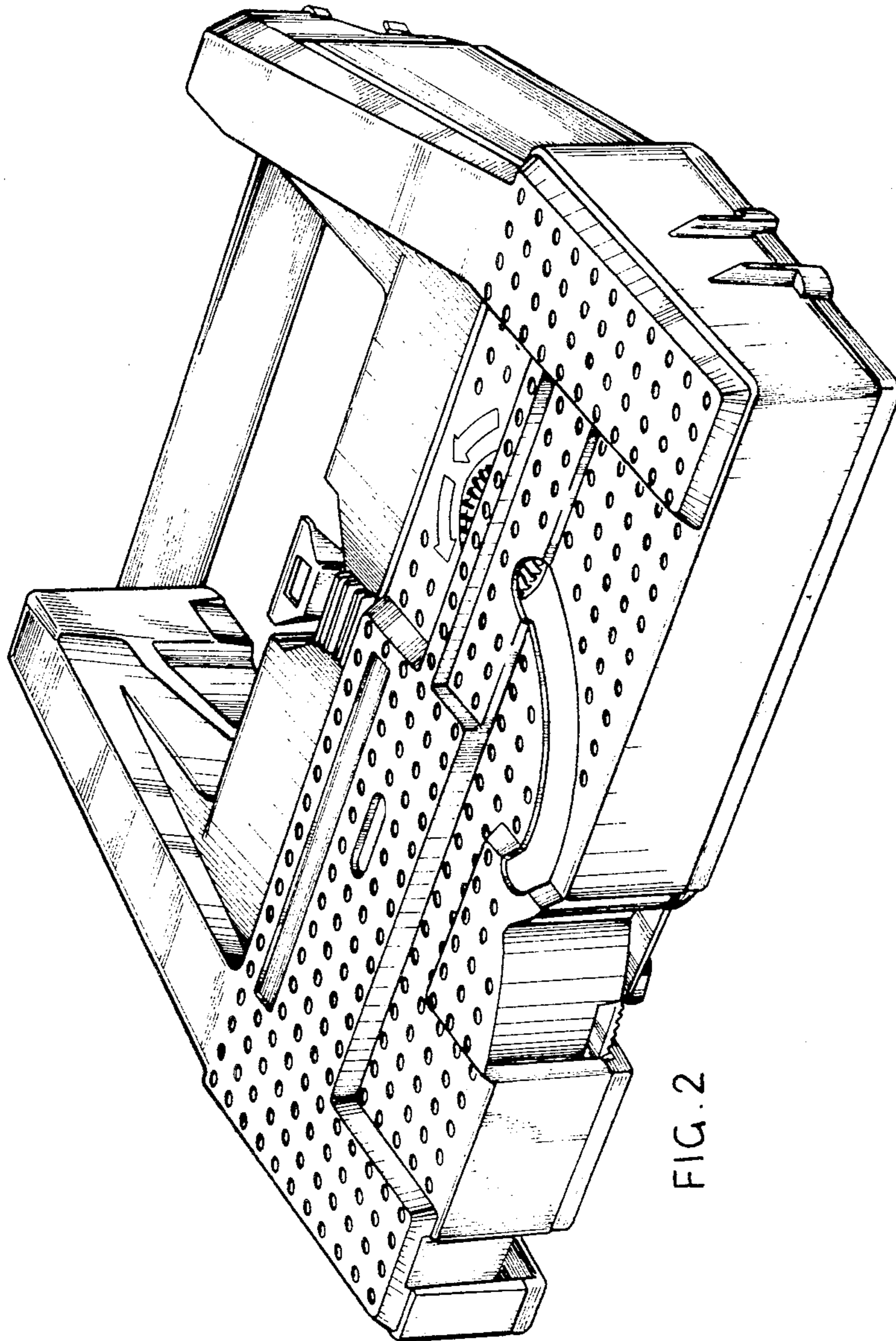


FIG. 2

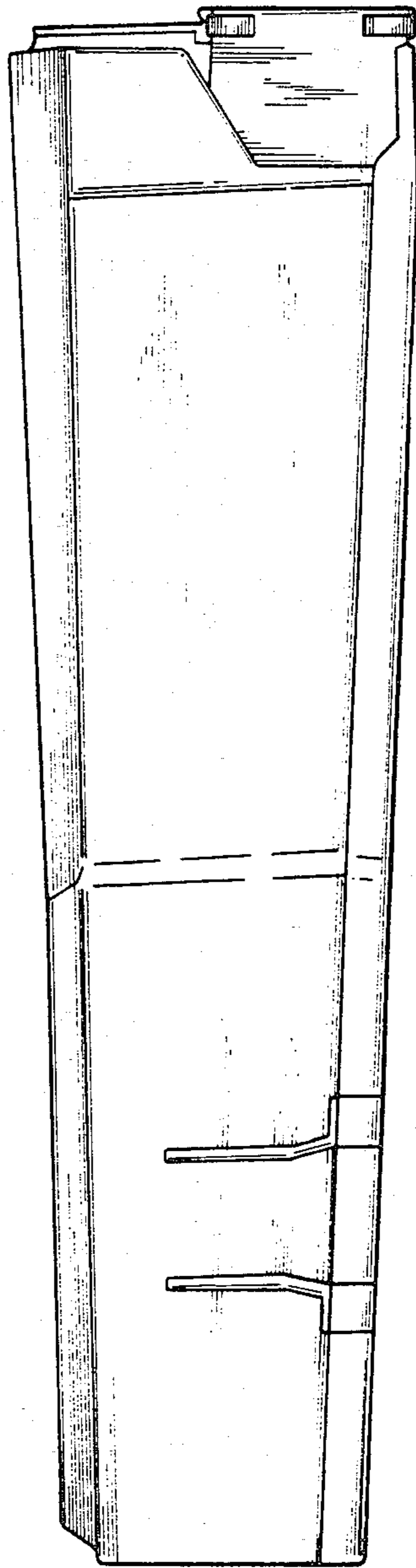


FIG. 3

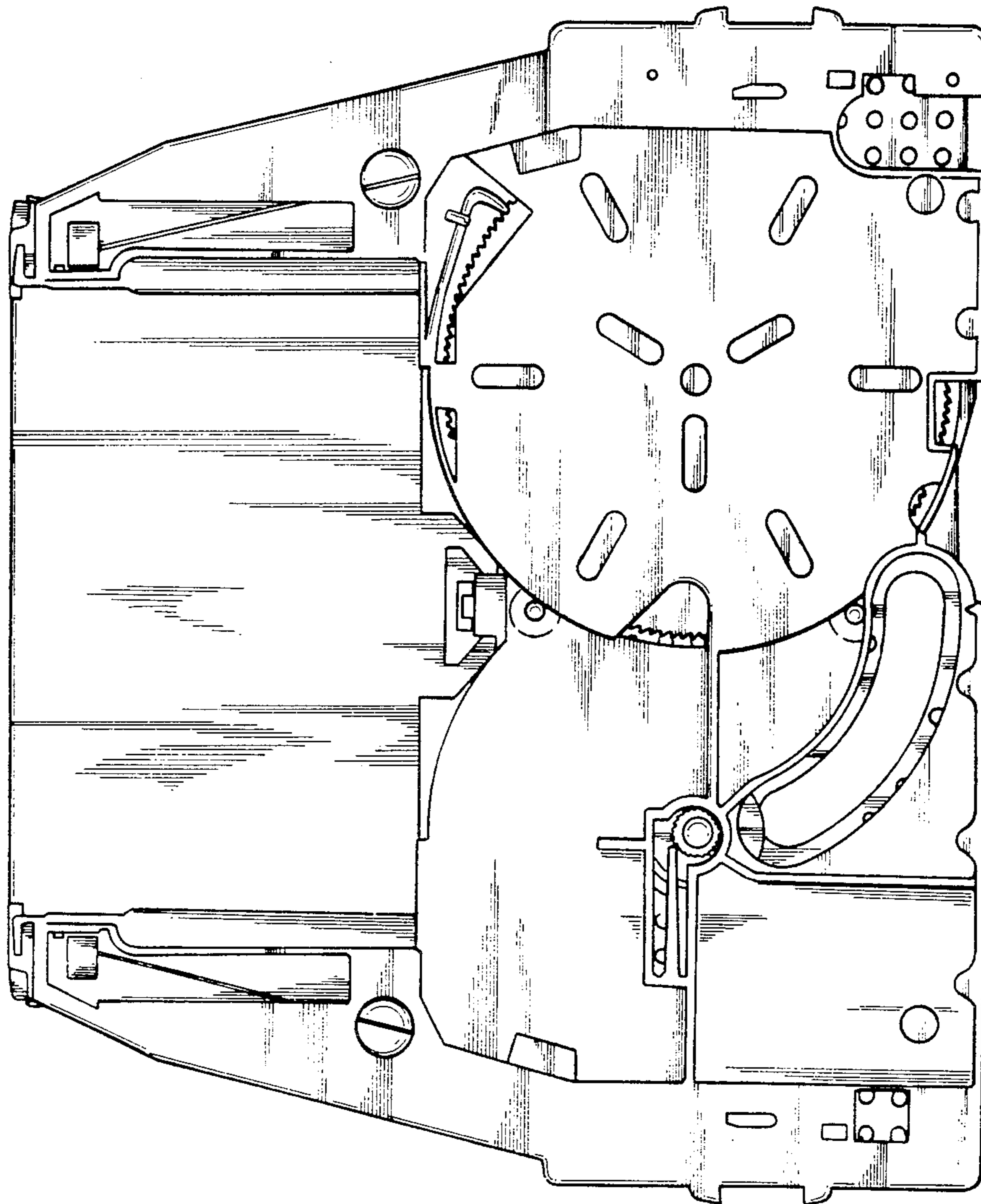


FIG. 4