

United States Patent [19]

Yamamoto

[11] Patent Number: **Des. 281,256**

[45] Date of Patent: **** Nov. 5, 1985**

[54] **LASER PRINTER**

[75] Inventor: **Toshio Yamamoto, Yokohama, Japan**

[73] Assignee: **Ricoh Company, Ltd., Japan**

[**] Term: **14 Years**

[21] Appl. No.: **488,109**

[22] Filed: **Apr. 25, 1983**

[30] **Foreign Application Priority Data**

Oct. 26, 1982 [JP] Japan 57-048559

[52] U.S. Cl. **D18/13; D16/31**

[58] Field of Search D18/13, 22, 23, 99;
D14/111, 107, 114; 400/118, 119; 346/108;
354/5; D16/27, 31

[56] **References Cited**

U.S. PATENT DOCUMENTS

D. 260,768 9/1981 Campbell et al. D14/111
D. 267,948 2/1983 Kojima et al. D16/31 X
3,965,476 6/1976 Wenander et al. 354/5 X
4,354,196 10/1982 Neumann et al. 346/108

Primary Examiner—Louis S. Zarfaz
Attorney, Agent, or Firm—Guy W. Shoup

[57] **CLAIM**

The ornamental design for a laser printer, as shown.

DESCRIPTION

FIG. 1 is a perspective view of a laser printer showing my new design;

FIG. 2 is a front elevational view;

FIG. 3 is a top plan view;

FIG. 4 is an elevational view of one side;

FIG. 5 is an elevational view of the other side;

FIG. 6 is a rear elevational view;

FIG. 7 is a bottom plan view.

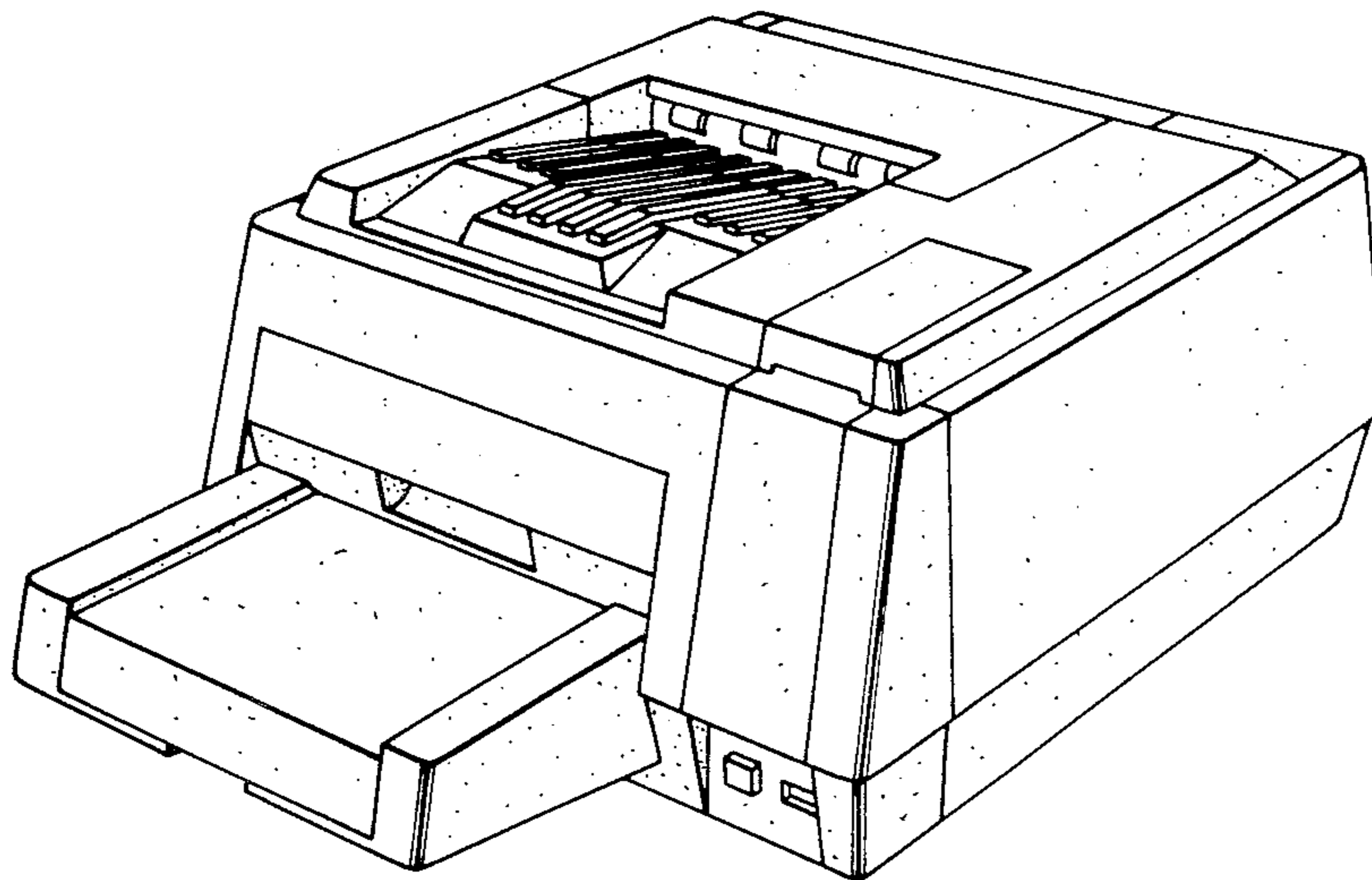


FIG. 1

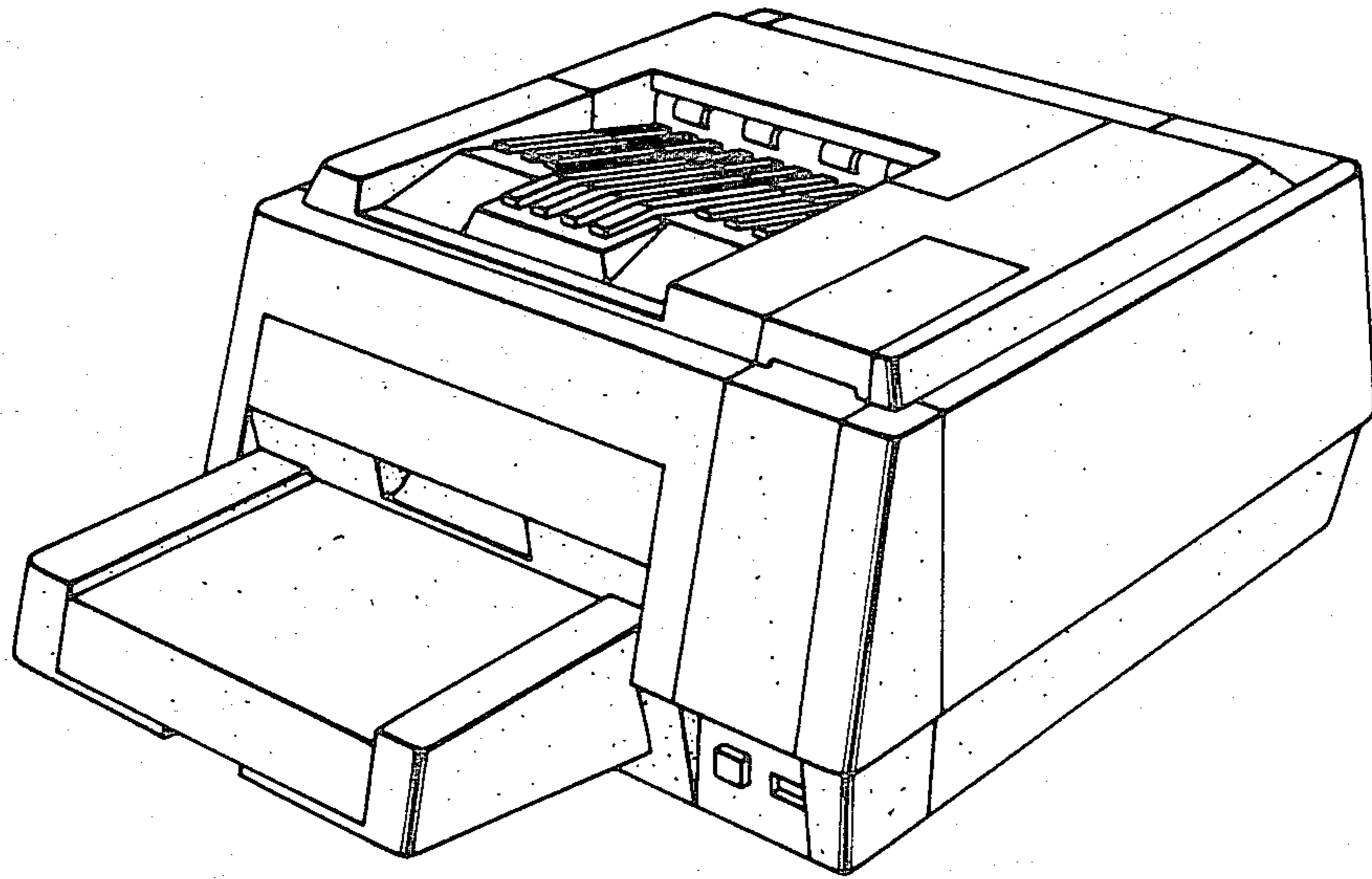


FIG. 2

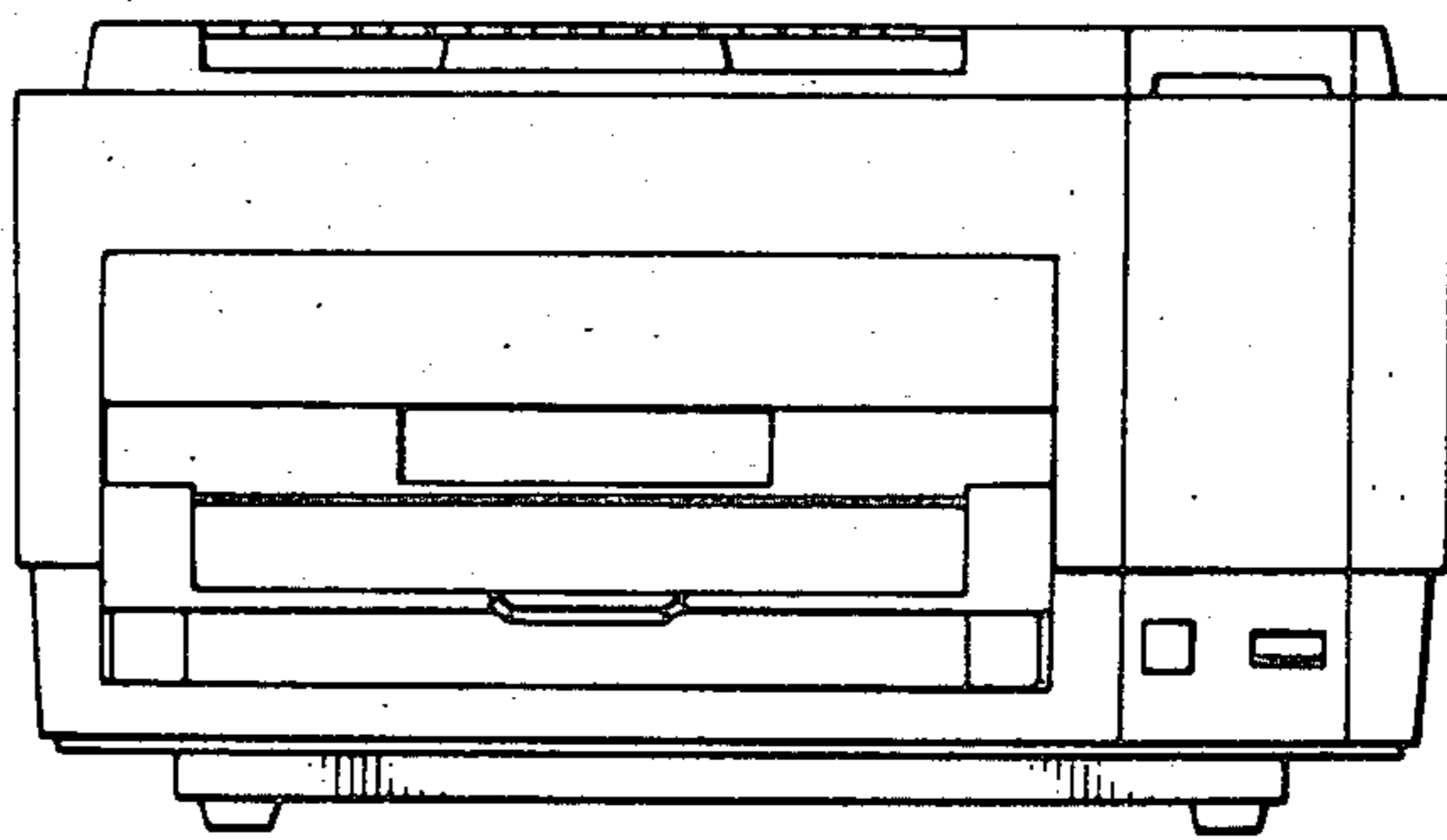


FIG. 3

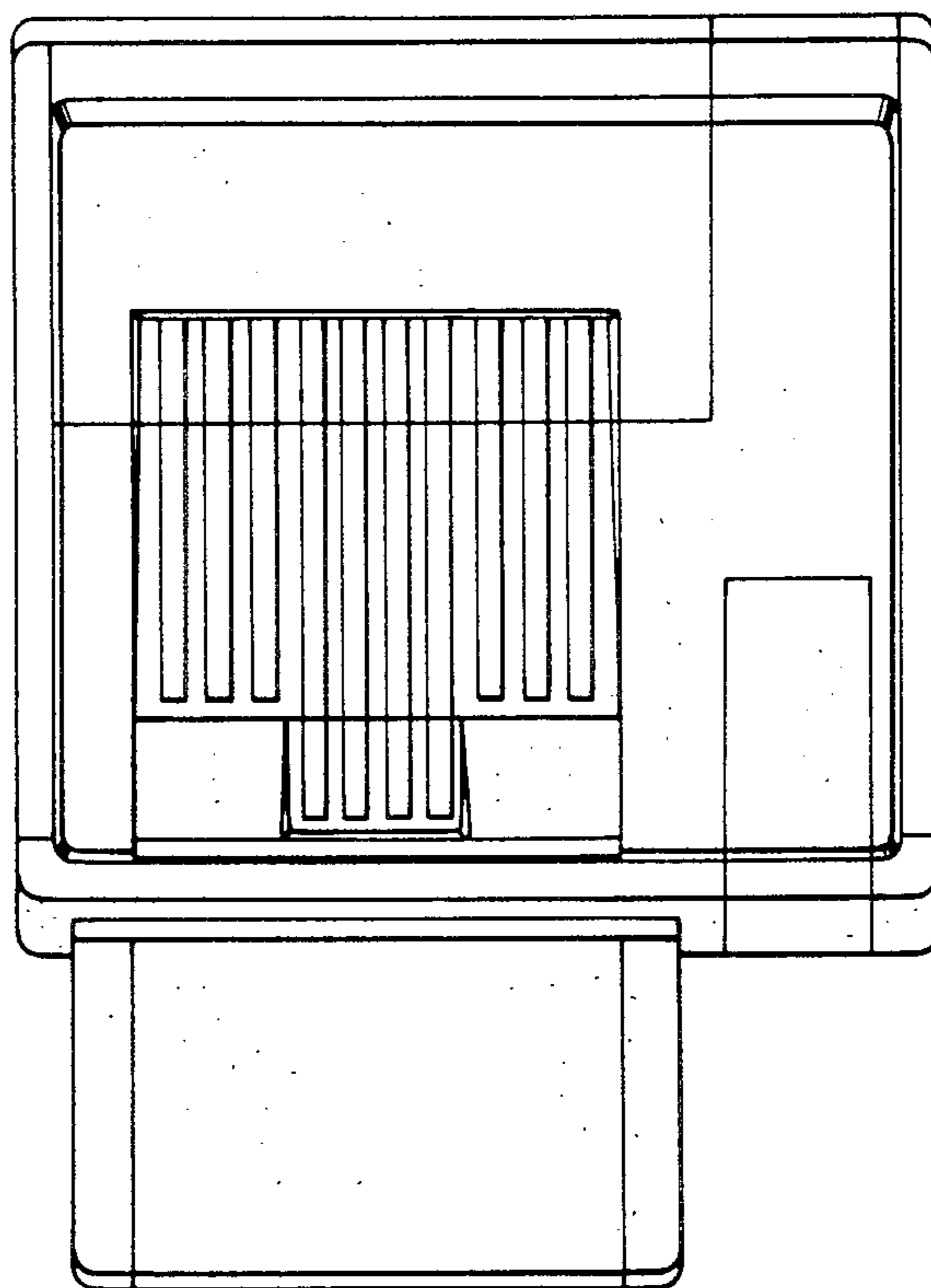


FIG. 4

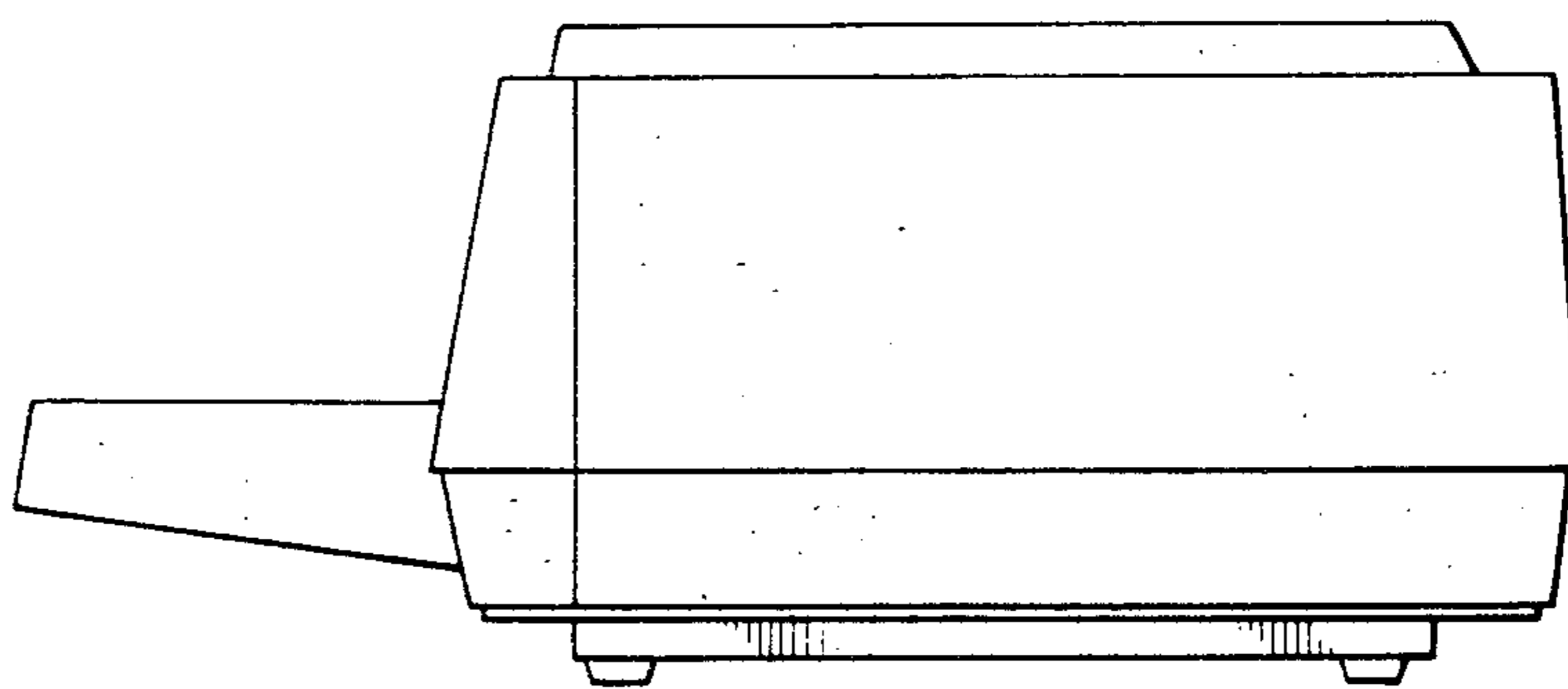


FIG. 5

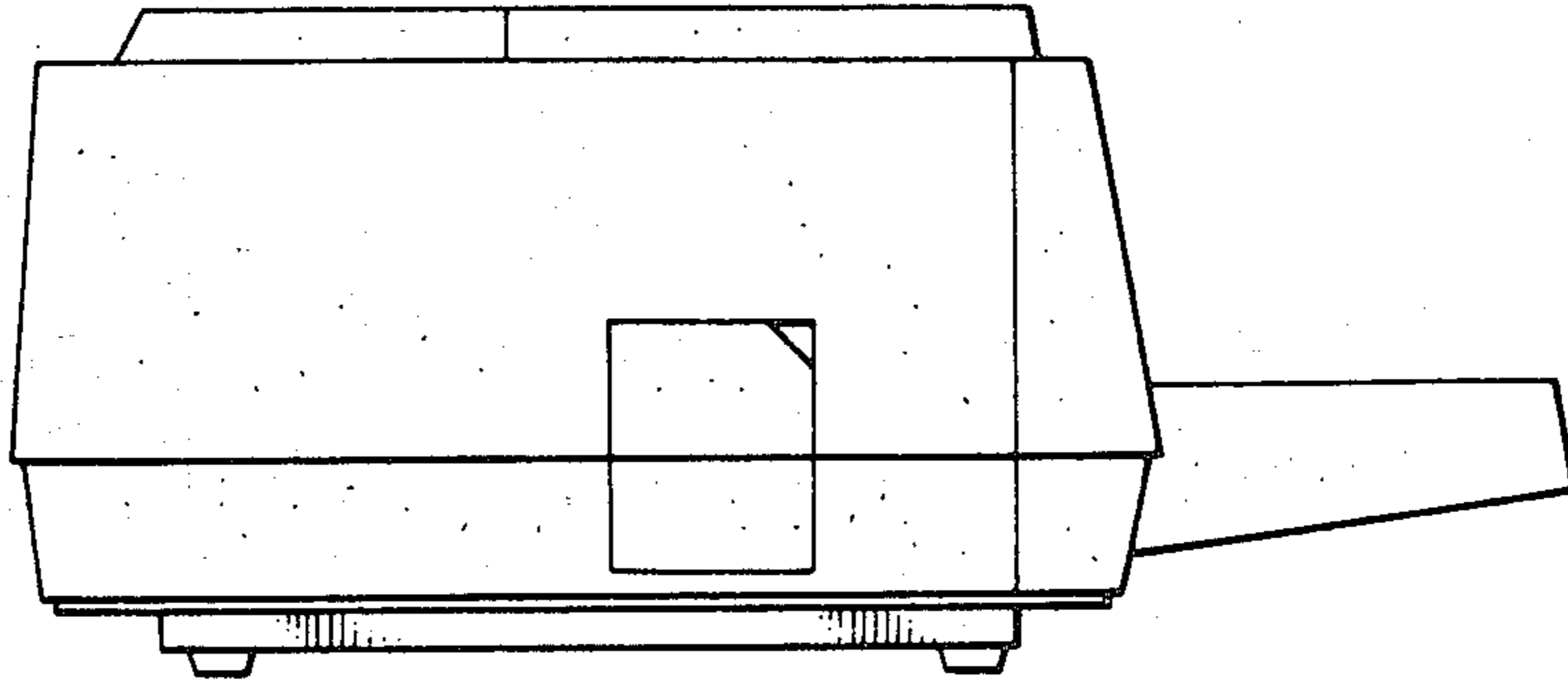


FIG. 6

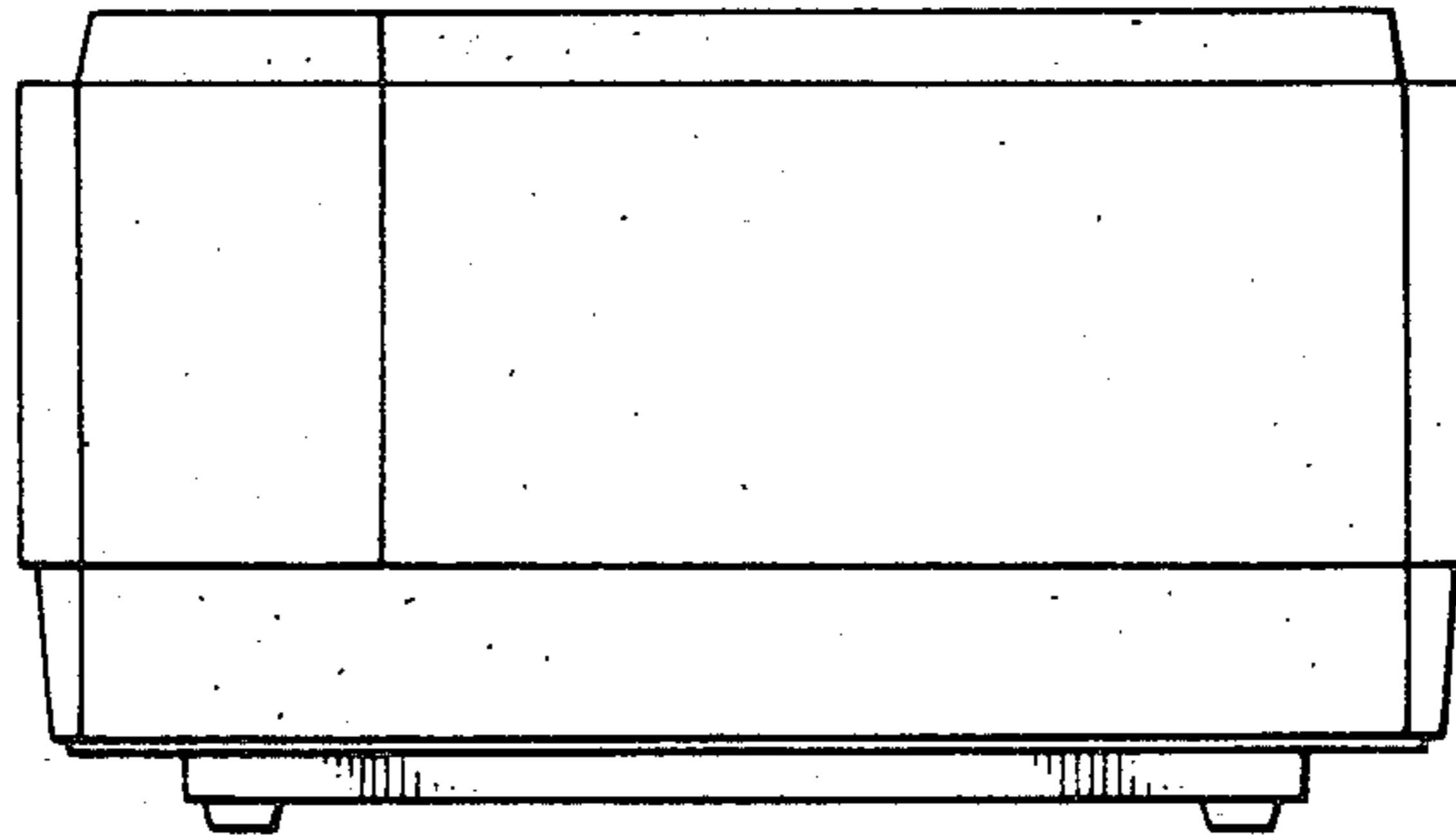


FIG. 7

