

[54] COMBINED ELECTRODE DRIVE AND NOZZLE UNIT FOR AN AUTOMATIC AIR CARBON-ARC CUTTING AND GOUGING TORCH

3,659,071 4/1972 Henderson 219/69 G
3,728,513 4/1973 Charrier et al. 219/70
3,919,516 11/1975 Ullman et al. 219/69 R
4,260,867 4/1981 Coughliu et al. 219/69 R

[75] Inventors: David E. Johnson, Pataskala; Larry A. Aebersold; Kenneth E. McCall, both of Lancaster, all of Ohio

Primary Examiner—B. J. Bullock
Attorney, Agent, or Firm—James C. Simmons; E. Eugene Innis

[73] Assignee: Arcair Company, Lancaster, Ohio

[57] CLAIM

[**] Term: 14 Years

The ornamental design for a combined electrode drive and nozzle unit for an automatic air carbon-arc cutting and gouging torch, as shown and described.

[21] Appl. No.: 487,381

DESCRIPTION

[22] Filed: Apr. 21, 1983

[52] U.S. Cl. D15/144

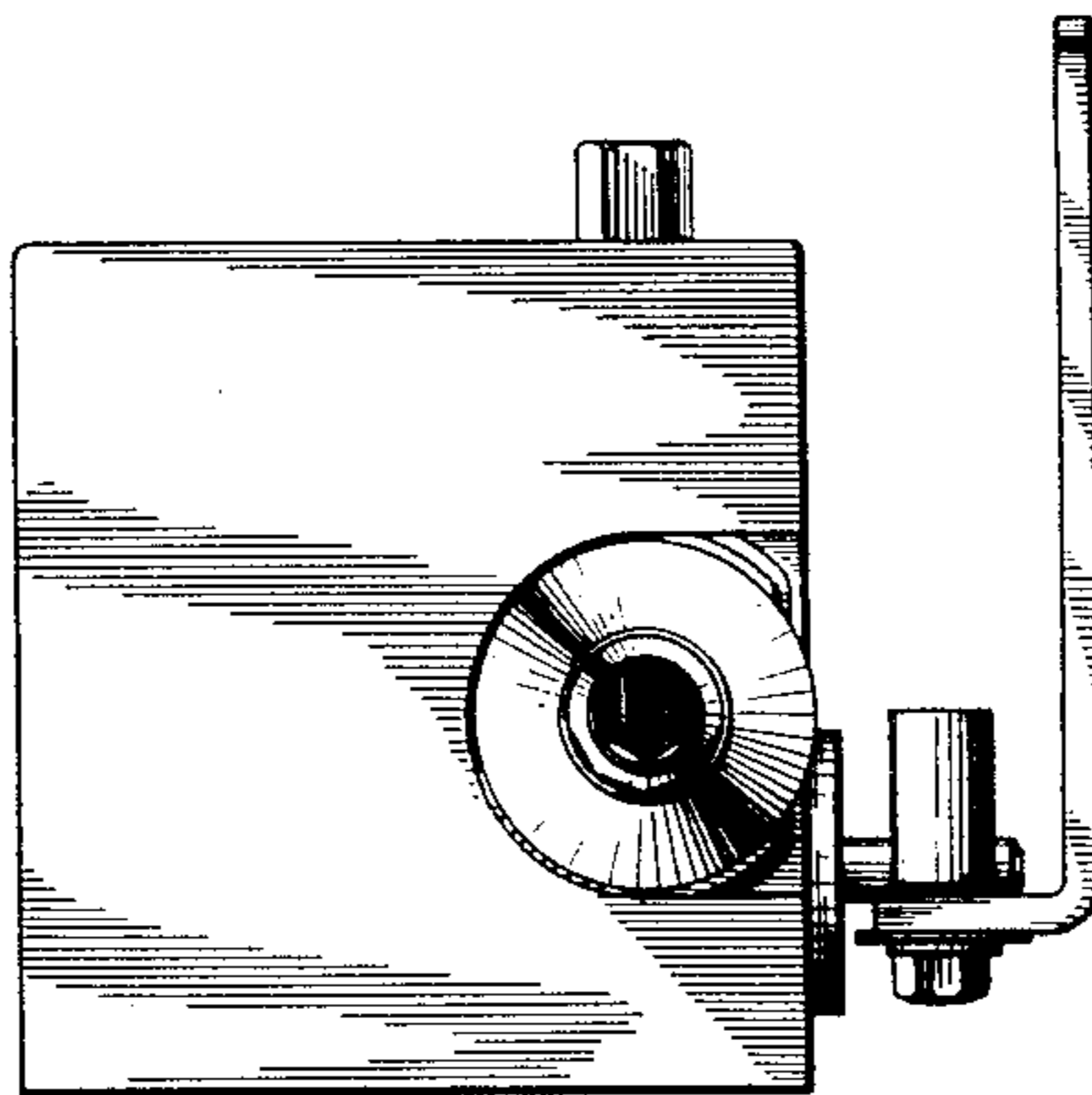
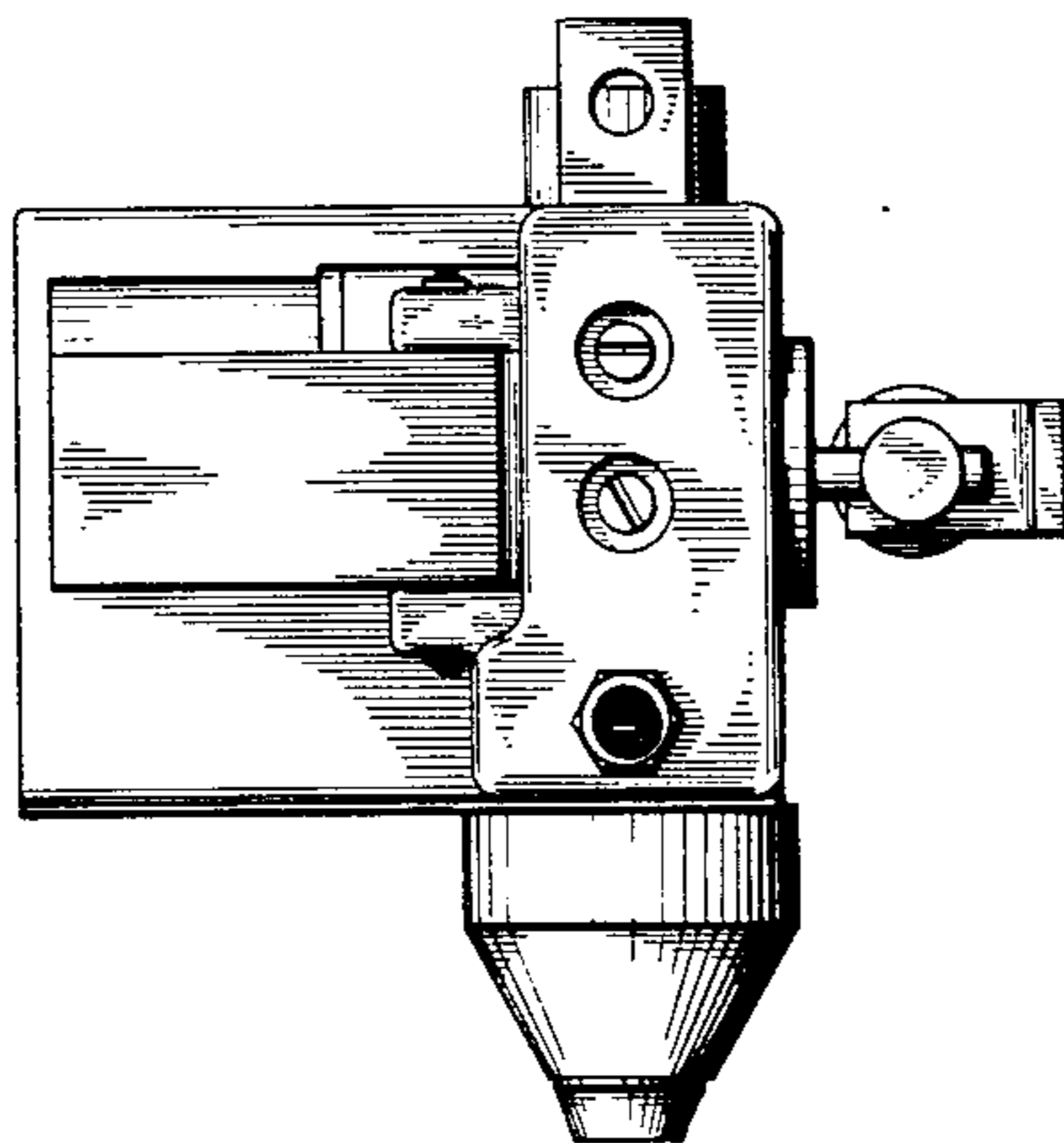
[58] Field of Search D15/144; 219/69 R, 70, 219/69 G

FIG. 1 is a front elevational view of a combined electrode drive and nozzle unit for an automatic air carbon-arc cutting and gouging torch showing our new design; FIG. 2 is a top plan view thereof; FIG. 3 is a rear elevational view thereof; FIG. 4 is a bottom plan view thereof; FIG. 5 is a right side elevational view thereof; FIG. 6 is a left side elevational view thereof.

[56] References Cited

U.S. PATENT DOCUMENTS

D. 210,245 2/1968 Johnson et al. D15/127
3,317,779 5/1967 Henderson .



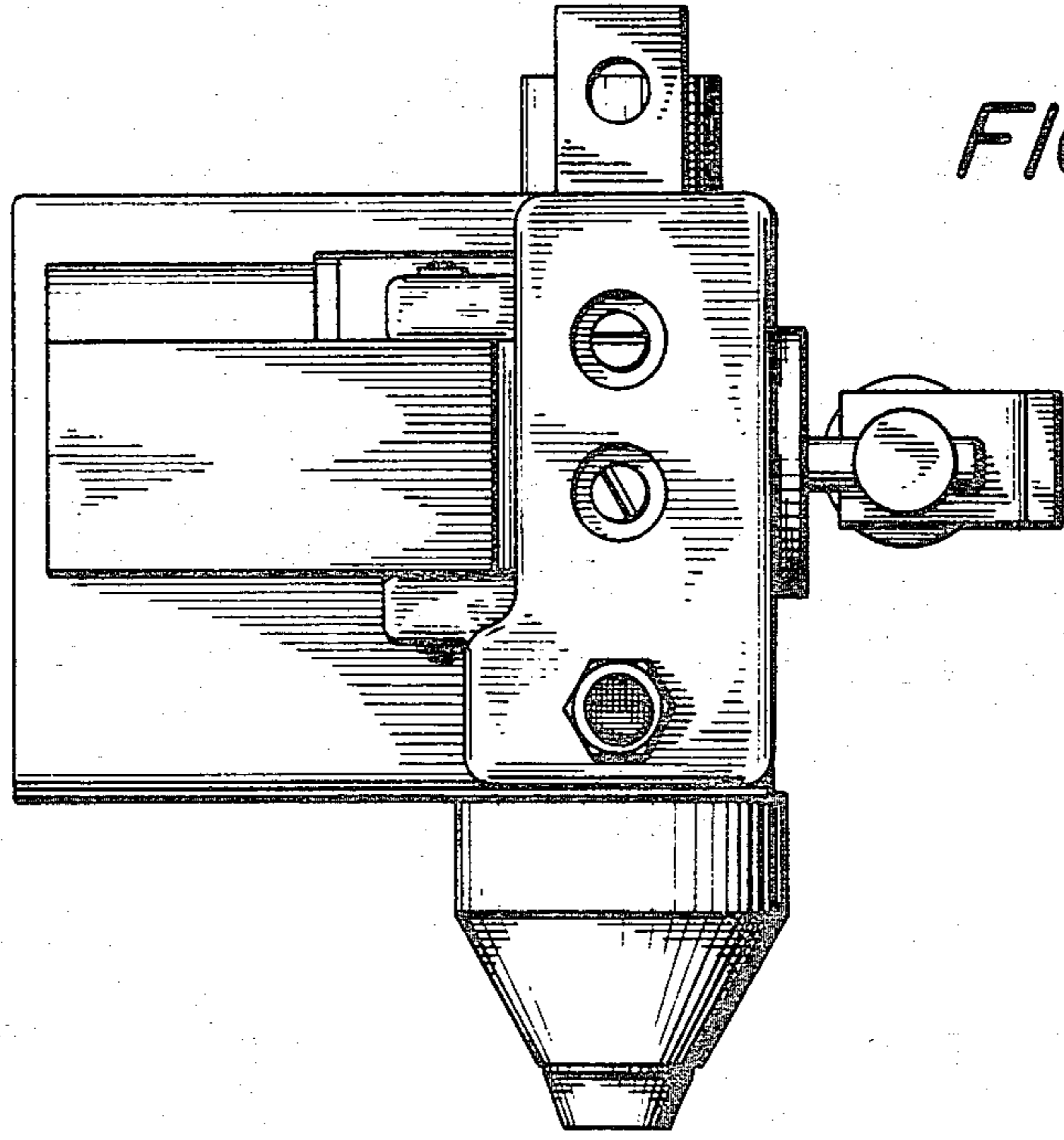


FIG. 2

FIG. 1

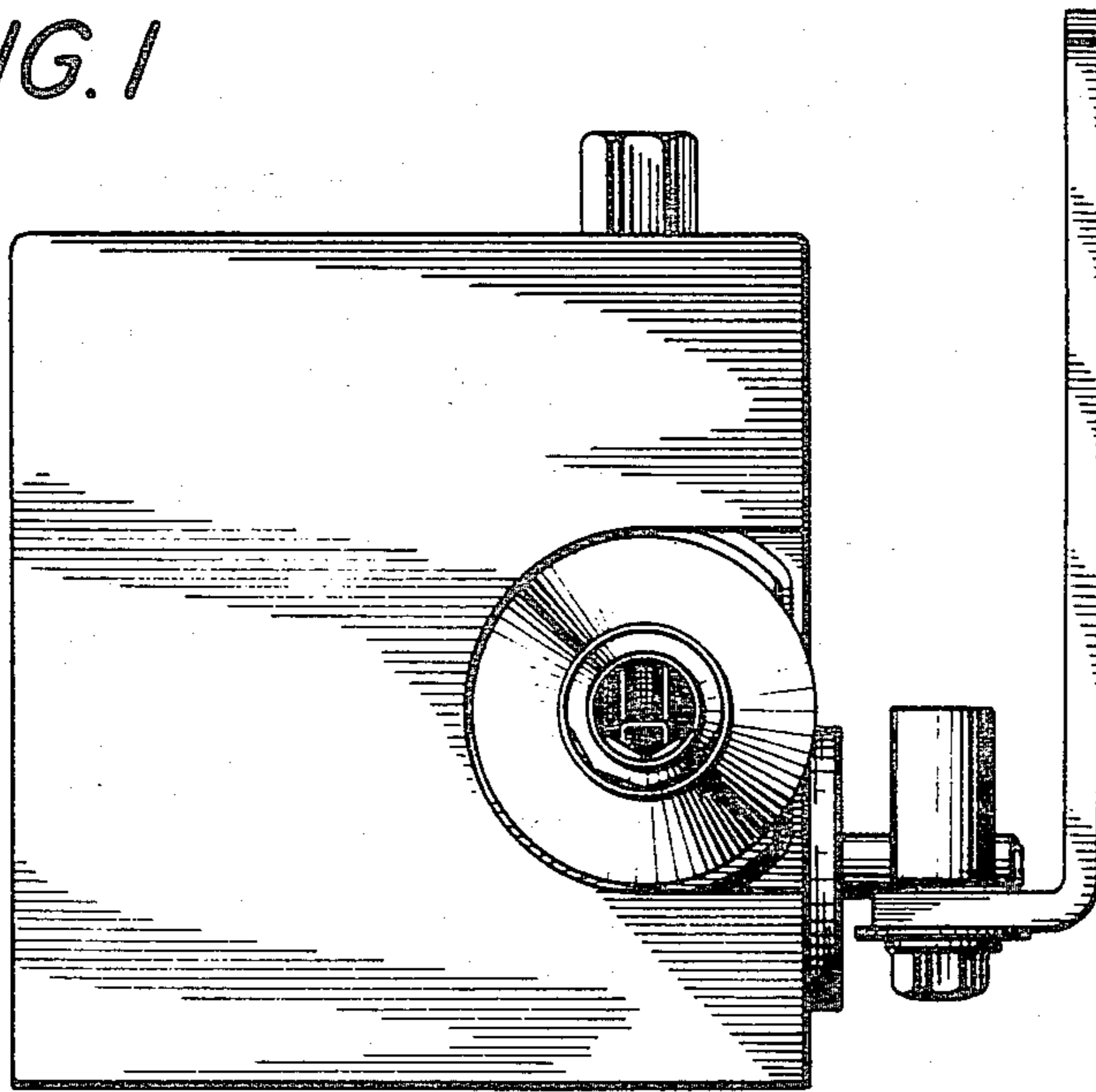


FIG. 3

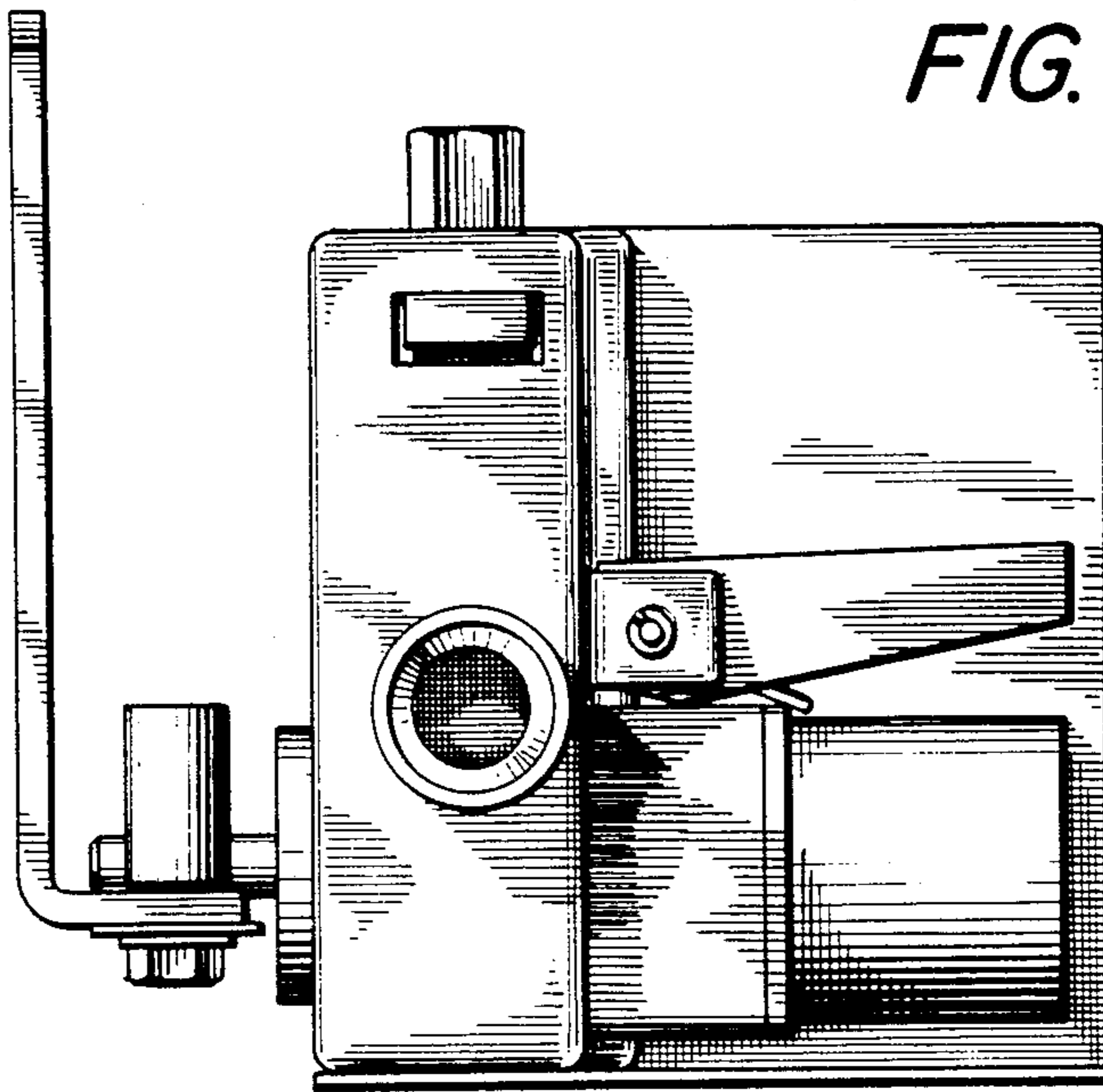


FIG. 4

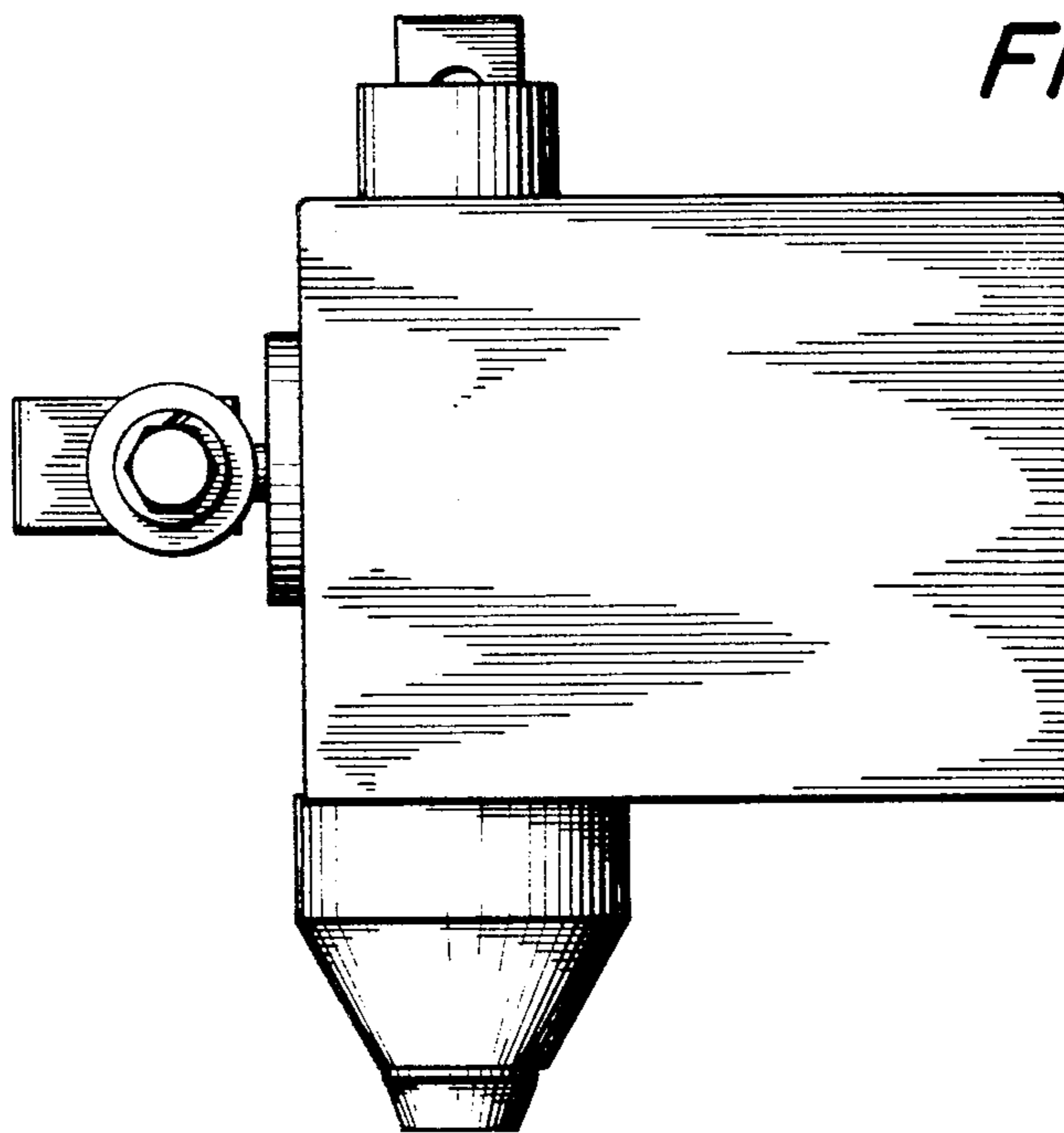


FIG. 5

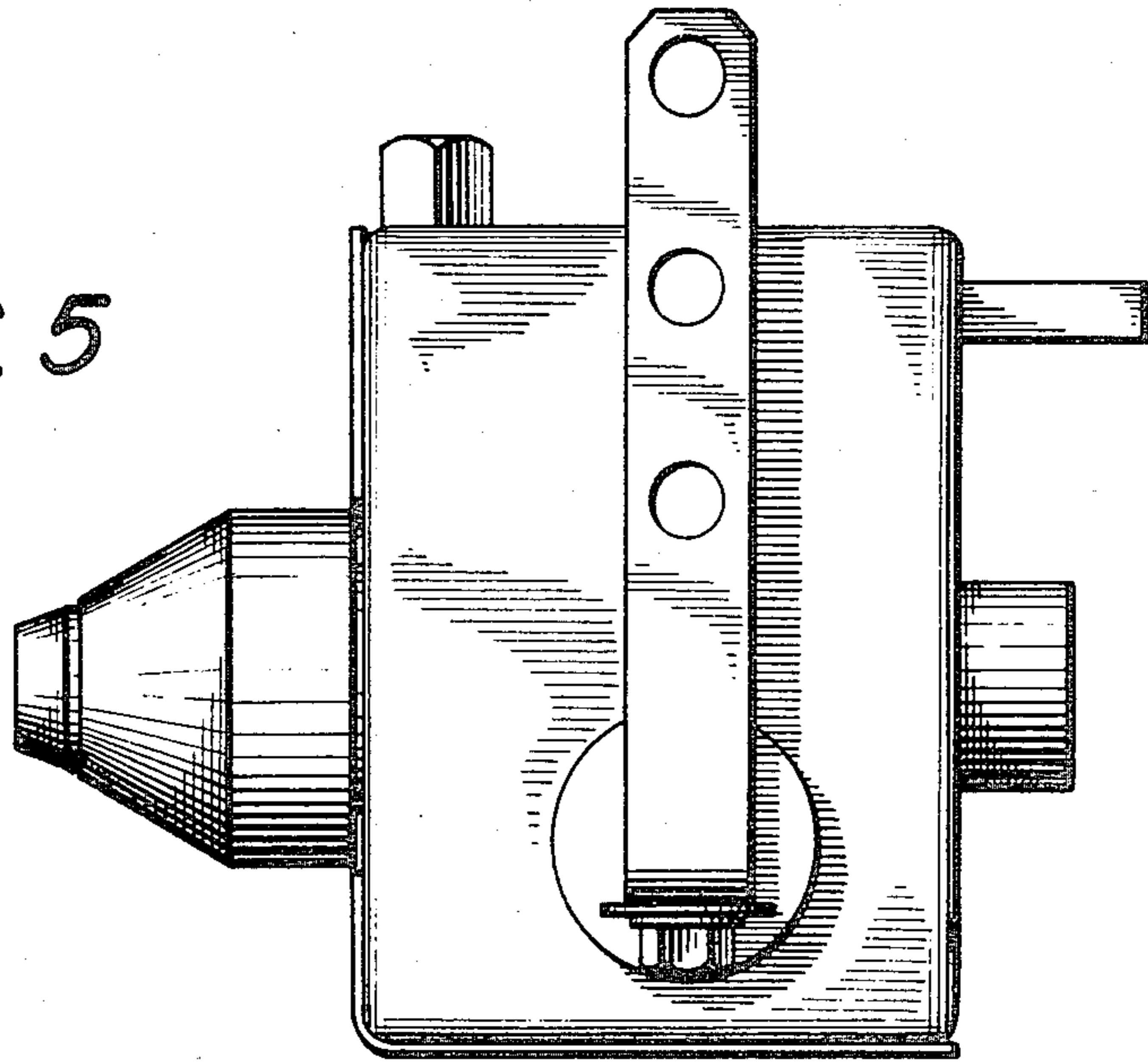


FIG. 6

