

[54] TUBE CUTTER

4,370,140 1/1983 Fegley et al. D15/127

[75] Inventors: Lawson H. Nall, Folsom; Benny T. Hamasaki, Rocklin, both of Calif.

Primary Examiner—B. J. Bullock
Attorney, Agent, or Firm—Bacon & Thomas

[73] Assignee: Tri Tool, Inc., Rancho Cordova, Calif.

[57] CLAIM

The ornamental design for a tube cutter, as shown.

[**] Term: 14 Years

DESCRIPTION

[21] Appl. No.: 461,111

FIG. 1 is a top perspective view of a tube cutter showing my new design;

[22] Filed: Jan. 25, 1983

FIG. 2 is a side elevational view taken from the left of FIG. 1;

[52] U.S. Cl. D15/129; D15/127

FIG. 3 is a front elevational view thereof, the teeth of the gear and the ring beyond are partially shown and understood to repeat uniformly around the body of the tube cutter;

[58] Field of Search D15/127, 129; 83/926 R, 83/452, 454, 456, 462, 464, 581

[56] References Cited

U.S. PATENT DOCUMENTS

3,065,657	11/1962	Thompson	83/581
3,066,564	12/1962	Carpenter	83/464
3,093,023	6/1963	Vail	83/464
4,103,578	8/1978	Ducret	83/464

FIG. 4 is a rear elevational view thereof;

FIG. 5 is a bottom plan view thereof;

FIG. 6 is a top plan view thereof;

FIG. 7 is a side elevational view taken from the right of FIG. 1.

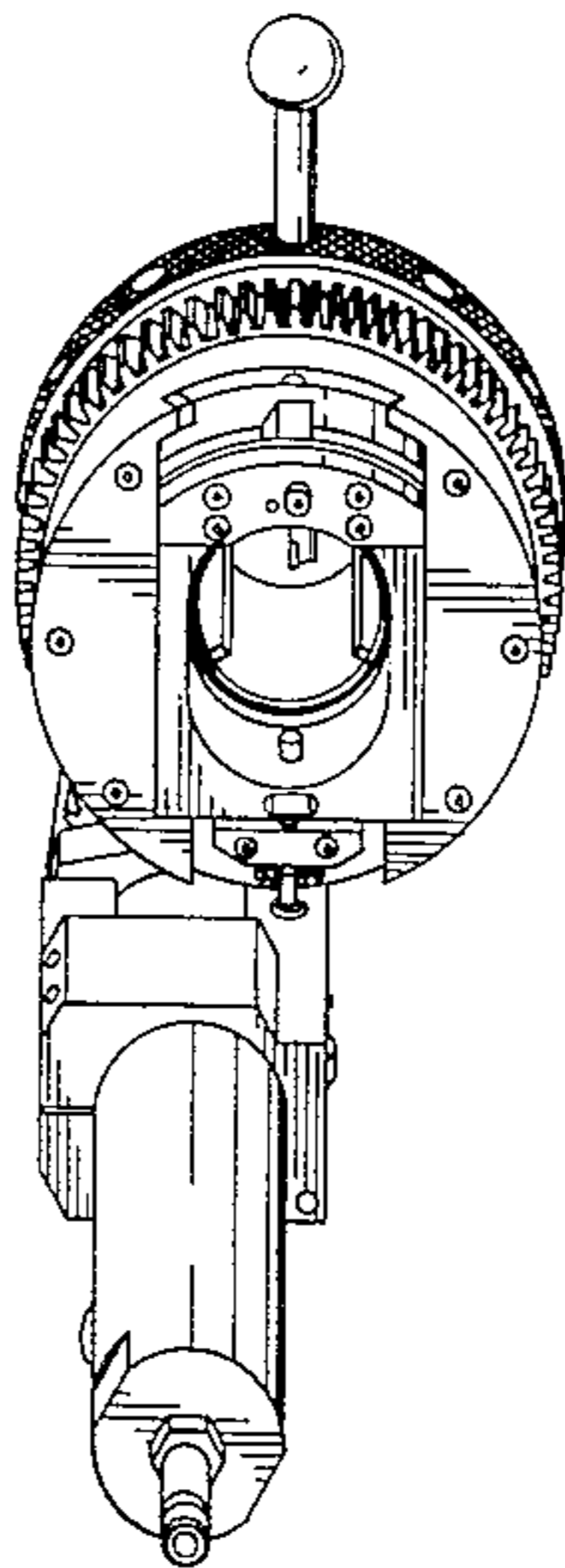


FIG 1

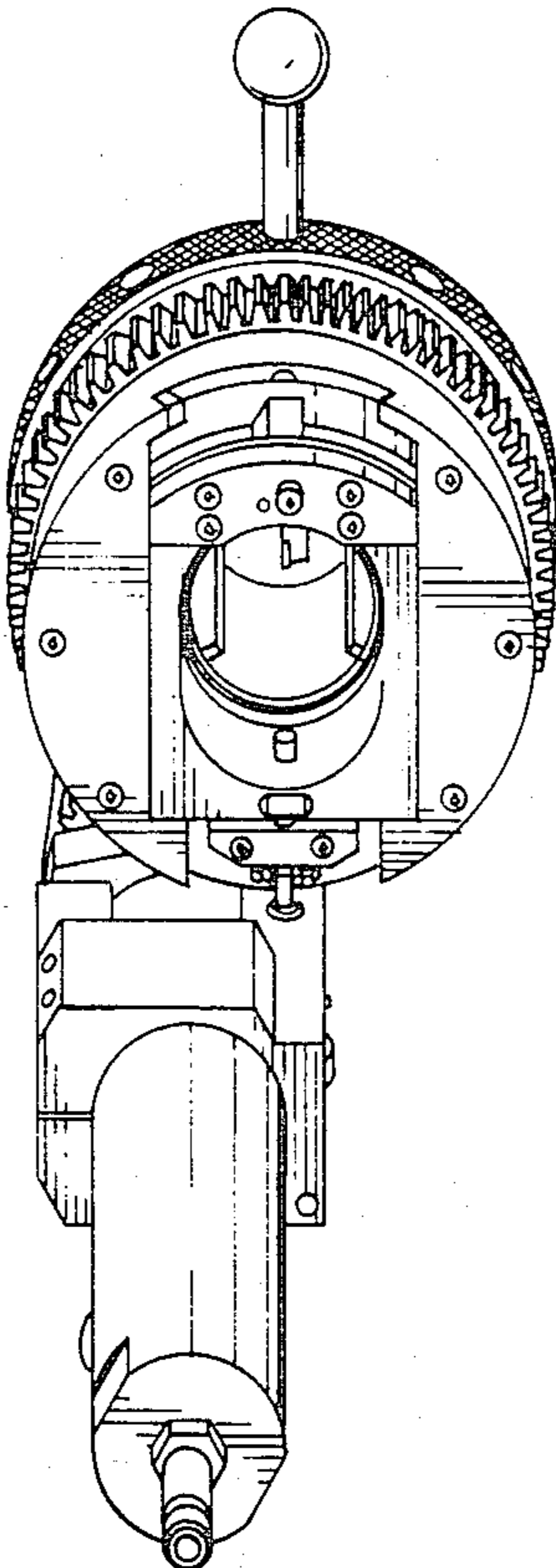


FIG 2

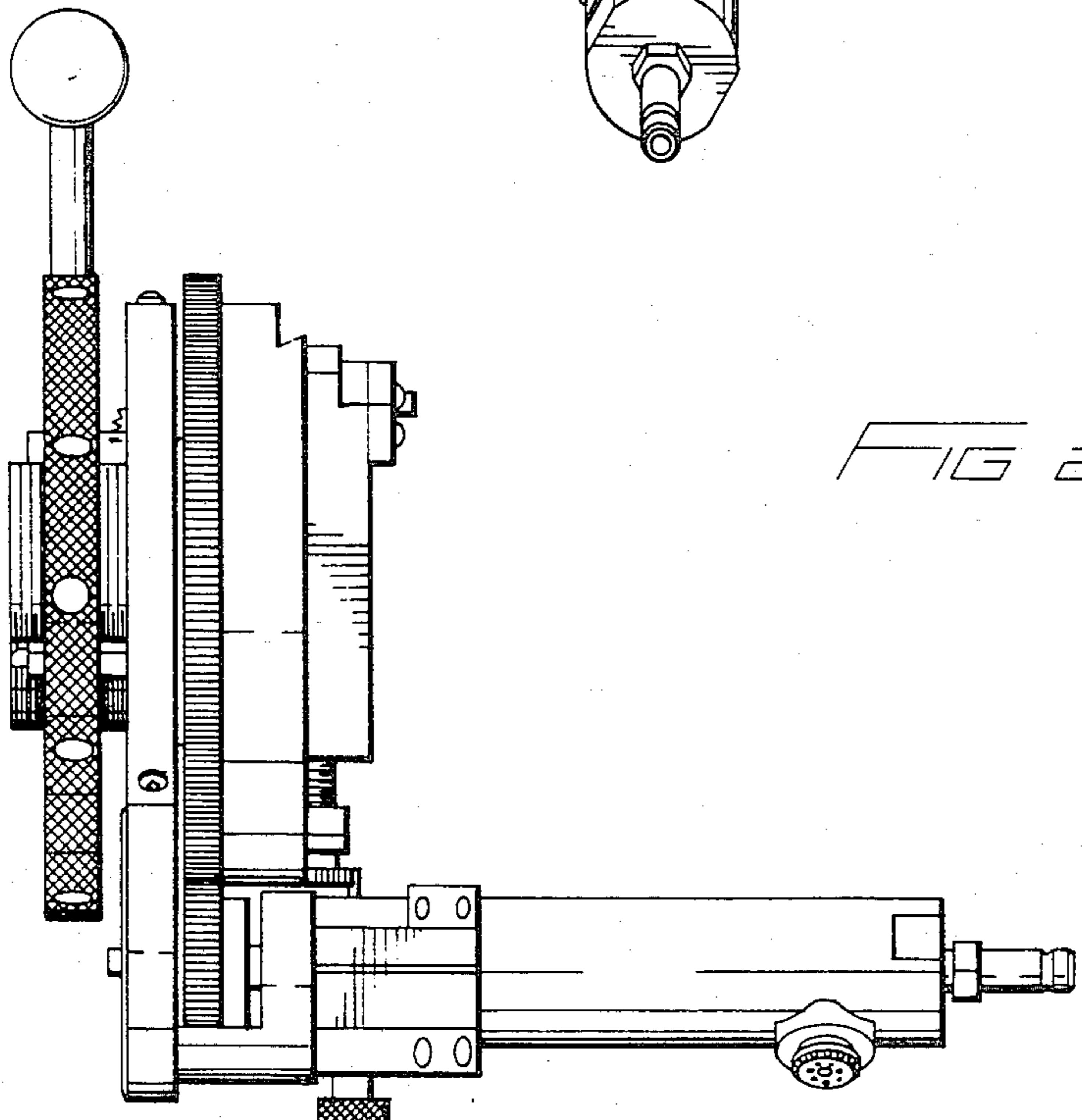


FIG 3

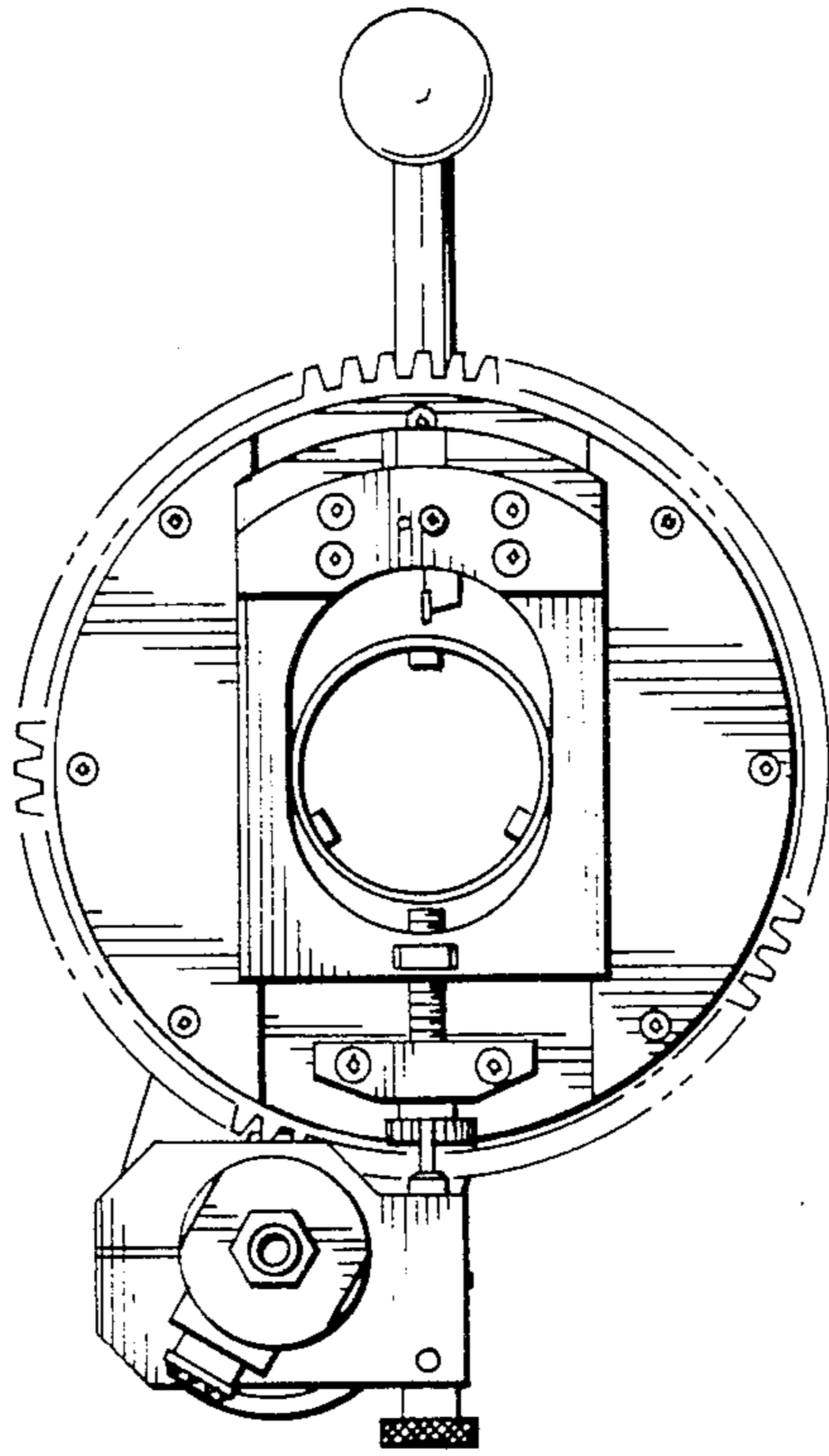


FIG 4

