

[54] TELEPHONE

4,284,855 8/1981 Adams et al. .... D14/56

[76] Inventor: Mordechi Hova, 29 Seaside Dr., Belle Terre, N.Y. 11777

[\*\*] Term: 14 Years

[21] Appl. No.: 499,301

[22] Filed: May 31, 1983

[52] U.S. Cl. .... D14/53; D14/63; D14/60

[58] Field of Search ..... D14/53, 63, 64, 56, D14/59, 60; 179/179, 100 R, 100 C, 100 D, 102

[56] References Cited

U.S. PATENT DOCUMENTS

D. 209,910	1/1968	Tyson	.....	D14/63
D. 234,850	4/1975	Tyson et al.	.....	D14/64
D. 247,491	3/1978	Fukushima et al.	.....	D14/64
D. 255,680	7/1980	Read et al.	.....	D14/60
D. 272,147	1/1984	Coons et al.	.....	D14/58
D. 272,148	10/1982	Bee et al.	.....	D14/63

OTHER PUBLICATIONS

Sounds & Communications, Annual Blue Book, 8-1982; Ad by TSSCO, showing "Select-O-Phone 11".

Primary Examiner—Wallace R. Burke  
Assistant Examiner—Horace B. Fay  
Attorney, Agent, or Firm—Michael I. Kroll

[57] CLAIM

The ornamental design for a telephone, as shown and described.

DESCRIPTION

FIG. 1 is a top and perspective view from above of a telephone showing my new design.

FIG. 2 is a similar perspective view thereof with the handset transceiver spaced above the stand showing the inside of the handset, the side of the handset transceiver and of the stand opposite to those shown are substantially mirror images thereof.

FIG. 3 is a bottom plan view thereof.

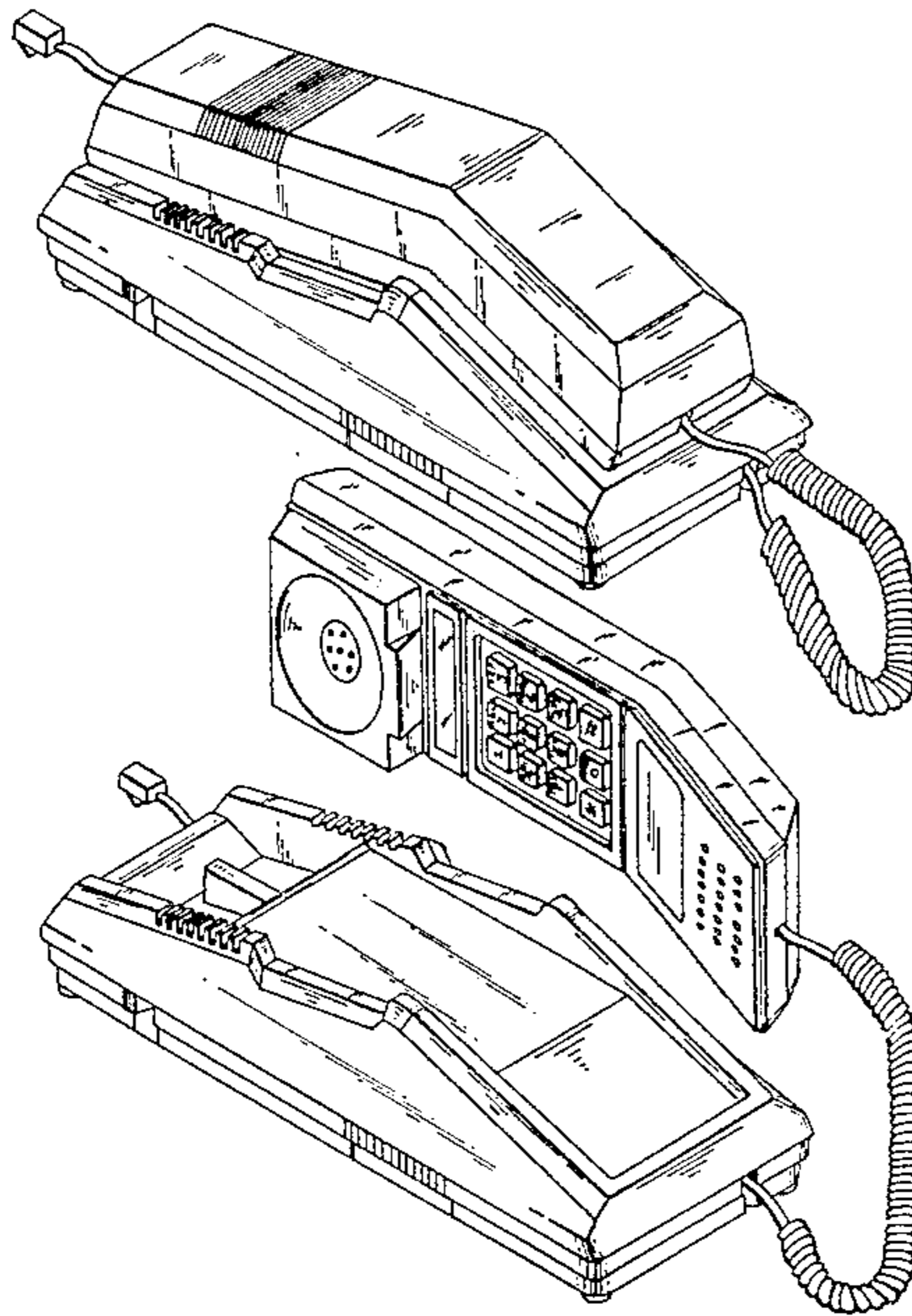


Figure 1

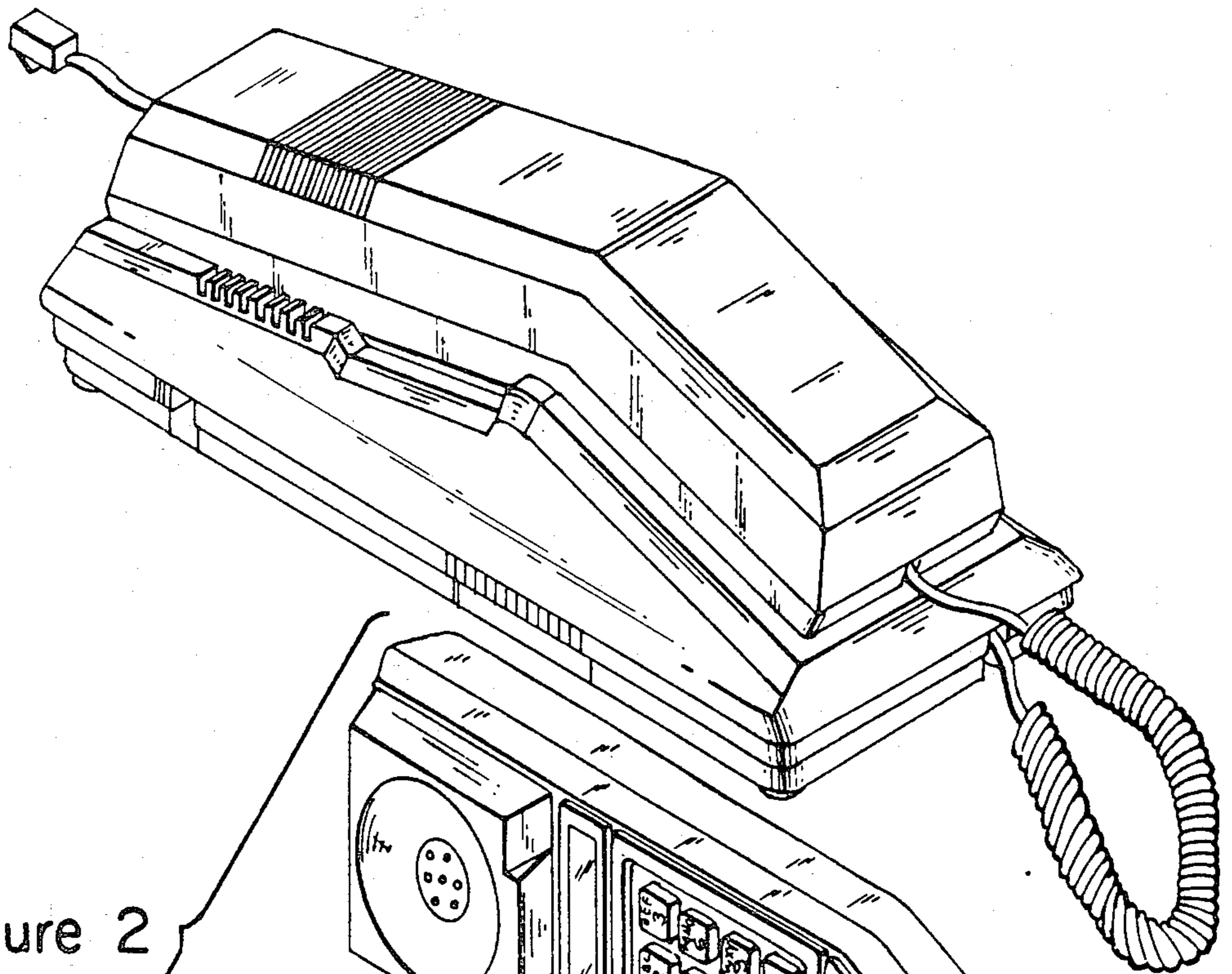


Figure 2

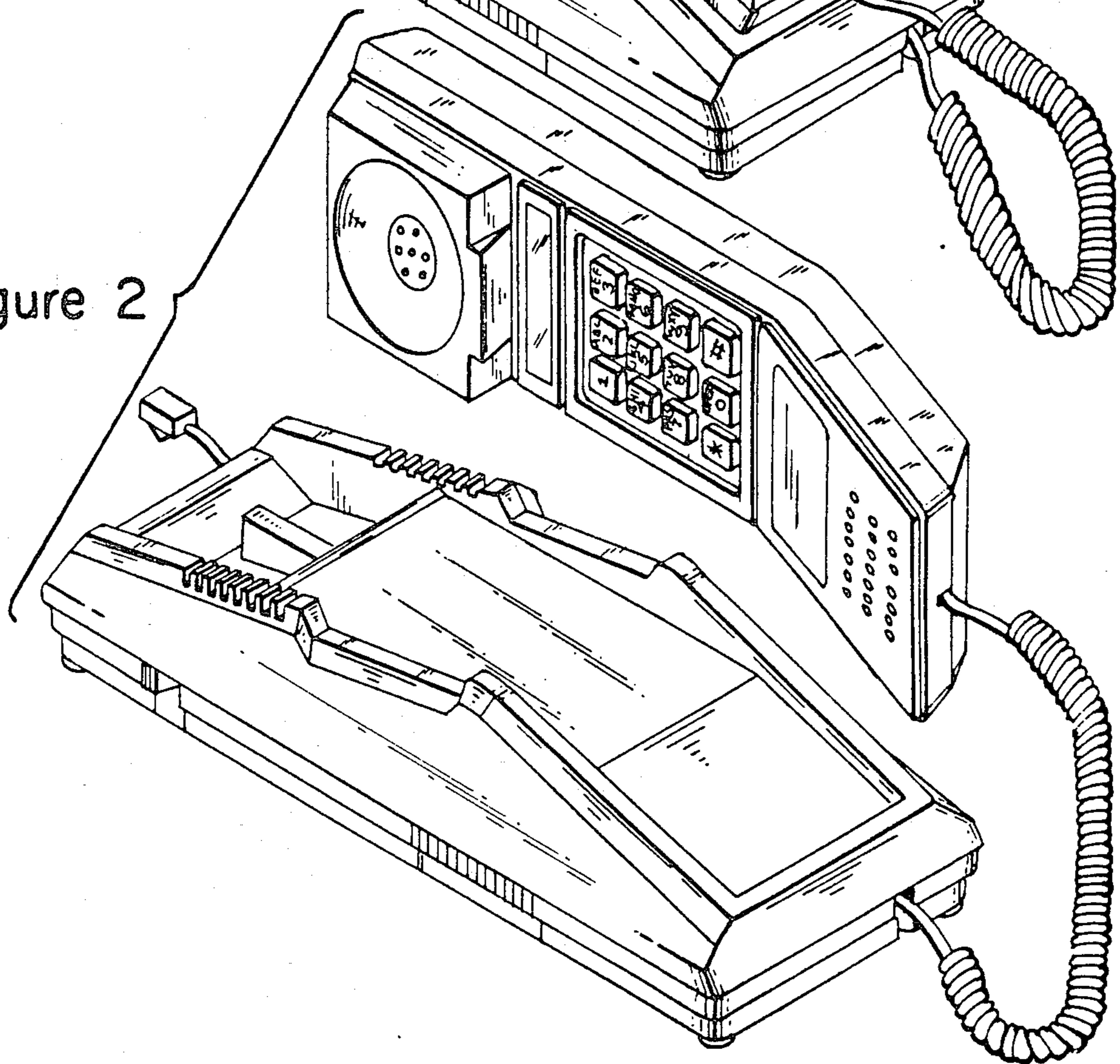


Figure 3

