

[54] LOUDSPEAKER

[75] Inventor: Manabu Kawachi, Tokyo, Japan

[73] Assignee: Pioneer Electronic Corporation, Tokyo, Japan

[**] Term: 14 Years

[21] Appl. No.: 509,075

[22] Filed: Jun. 29, 1983

[30] Foreign Application Priority Data

Jan. 7, 1983 [JP] Japan 58-134

[52] U.S. Cl. D14/30; D14/34; D14/39

[58] Field of Search D14/30, 32-34, D14/37, 39; 179/179

[56] References Cited

U.S. PATENT DOCUMENTS

D. 132,743 6/1942 O'Neil D14/32

D. 276,153 10/1984 Iijima D14/30

D. 276,227 11/1984 Nakamura D14/34 X

OTHER PUBLICATIONS

1977 *High Fidelity's Buying Guide to Speaker Systems*, p. 56, EES Tempest Lab Series 1 front cover.

"Pioneer Car Stereo Systems" Catalog, ©'80, p. 52, TS-100 Speaker.

Primary Examiner—Jane E. Corrigan
Attorney, Agent, or Firm—Sughrue, Mion, Zinn, Macpeak and Seas

CLAIM

[57] The ornamental design for a loudspeaker, as shown.

DESCRIPTION

FIG. 1 is a front elevational view of a loudspeaker showing my new design;

FIG. 2 is a rear elevational view thereof;

FIG. 3 is a right side elevational view thereof;

FIG. 4 is a left side elevational view thereof;

FIG. 5 is a top plan view thereof;

FIG. 6 is a bottom plan view thereof; and

FIG. 7 is a front, bottom and left side perspective view thereof.

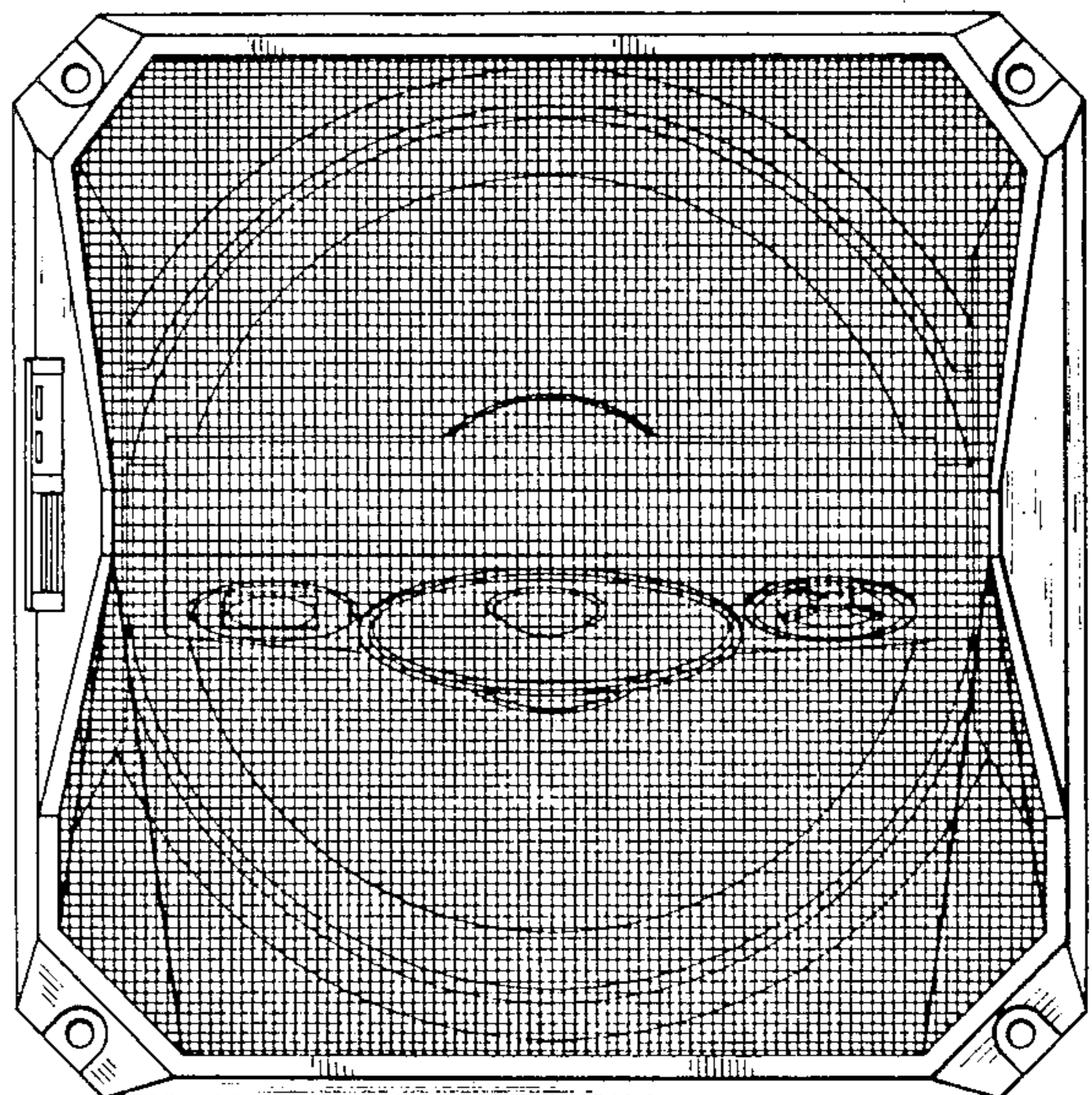
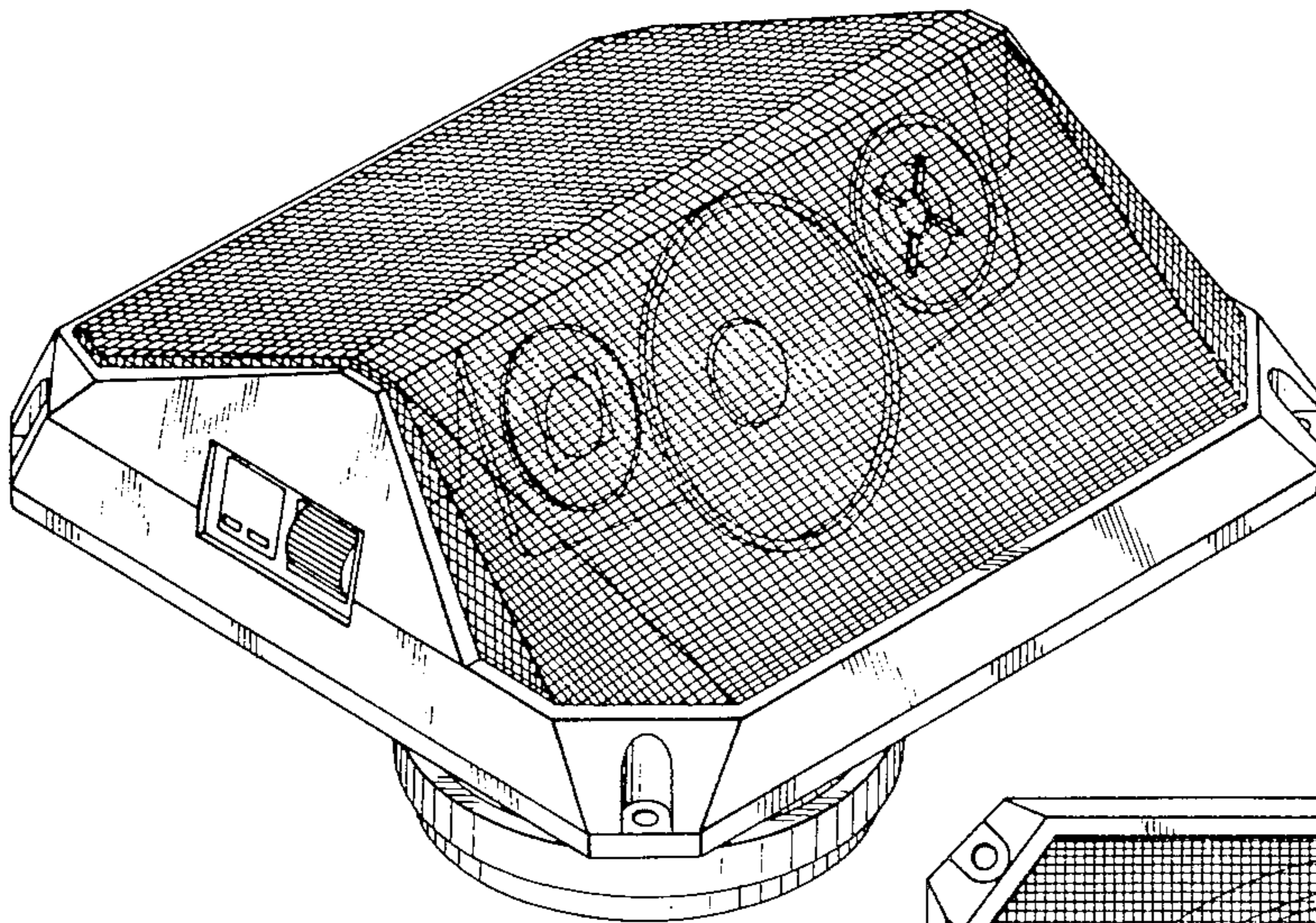


FIG. 1

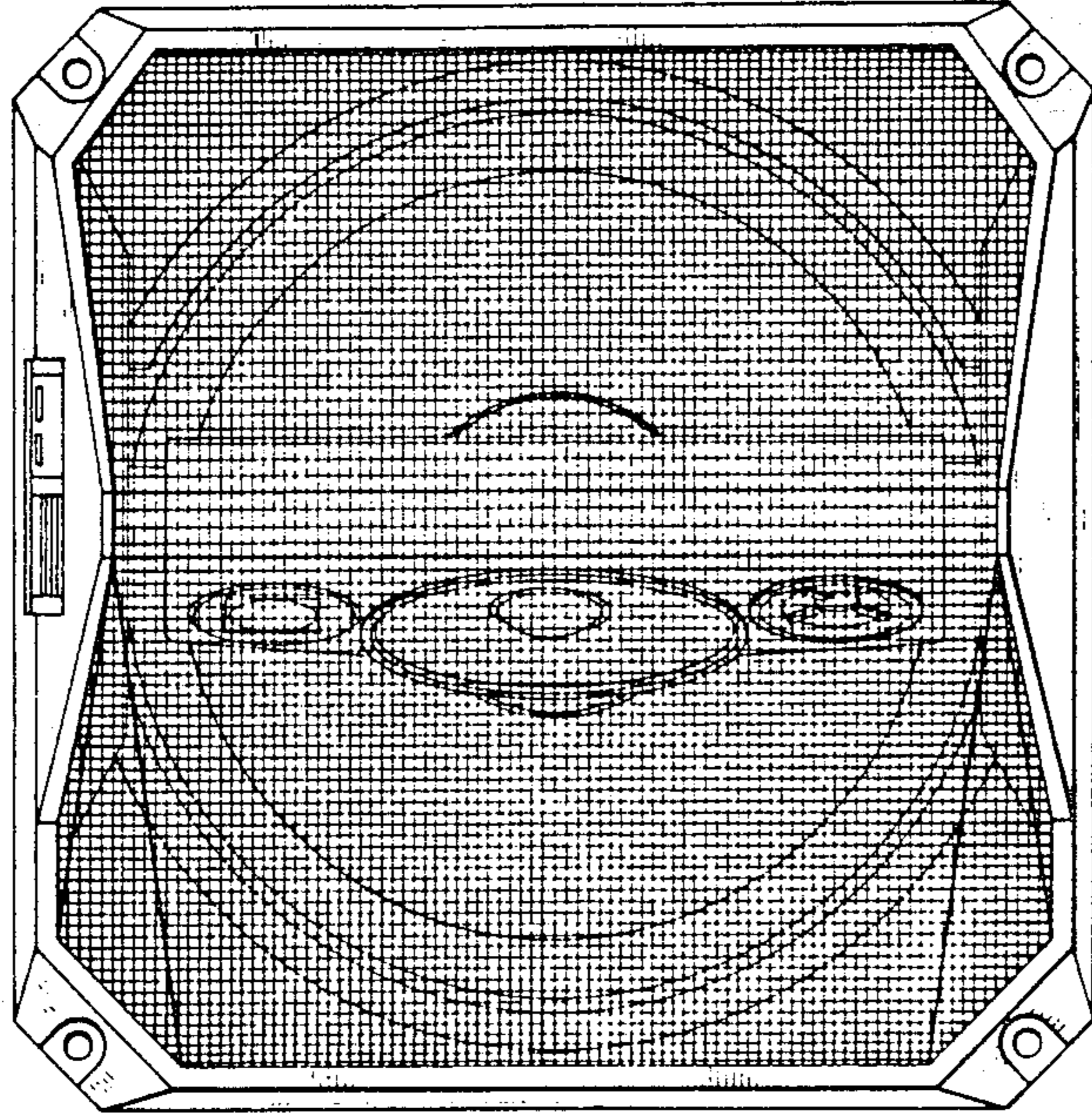


FIG. 2

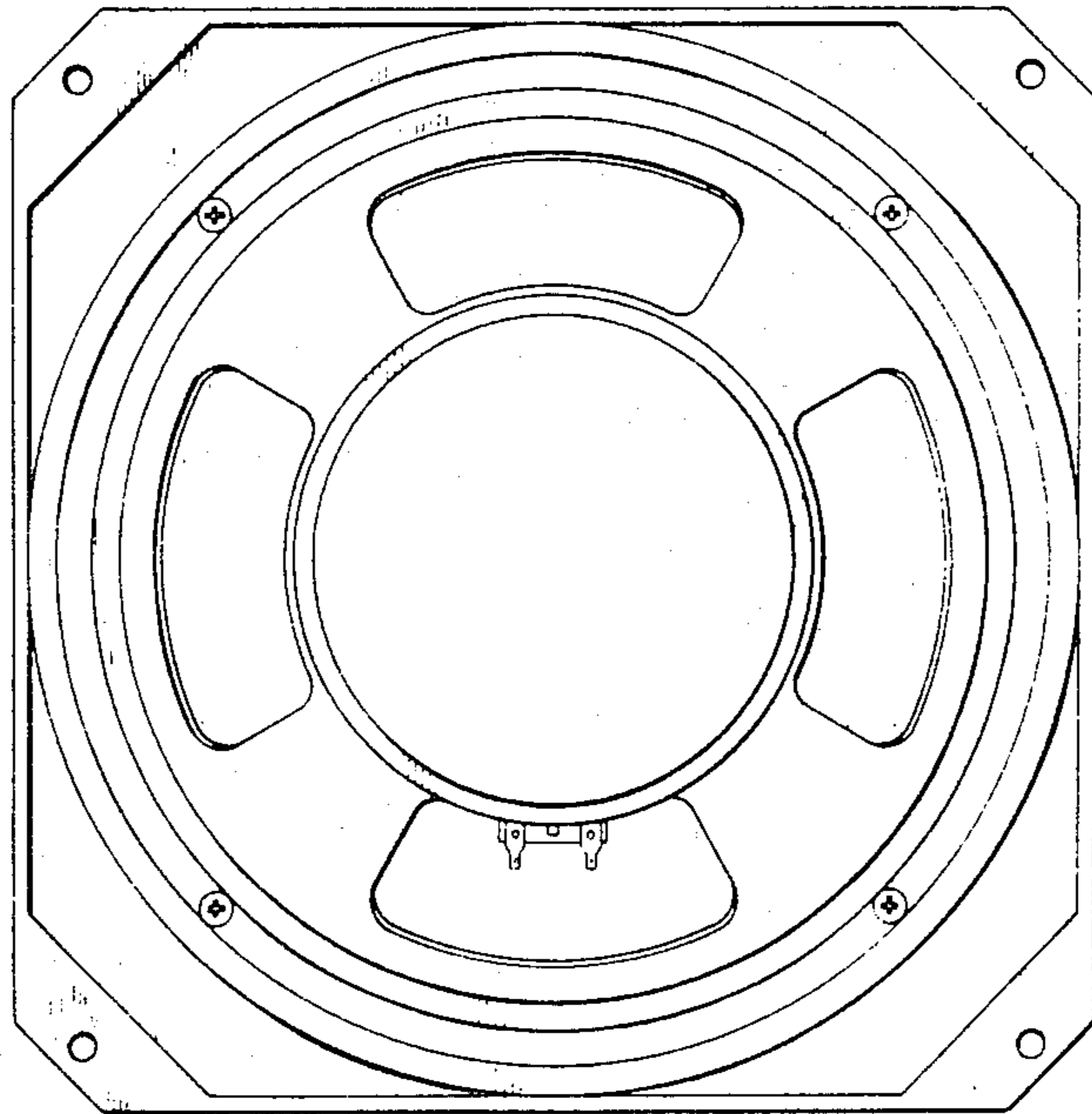


FIG. 3

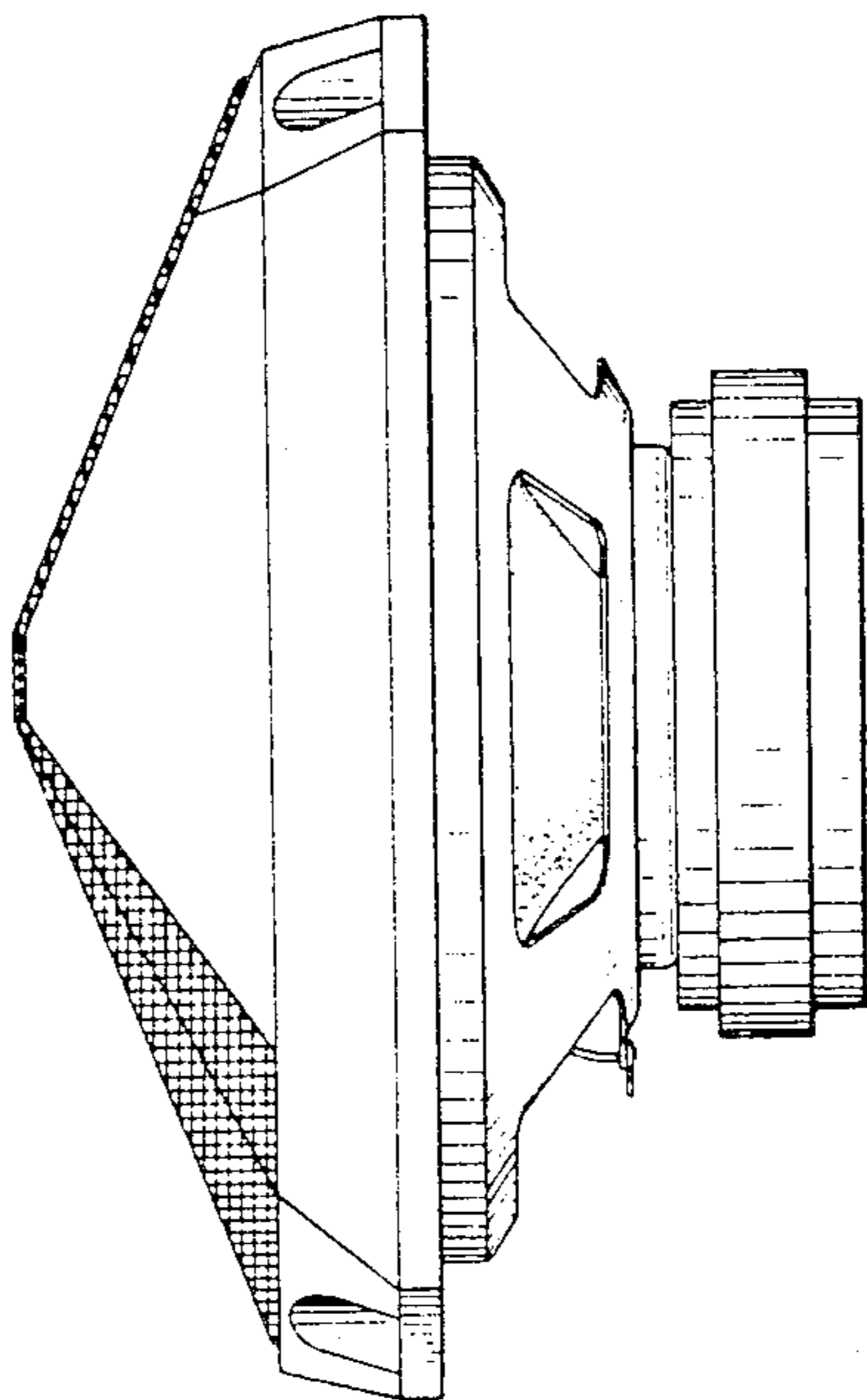


FIG. 4

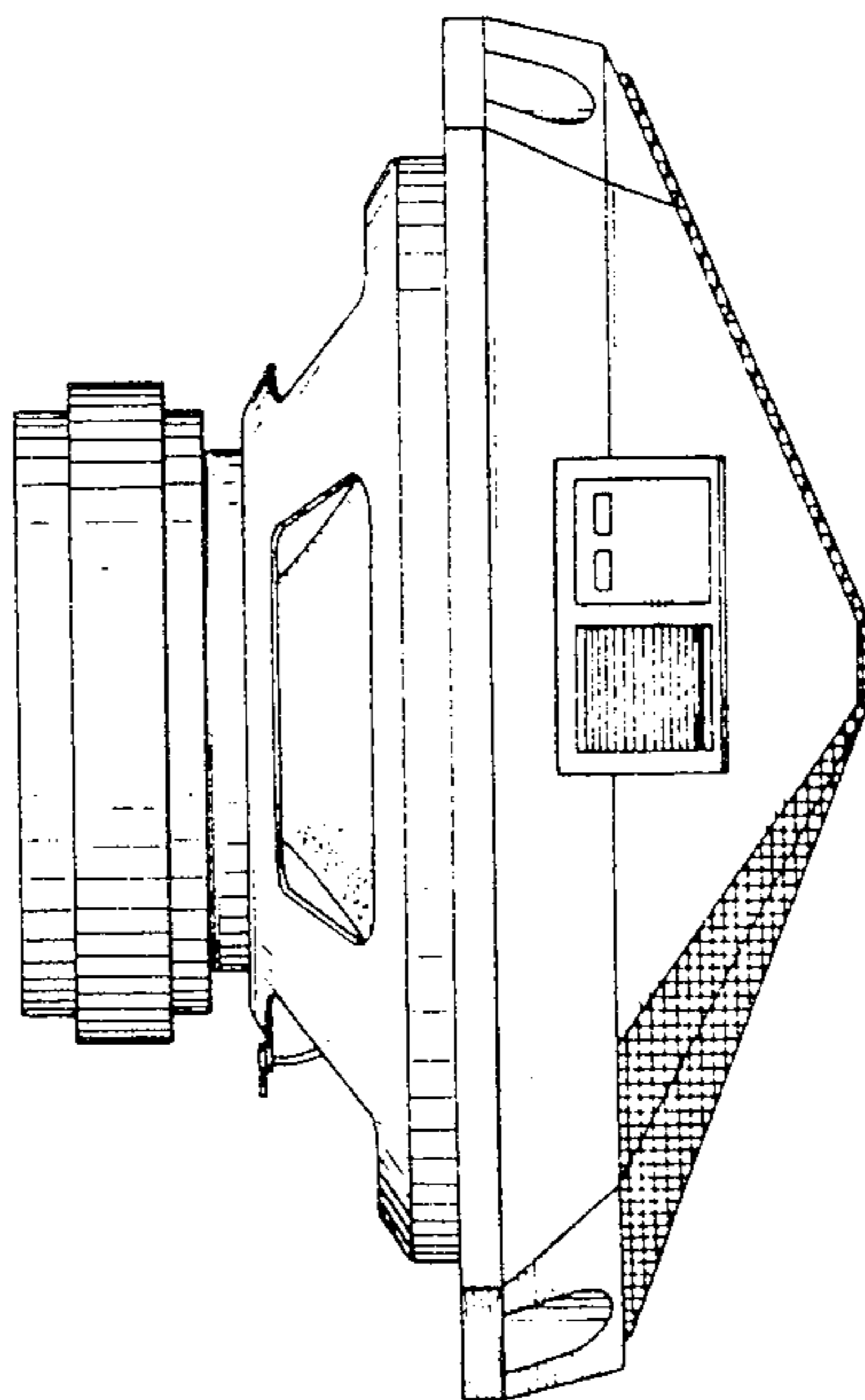


FIG. 5

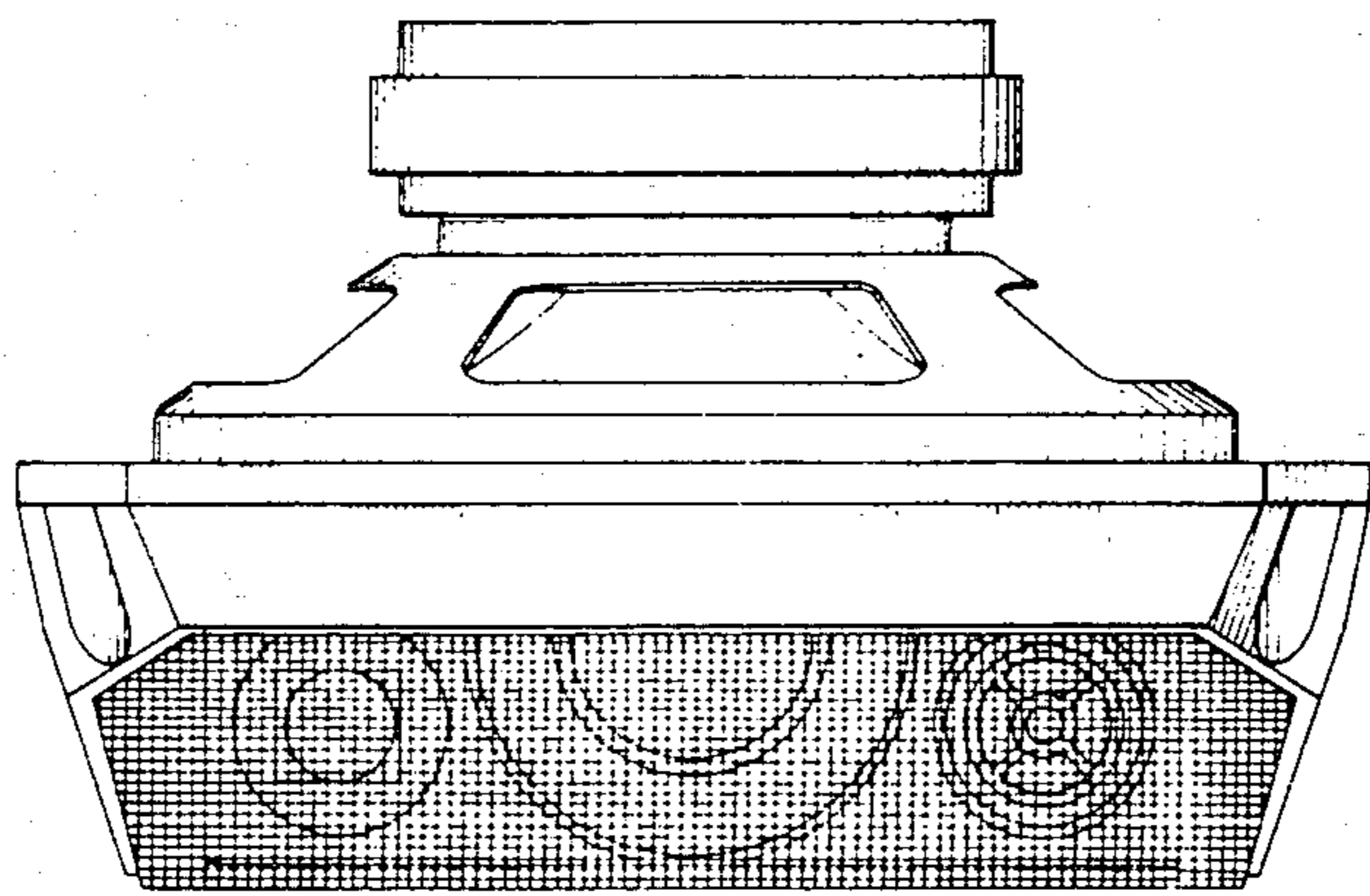


FIG. 6

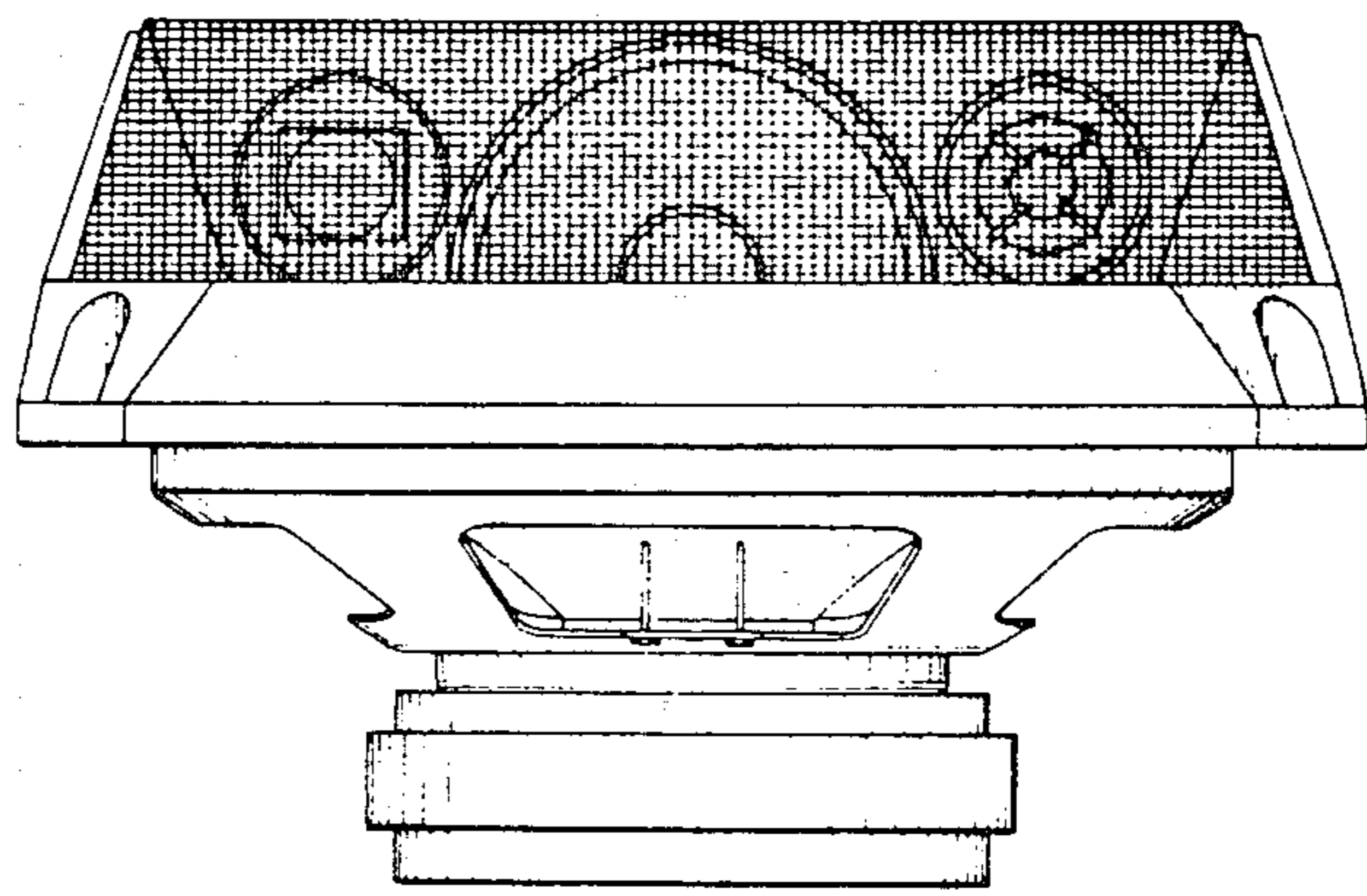


FIG. 7

