

United States Patent [19]

Givler

[11] Patent Number: **Des. 281,240**

[45] Date of Patent: **** Nov. 5, 1985**

[54] **HOUSING FOR A THERMOSTATIC SWITCH**

[75] Inventor: **Omar Givler**, North Canton, Ohio

[73] Assignee: **Portage Electric Products, Inc.**,
North Canton, Ohio

[**] Term: **14 Years**

[21] Appl. No.: **475,720**

[22] Filed: **Mar. 16, 1983**

[52] U.S. Cl. **D13/34; D10/60**

[58] Field of Search **D10/60; 337/102, 105,
337/107, 109; D13/32, 34**

[56] **References Cited**

U.S. PATENT DOCUMENTS

4,015,229 3/1977 Senor et al. 337/107
4,136,323 1/1979 D'Entremont et al. 337/107
4,224,591 9/1980 Senor 337/102 X
4,237,510 12/1980 Thompson, Jr. et al. 337/102 X

4,339,423 8/1983 Nield 337/102
4,476,452 10/1984 D'Entremont 337/107 X

Primary Examiner—Bruce W. Dunkins

Assistant Examiner—Terry Pfeffer

Attorney, Agent, or Firm—McAulay, Fields, Fisher,
Goldstein & Nissen

[57] **CLAIM**

The ornamental design for housing for a thermostatic switch, substantially as shown and described.

DESCRIPTION

FIG. 1 is a top, front, left side perspective view of a housing for a thermostatic switch showing my new design;

FIG. 2 is a top plan view thereof;

FIG. 3 is a right side elevation thereof;

FIG. 4 is a bottom plan view thereof;

FIG. 5 is a rear elevation thereof;

FIG. 6 is a front elevation thereof.

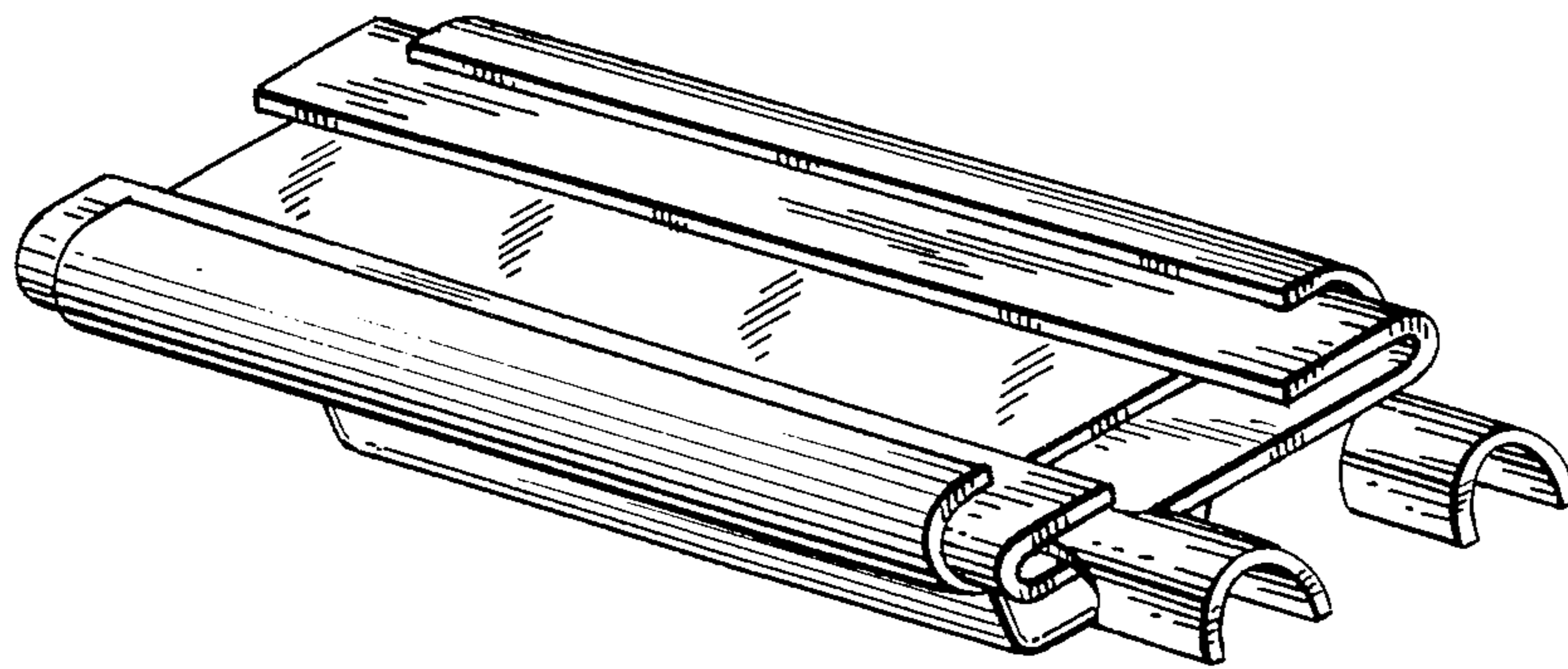


FIG. 1

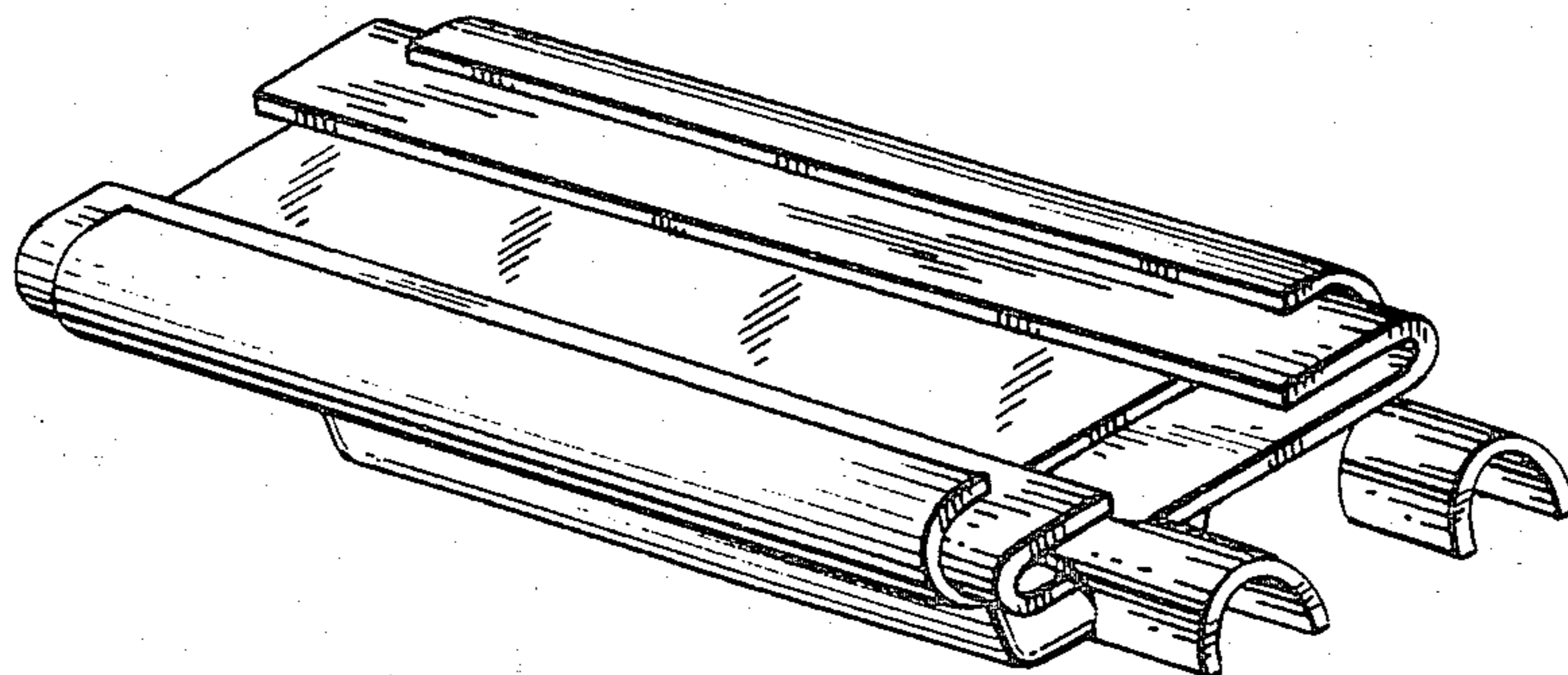


FIG. 2



FIG. 3

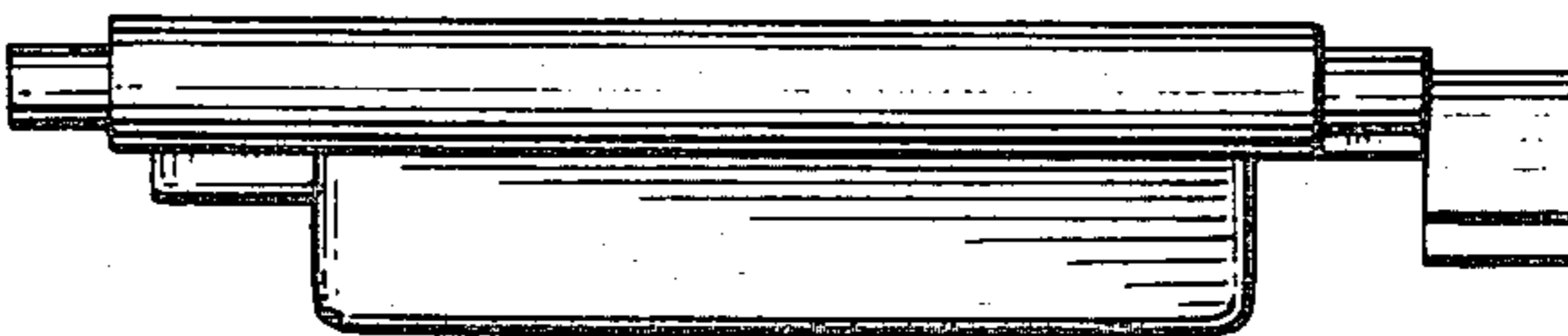


FIG. 4

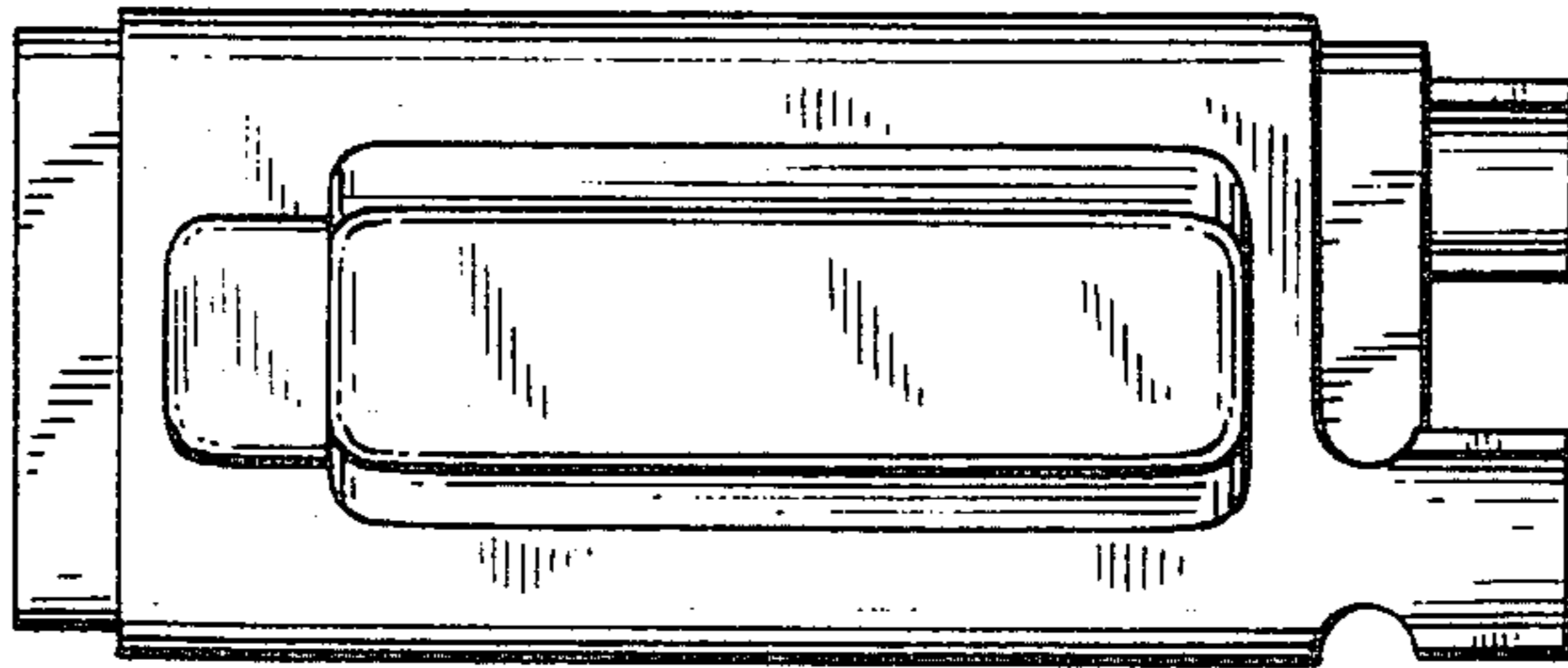


FIG. 5

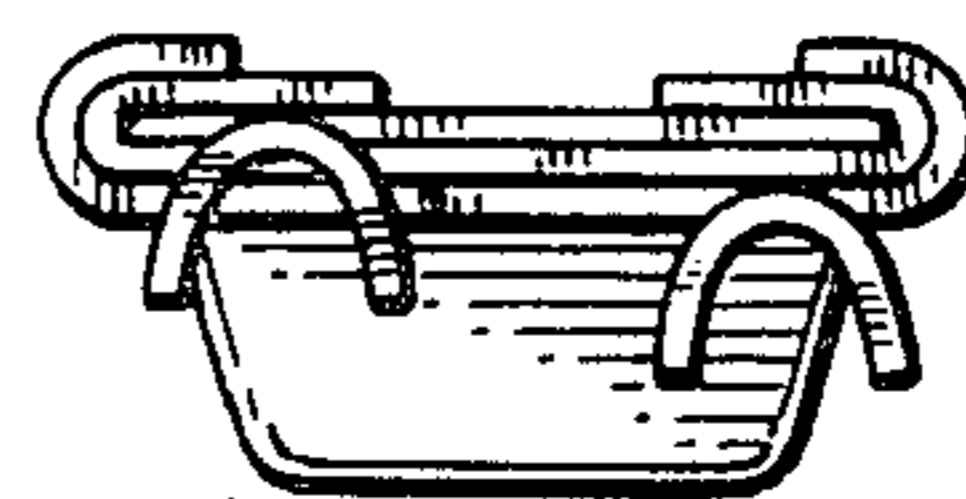


FIG. 6