

[54] **STARTER MOTOR FOR AN ENGINE**

[75] **Inventor: Julius J. Stevens, Fort Deposit, Ala.**

[73] **Assignee: Teledyne Industries, Inc., Los Angeles, Calif.**

[\*\*] **Term: 14 Years**

[21] **Appl. No.: 462,345**

[22] **Filed: Jan. 31, 1983**

[52] **U.S. Cl. .... D15/5**

[58] **Field of Search ..... D15/5; D13/2; 290/48, 290/DIG. 1, DIG. 3, DIG. 11**

1,502,018 7/1924 Chilton ..... 290/48  
 1,719,299 7/1929 Lansing ..... 290/48  
 4,020,812 5/1977 Hayward ..... D15/5

*Primary Examiner*—Wallace R. Burke  
*Assistant Examiner*—Lynn Wilder  
*Attorney, Agent, or Firm*—Gifford, VanOphem, Sheridan, Sprinkle & Nabozny

[57] **CLAIM**

The ornamental design for a starter motor for an engine, as shown and described.

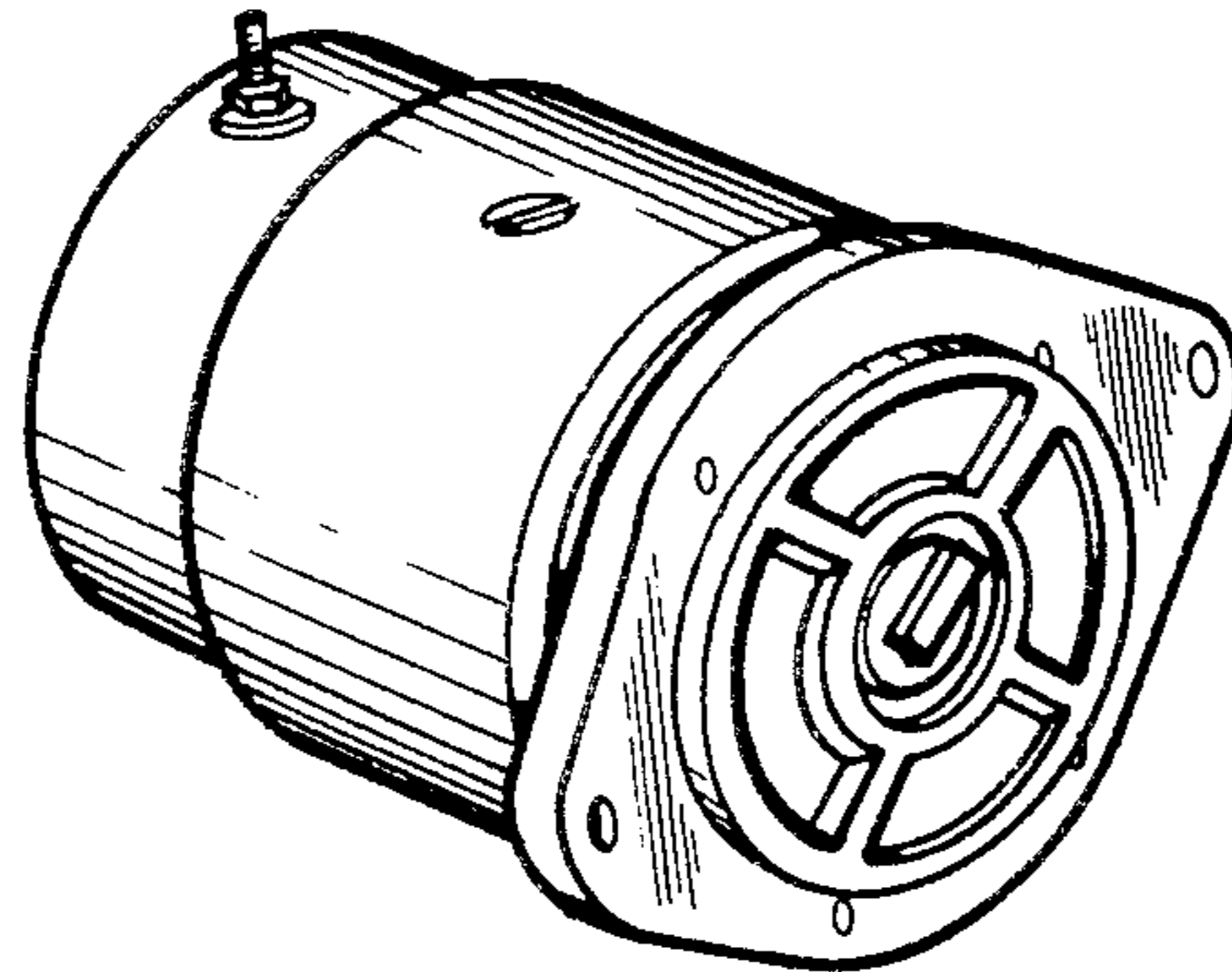
**DESCRIPTION**

FIG. 1 is a perspective view of a starter motor for an engine showing my new design;  
 FIG. 2 is a top plan view thereof, the bottom being a mirror image;  
 FIG. 3 is a side elevational view thereof, the opposite side being a mirror image;  
 FIG. 4 is a front end elevational view thereof; and  
 FIG. 5 is a rear end elevational view thereof.

[56] **References Cited**

**U.S. PATENT DOCUMENTS**

D. 127,705 6/1941 Heintz ..... D13/2  
 D. 180,719 7/1957 McKnight ..... D13/2  
 D. 181,023 9/1957 Rhoades ..... D13/2  
 D. 239,119 3/1976 Dorsey ..... D13/2



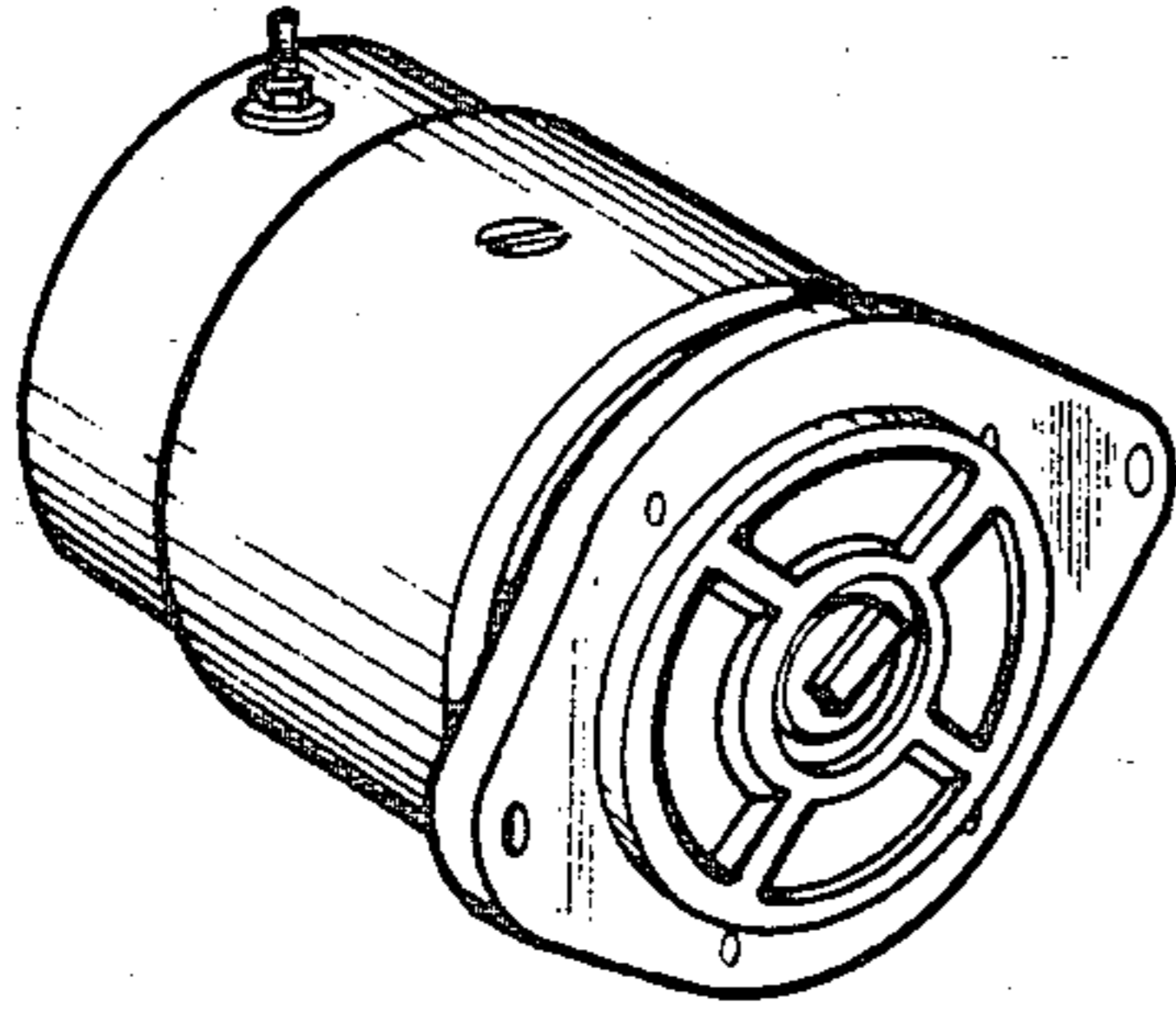


FIG-1

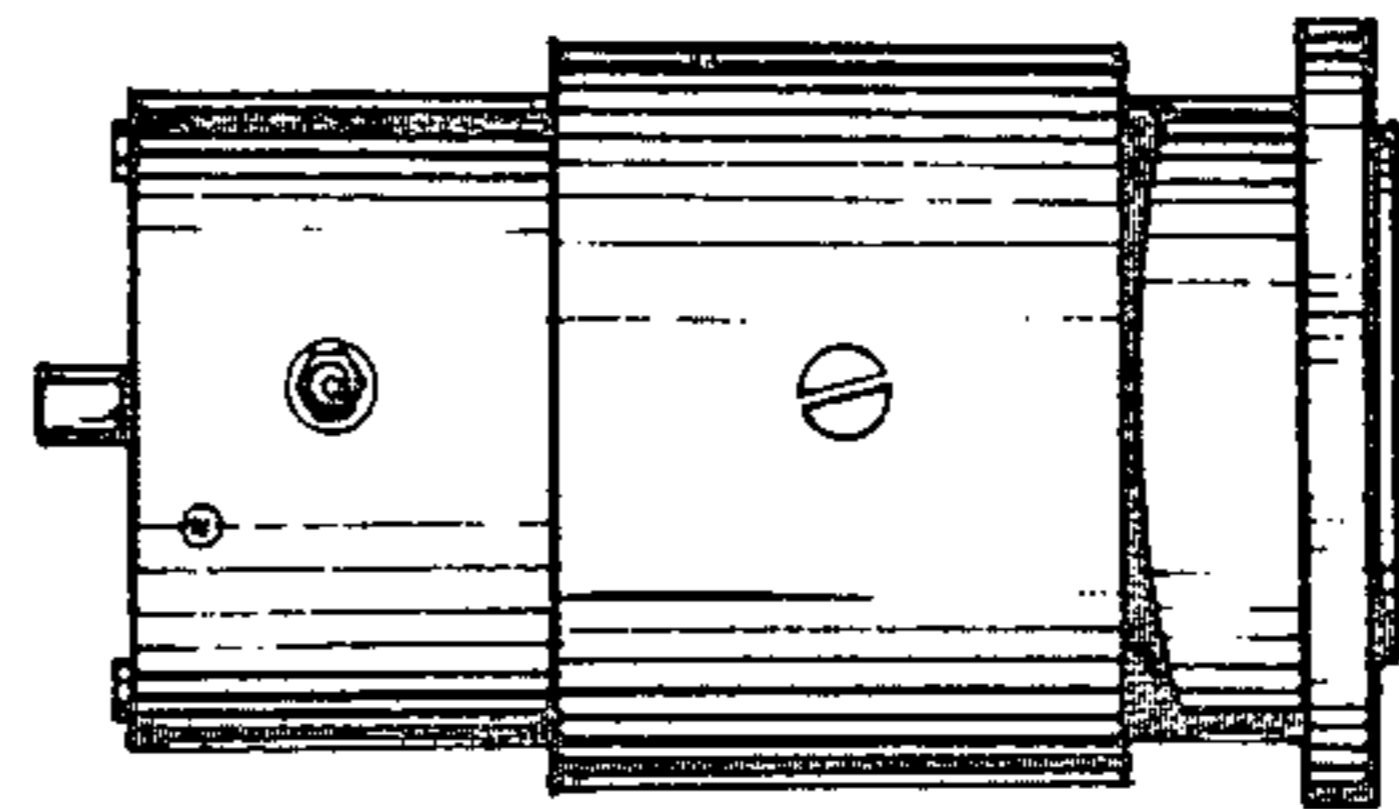


FIG-2

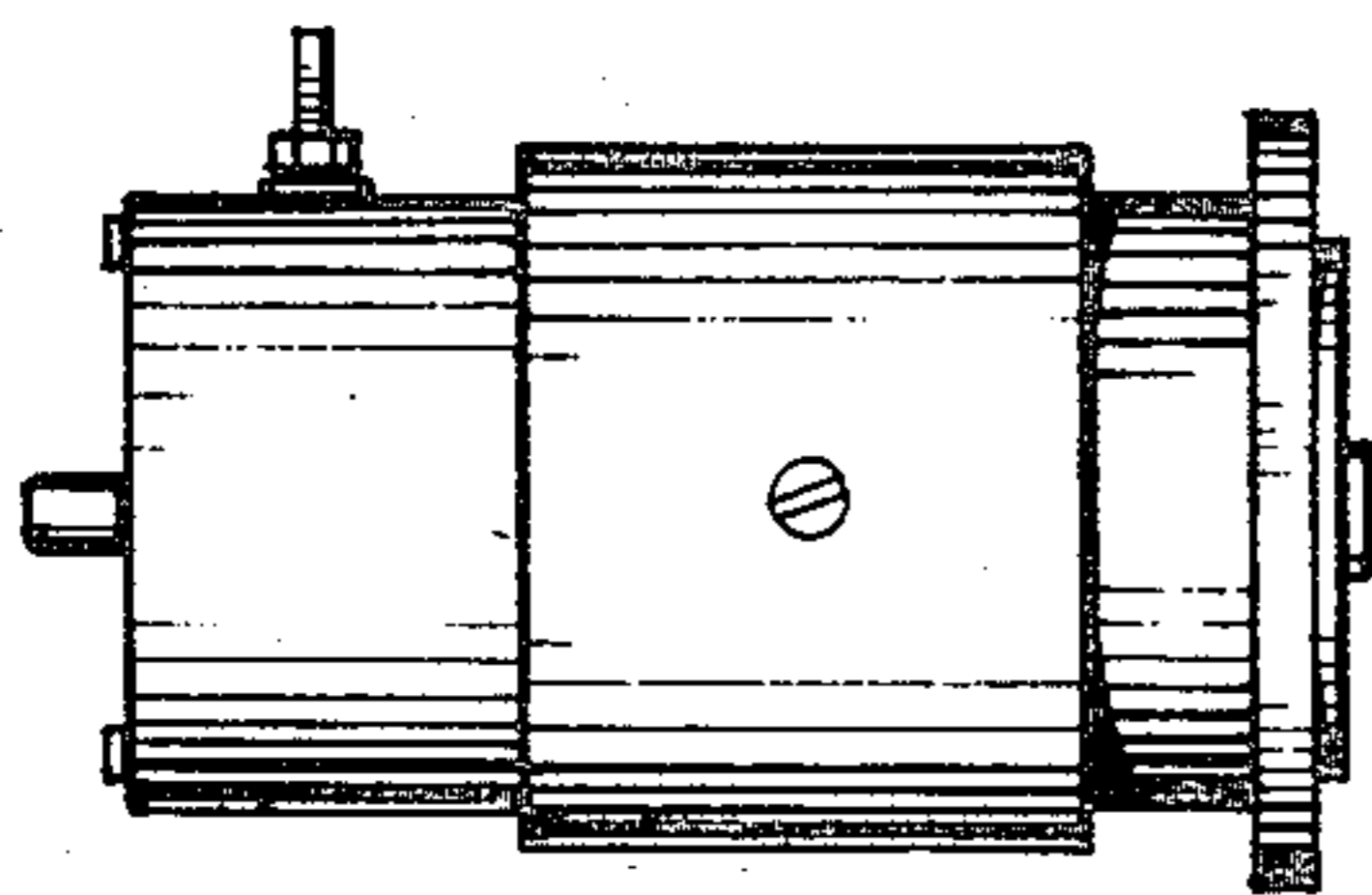


FIG-3

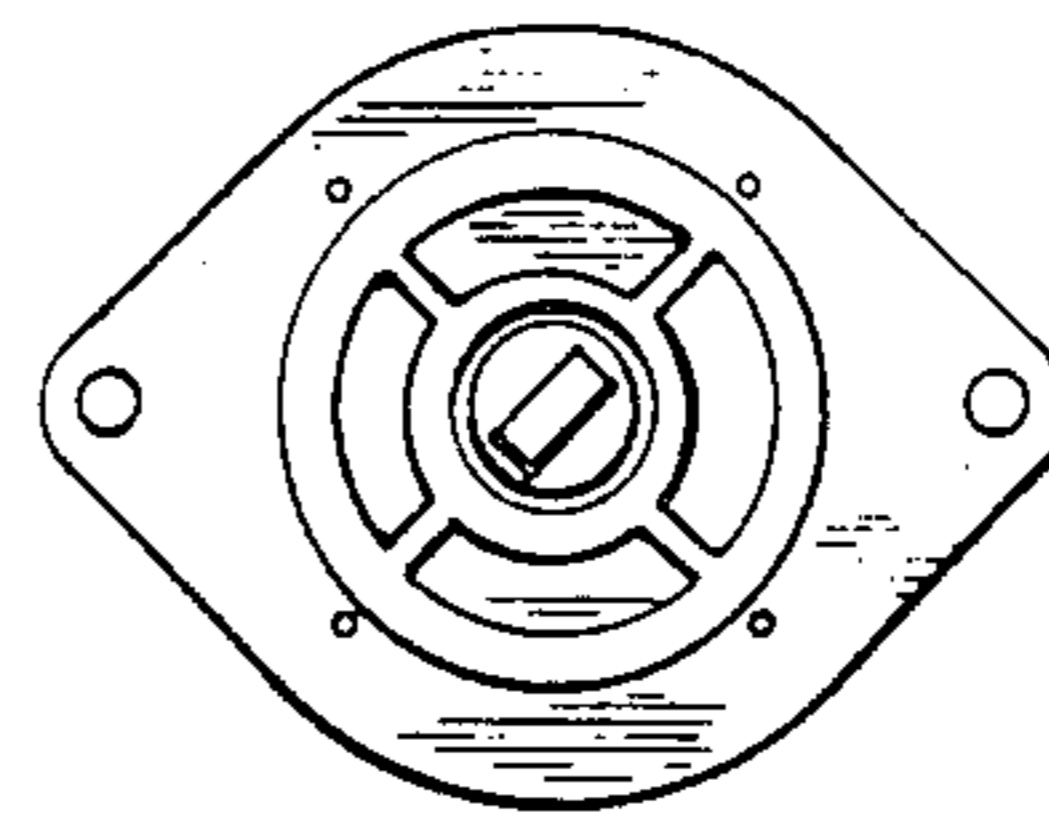


FIG-4

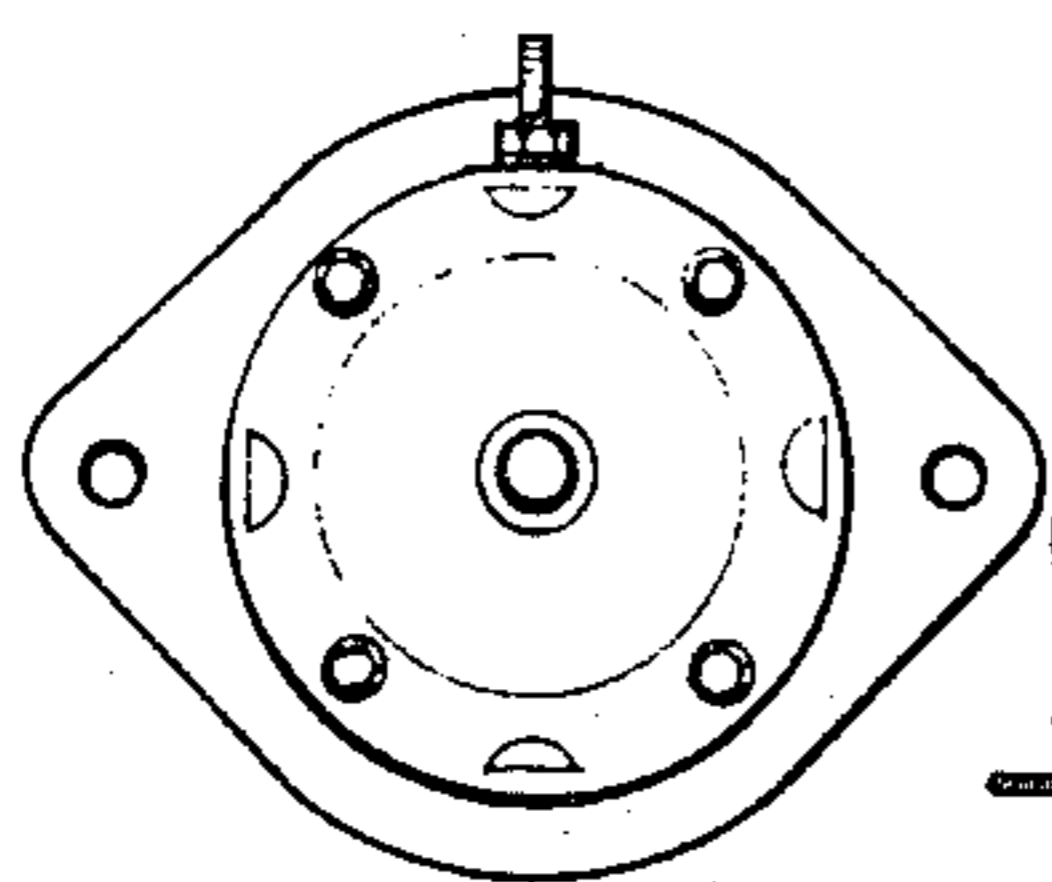


FIG-5