

[54] COMBINED PACKAGING AND DISPLAY CONTAINER

[75] Inventor: Katsuhiko Okano, Hiroshima, Japan

[73] Assignee: Ryobi Limited, Fuchu, Japan

[**] Term: 14 Years

[21] Appl. No.: 497,850

[22] Filed: May 25, 1983

[52] U.S. Cl. D9/347; D9/415

[58] Field of Search D9/415, 341, 345, 347, D9/424, 425, 426; 206/460-471

[56] References Cited

U.S. PATENT DOCUMENTS

- D. 224,290 7/1972 Robertson D9/415
- D. 262,865 2/1982 Lecordier D9/415
- D. 268,251 3/1983 Savage D9/415 X
- D. 277,731 2/1985 Sharp et al. D9/415 X
- 4,191,293 3/1980 Newman 206/467

Primary Examiner—Robert C. Spangler

Attorney, Agent, or Firm—Frishauf, Holtz, Goodman & Woodward

[57] CLAIM

The ornamental design for a combined packaging and display container, or the like substantially as shown and described.

DESCRIPTION

FIG. 1 is an exploded perspective view of a combined packaging and display container showing the outside of the top portion and the inside of the lower portion of my new design;

FIG. 2 is a perspective view thereof showing the inside of the top portion and the outside of the bottom portion, and looking from the opposite side as seen in FIG. 1;

FIG. 3 is a perspective assembled view thereof;

FIG. 4 is a top plan view thereof;

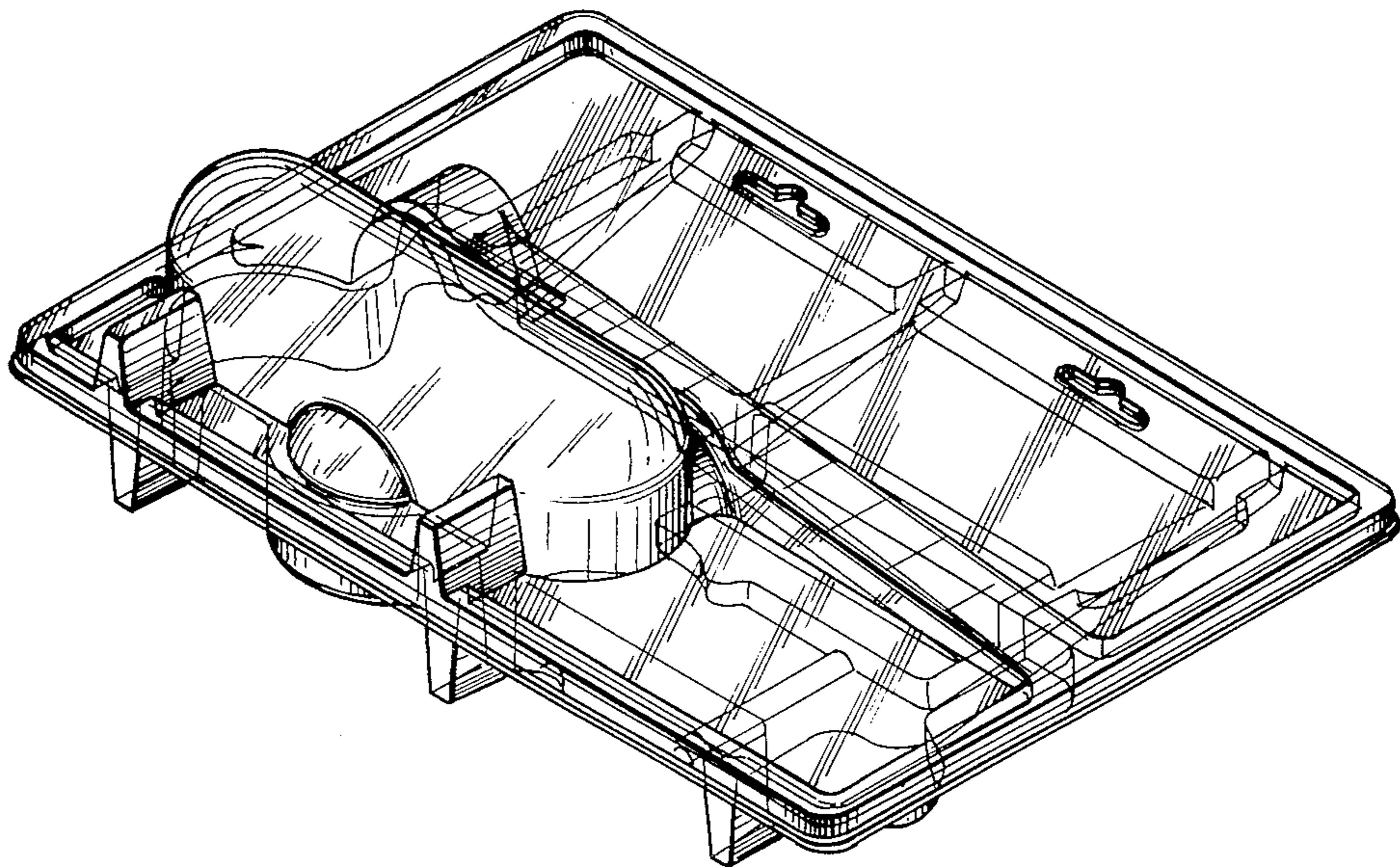
FIG. 5 is a front side view thereof;

FIG. 6 is a right end view thereof;

FIG. 7 is a left end view thereof;

FIG. 8 is a rear side view thereof; and

FIG. 9 is a bottom plan view thereof.



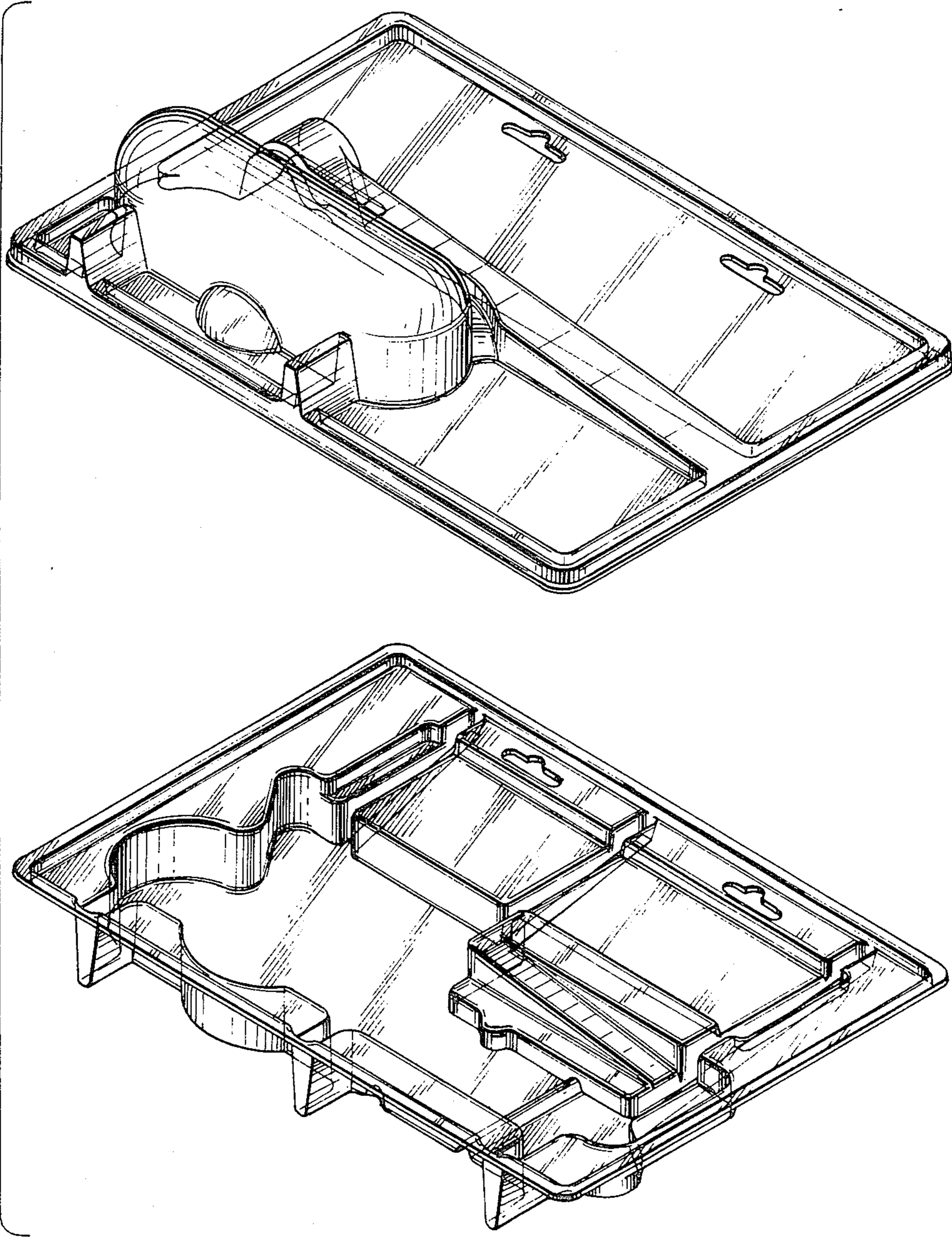


FIG. 1

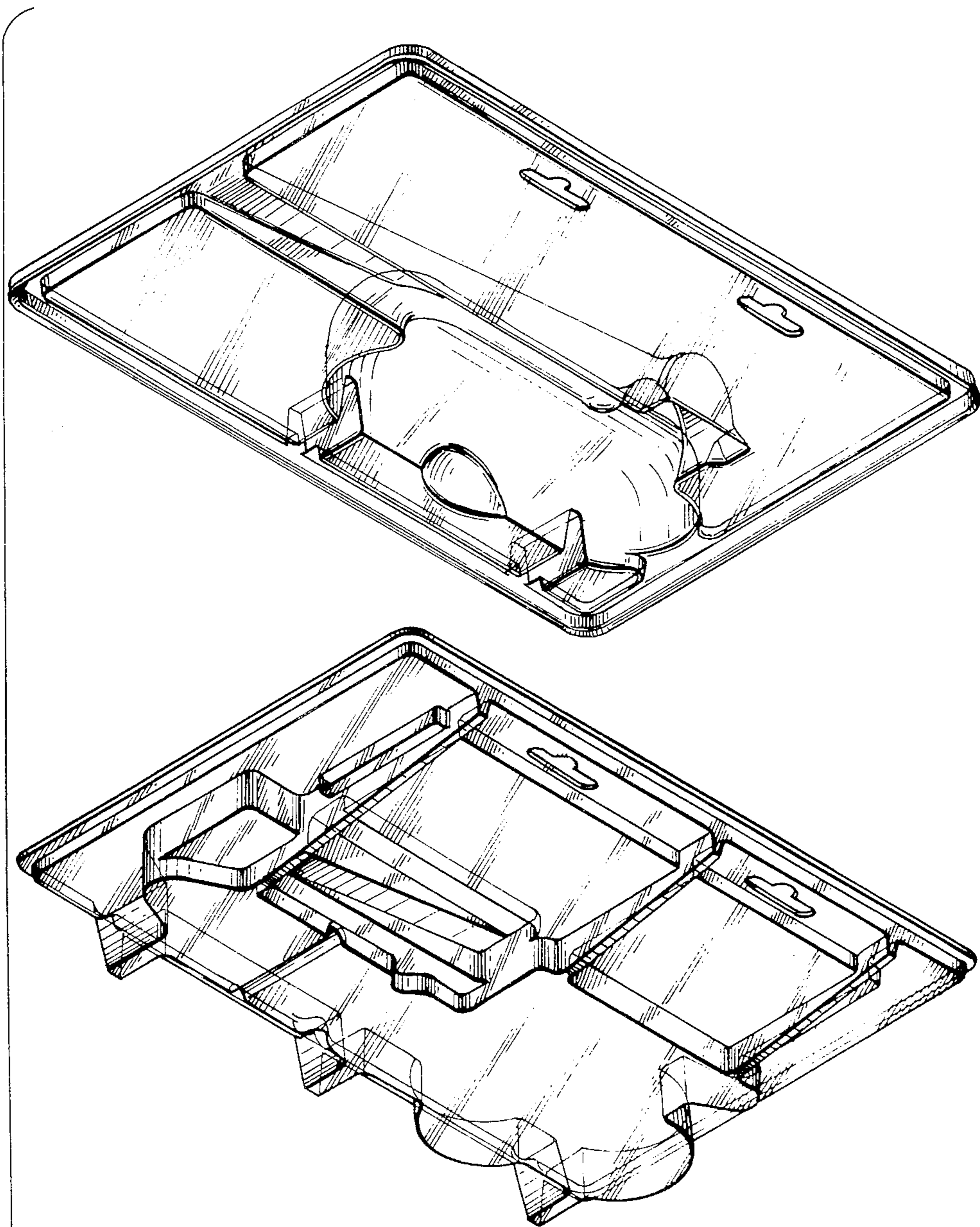


FIG.2

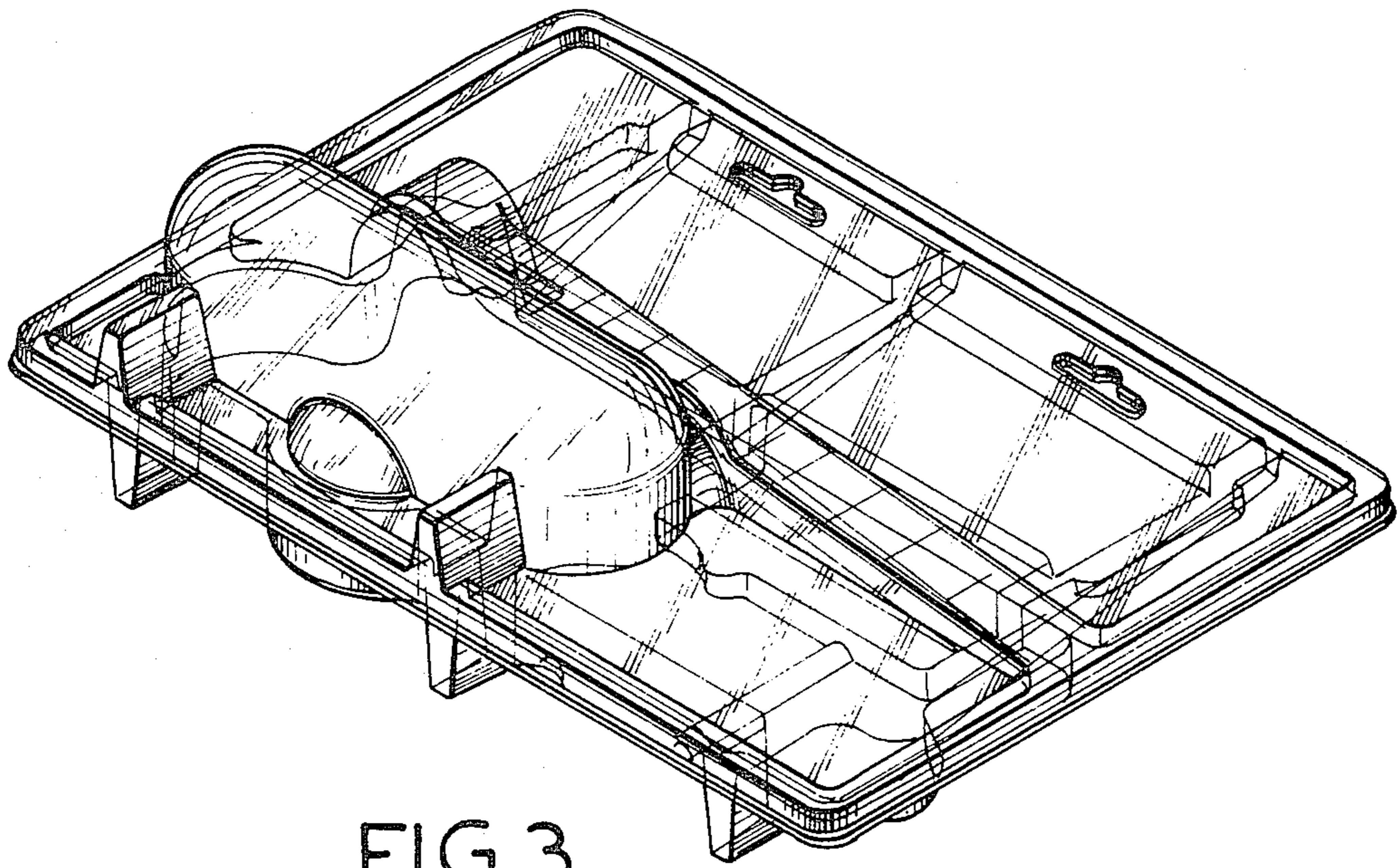


FIG. 3

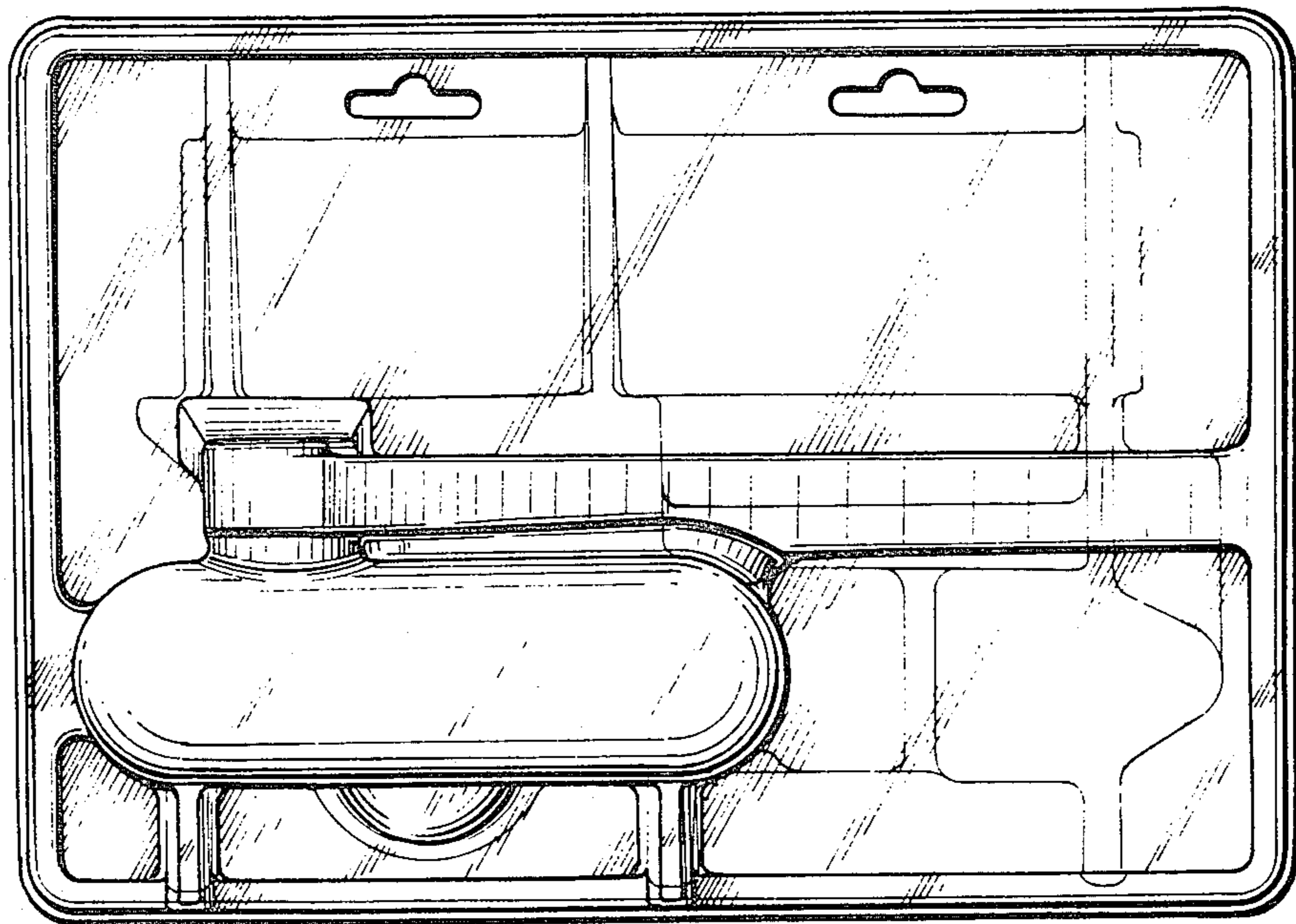


FIG. 4

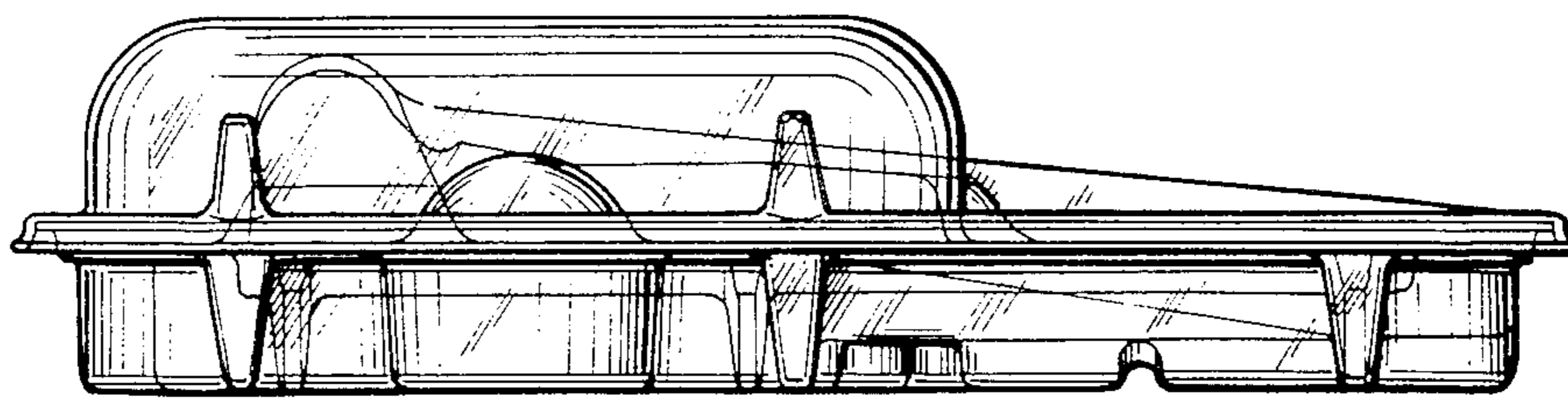


FIG. 5

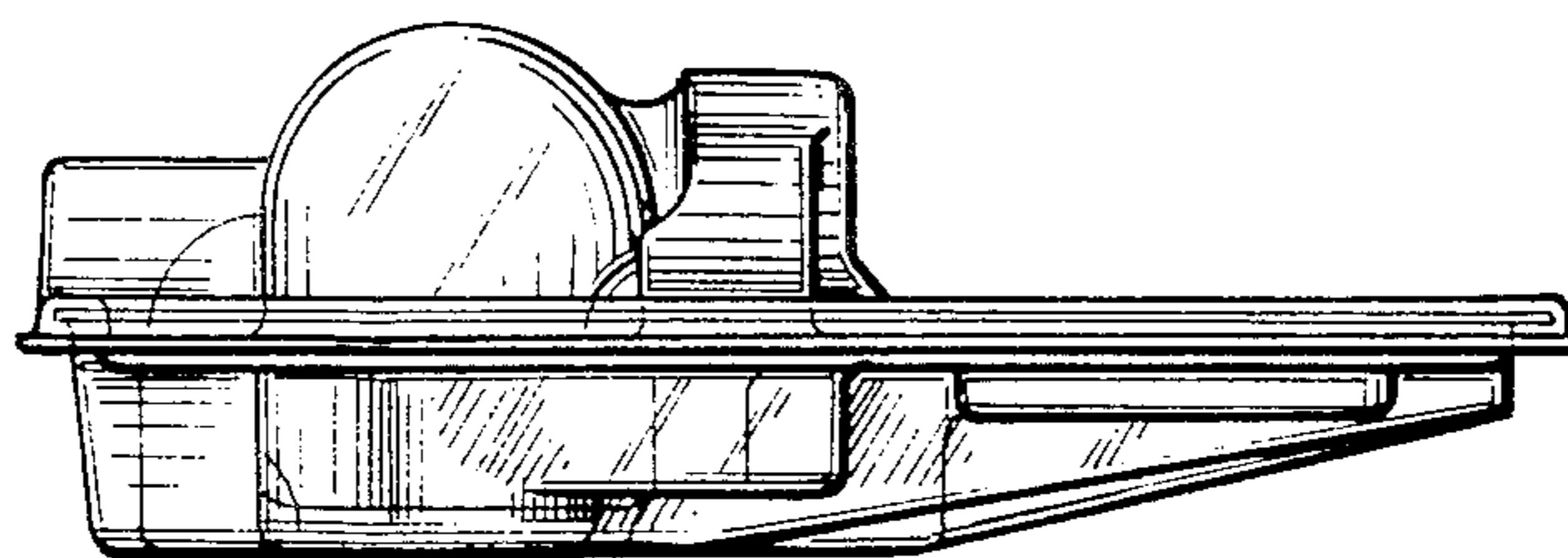


FIG. 6

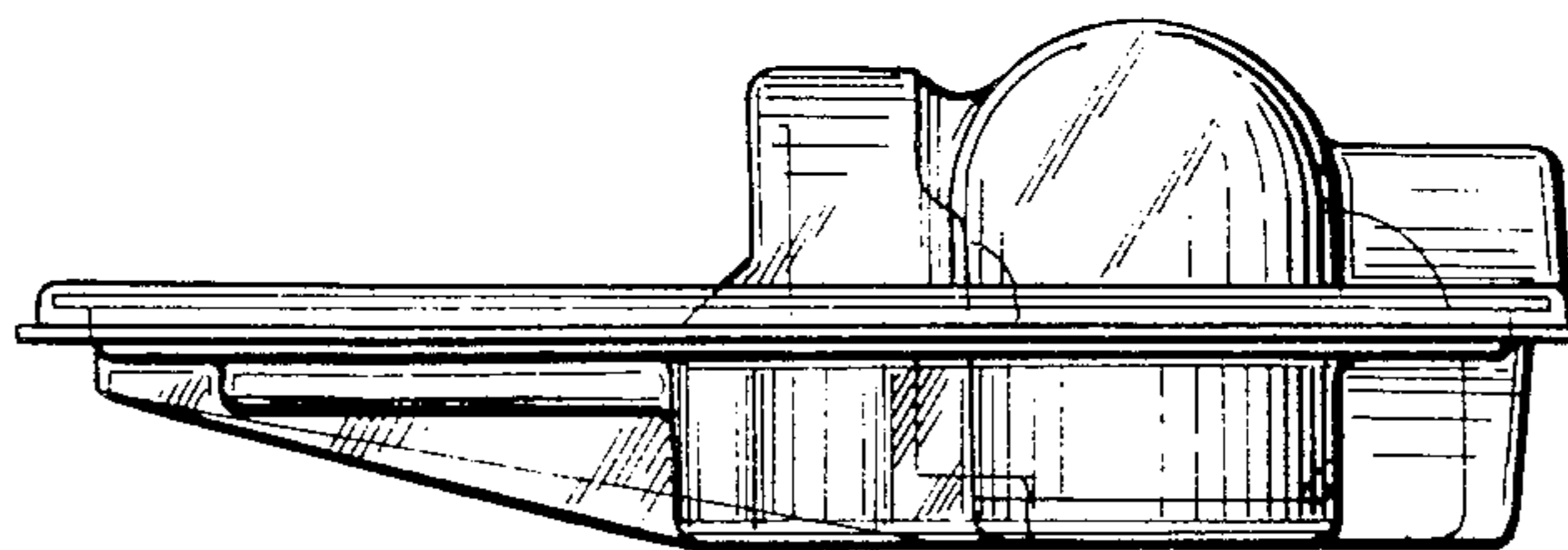


FIG. 7

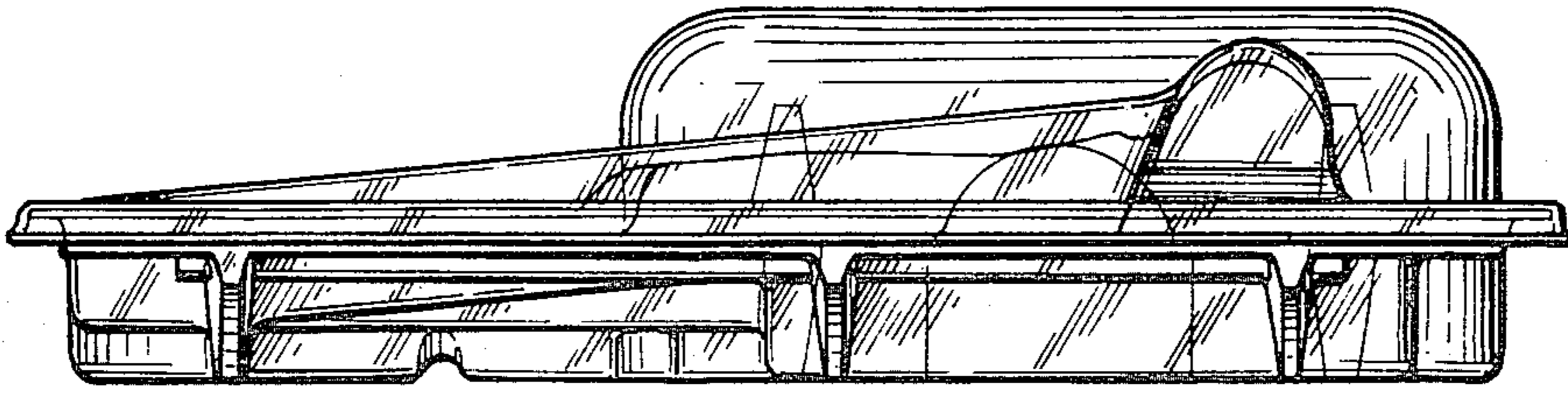


FIG. 8

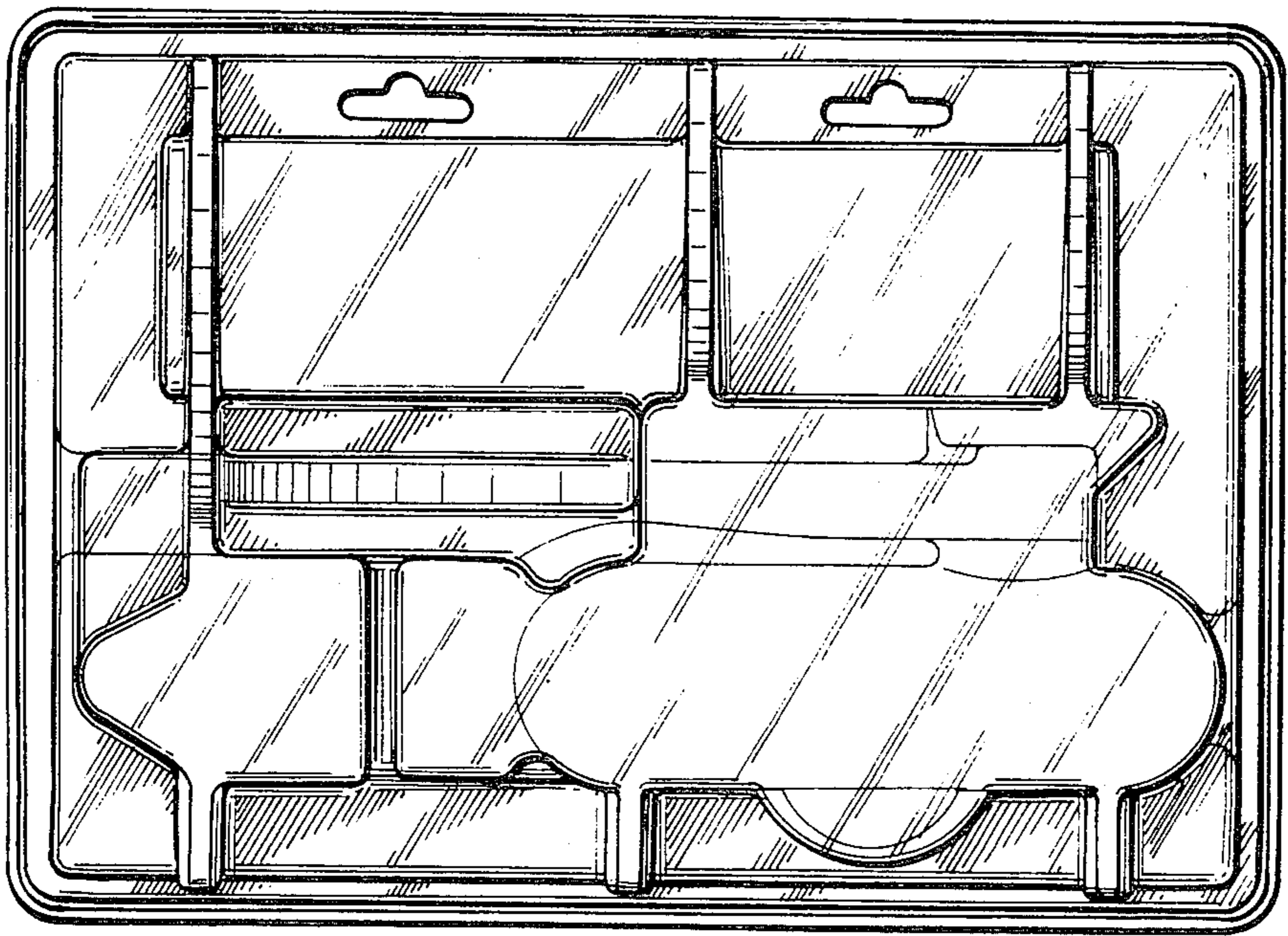


FIG. 9