

United States Patent [19]

Lassiter

[11] Patent Number: **Des. 281,220**

[45] Date of Patent: **** Nov. 5, 1985**

[54] **TRAILER LOCK**

[76] Inventor: **Will M. Lassiter**, 1703 Deep River Rd., High Point, N.C. 27260

[**] Term: **14 Years**

[21] Appl. No.: **557,205**

[22] Filed: **Dec. 2, 1983**

[52] U.S. Cl. **D8/331**

[58] Field of Search **D8/330, 337, 338; 70/57, 232**

[56] **References Cited**

U.S. PATENT DOCUMENTS

D. 254,121	2/1980	Padgett, Jr.	D8/331
D. 261,858	11/1981	Lassiter	D8/331
3,269,159	8/1966	Young	70/232
3,415,085	12/1968	Eble, Jr.	70/232
3,600,914	8/1971	Johnson et al.	70/232
3,706,211	12/1972	Owen	70/232
3,757,550	9/1973	Kayser	70/232
3,763,675	10/1973	Holmeister et al.	70/232
3,922,897	12/1975	Mickelson	70/232

4,031,727 6/1977 De Groat et al. 70/232

FOREIGN PATENT DOCUMENTS

0803389 7/1949 Fed. Rep. of Germany 70/232
1532282 11/1978 United Kingdom 70/232

OTHER PUBLICATIONS

Commercial Prior Art Product.

Primary Examiner—B. J. Bullock

Assistant Examiner—Suzanne N. Gitlin

[57] **CLAIM**

The ornamental design for a trailer lock, as shown and described.

DESCRIPTION

FIG. 1 is a perspective view of a trailer lock embodying my design;
FIG. 2 is a top plan view thereof;
FIG. 3 is a bottom plan view thereof;
FIG. 4 is a side elevational view taken from the left of FIG. 1;
FIG. 5 is a side elevational view taken from the right of FIG. 1.

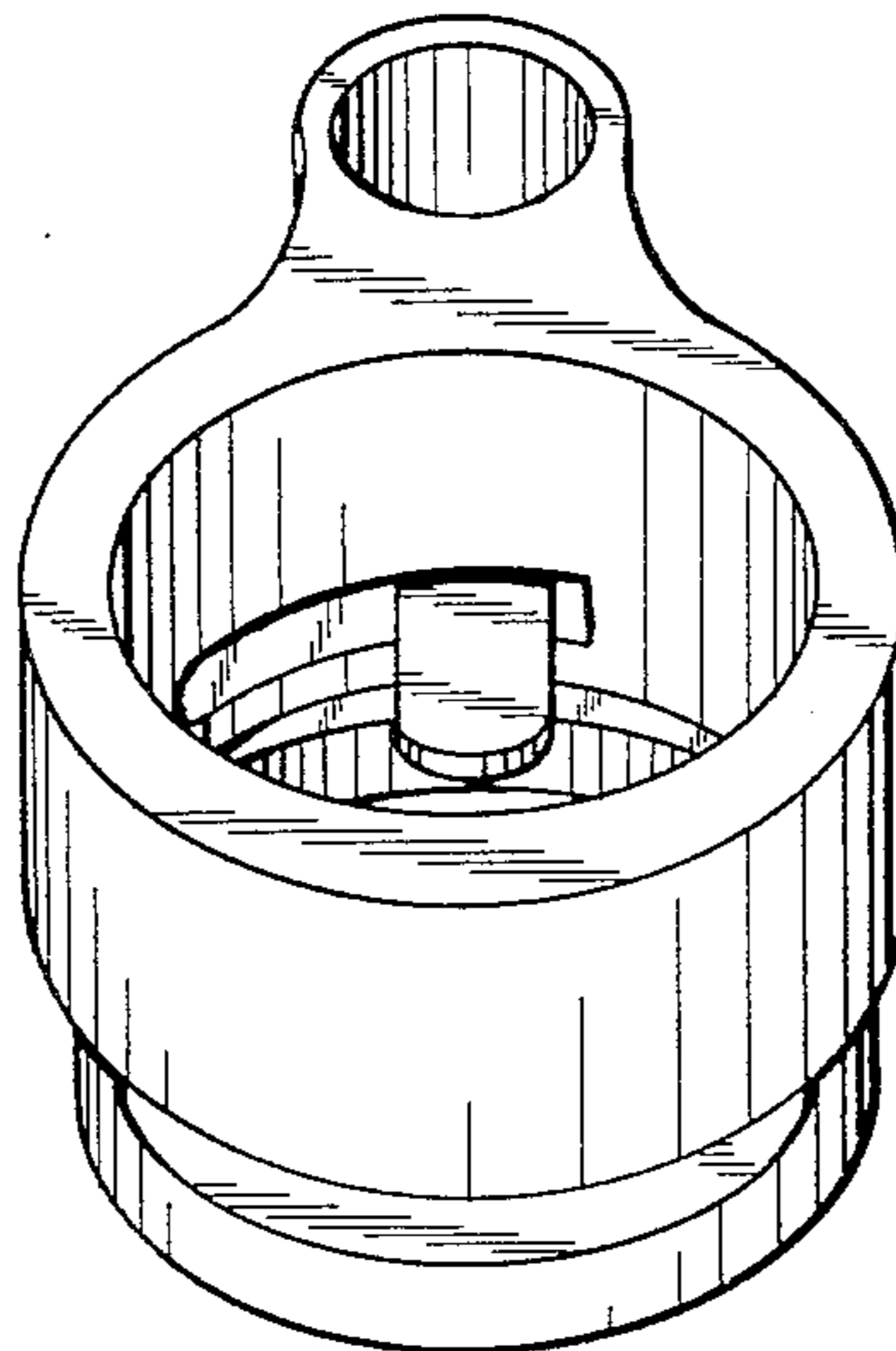


FIG. 1

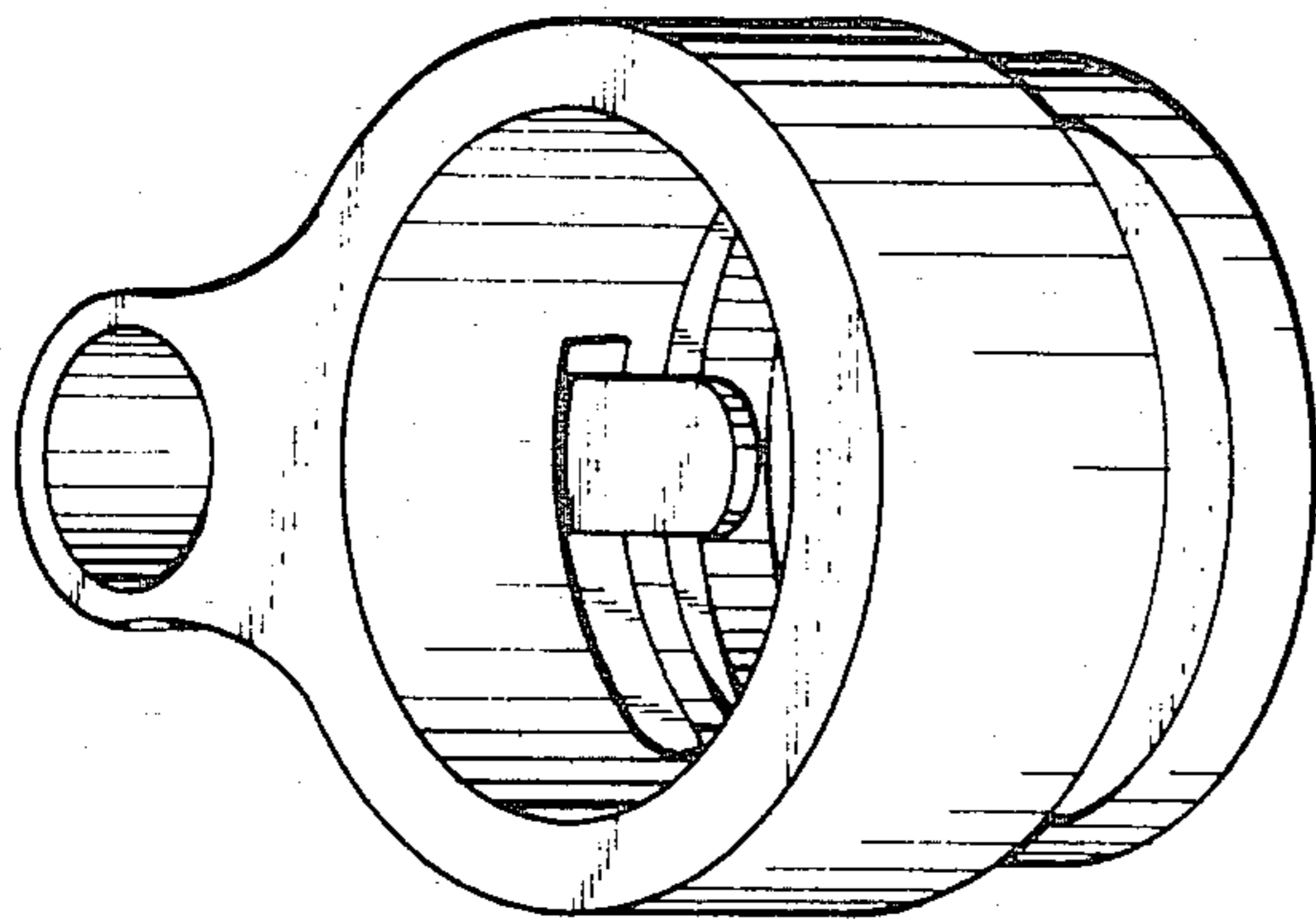


FIG. 2

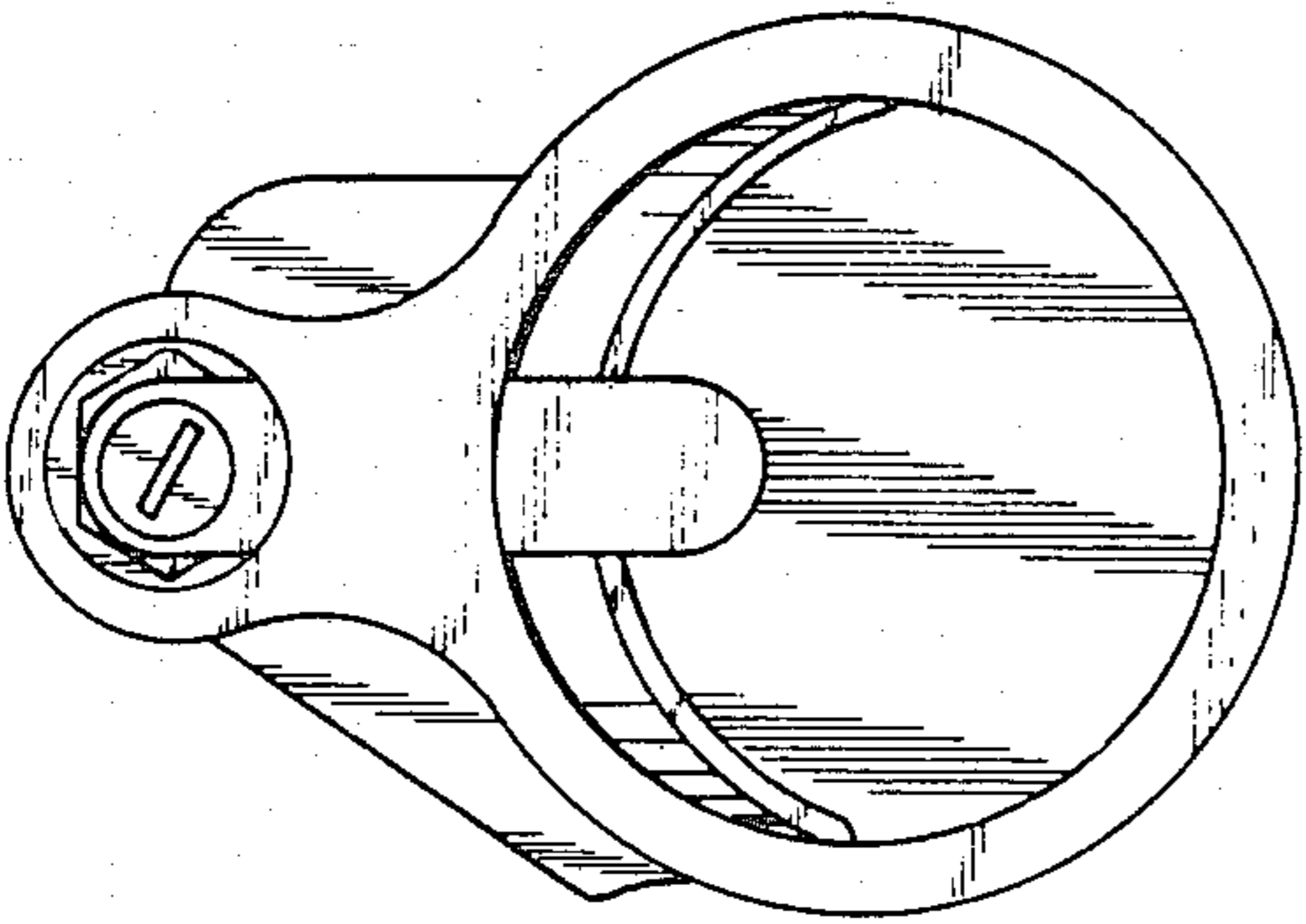


FIG. 3

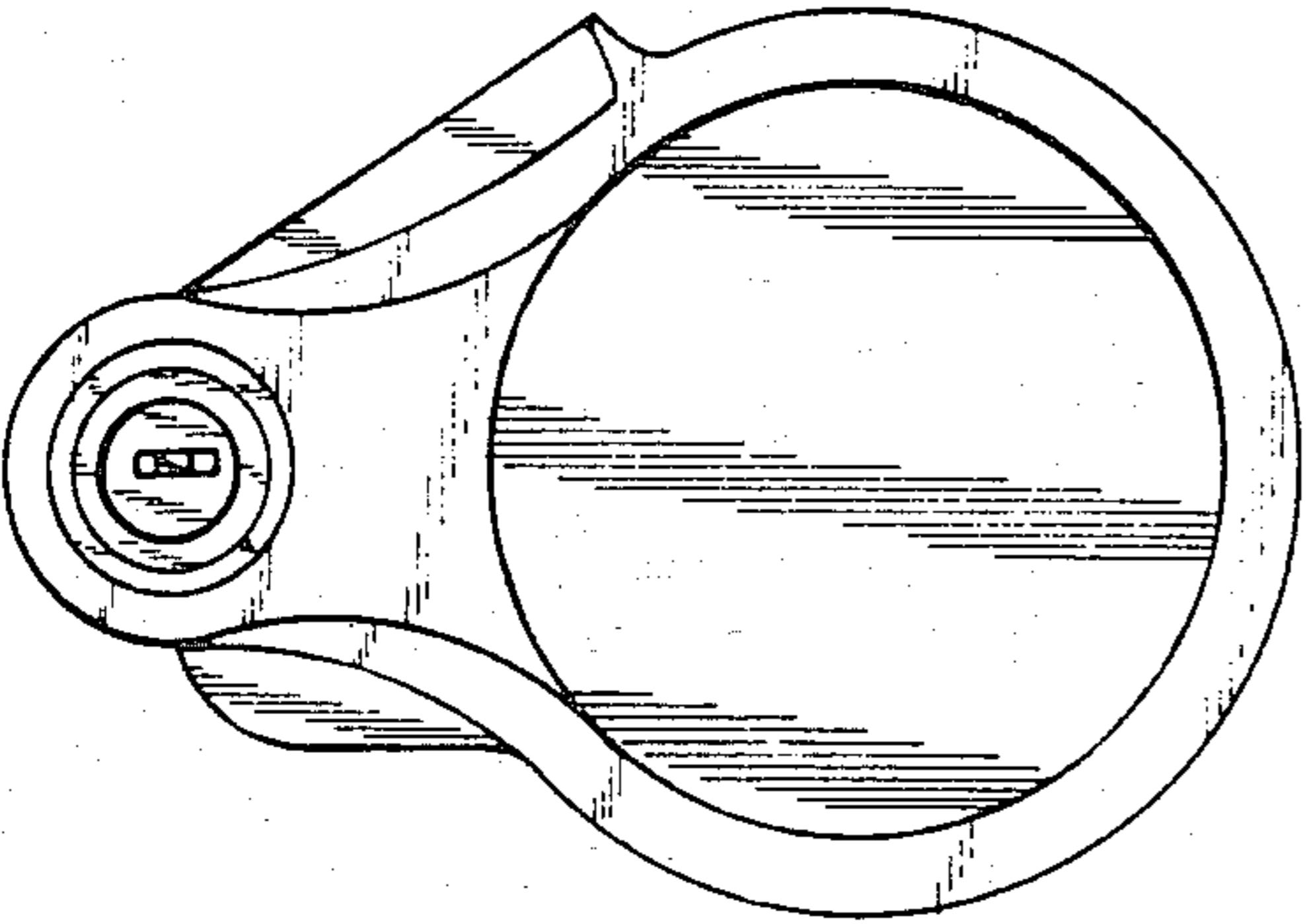


FIG. 4

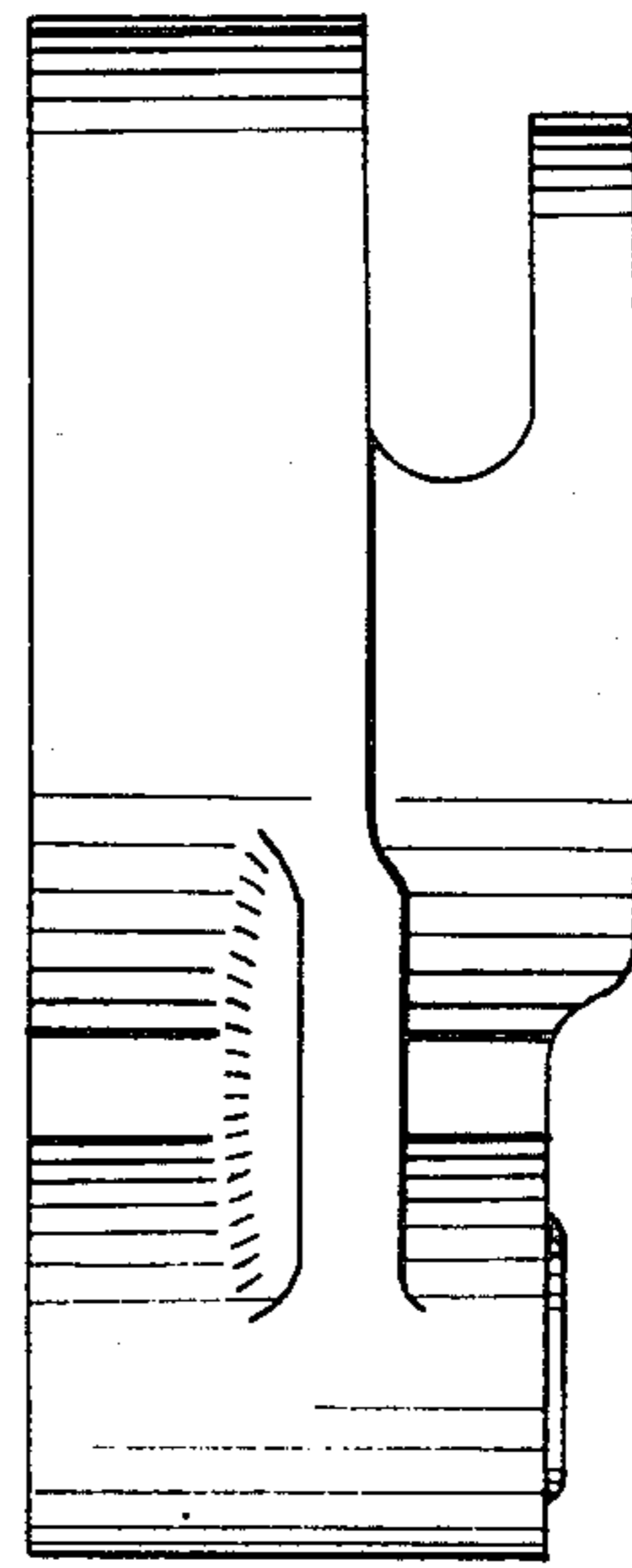


FIG. 5

