

[54] ROUTER

4,319,860 3/1982 Beares 144/134 D
4,410,022 10/1983 Peterson 144/134 D

[75] Inventors: Michael E. Barrett, Easley; Randy G. Koon, Pickens, both of S.C.; Thomas C. Laughon, Alpharetta, Ga.

[73] Assignee: The Singer Company, Stamford, Conn.

[**] Term: 14 Years

[21] Appl. No.: 484,094

[22] Filed: Apr. 11, 1983

[52] U.S. Cl. D8/67

[58] Field of Search D8/61, 67; 409/182; 144/134 D, 136 C

[56] References Cited

U.S. PATENT DOCUMENTS

D. 207,384	4/1967	Barrows	D8/67
4,143,691	3/1979	Robinson	409/182
4,244,406	1/1981	Stielper	144/134 D

OTHER PUBLICATIONS

Black and Decker, 1978, p. 44, Deluxe Router located left side of page.

Primary Examiner—Wallace R. Burke
Assistant Examiner—Suzanne N. Gitlin
Attorney, Agent, or Firm—Edward P. Schmidt; Robert E. Smith; Edward L. Bell

[57] CLAIM

The ornamental design for a router, substantially as shown and described.

DESCRIPTION

FIG. 1 is a front perspective view of a router, the electrical cord is shown broken away for ease of illustration; FIG. 2 is a rear perspective view thereof, the electrical cord is shown broken away for ease of illustration. The undisclosed bottom is unornamented.

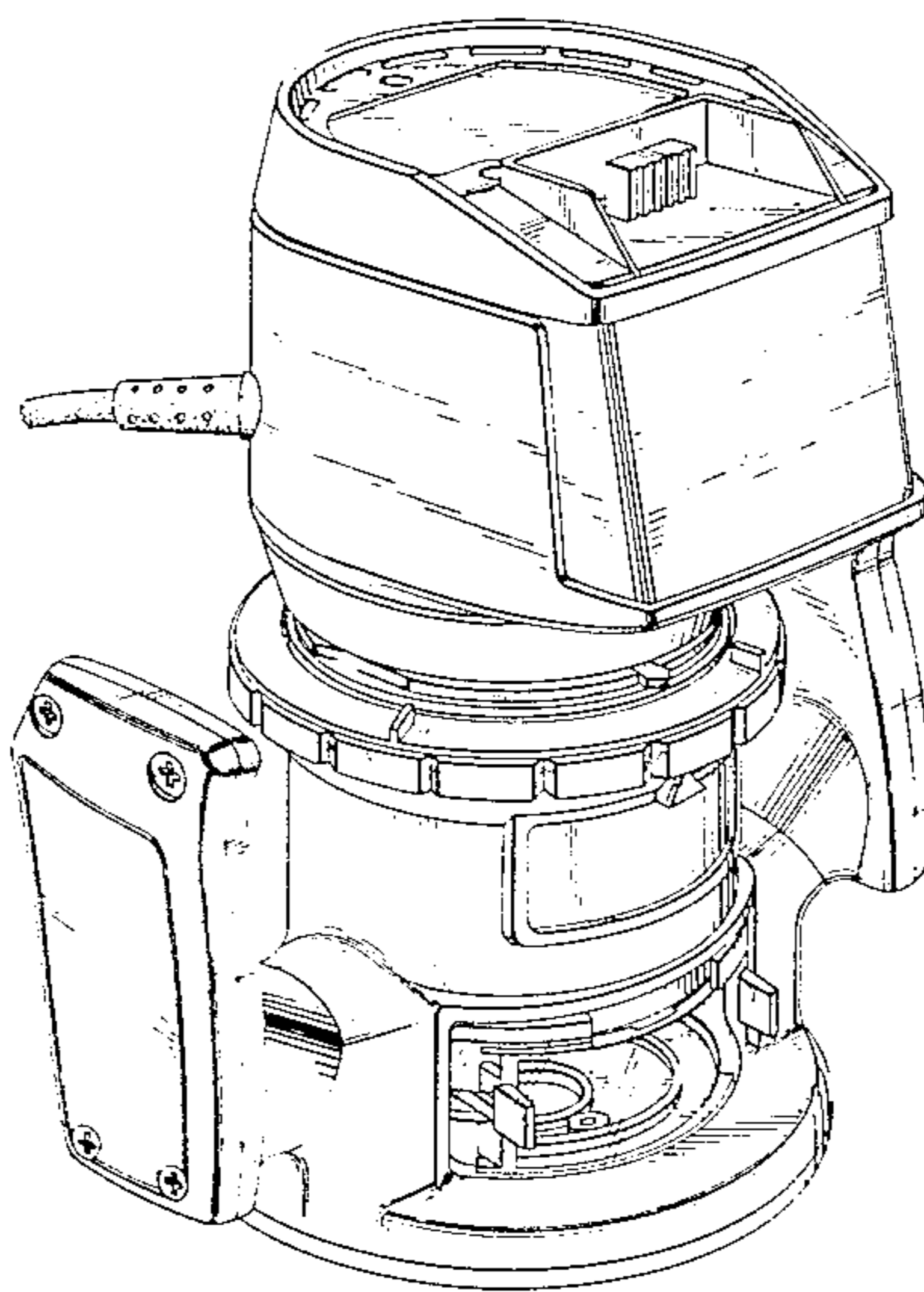


Fig. 2

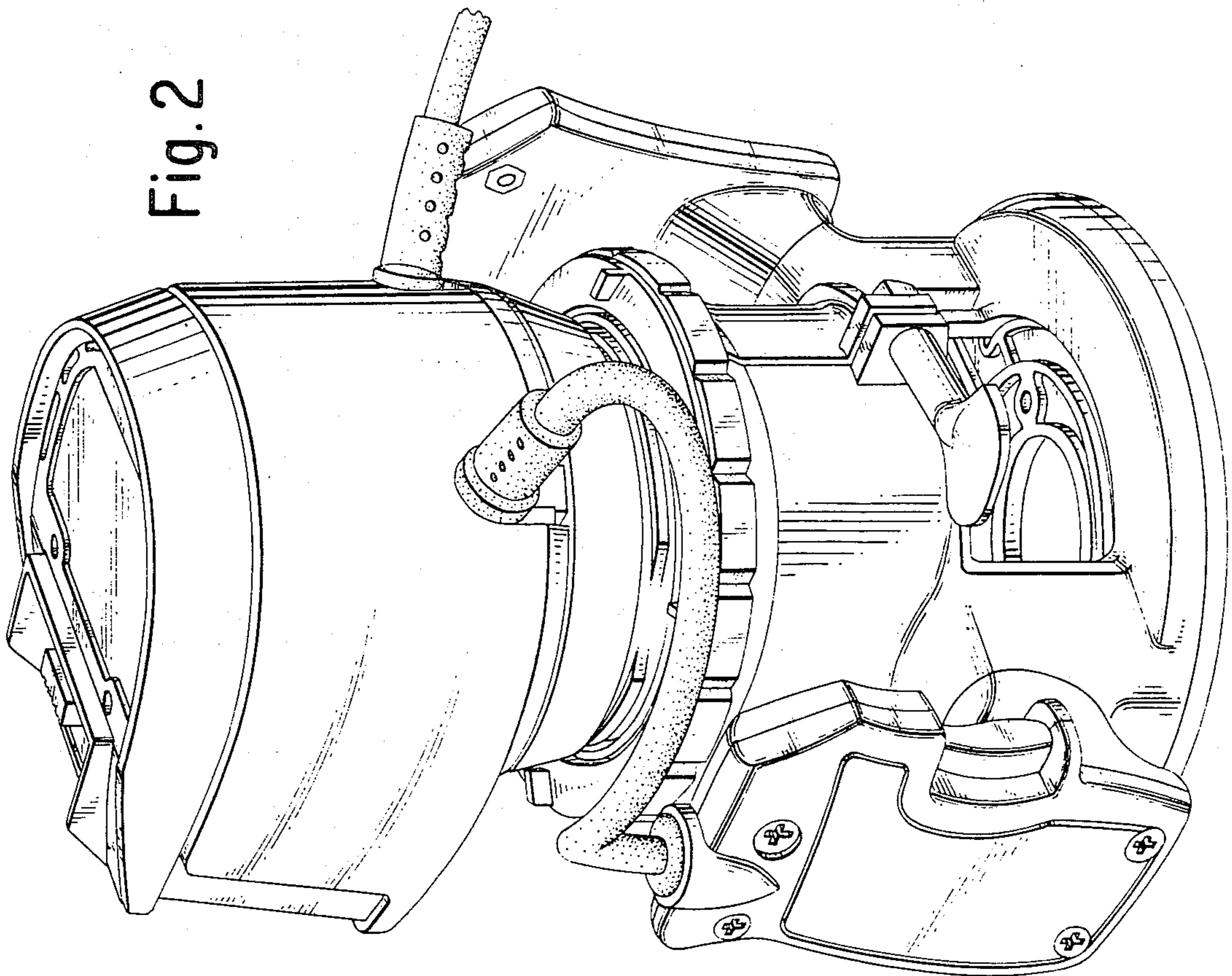


Fig. 1

