

[54] **TAB OPENER FOR EASY-OPEN CANS**

1,981,104 11/1934 Heiner 81/3.3 R

[76] **Inventor: Thomas H. Stachler, 5739 Barbanna La., Dayton, Ohio 45415**

Primary Examiner—Bruce W. Dunkins
Assistant Examiner—Terry Pfeffer
Attorney, Agent, or Firm—Jacox & Meckstroth

[**] **Term: 14 Years**

[21] **Appl. No.: 549,923**

[22] **Filed: Nov. 9, 1983**

[52] **U.S. Cl. D8/33; D8/40**

[58] **Field of Search D8/18, 33, 40; 81/3.46 R, 3.46 A, 3.34, 3.3 R, 3.47; 7/151**

[57] **CLAIM**

The ornamental design of a tab opener for easy-open cans, substantially as shown and described.

DESCRIPTION

FIG. 1 is a top, front, left side perspective view of a tab opener for easy open cans showing my new design; FIG. 2 is a front elevation view thereof; FIG. 3 is a top plan view thereof; FIG. 4 is a bottom plan view thereof; FIG. 5 is a left side elevation view thereof; FIG. 6 is a right side elevation view thereof; and FIG. 7 is a rear elevation view thereof.

[56] **References Cited**

U.S. PATENT DOCUMENTS

- D. 137,939 5/1944 Polzer D8/48
- D. 266,480 10/1982 Reel D8/40
- 1,366,045 1/1921 White et al. 81/3.47

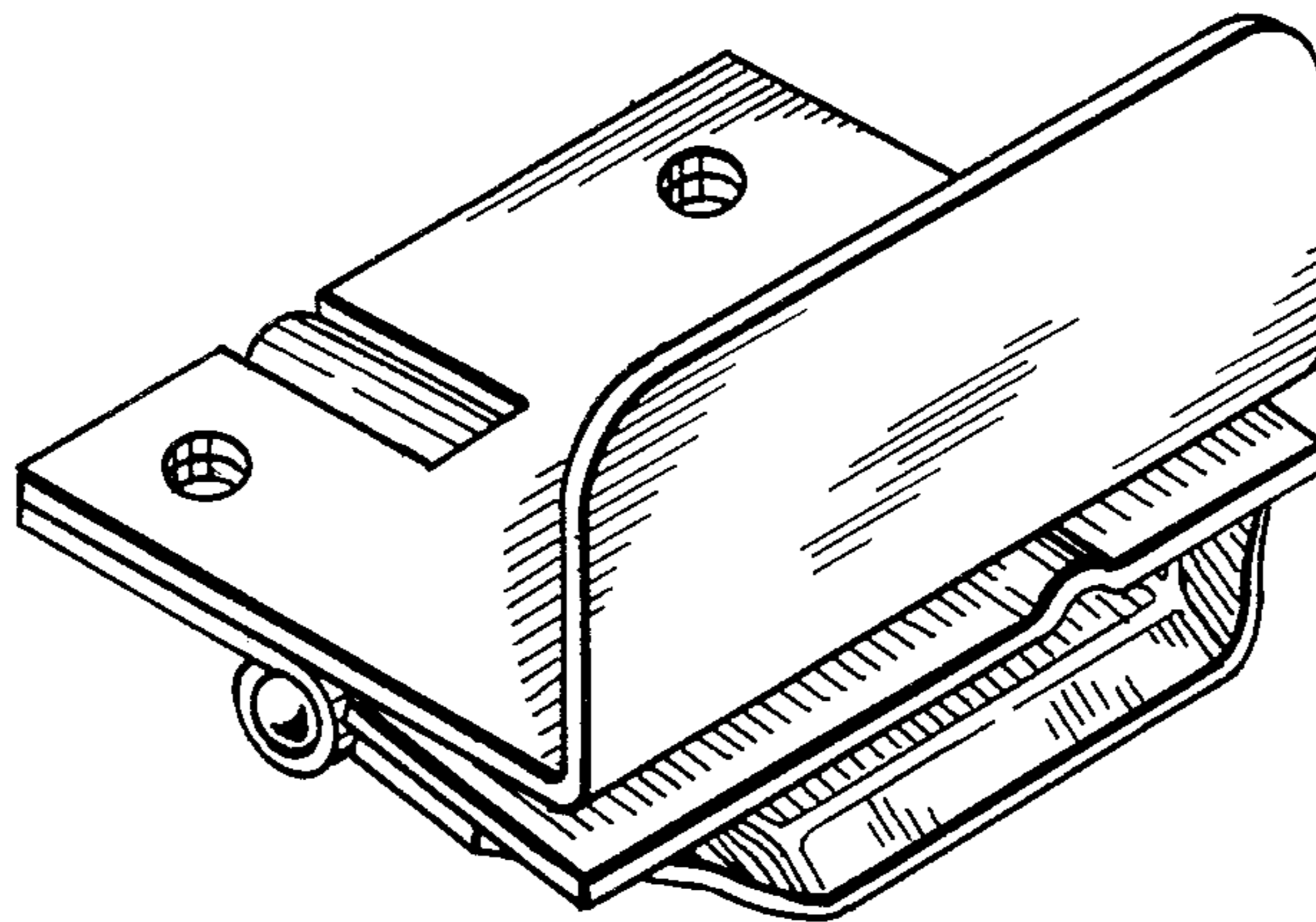


FIG-1

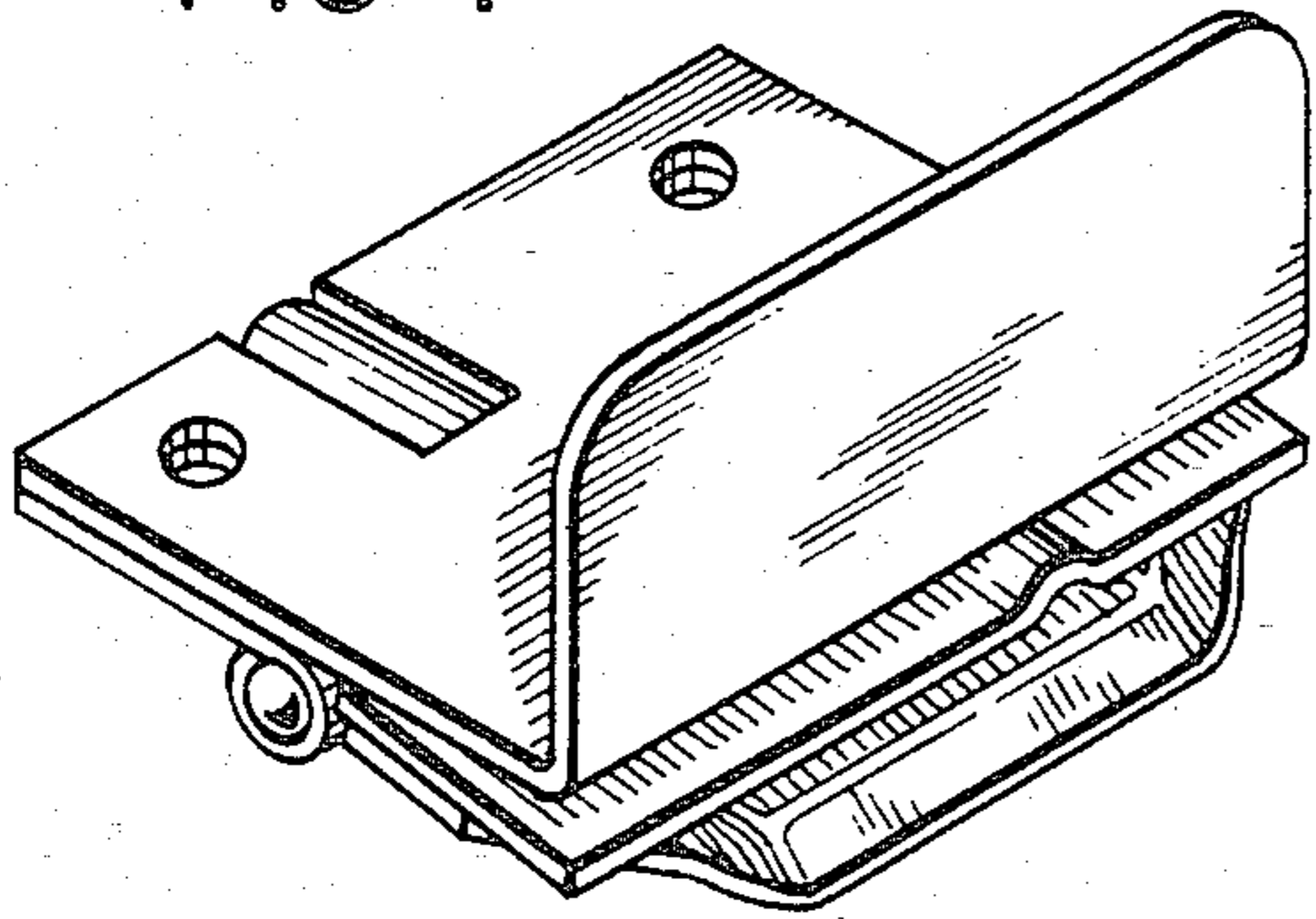


FIG-2

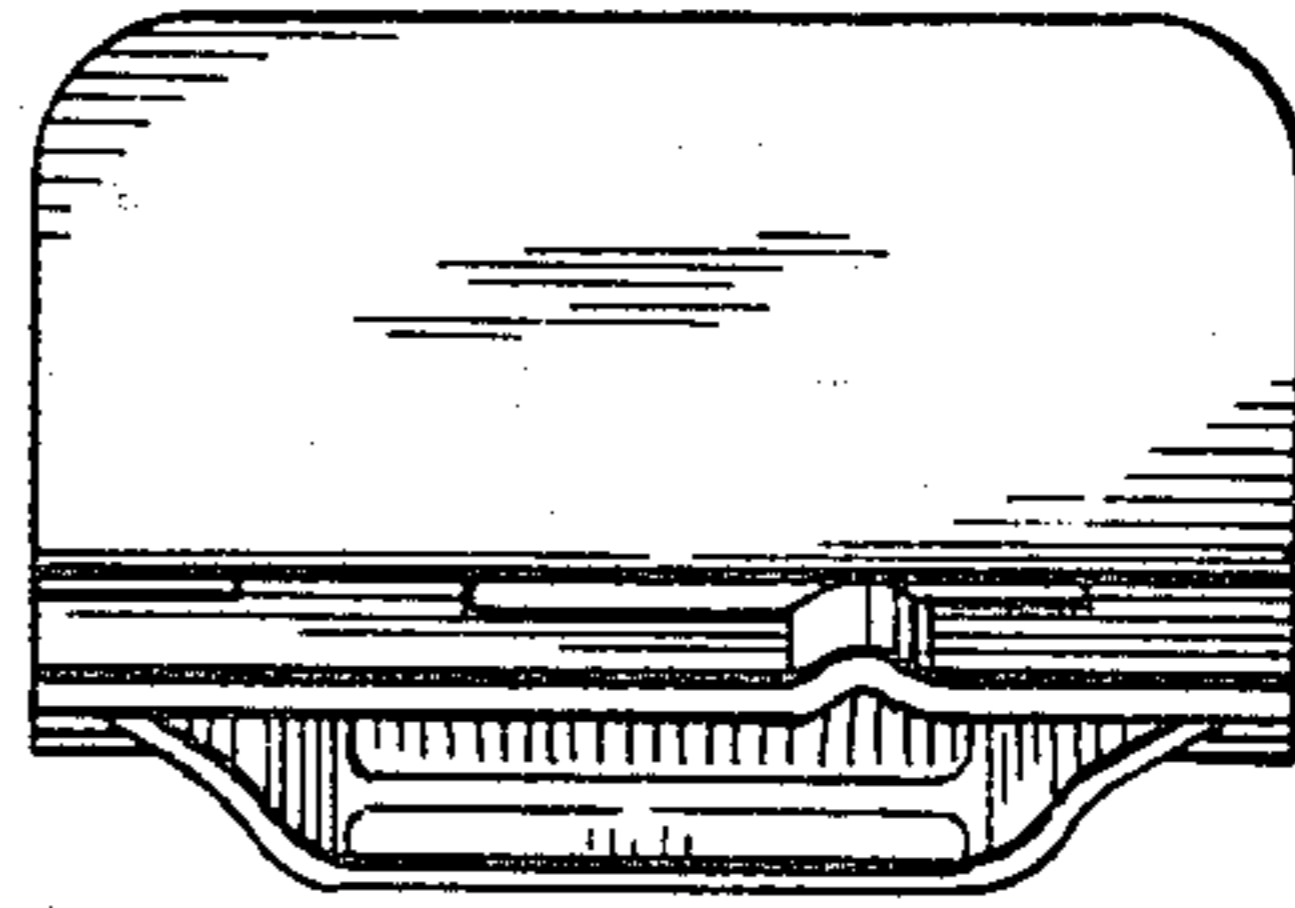


FIG-3

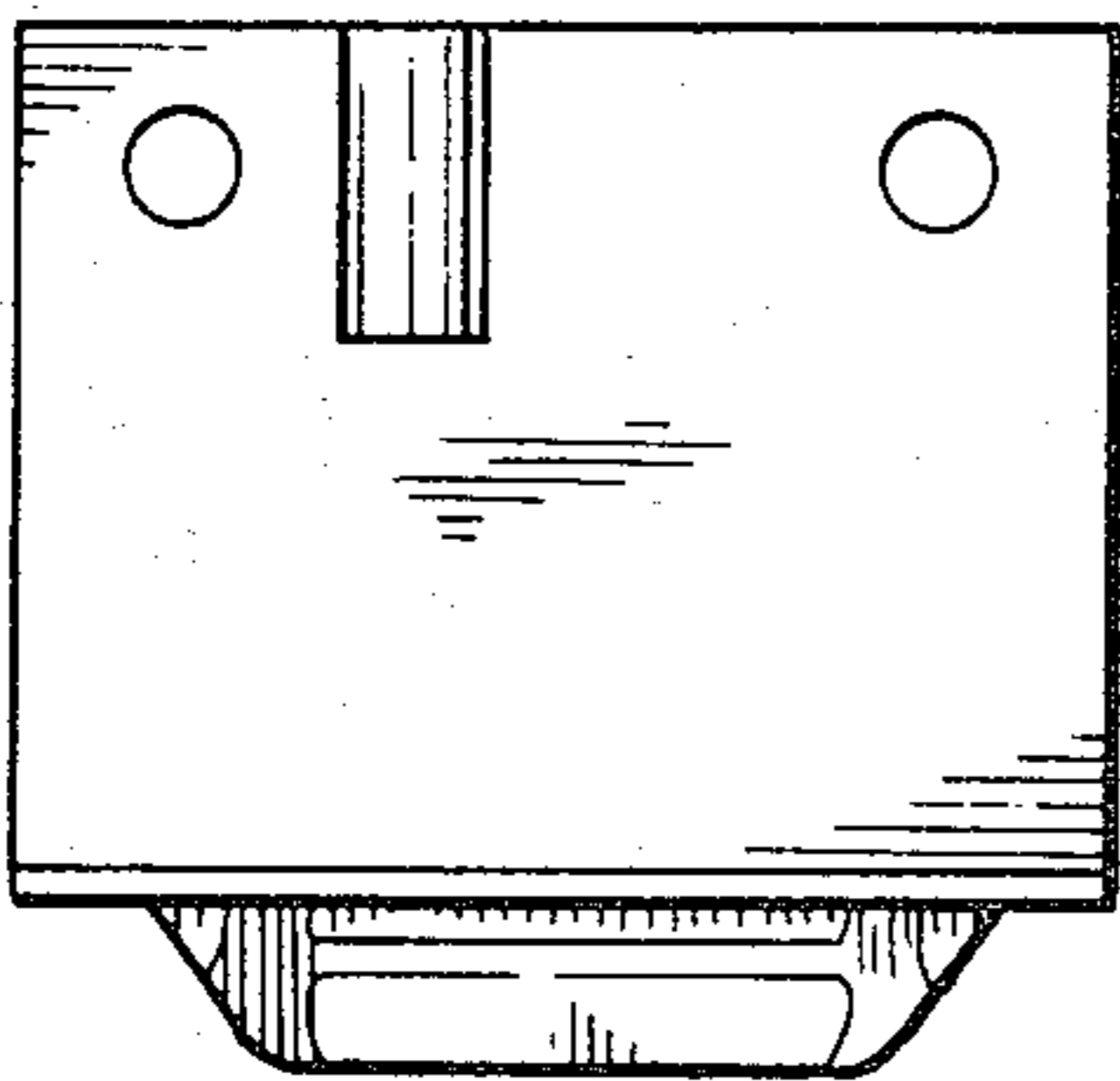


FIG-4

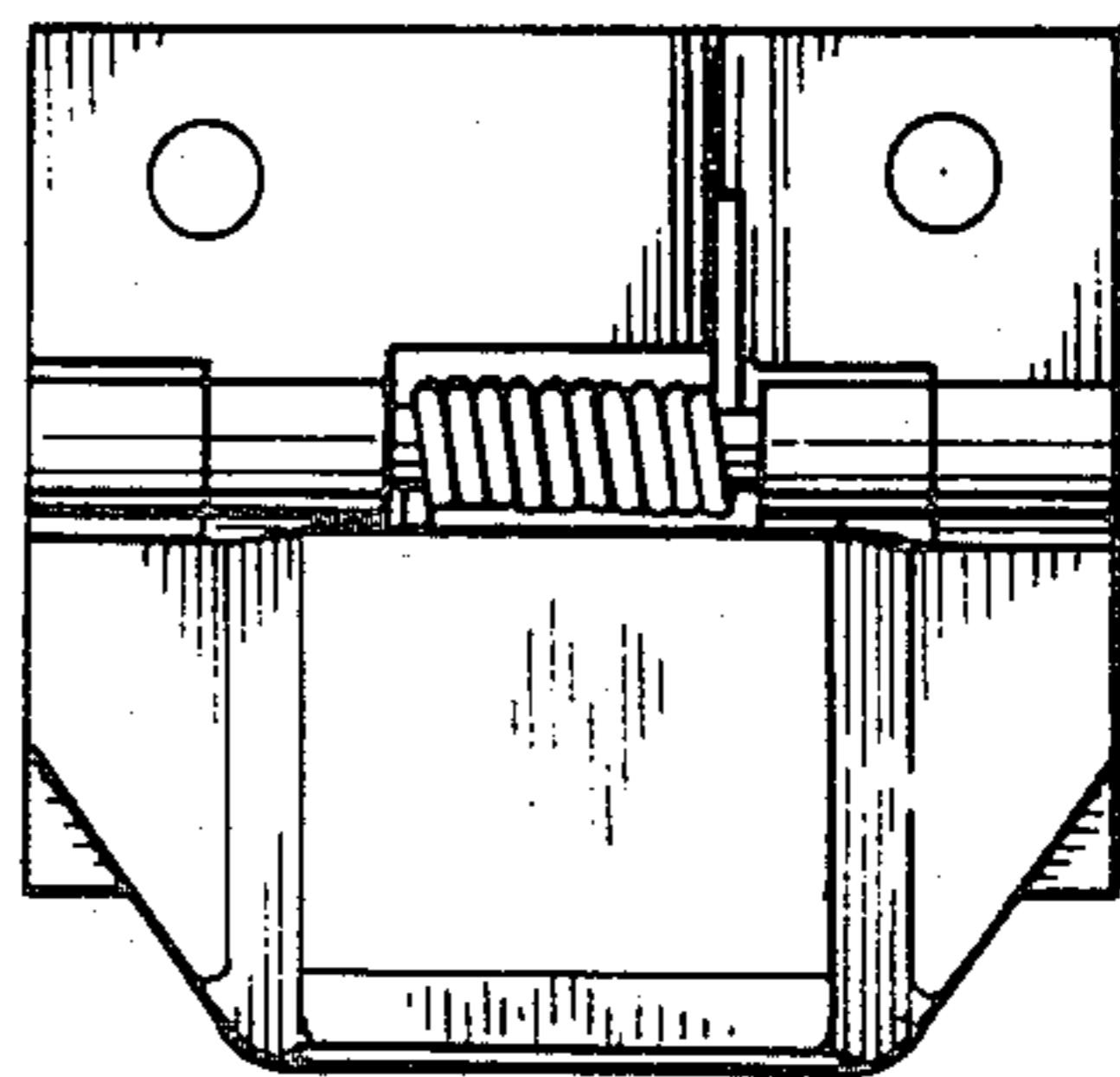


FIG-5

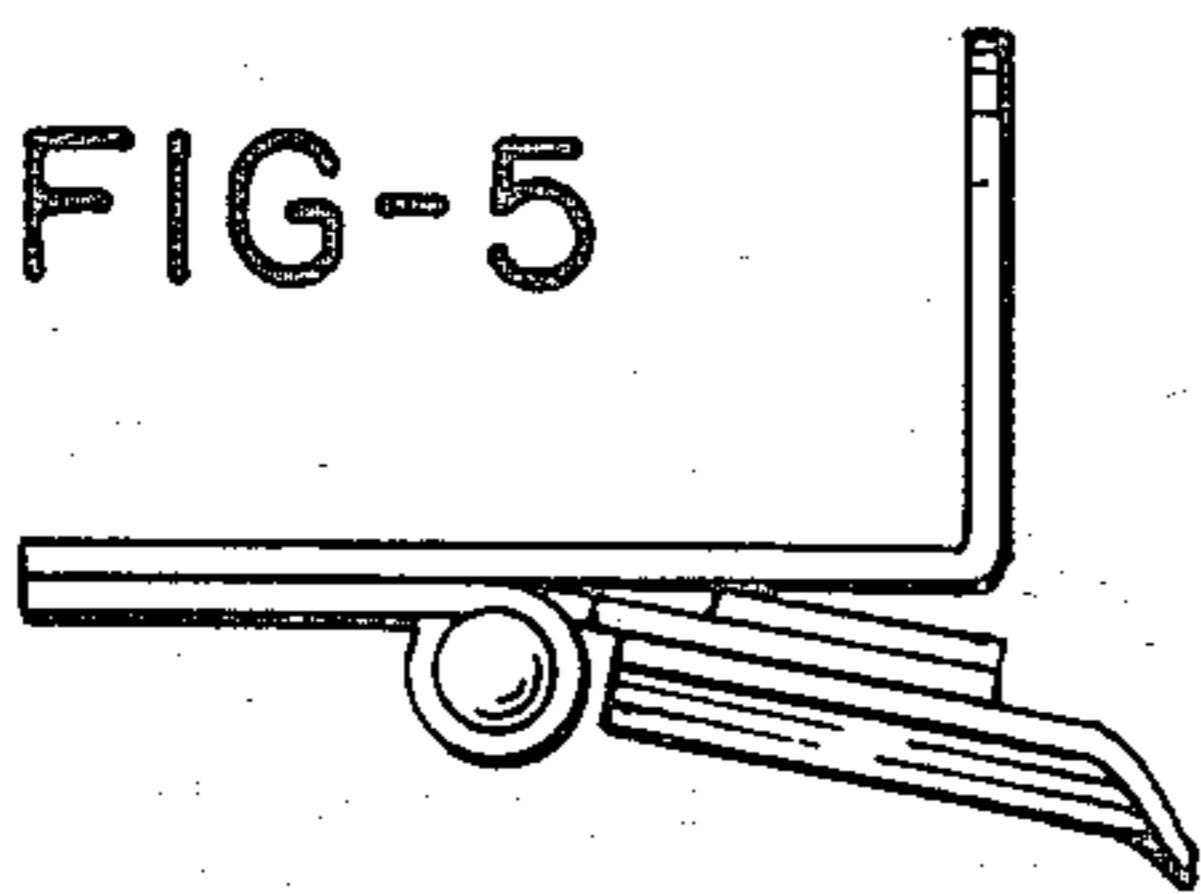


FIG-6

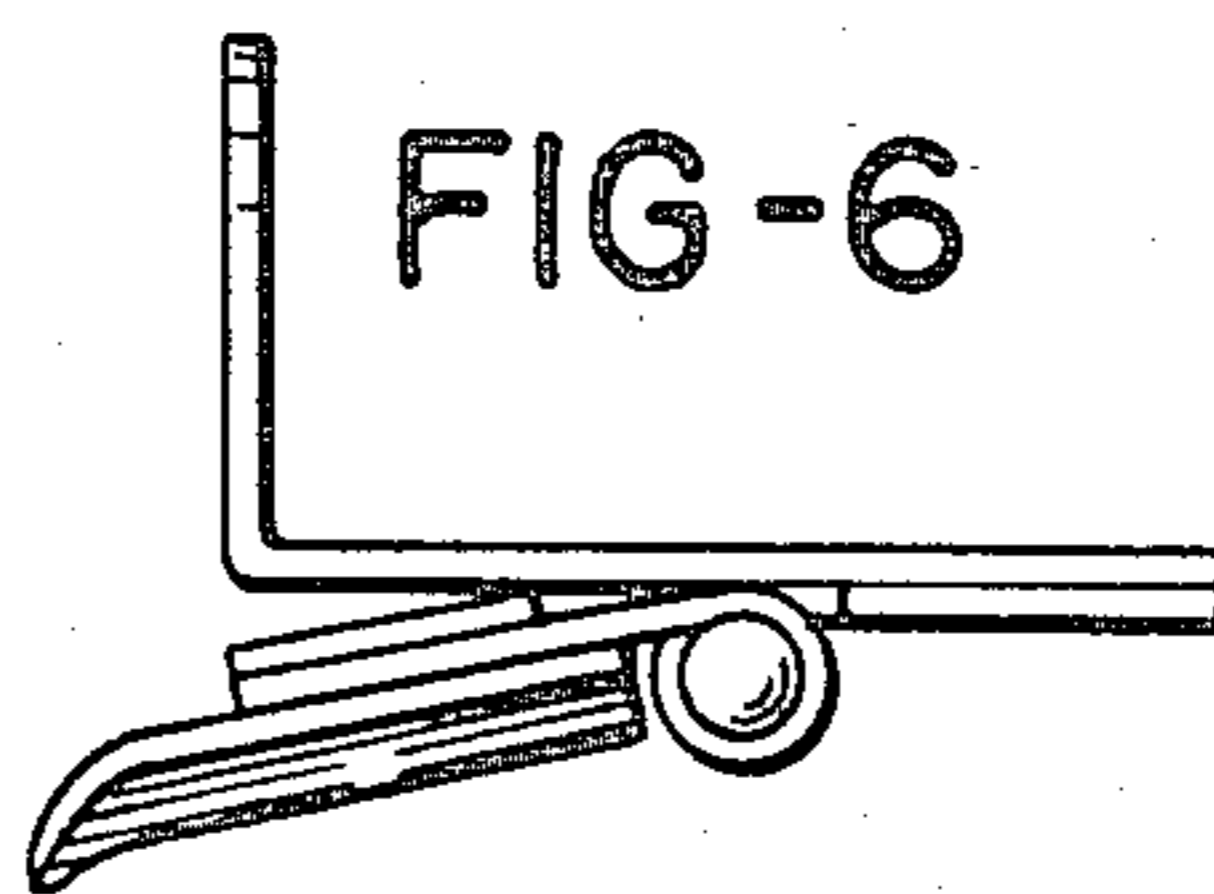


FIG-7

