

[54] TABLE TOP COOKING GRILL

[75] Inventor: Leonard V. Lastuck, Ontario, Canada

[73] Assignee: AMC Appliances, division of
Algonquin Mercantile Corporation,
Weston, Canada

[**] Term: 14 Years

[21] Appl. No.: 494,107

[22] Filed: May 12, 1983

[52] U.S. Cl. D7/363

[58] Field of Search D7/350, 363, 364, 337;
219/443; 99/339

D. 190,212 4/1961 Ernest D7/363

D. 222,601 11/1971 Marshall D7/364

D. 230,371 2/1974 Philipe D7/350

1,421,393 7/1972 Boyle 126/29

Primary Examiner—Wallace R. Burke
Assistant Examiner—Lynn Wilder
Attorney, Agent, or Firm—Sim & McBurney

[57] CLAIM

The ornamental design for a table top cooking grill, as shown.

DESCRIPTION

FIG. 1 is a perspective view of a first embodiment of a table top cooking grill taken obliquely from above; FIG. 2 is a further perspective view thereof, taken obliquely from below; FIG. 3 is a side elevational view thereof, the opposite side being a mirror image; and FIG. 4 is an end elevational view thereof, the opposite end being a mirror image.

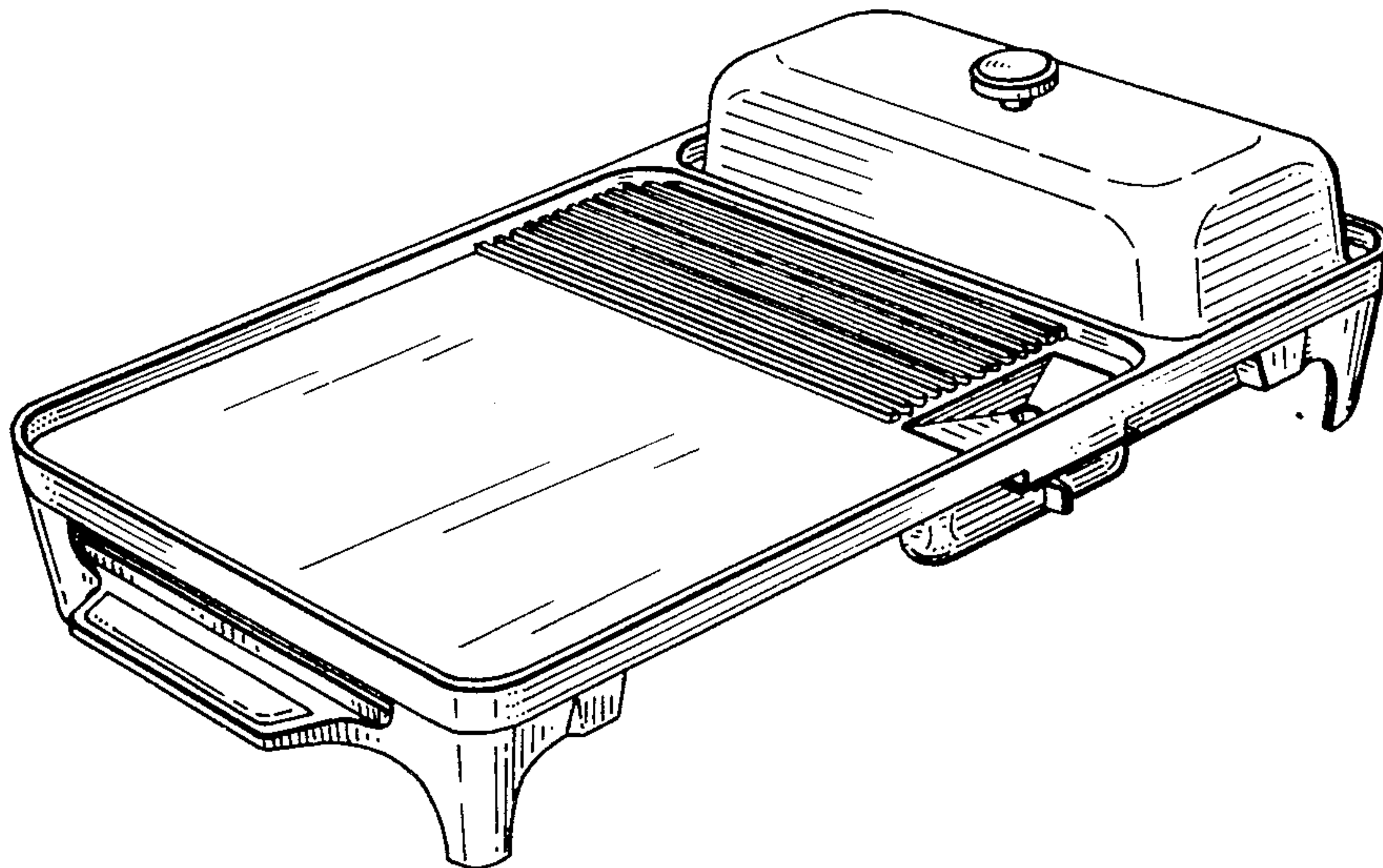
[56] References Cited

U.S. PATENT DOCUMENTS

D. 46,309 8/1914 Binswanger D7/363

D. 155,854 11/1949 Weglage D7/363

D. 178,084 6/1956 Reed et al. D7/363



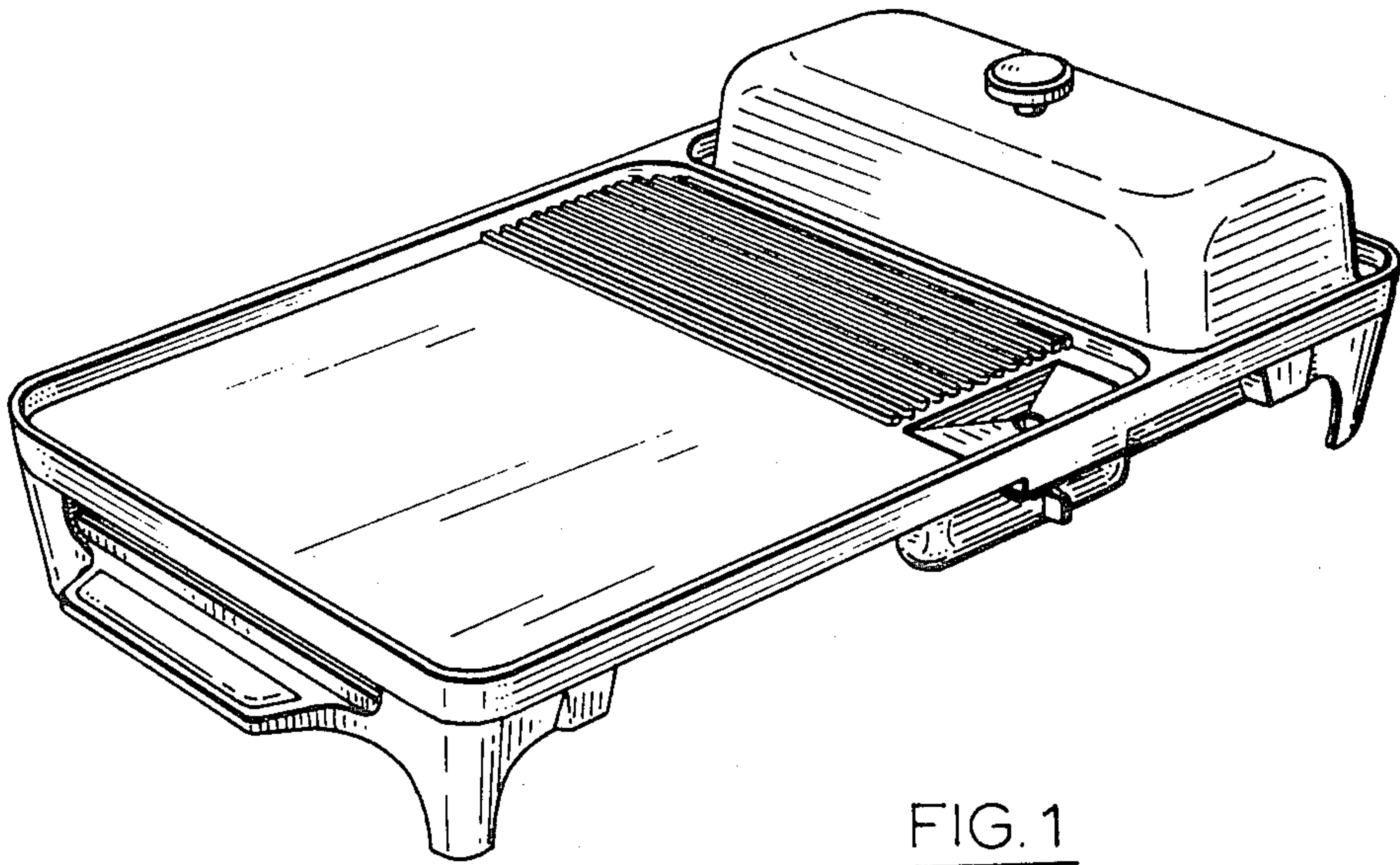


FIG. 1

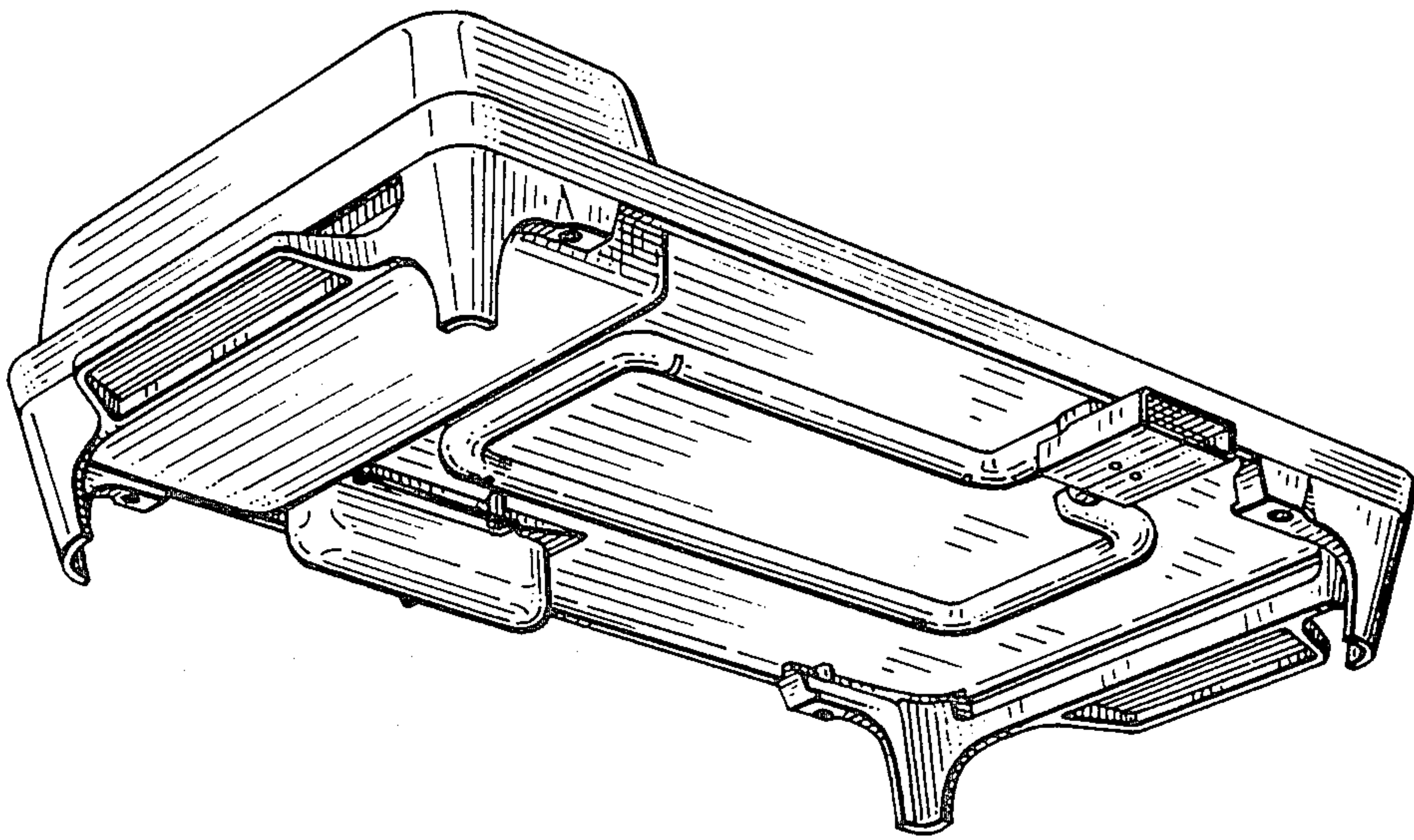


FIG. 2

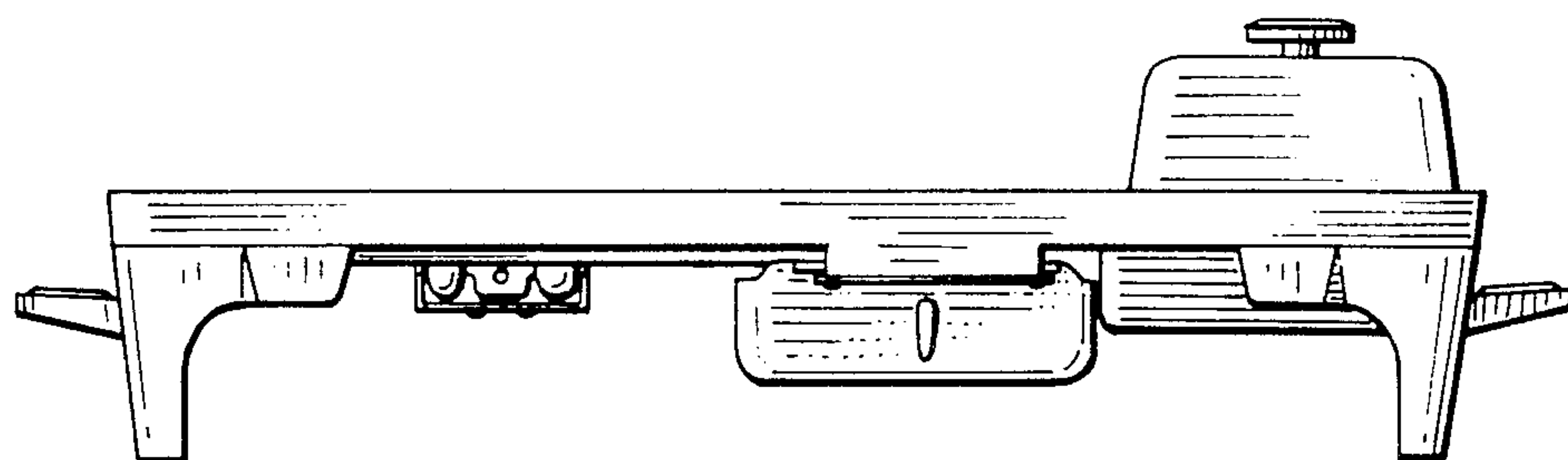


FIG. 3

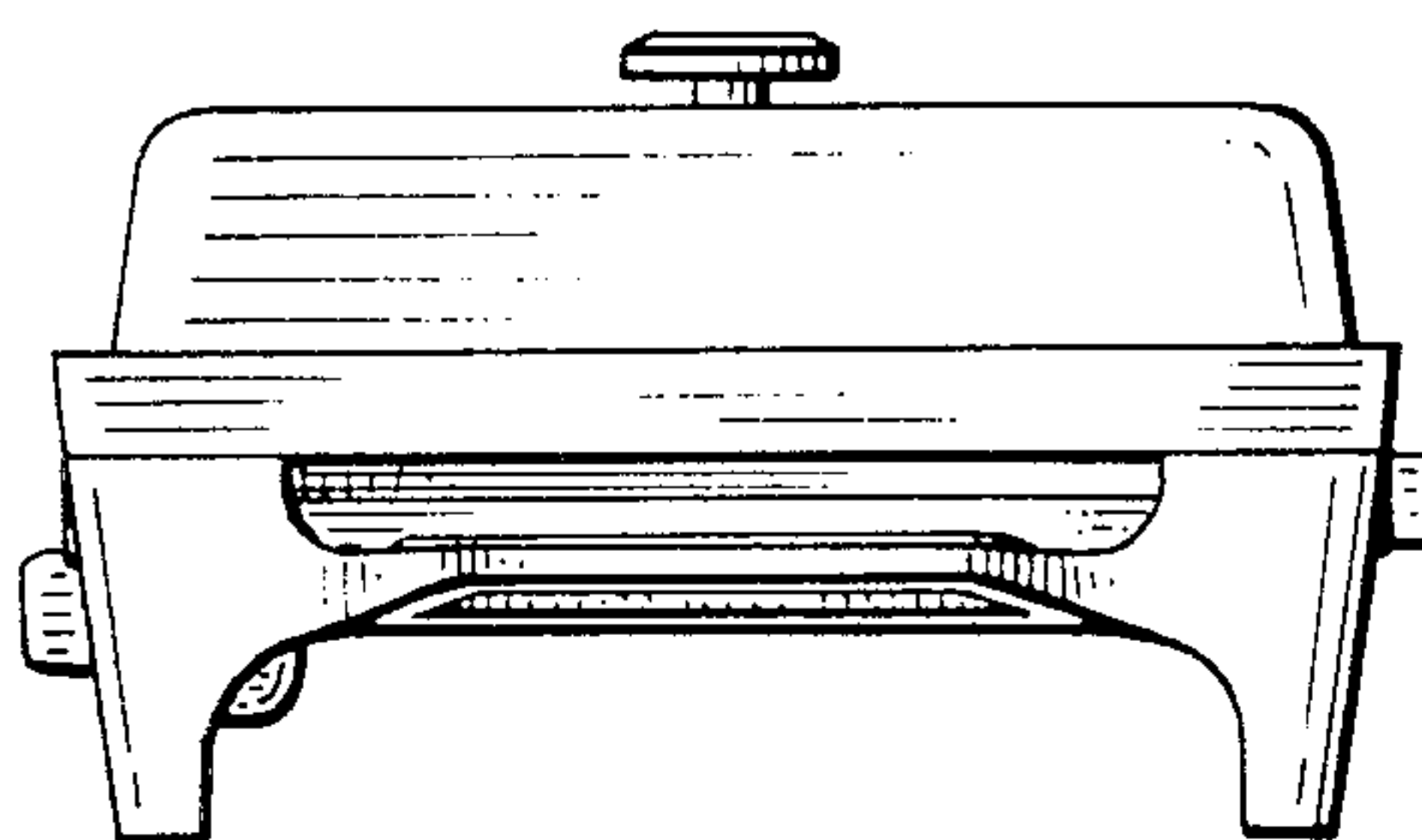


FIG. 4