

[54] **STACKABLE COOKPOT**

[75] **Inventor: Pierre A. Schaller, Lyons, France**

[73] **Assignee: Manufacture Metallurgique de Tournus, S.A., Tournus, France**

[\*\*] **Term: 14 Years**

[21] **Appl. No.: 500,388**

[22] **Filed: Jun. 2, 1983**

[52] **U.S. Cl. .... D7/356**

[58] **Field of Search ..... D7/356, 354, 360, 40, D7/18, 16; 99/448; 126/369.2, 266; 220/4 D, 206, 94 R, 94 A**

[56] **References Cited**

**U.S. PATENT DOCUMENTS**

D. 126,554	4/1941	Fletcher	.....	D7/359
D. 235,497	6/1975	Cyren	.....	D7/21
925,781	6/1909	Mathy	.....	D7/356 X
2,131,663	9/1938	Hughes	.....	220/94 A
3,641,926	2/1972	Williams et al.	.....	99/448

**FOREIGN PATENT DOCUMENTS**

667327 5/1958 Belgium ..... 220/4 D

**OTHER PUBLICATIONS**

*Industrial Design*, May/June 1978, p. 22, Waring Food Steamer.

*Primary Examiner*—Bernard Ansher

*Assistant Examiner*—Linda Titolo

*Attorney, Agent, or Firm*—Dennison, Meserole, Pollack & Scheiner

[57] **CLAIM**

The ornamental design for a stackable cookpot, as shown.

**DESCRIPTION**

FIG. 1 is a top perspective view of a stackable cookpot showing my new design, with three stackable cookpots and a lid shown.

FIG. 2 is a top plan view thereof;

FIG. 3 is a side elevational view thereof;

FIG. 4 is a bottom plan view thereof;

FIG. 5 is a left end elevational view thereof; and

FIG. 6 is a top perspective view of a single cookpot with lid showing my new design.

The side opposite of FIG. 3 is a mirror image thereof.

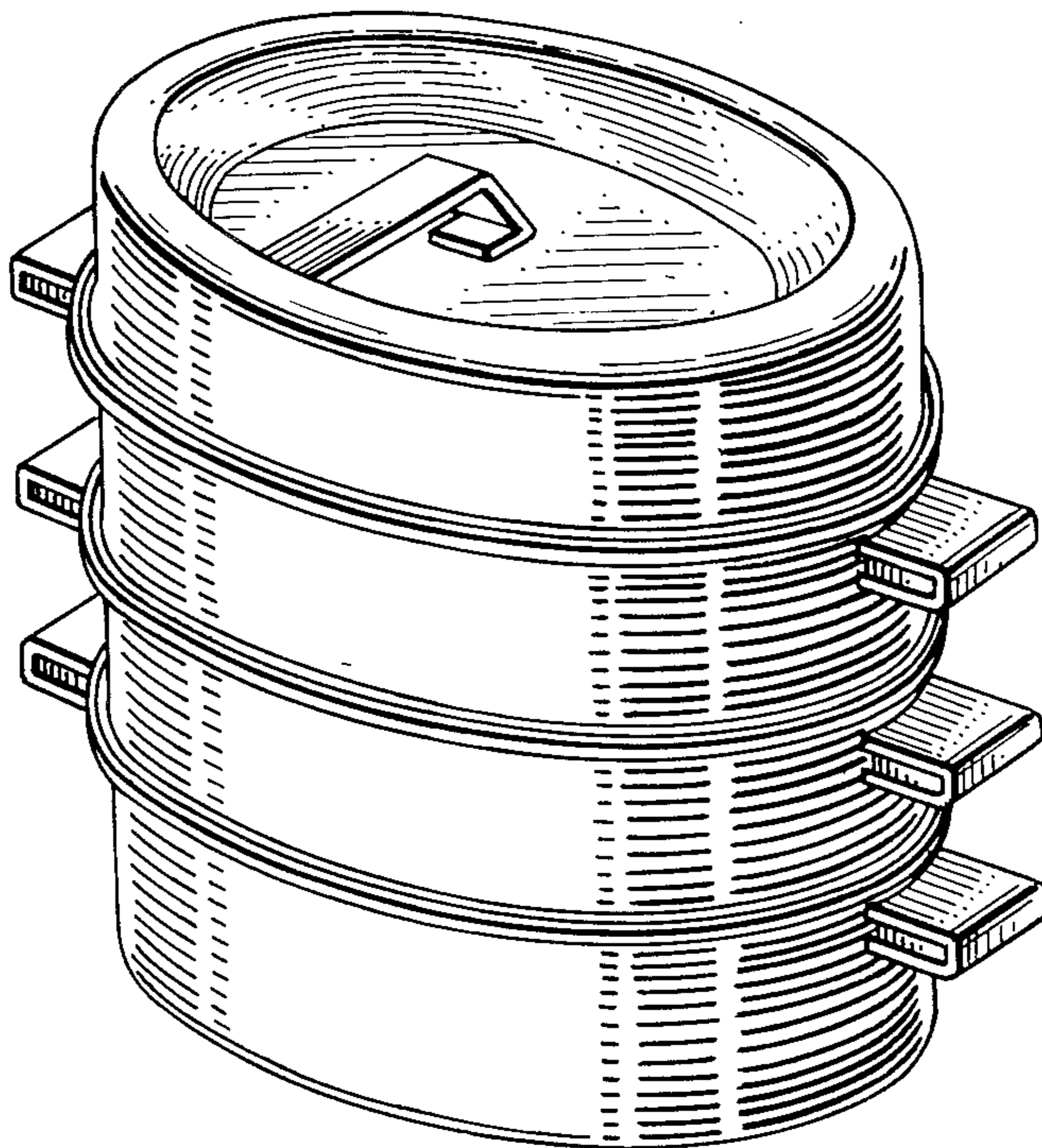


FIG. 1

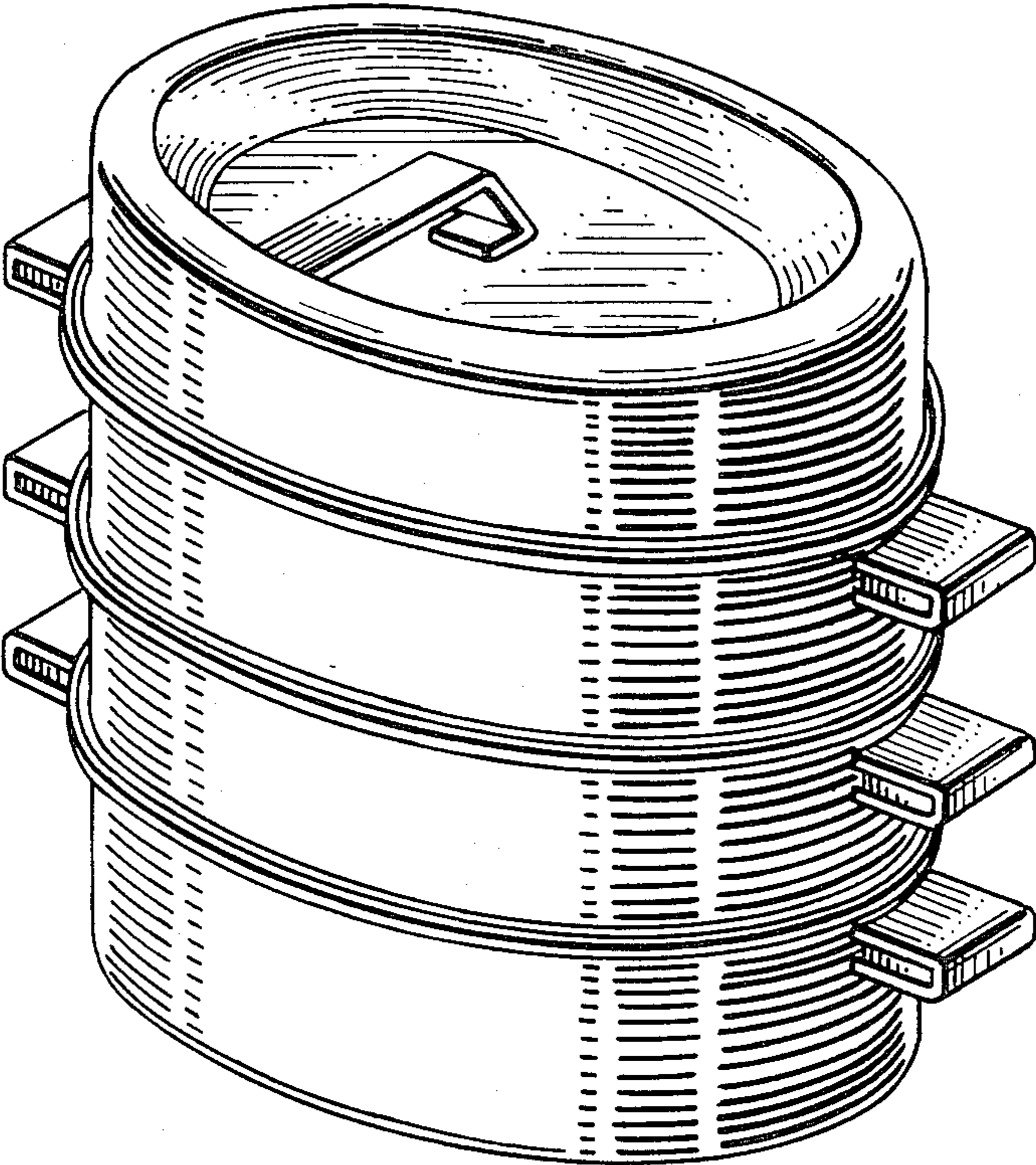


FIG. 5

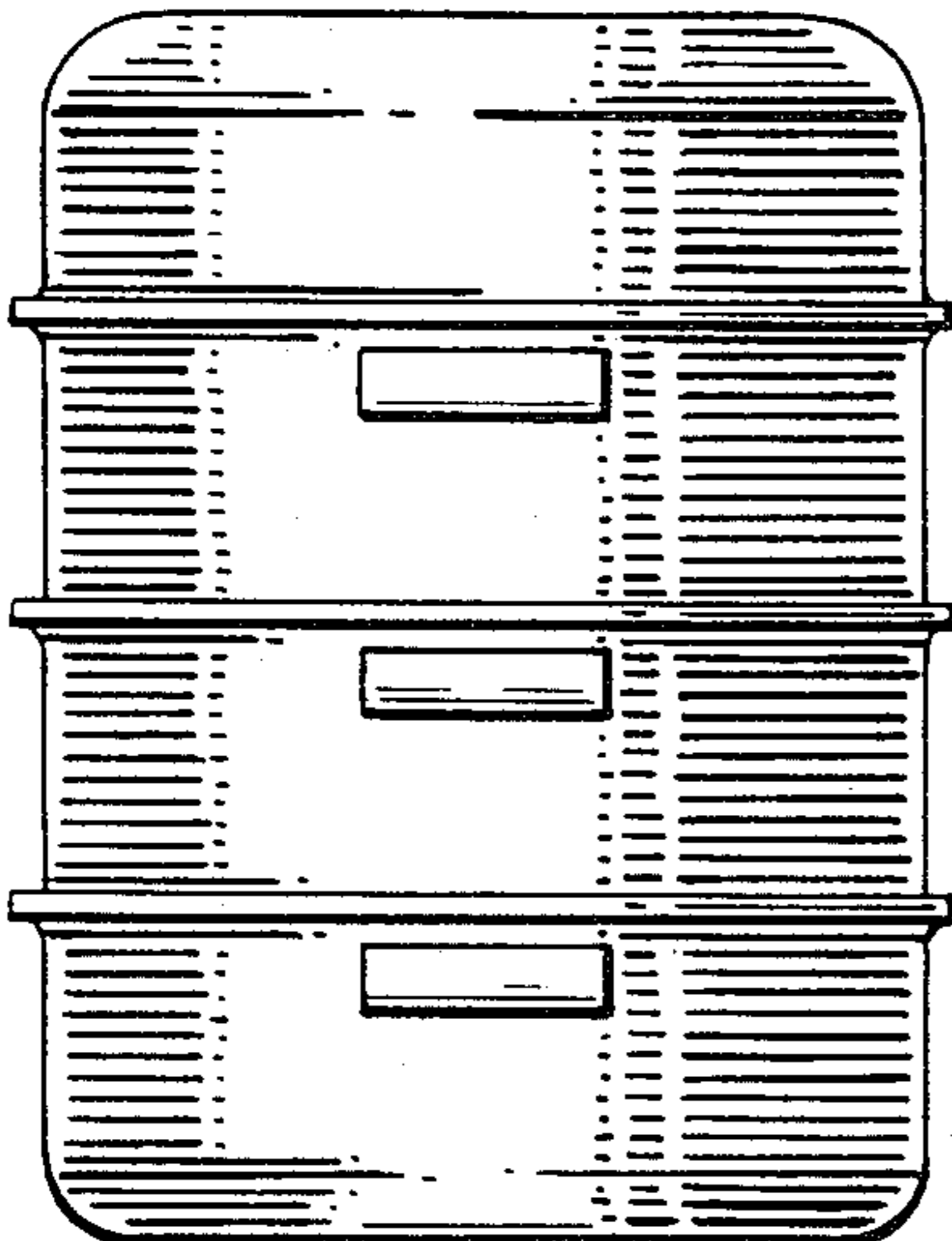


FIG. 6

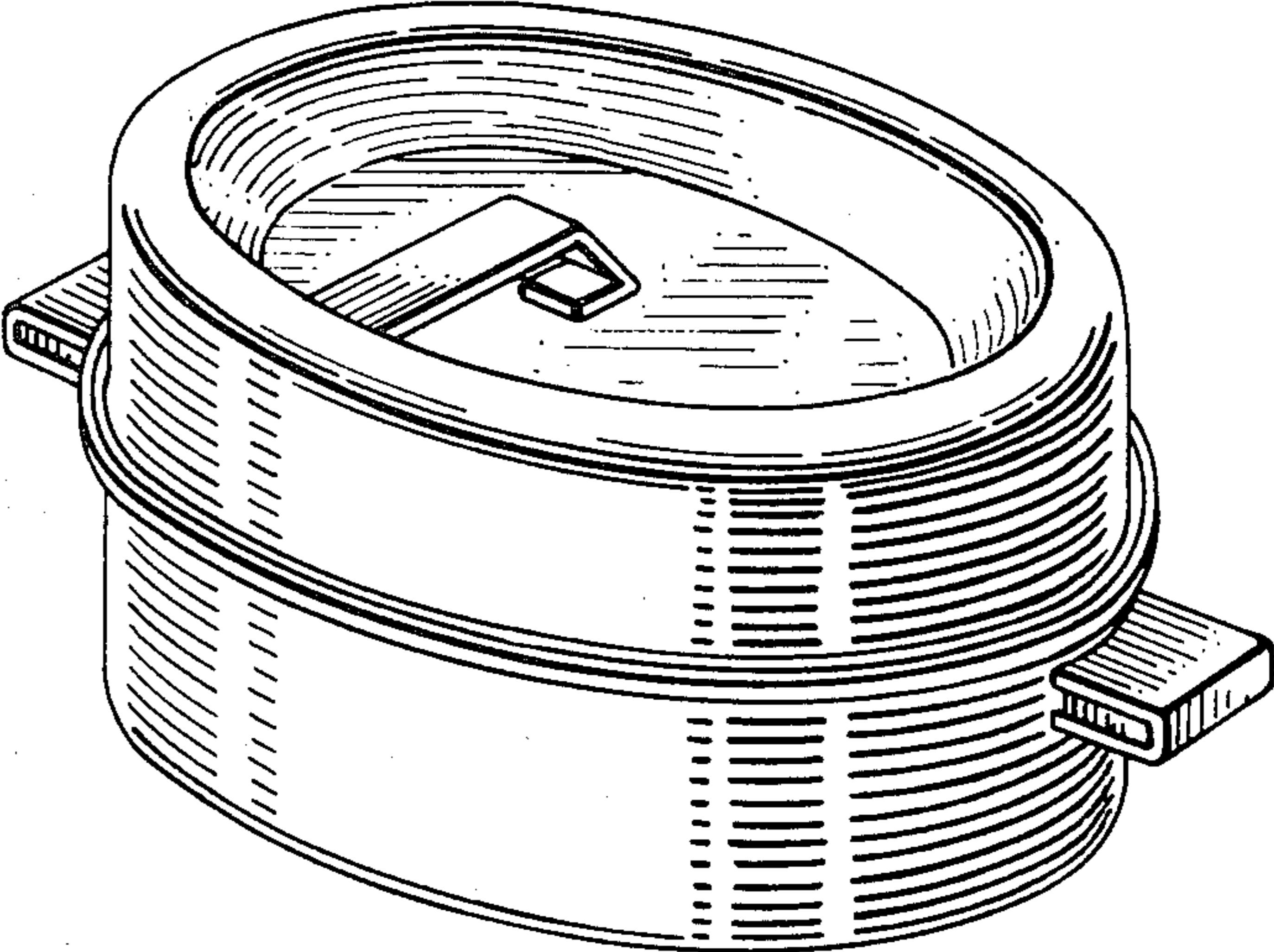




FIG. 2

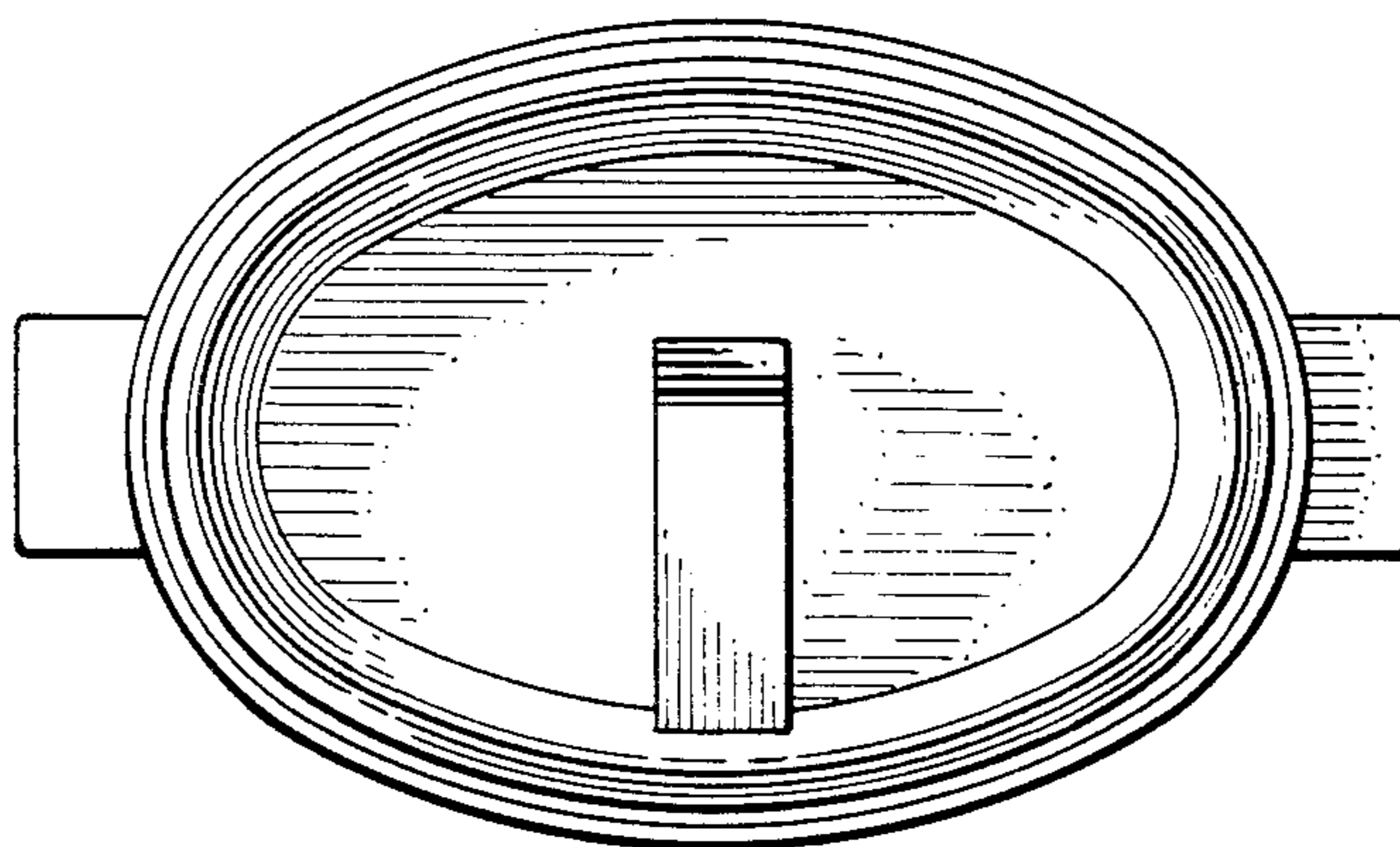


FIG. 3

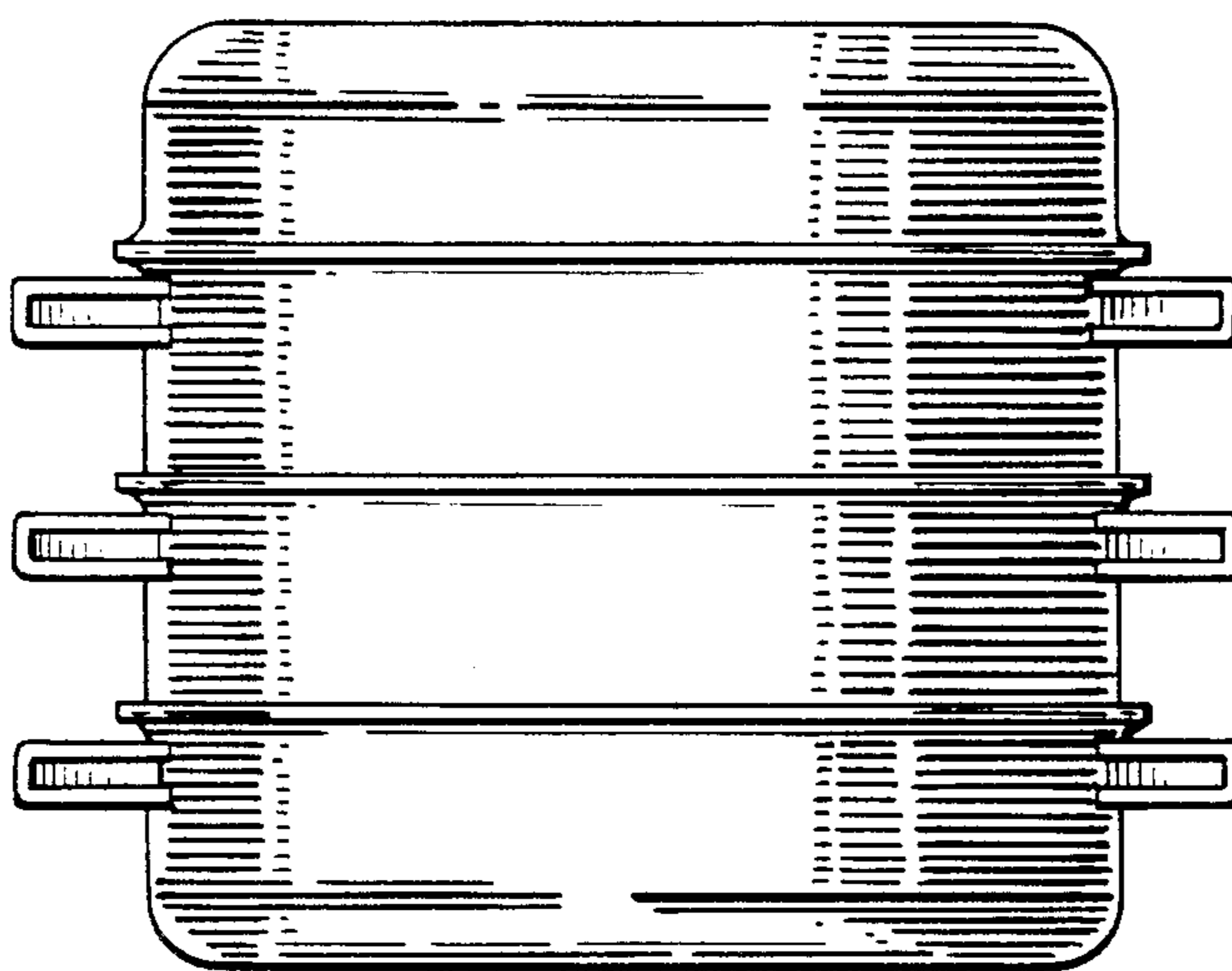


FIG. 4

