

- [54] **ARTICLE DISPLAY BRACKET**
- [75] **Inventor: Wilma R. Beach, Rhinebeck, N.Y.**
- [73] **Assignee: Daniel E. Gelles Associates, Inc.,
New York, N.Y.**
- [**] **Term: 14 Years**
- [21] **Appl. No.: 498,069**
- [22] **Filed: May 25, 1983**
- [52] **U.S. Cl. D6/572; D6/574**
- [58] **Field of Search D6/300, 308, 310, 314,
D6/319, 419-420, 429-431, 444, 446, 448, 450,
451, 470, 509-512, 524, 522, 523, 528, 531, 535,
546, 549, 552-553, 555, 559-563, 566-574;
D8/373; 248/447.1, 459, 441.1, 295.1, 243, 244,
300, 473, 469, 466; 211/26, 60.1, 70.1, 70.6,
70.8, 72, 73, 87, 88, 89, 90, 112, 126, 134, 135,
153; 108/25, 26.2, 29, 30, 42, 59, 137, 138, 144,
151, 152**

- [56] **References Cited**
U.S. PATENT DOCUMENTS
D. 225,707 1/1973 Brozen D6/574

D. 239,899	5/1976	Galcolm	D6/419
D. 252,000	6/1979	Smith, III	D6/574
955,734	4/1910	Wolkerstofer	D6/570
1,586,854	6/1926	Stansfield	211/171
2,141,008	12/1938	Meyer	211/134
2,309,769	2/1943	Hubbard	248/295.1
3,371,961	3/1968	Colgan	248/295.1

OTHER PUBLICATIONS

SP Industries, Inc, 1980, p. 6, Pair Displayers (10)
#AC122904, top of page.

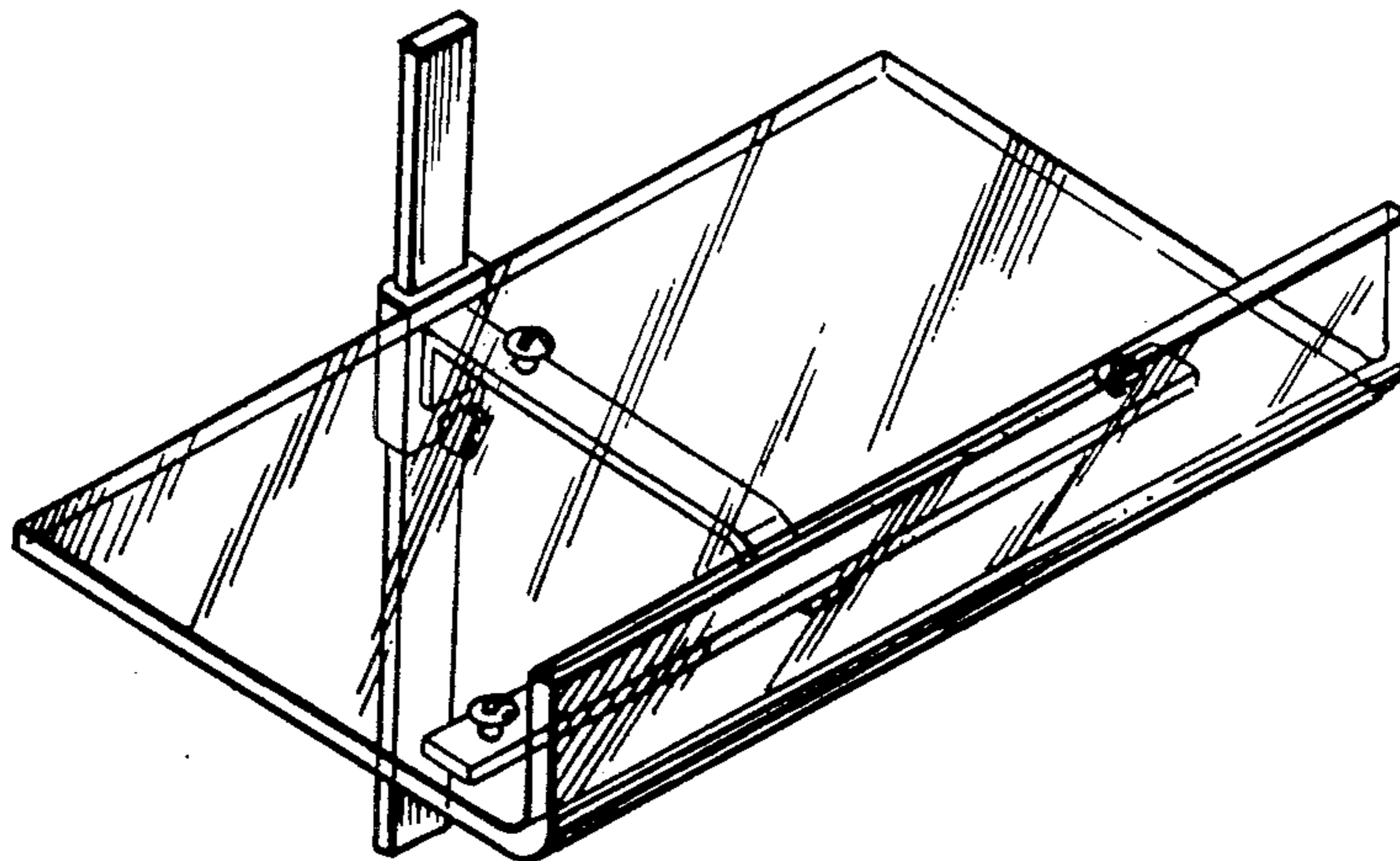
Primary Examiner—B. J. Bullock
Assistant Examiner—Suzanne N. Gitlin
Attorney, Agent, or Firm—Albert F. Kronman

[57] **CLAIM**

The ornamental design for an article display bracket,
substantially as shown and described.

DESCRIPTION

FIG. 1 is an isometric view of an article display bracket
showing my new design;
FIG. 2 is a front elevational view thereof;
FIG. 3 is a side elevational view thereof;
FIG. 4 is a bottom plan view thereof.



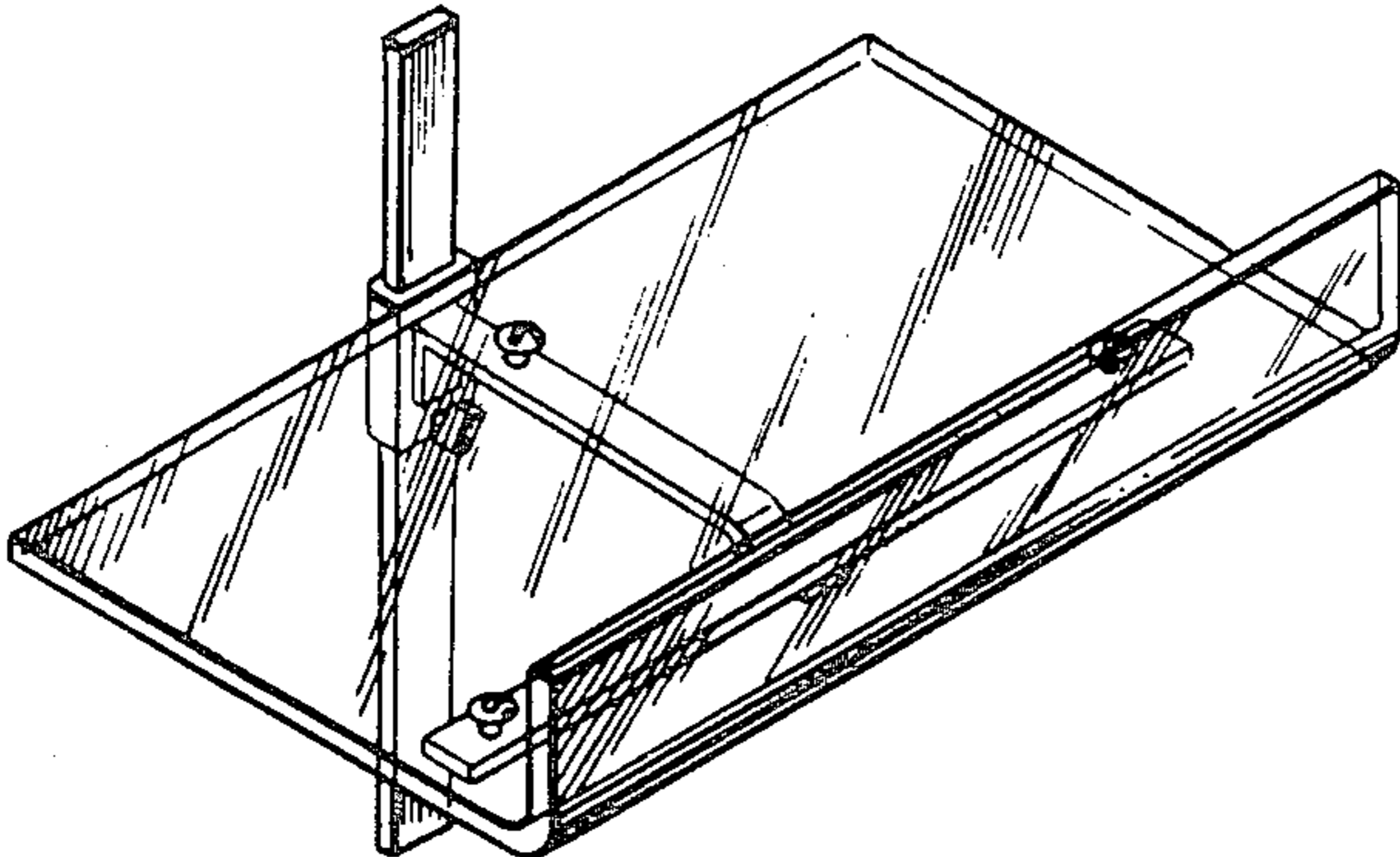


FIG. 1

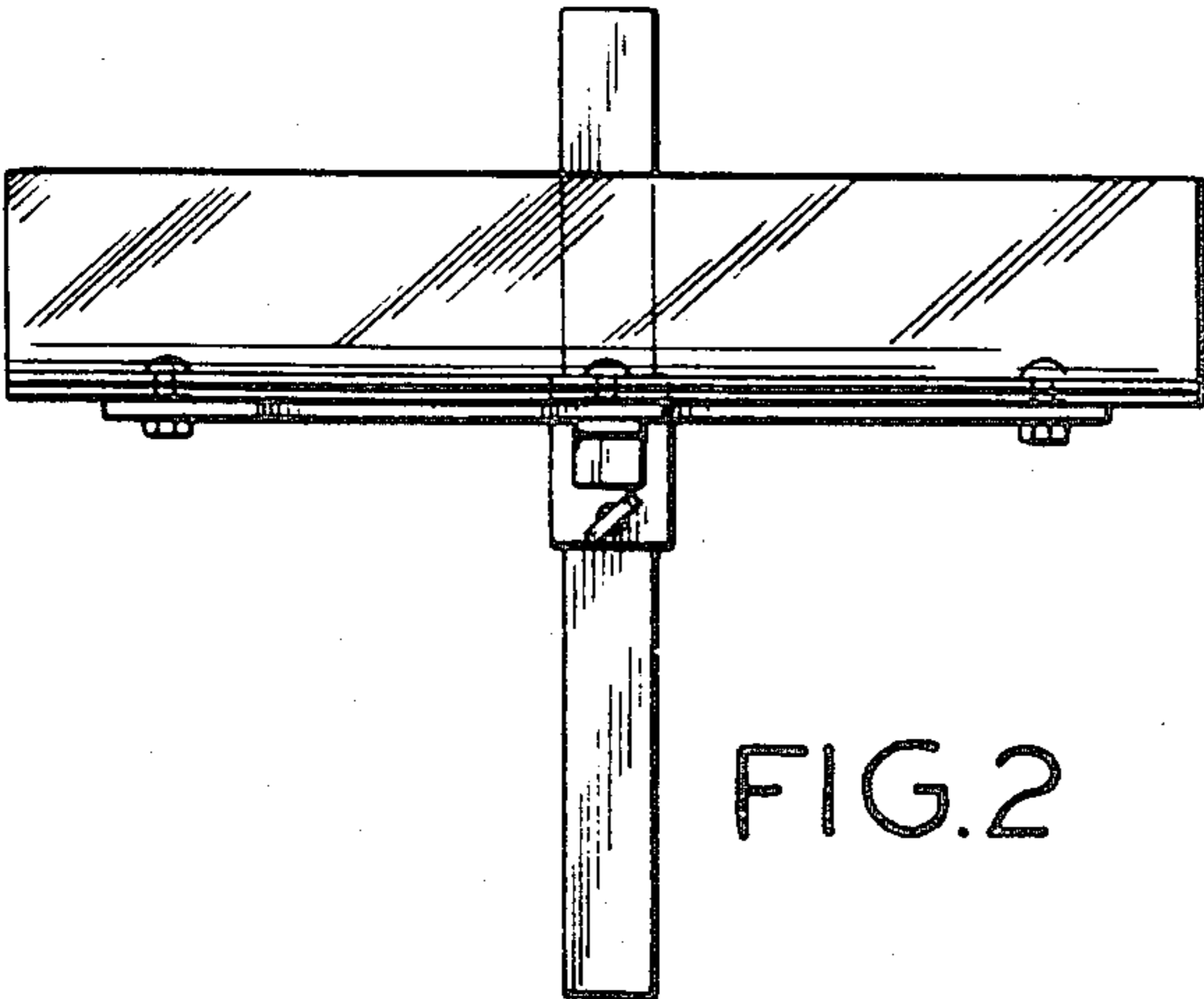


FIG. 2

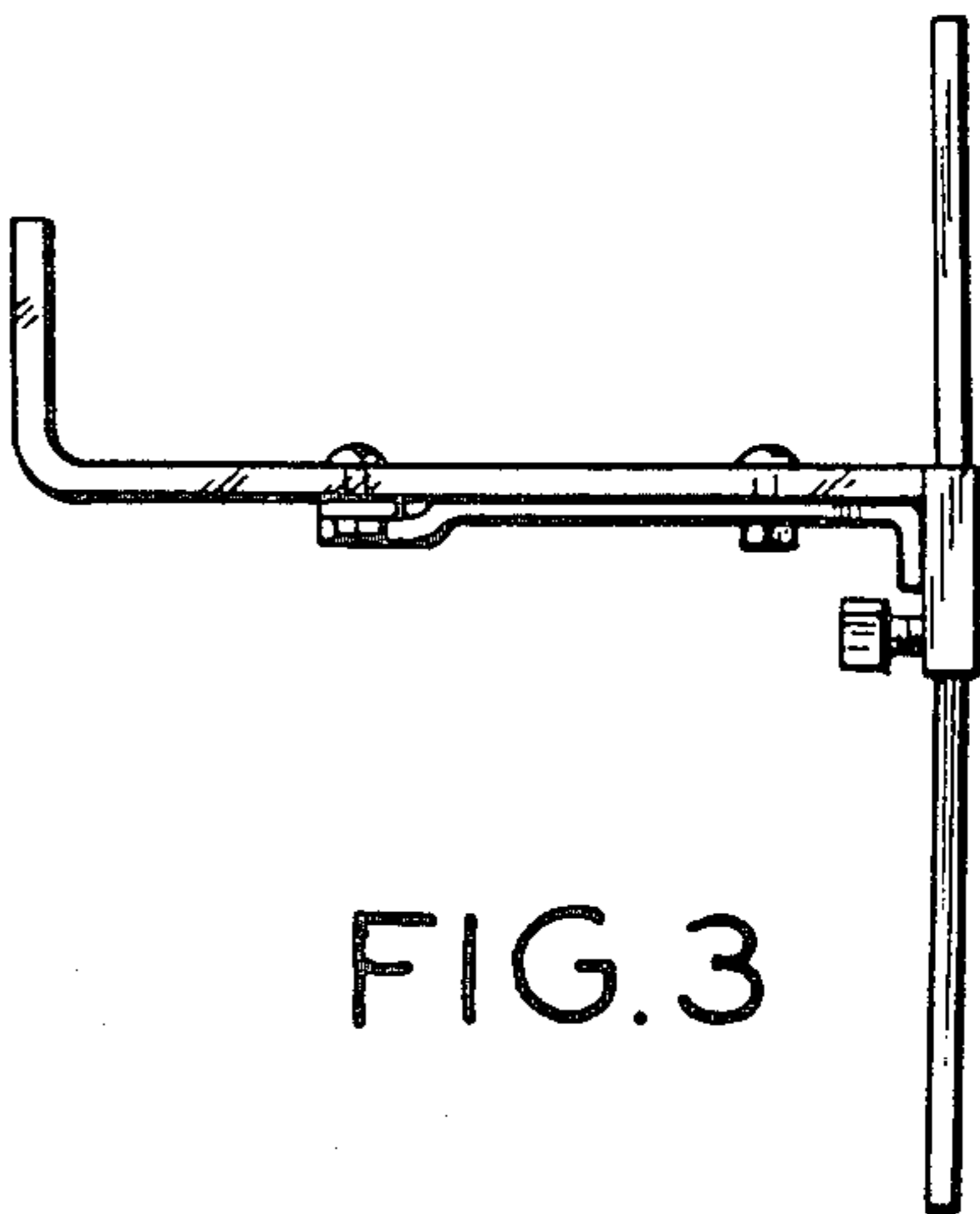


FIG. 3

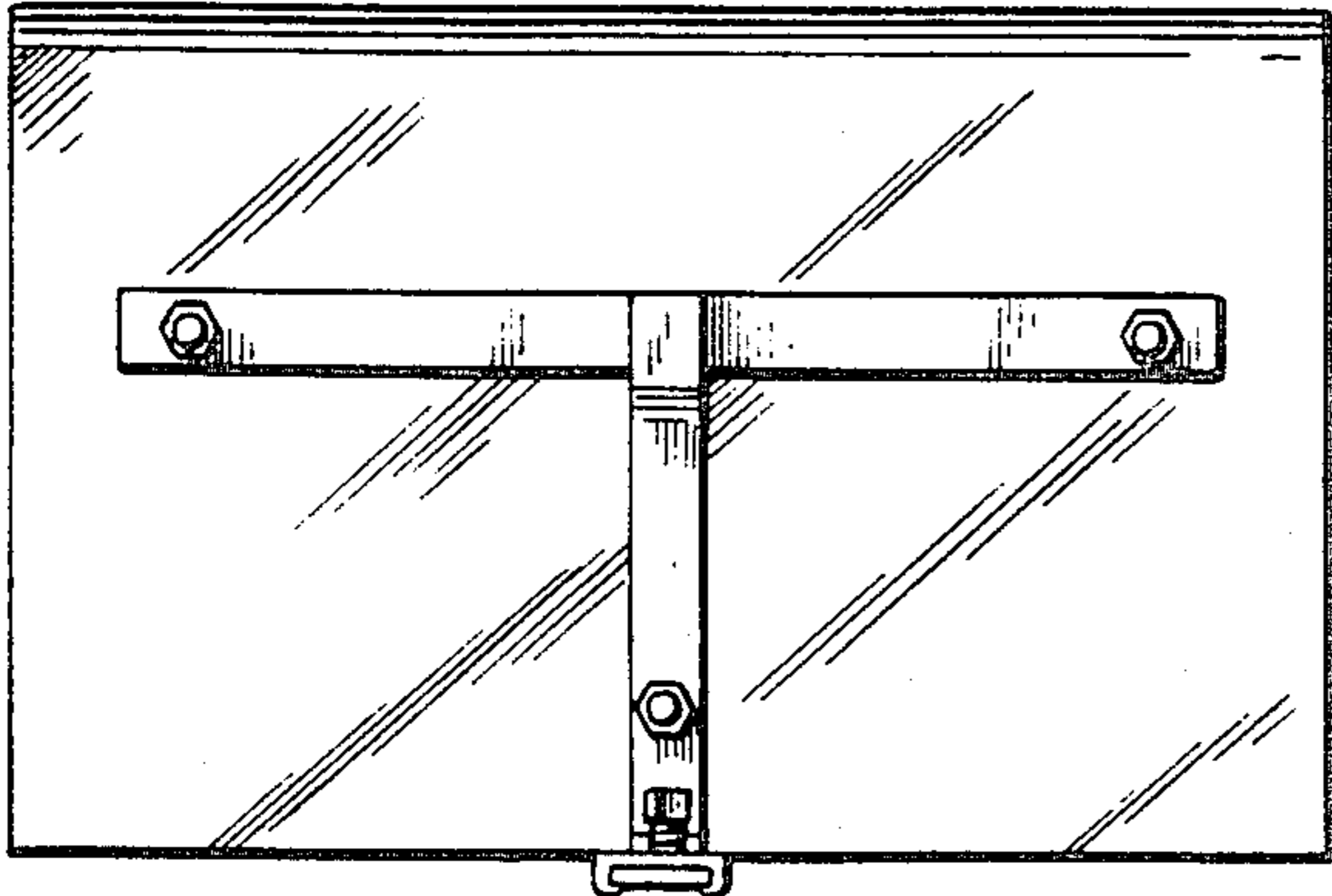


FIG. 4