

[54] **STAND FOR COMPUTER DISKS**

3,197,166 7/1965 Sandler ..... D6/467 X  
4,378,102 3/1983 Portis, Jr. et al. .... D6/310 X

[76] **Inventor: Edward M. Burns, 402 Oakham Pl., Noblesville, Ind. 46060**

**FOREIGN PATENT DOCUMENTS**

193332 2/1923 United Kingdom ..... 211/41

[\*\*] **Term: 14 Years**

*Primary Examiner*—Carmen H. Vales

[21] **Appl. No.: 501,572**

*Attorney, Agent, or Firm*—Woodard, Weikart, Emhardt & Naughton

[22] **Filed: Jun. 6, 1983**

[52] **U.S. Cl. .... D6/468; D6/310**

[57] **CLAIM**

[58] **Field of Search .... D6/449, 450, 466, 467, D6/407, 310, 311, 312, 313, 314, 468; 211/40, 41; 312/194-196**

The ornamental design for a stand for computer disks, as shown and described.

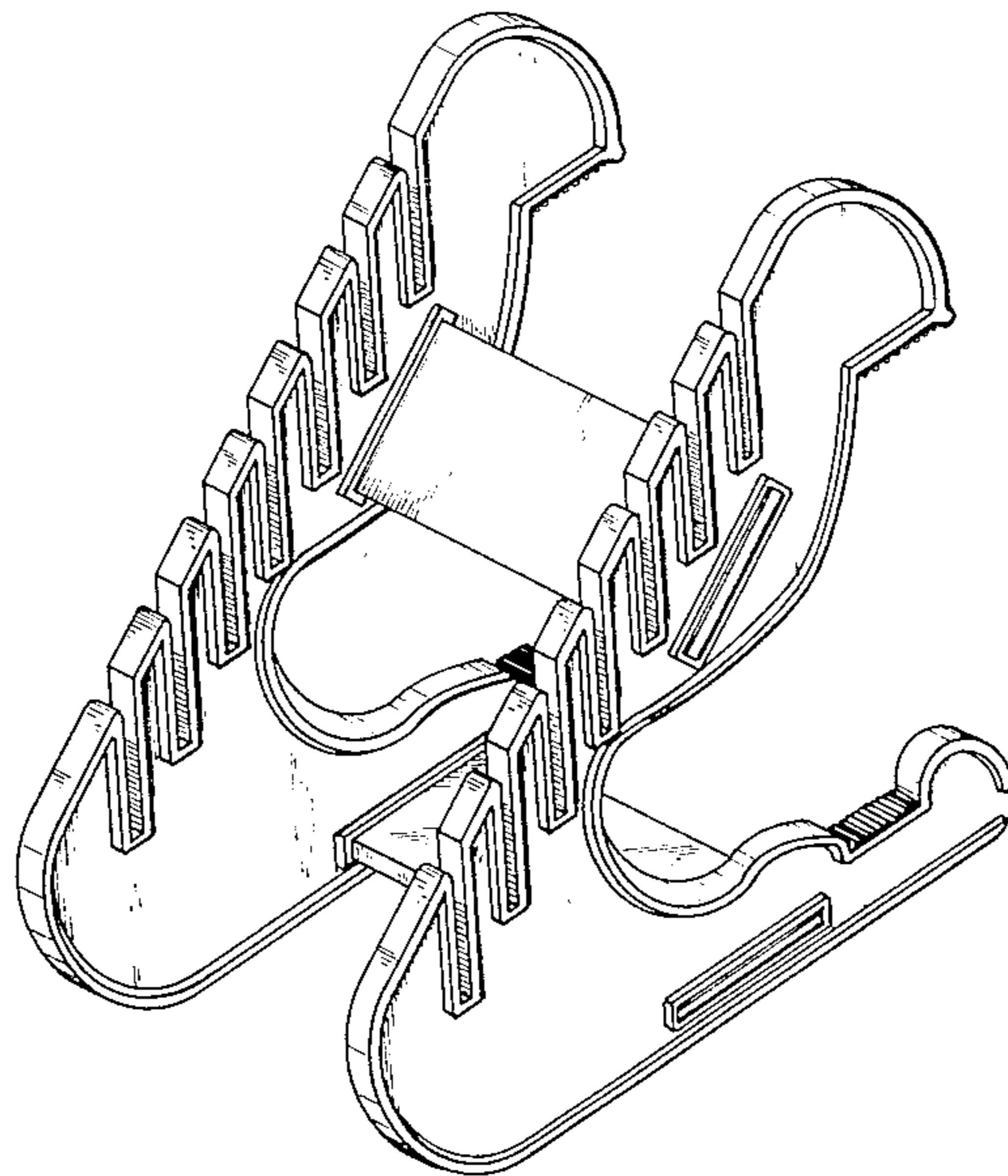
**DESCRIPTION**

[56] **References Cited**

**U.S. PATENT DOCUMENTS**

D. 157,082	1/1950	Patton .....	D6/450
D. 272,834	2/1984	Moore .....	D6/468 X
601,753	4/1898	Kaiser .....	211/41
1,518,216	12/1924	Onody .....	211/41
2,888,306	5/1959	Sease et al. ....	312/196

FIG. 1 is a perspective view of a stand for computer disks showing my new design;  
FIG. 2 is a front elevational view thereof;  
FIG. 3 is a right side elevational view thereof;  
FIG. 4 is a top plan view thereof;  
FIG. 5 is a bottom plan view thereof; and  
FIG. 6 is a rear elevational view thereof.



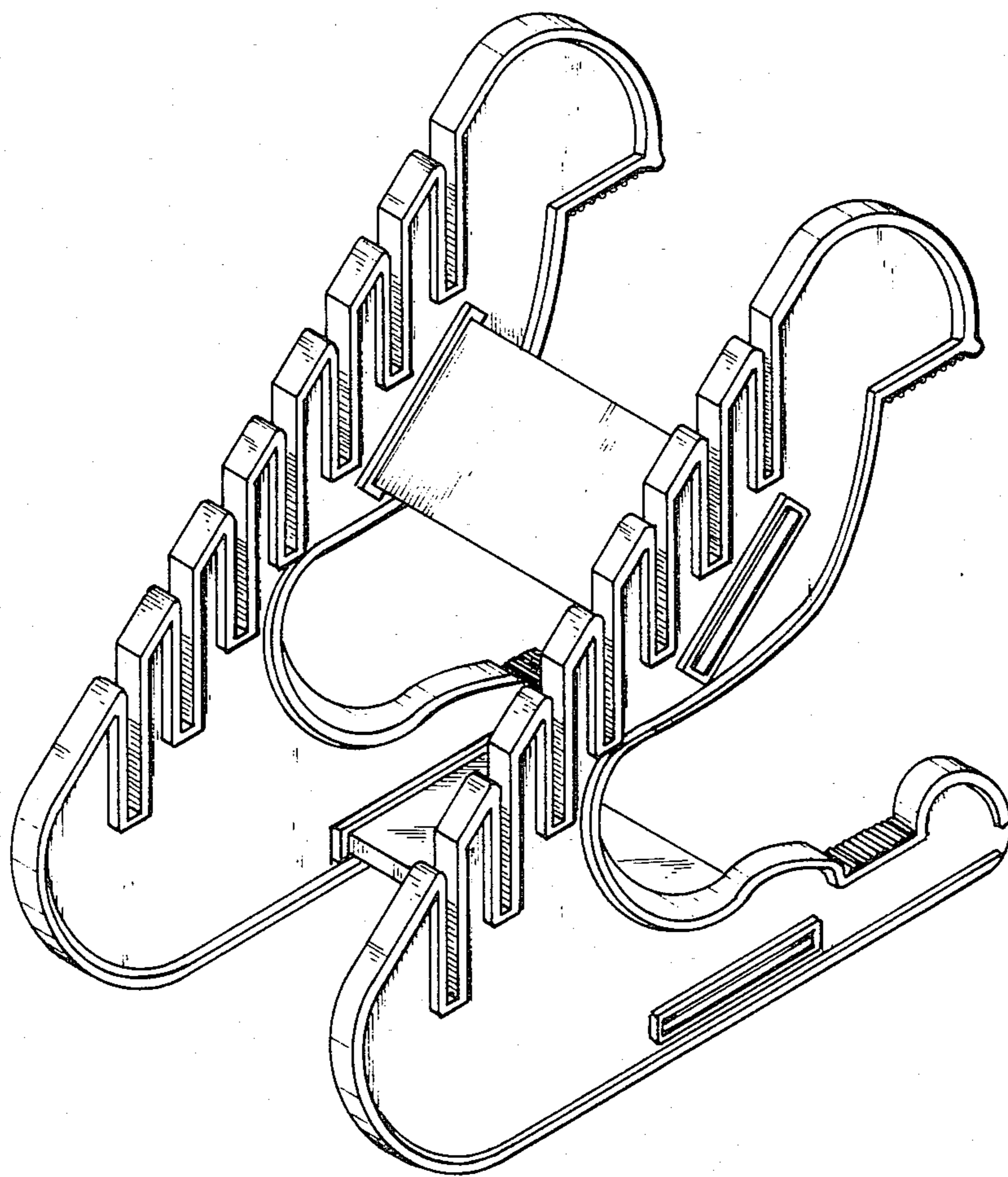


Fig. 1

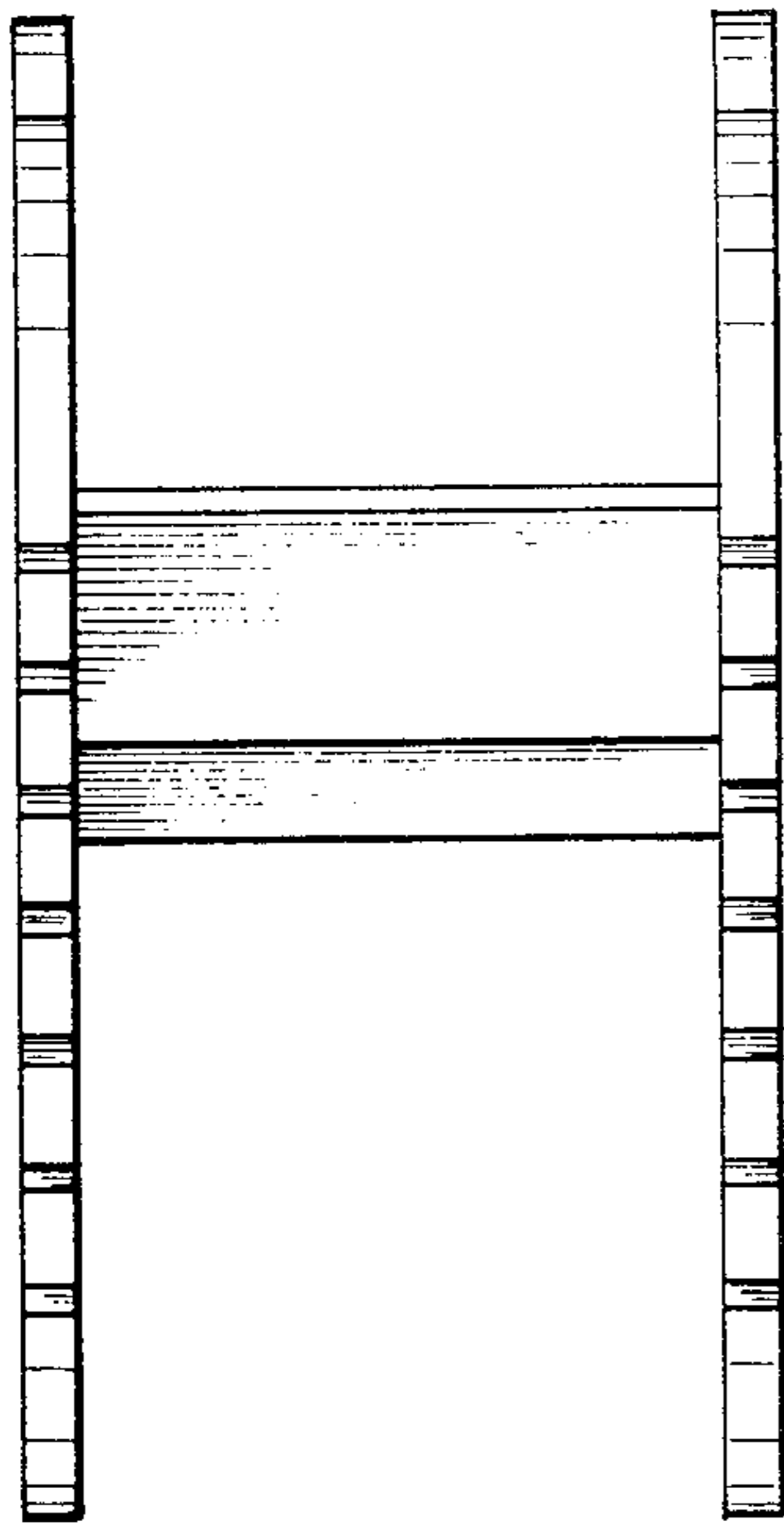


Fig. 4

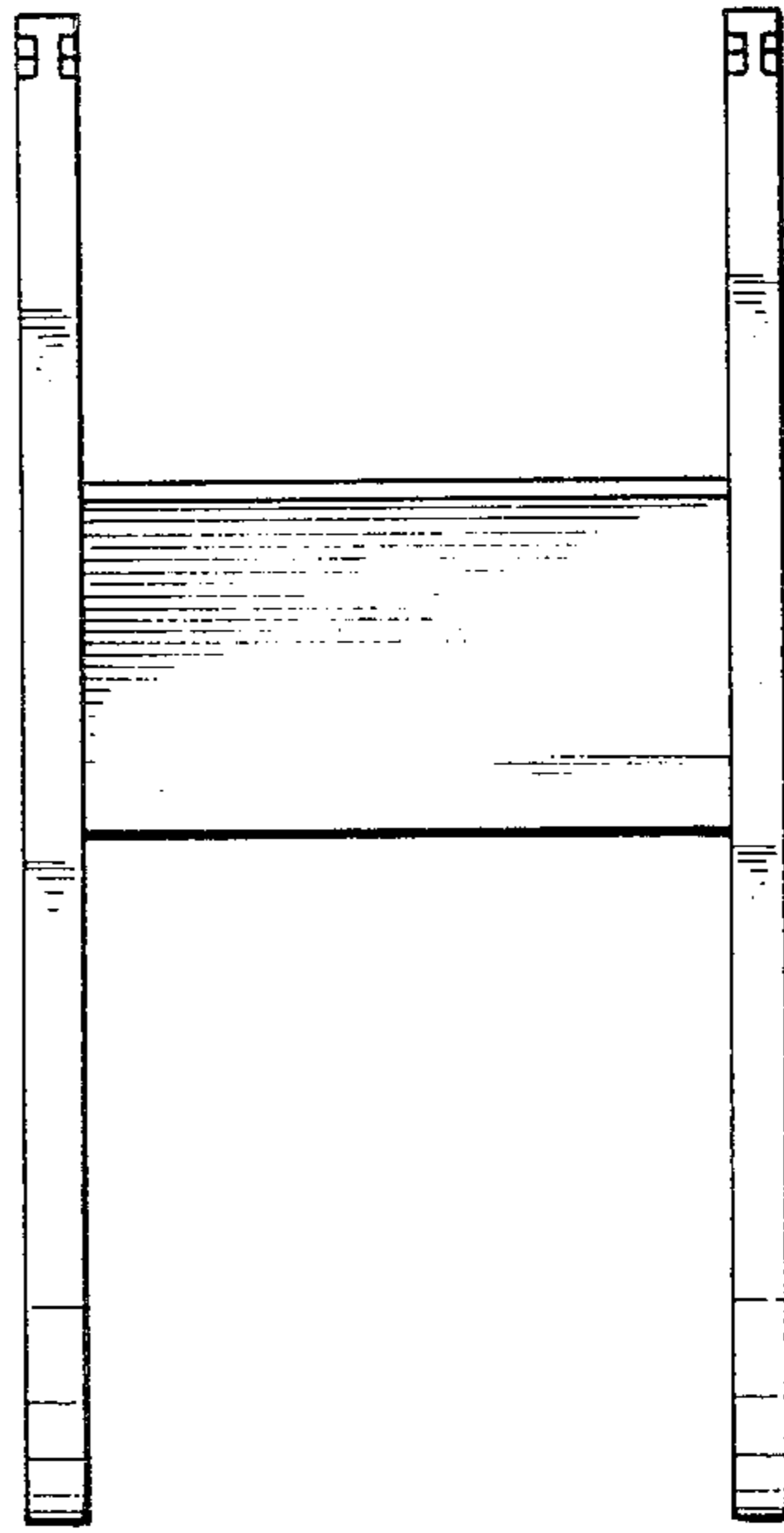


Fig. 5

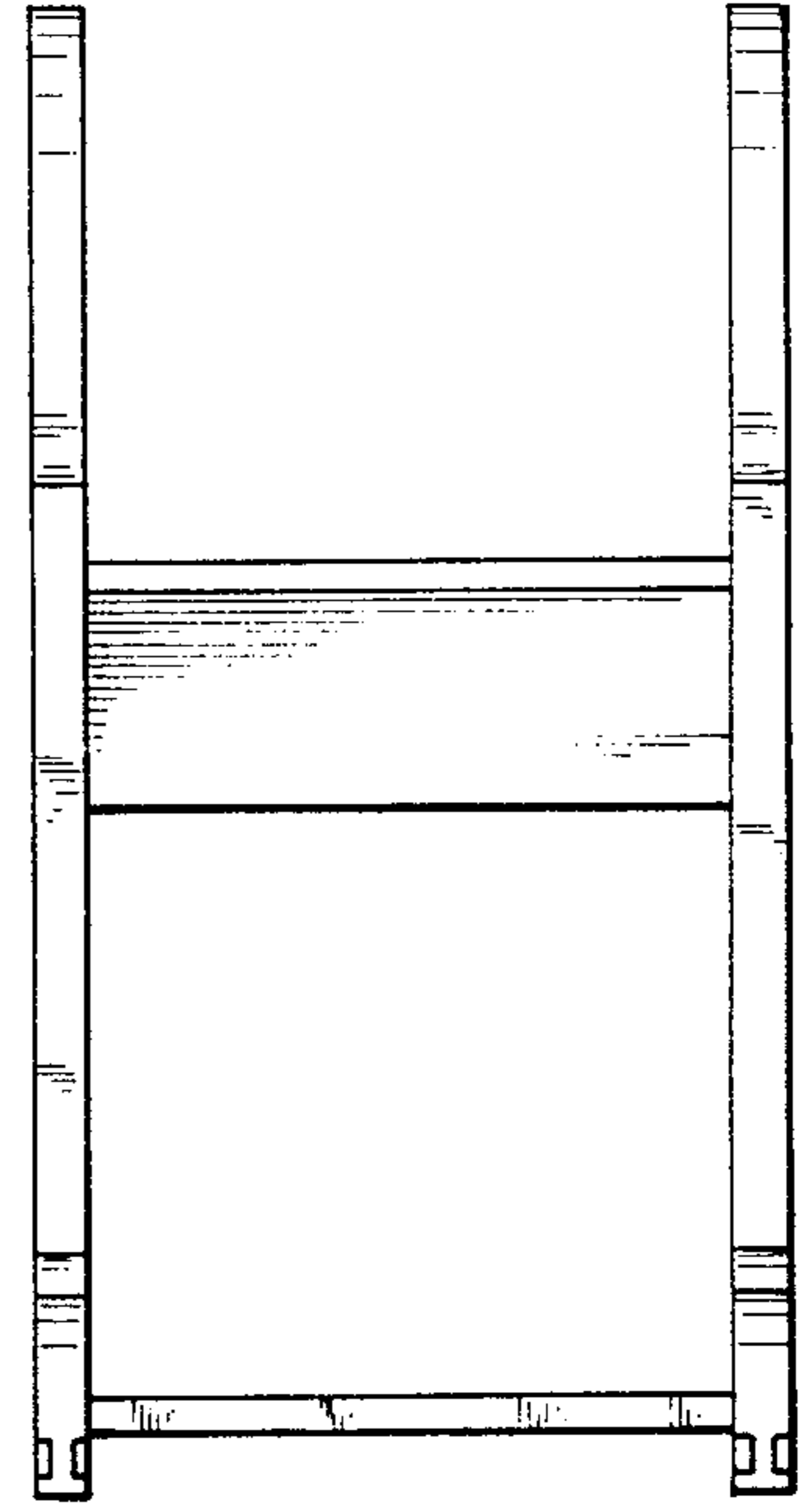


Fig. 6

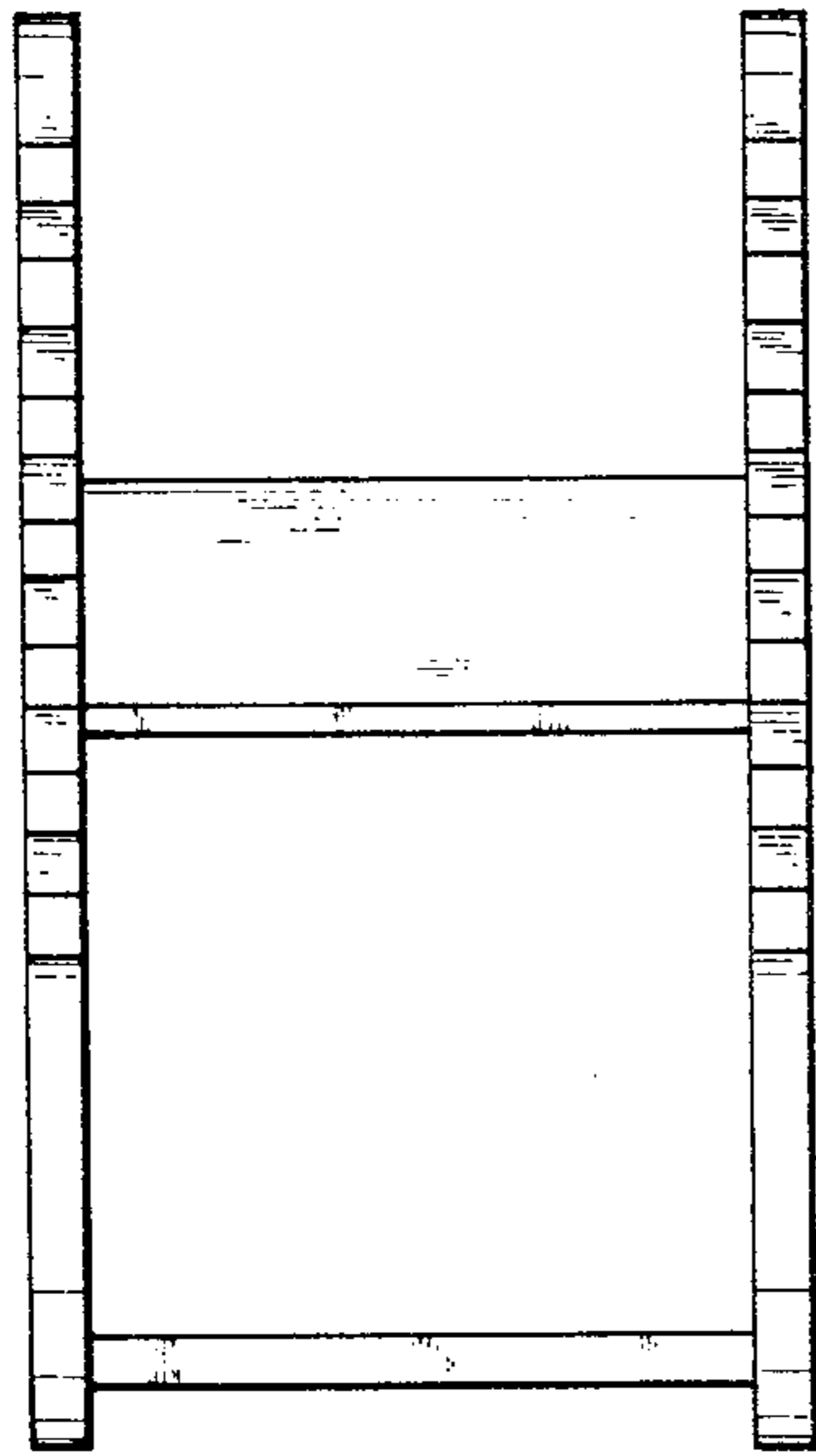


Fig. 2

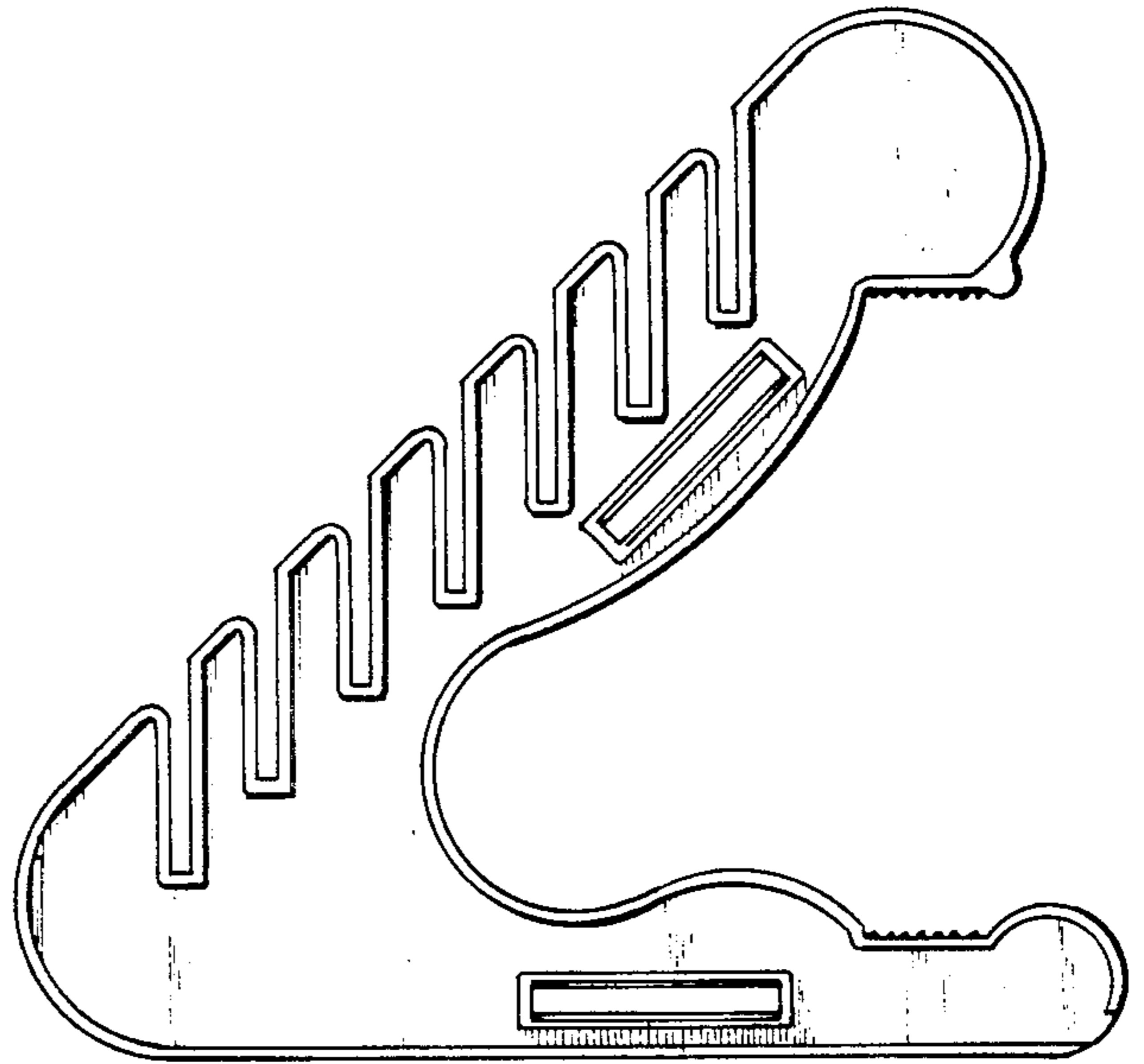


Fig. 3