

[54] TABLE

[75] Inventor: William B. Raftery, Arlington, Tex.

[73] Assignee: Steelcase Inc., Grand Rapids, Mich.

[**] Term: 14 Years

[21] Appl. No.: 494,176

[22] Filed: May 13, 1983

[52] U.S. Cl. D6/449; D6/456; D6/470; D6/483

[58] Field of Search D6/456, 449, 470, 480, D6/483, 484

[56] References Cited

U.S. PATENT DOCUMENTS

- D. 194,850 3/1963 McCord D6/480 X
- D. 238,335 1/1976 Ocko et al. D6/470 X
- D. 261,955 11/1981 Aronowitz et al. D6/364
- D. 270,308 8/1983 Aronowitz et al. D6/480

D. 276,964 1/1985 Boland, II D6/470

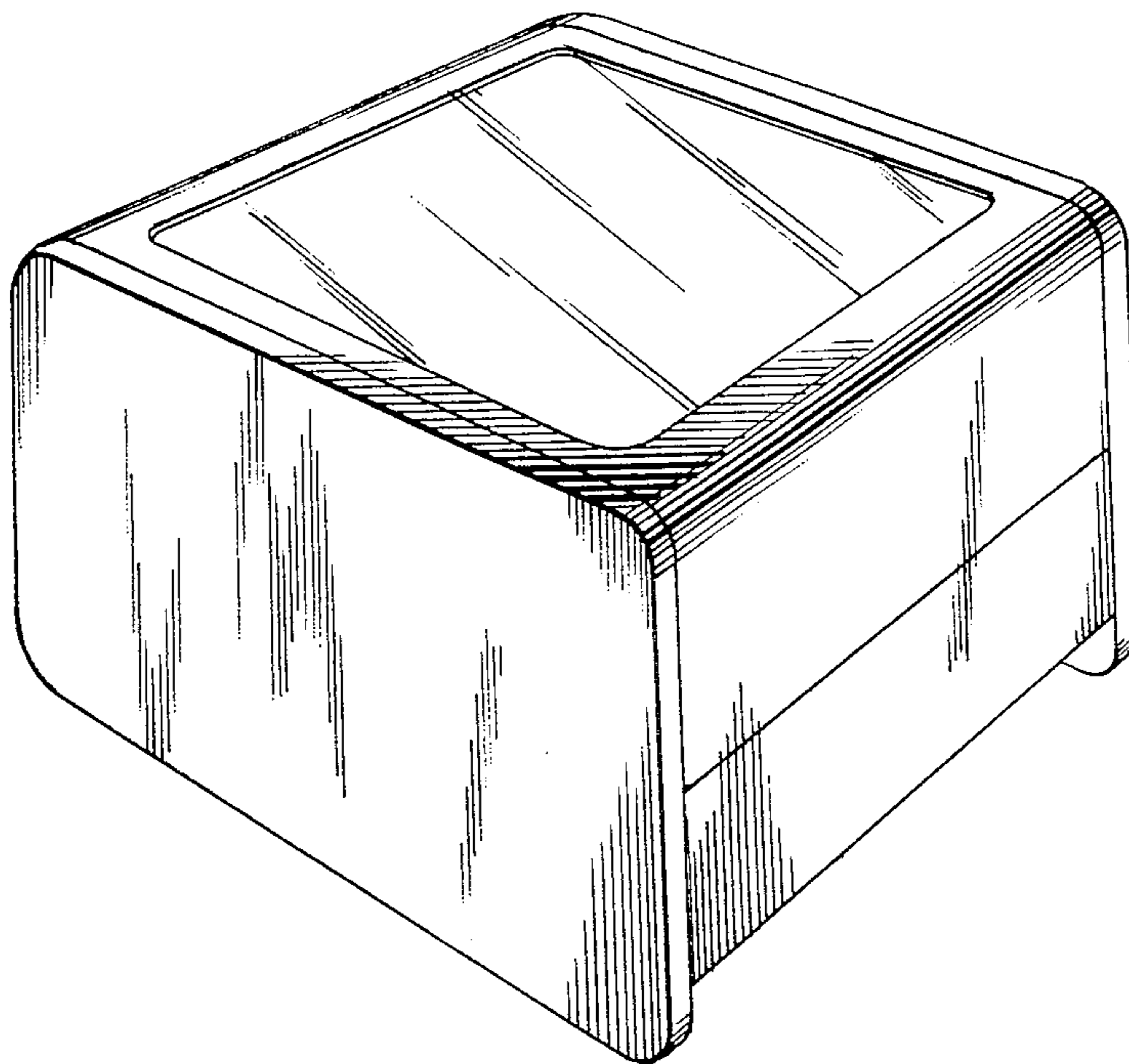
Primary Examiner—Bruce W. Dunkins
Attorney, Agent, or Firm—Price, Heneveld, Huizenga & Cooper

[57] CLAIM

The ornamental design for a table, as shown and described.

DESCRIPTION

FIG. 1 is a front perspective view of a first embodiment of my table design;
 FIG. 2 is a side elevational view thereof, the opposite side being identical in all respects thereto;
 FIG. 3 is a front elevational view thereof, the rear elevational view thereof being identical in all respects thereto;
 FIG. 4 is a top plan view thereof;
 FIG. 5 is a rear perspective view of a second embodiment of the table of FIG. 1; and
 FIG. 6 is a front perspective view thereof.



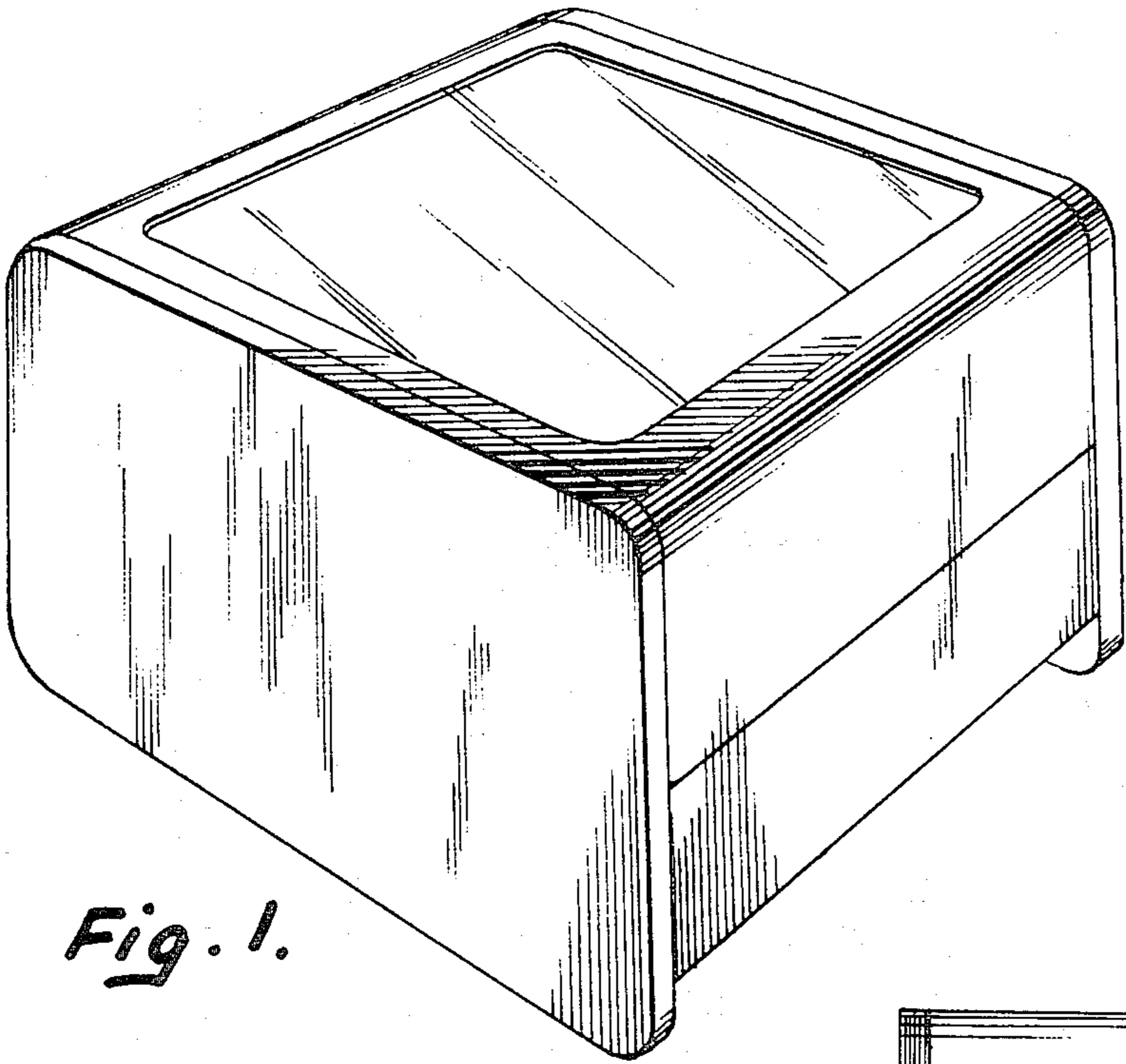


Fig. 1.

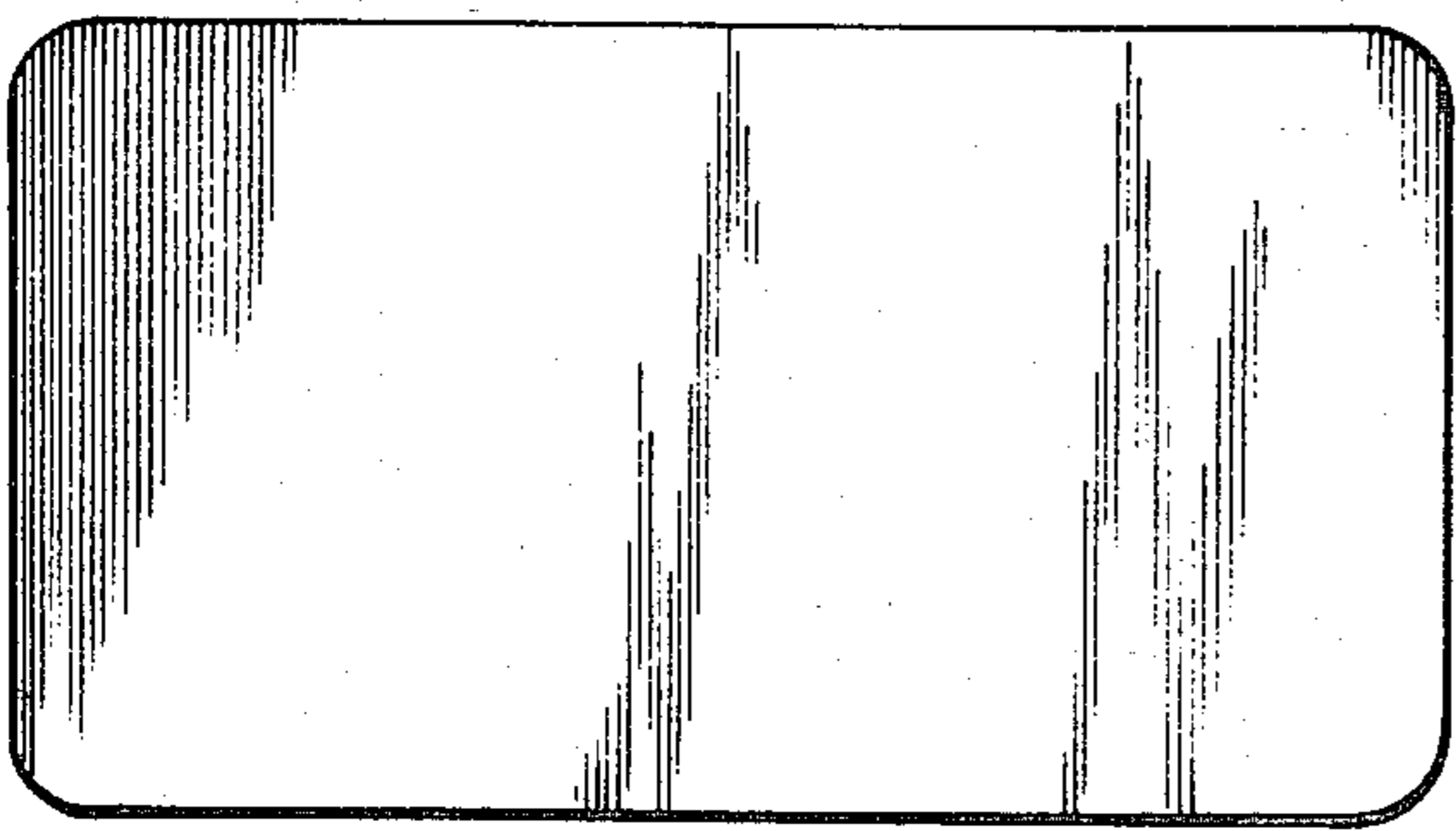


Fig. 2.

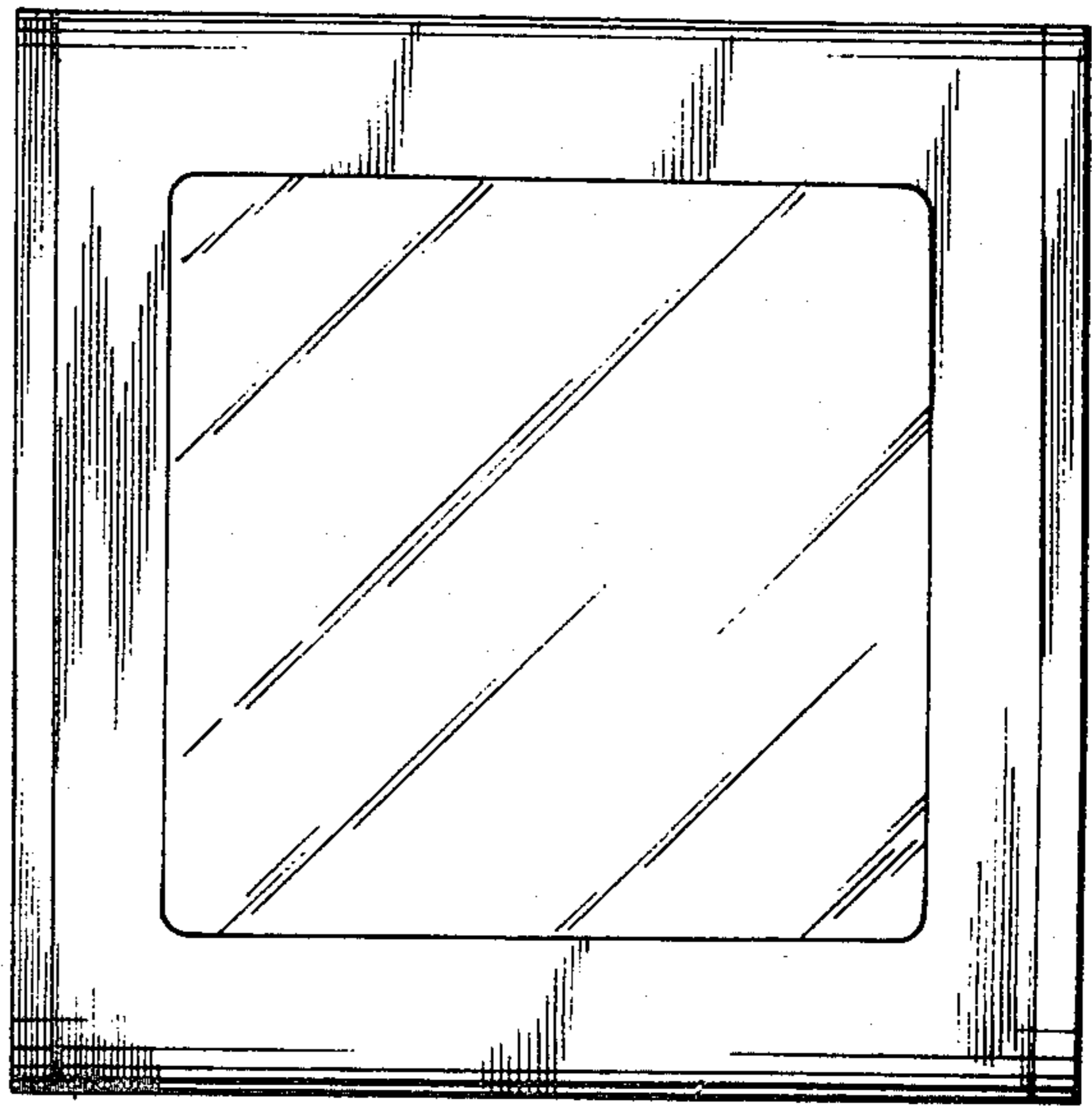


Fig. 4.

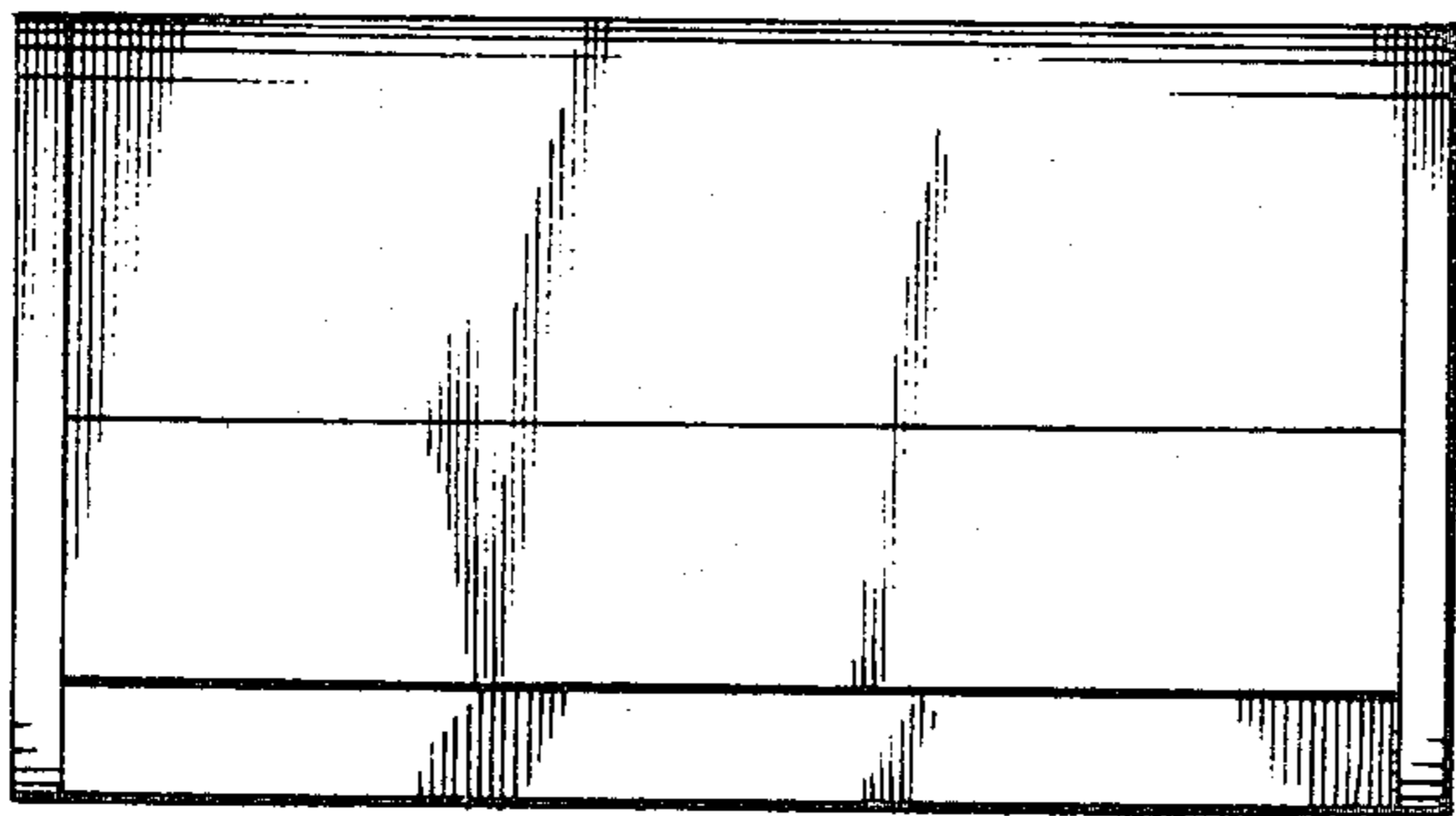


Fig. 3.

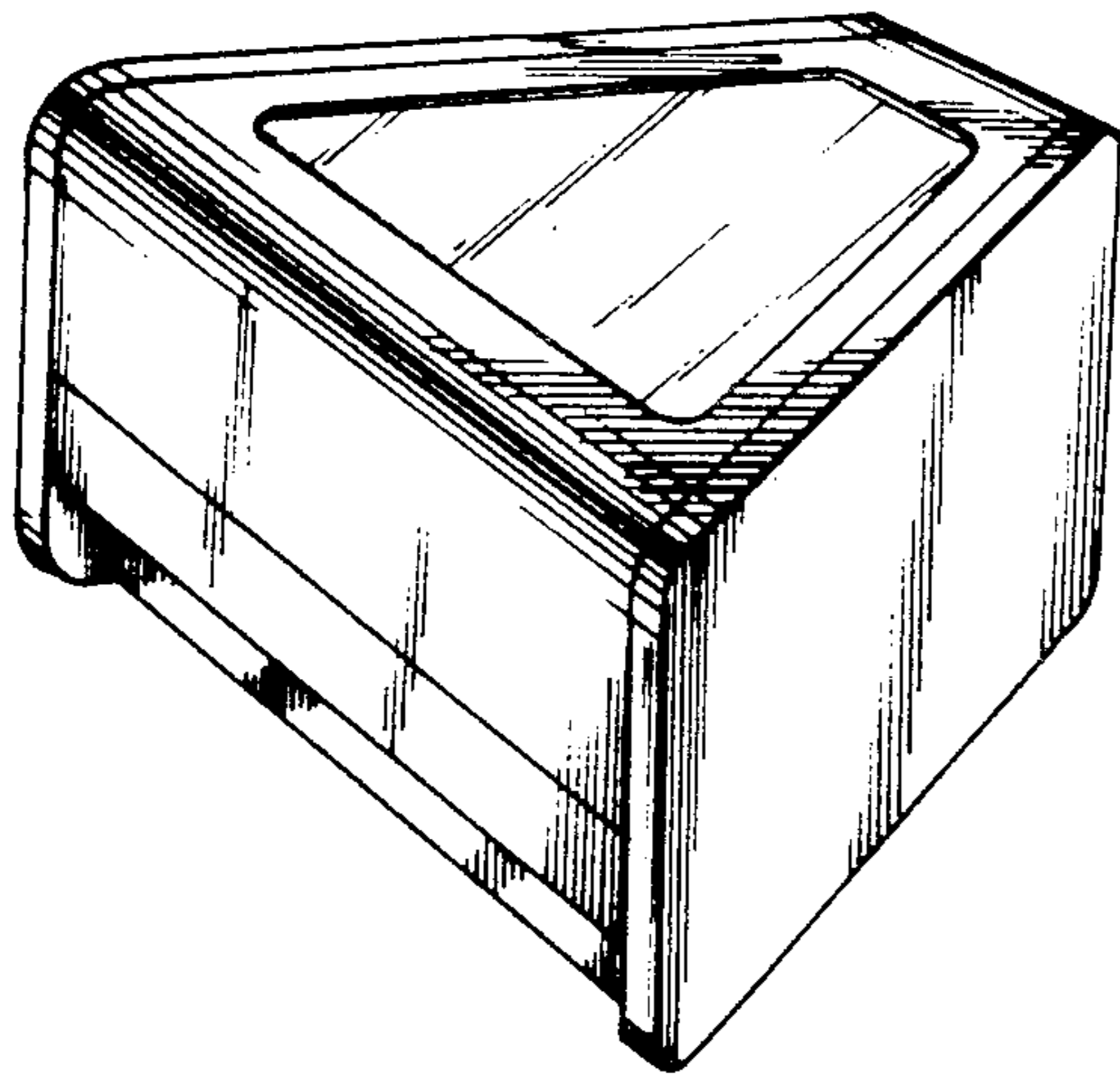


Fig. 6.

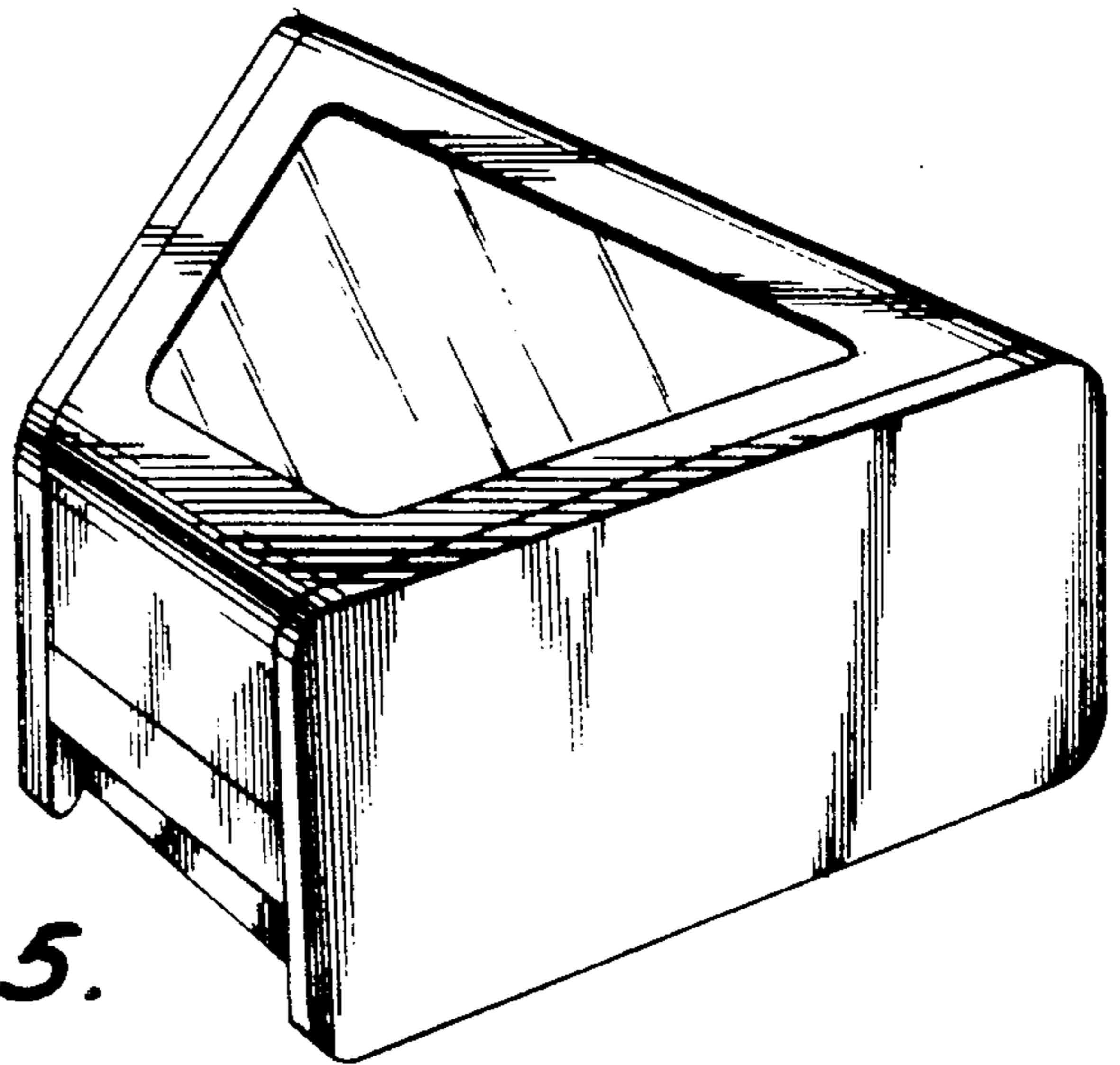


Fig. 5.