

[54] CABINET FOR VIDEO CASSETTES OR THE LIKE

[75] Inventor: Joseph M. Armbruster, Lighthouse Point, Fla.

[73] Assignee: Eagle-Picher Industries, Inc., Ohio

[**] Term: 14 Years

[21] Appl. No.: 490,370

[22] Filed: May 2, 1983

[52] U.S. Cl. D6/407; D3/35

[58] Field of Search D6/432, 466, 467, 477, D6/478, 479, 559, 561, 407, 408; D3/35, 74; 206/387; 312/8, 9, 10, 11, 12, 13, 14; 211/40, 42

[56] References Cited

U.S. PATENT DOCUMENTS

D. 235,833	7/1975	McRae	D6/407
D. 257,306	10/1980	Aboussouan	D6/407
D. 267,616	1/1983	Thompson	D6/407
640,315	1/1900	Parmelee	211/42 X
989,031	4/1911	Oliver	312/12
2,740,682	4/1956	Keiper	312/12

FOREIGN PATENT DOCUMENTS

153810	11/1920	United Kingdom	312/13
958689	5/1964	United Kingdom	312/13

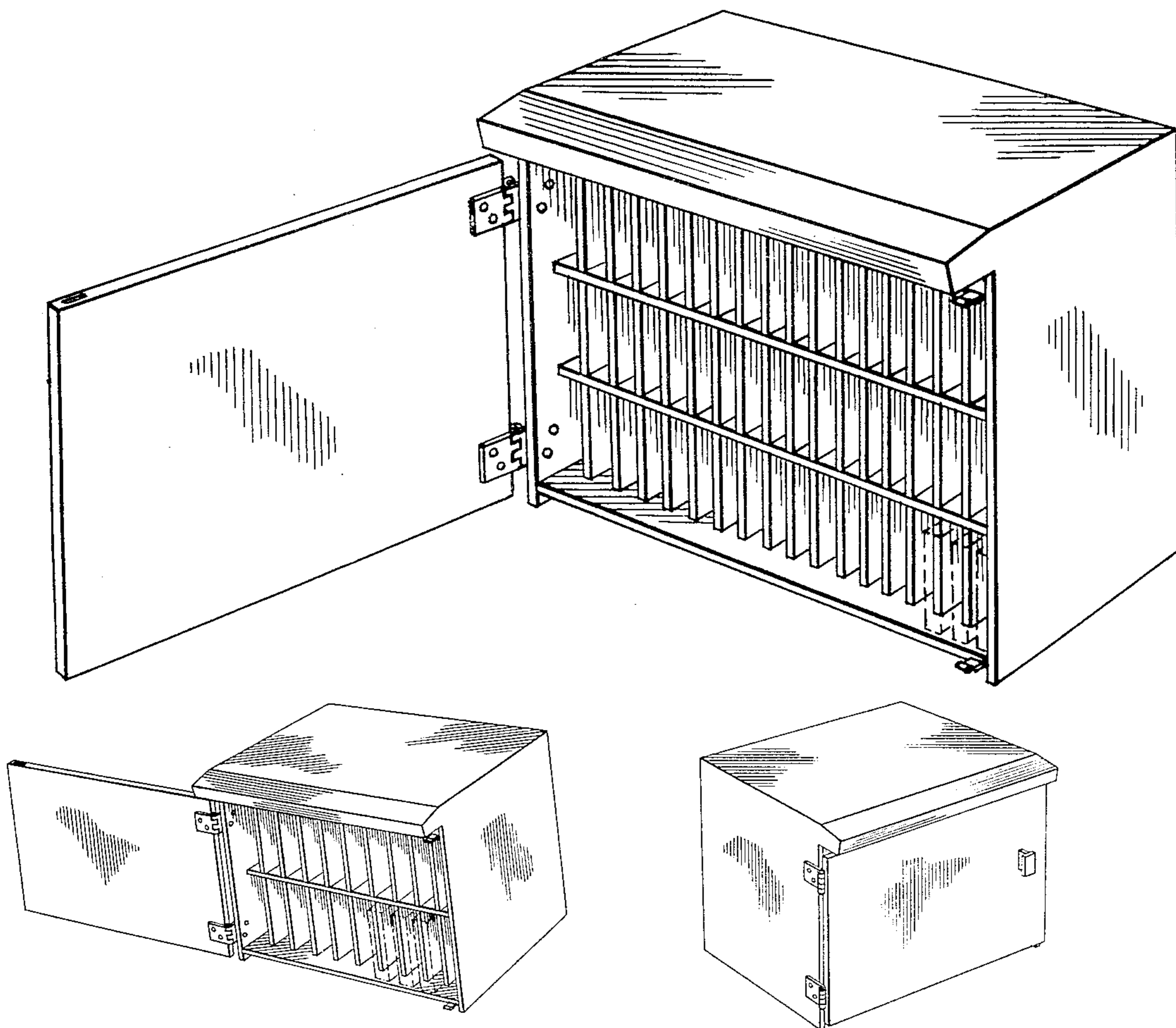
Primary Examiner—Carmen H. Vales
Attorney, Agent, or Firm—Harvey B. Jacobson

[57] CLAIM

The ornamental design for a cabinet for video cassettes or the like, as shown and described.

DESCRIPTION

FIG. 1 is a front perspective view of a cabinet for video cassettes or the like showing my new design;
 FIG. 2 is a front perspective view with the door in open position;
 FIG. 3 is a right side elevational view of FIG. 1, the left side being a mirror image thereof;
 FIG. 4 is a rear perspective view thereof;
 FIG. 5 is a bottom plan view with the door slightly open;
 FIG. 6 is a front elevational view with the door open perpendicular to the cabinet;
 FIG. 7 is a front perspective view of a modified form of the cabinet shown in FIG. 2; and
 FIG. 8 is a rear perspective view with the door closed.
 The showing of cassettes in broken lines in FIGS. 2 and 7 for illustrative purposes only.



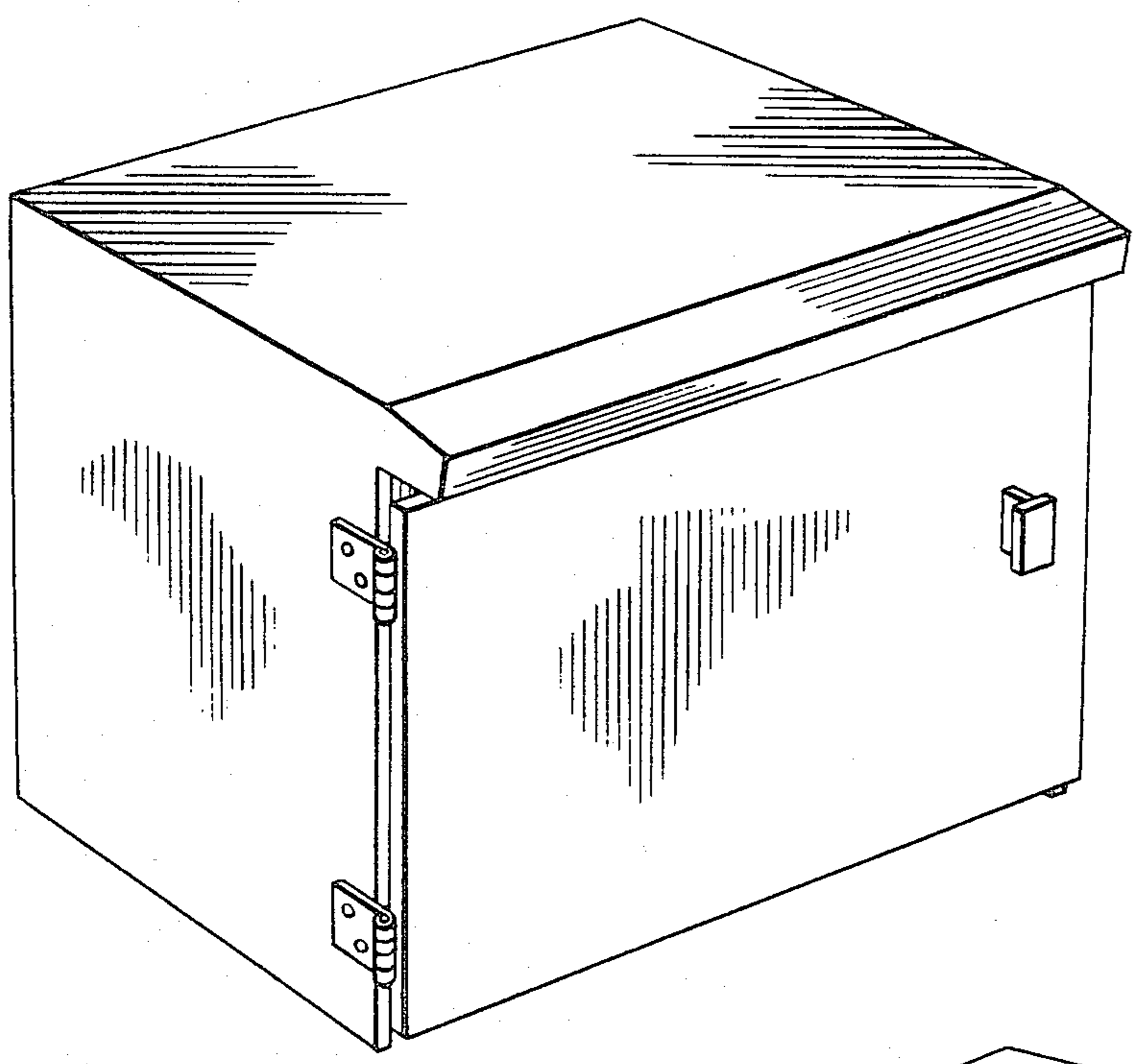


Fig. 1

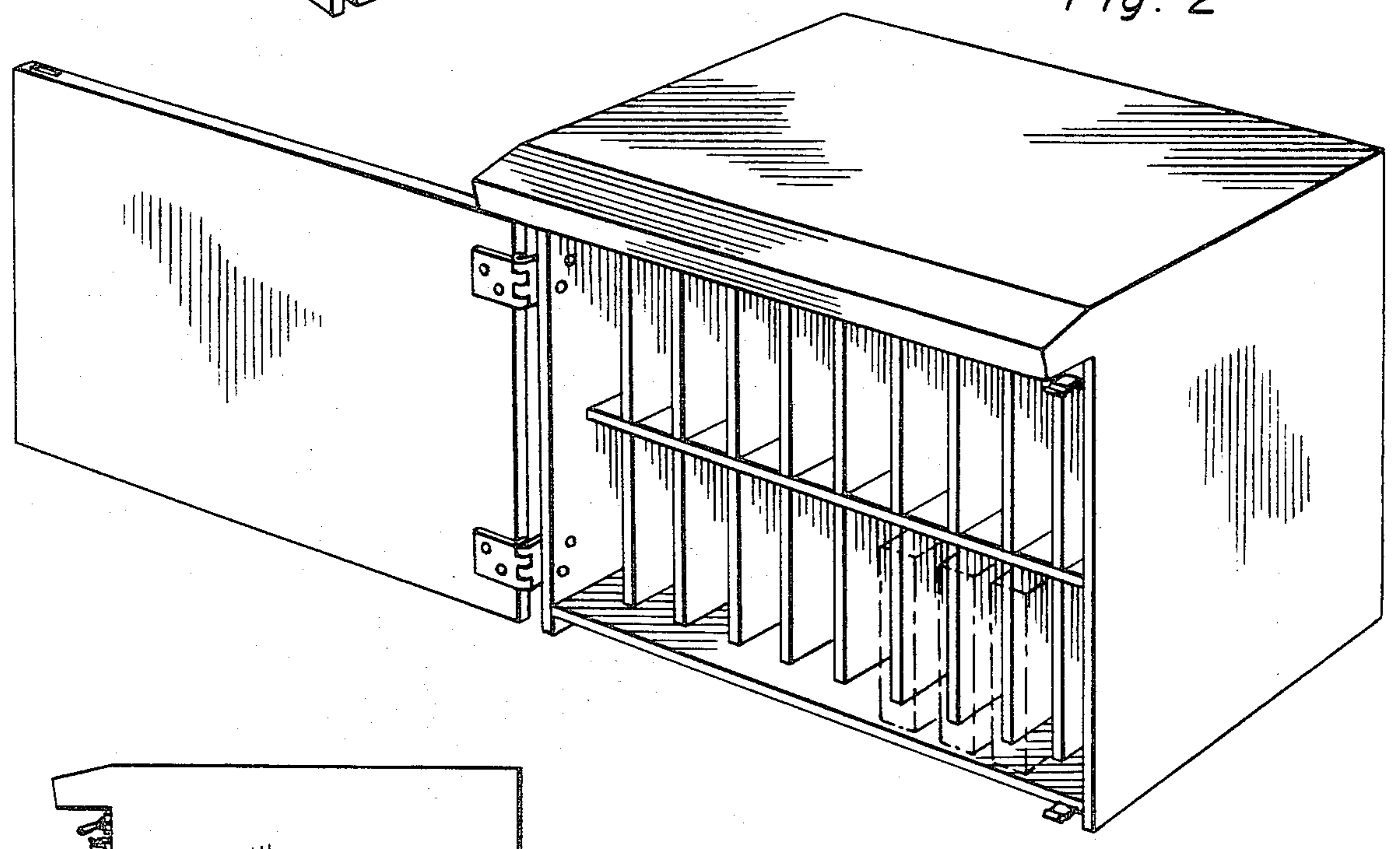


Fig. 2

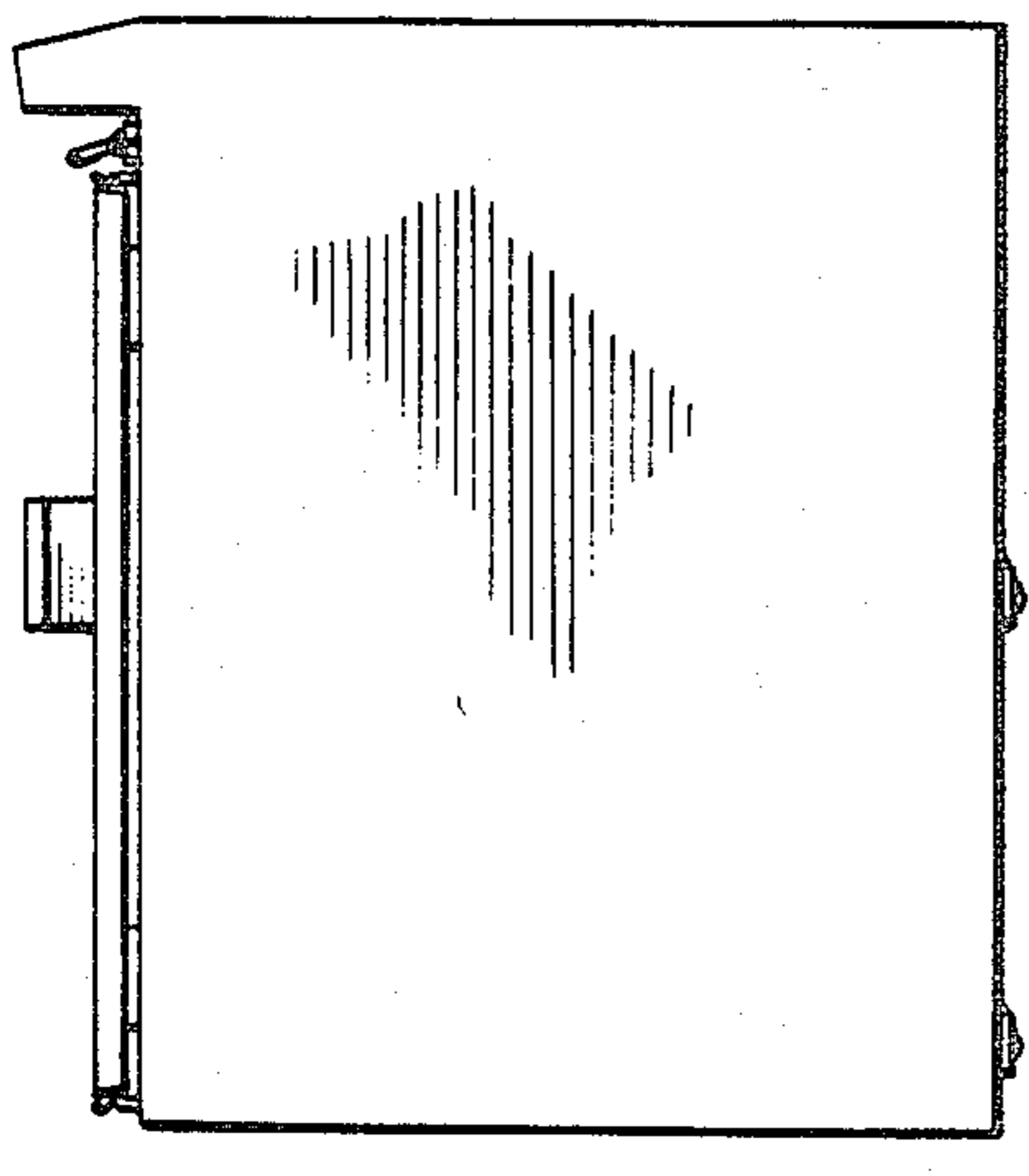


Fig. 3

Fig. 4

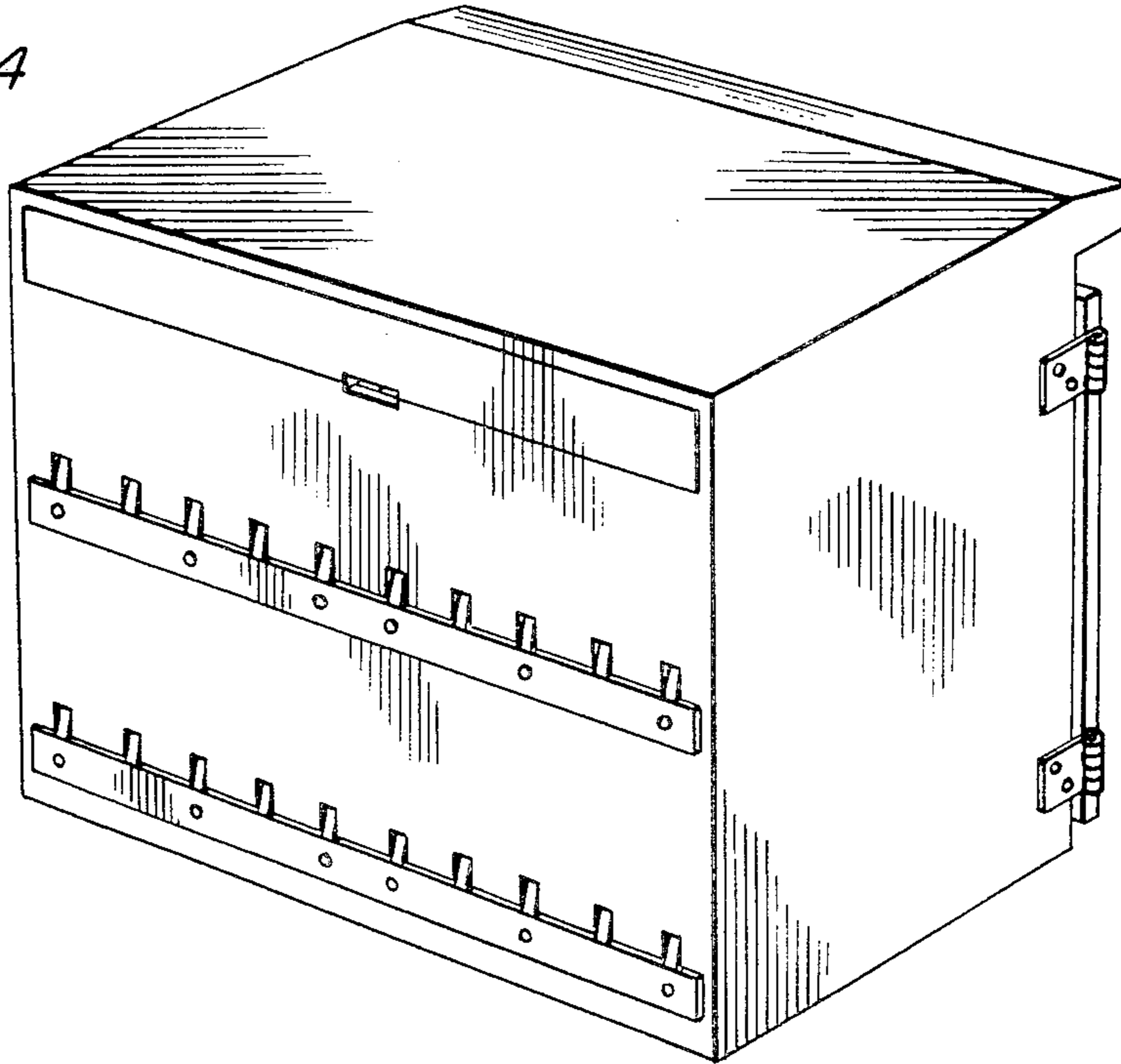


Fig. 5

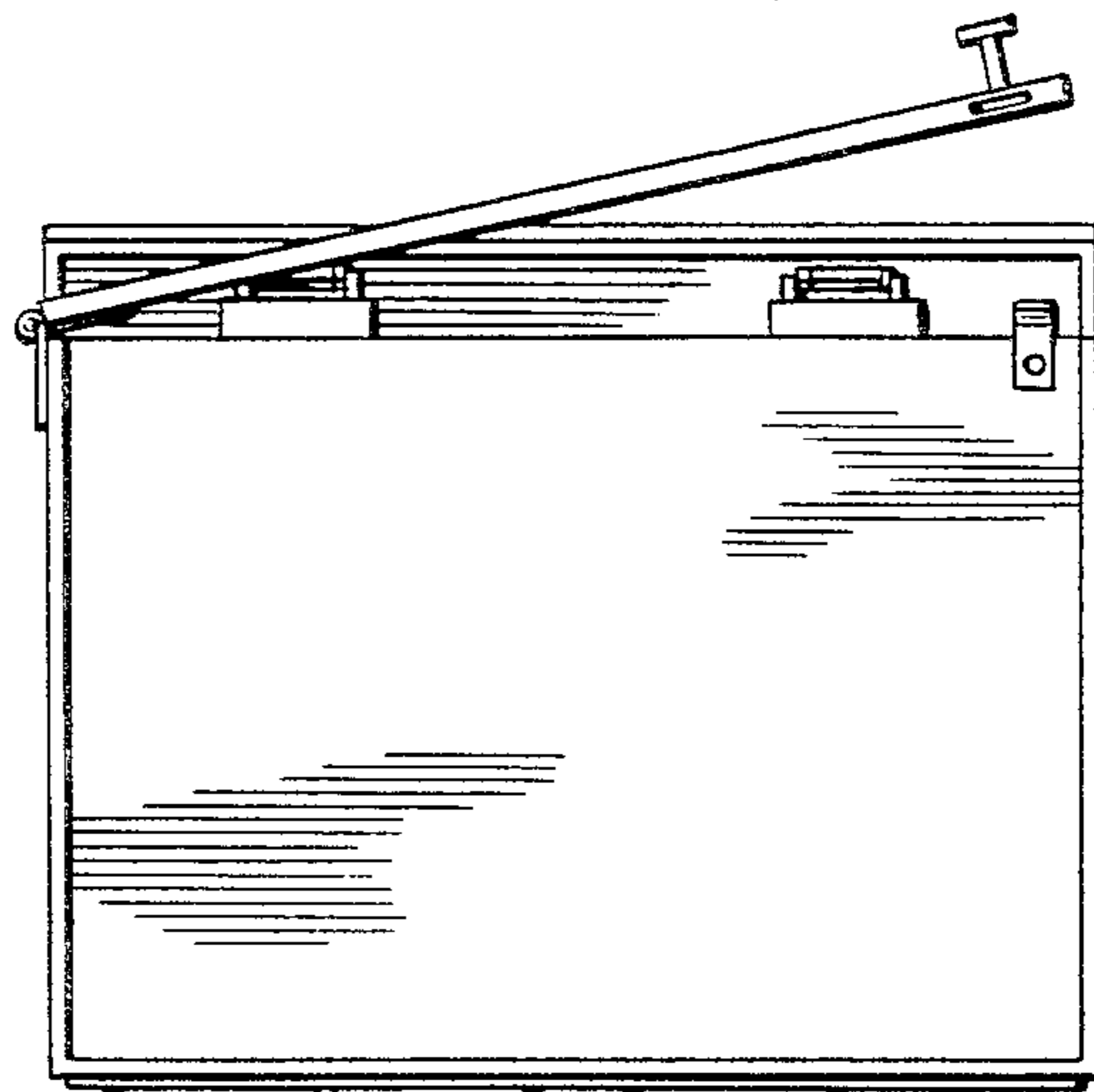


Fig. 6

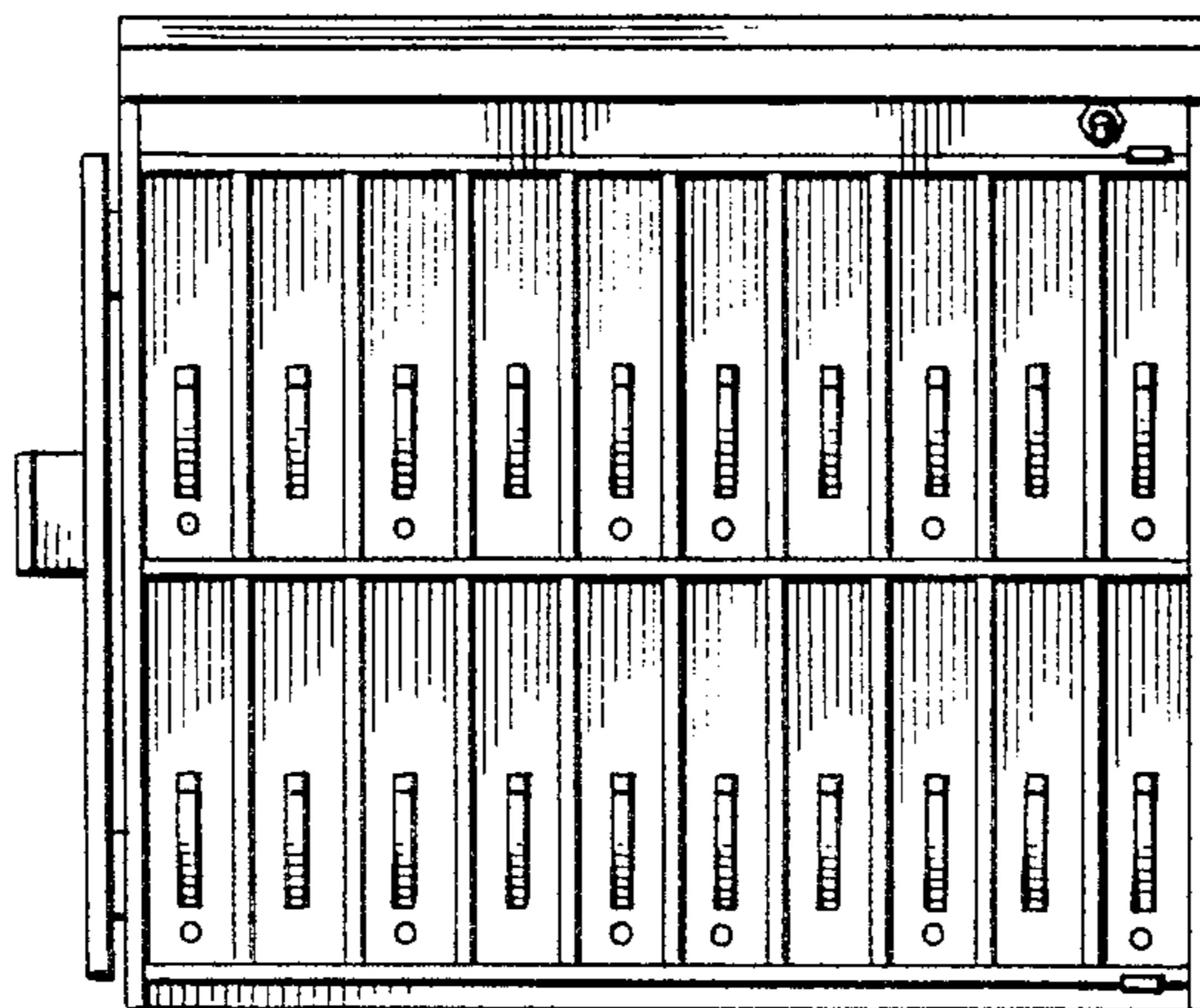


Fig. 7

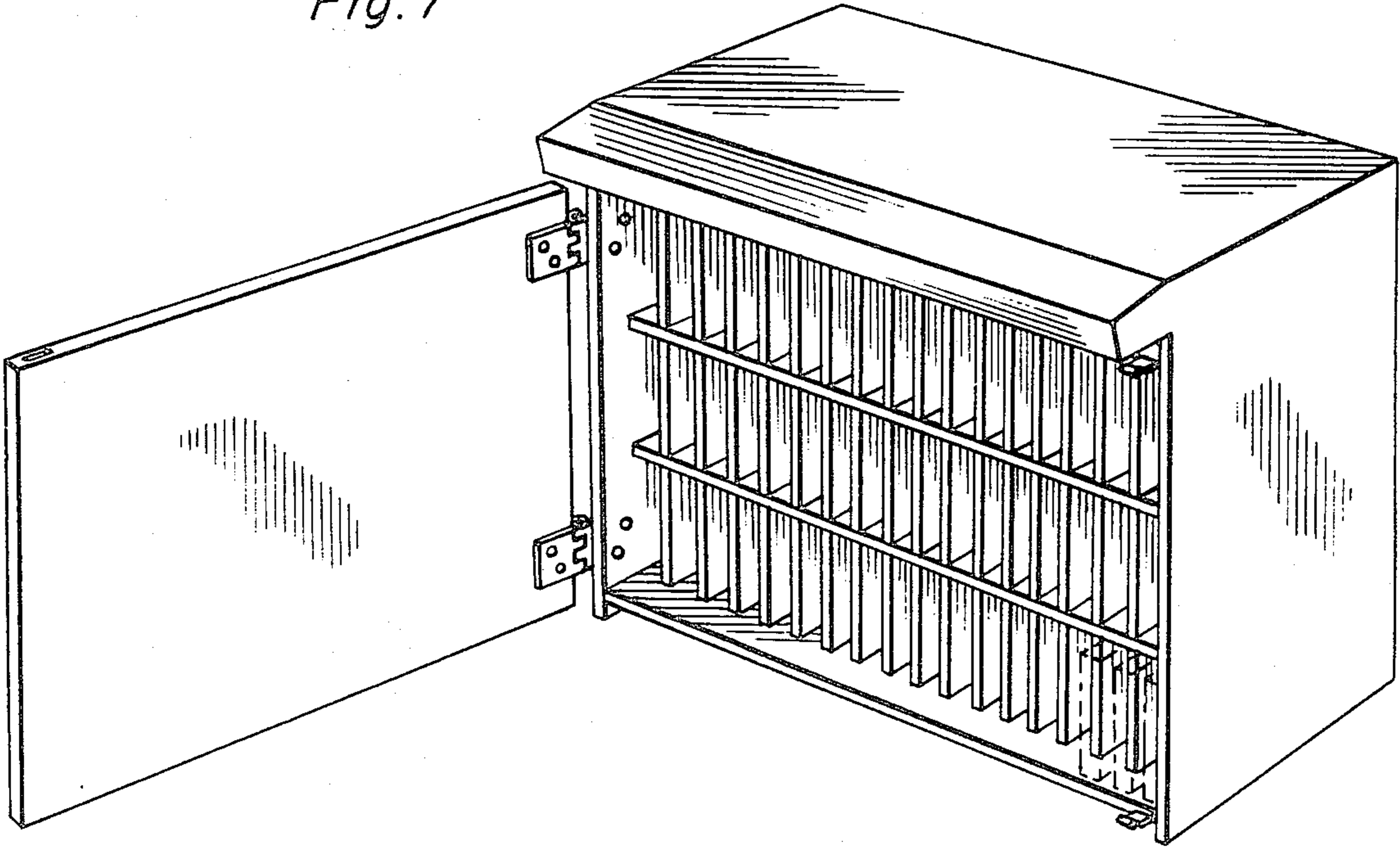


Fig. 8

