

[54] **AUXILIARY SEAT**

[76] **Inventor: Richard E. Timmers, 1210 E. County Rd. B, St. Paul, Minn. 55109**

[\*\*] **Term: 14 Years**

[21] **Appl. No.: 506,531**

[22] **Filed: Jun. 21, 1983**

[52] **U.S. Cl. .... D6/336; D6/334; D6/335; D6/372**

[58] **Field of Search ..... D6/334, 356, 360, 364, D6/365, 367, 368, 335, 336, 338**

[56] **References Cited**

**U.S. PATENT DOCUMENTS**

- D. 180,392 6/1957 Del Giudice ..... D6/356
- D. 257,707 12/1980 Marrujo ..... D6/381 X
- D. 264,774 6/1982 McGirk et al. .... D6/356

*Primary Examiner*—Bruce W. Dunkins

*Attorney, Agent, or Firm*—Merchant, Gould, Smith, Edell, Welter & Schmidt

[57] **CLAIM**

The ornamental design for an auxiliary seat, substantially as shown and described.

**DESCRIPTION**

FIG. 1 is a perspective view generally viewed as from above and to the right front of an auxiliary seat showing my new design.

FIG. 2 is a side view generally viewed as from the right of my design disclosed in FIG. 1.

FIG. 3 is a front elevational view of my design disclosed in FIG. 1.

FIG. 4 is a rear elevational view of my design disclosed in FIG. 1.

FIG. 5 is a top view generally viewed as from the top of my design disclosed in FIG. 1.

FIG. 6 is a bottom view generally viewed as from the bottom of my design disclosed in FIG. 1.

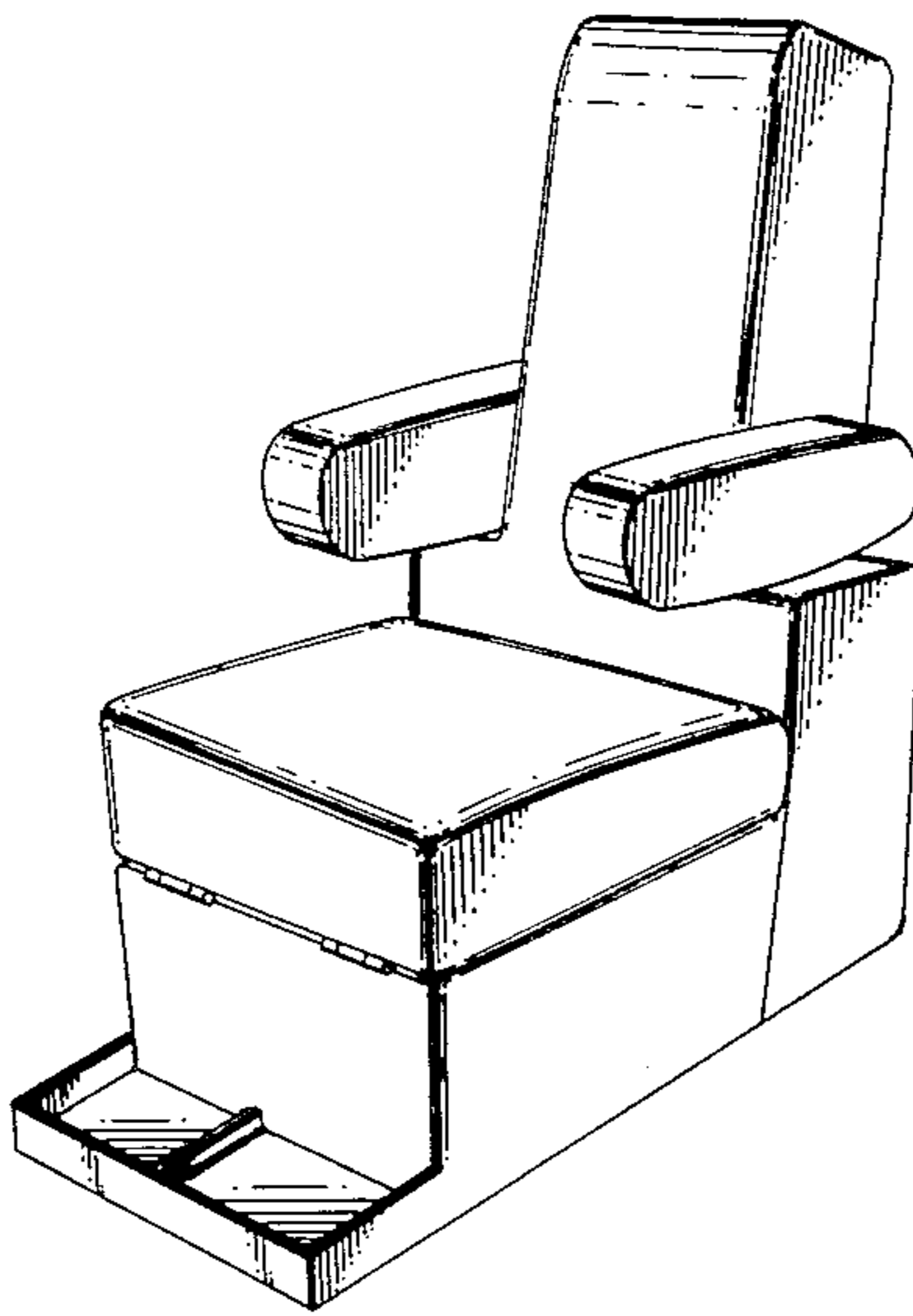


FIG. 1

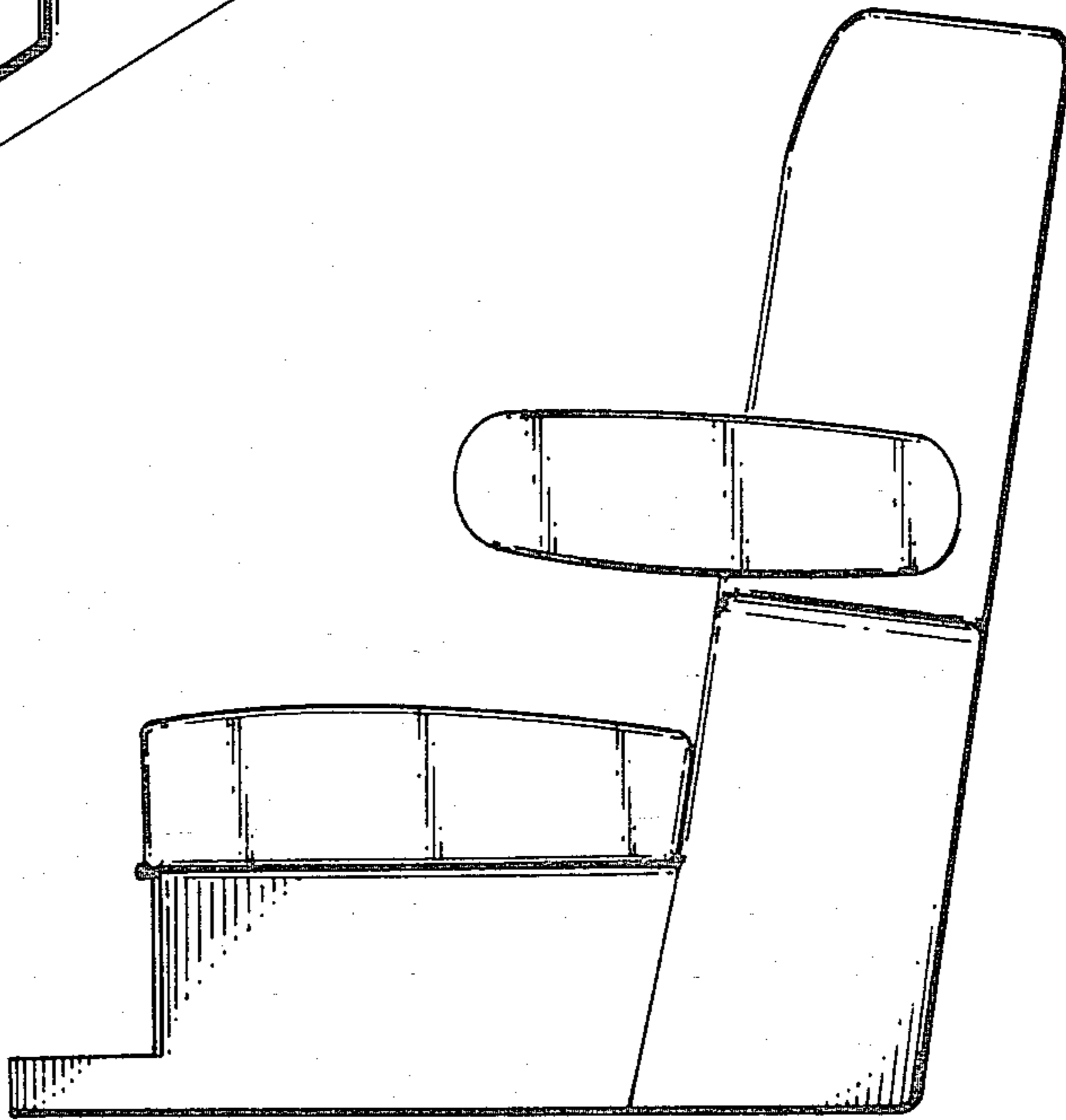
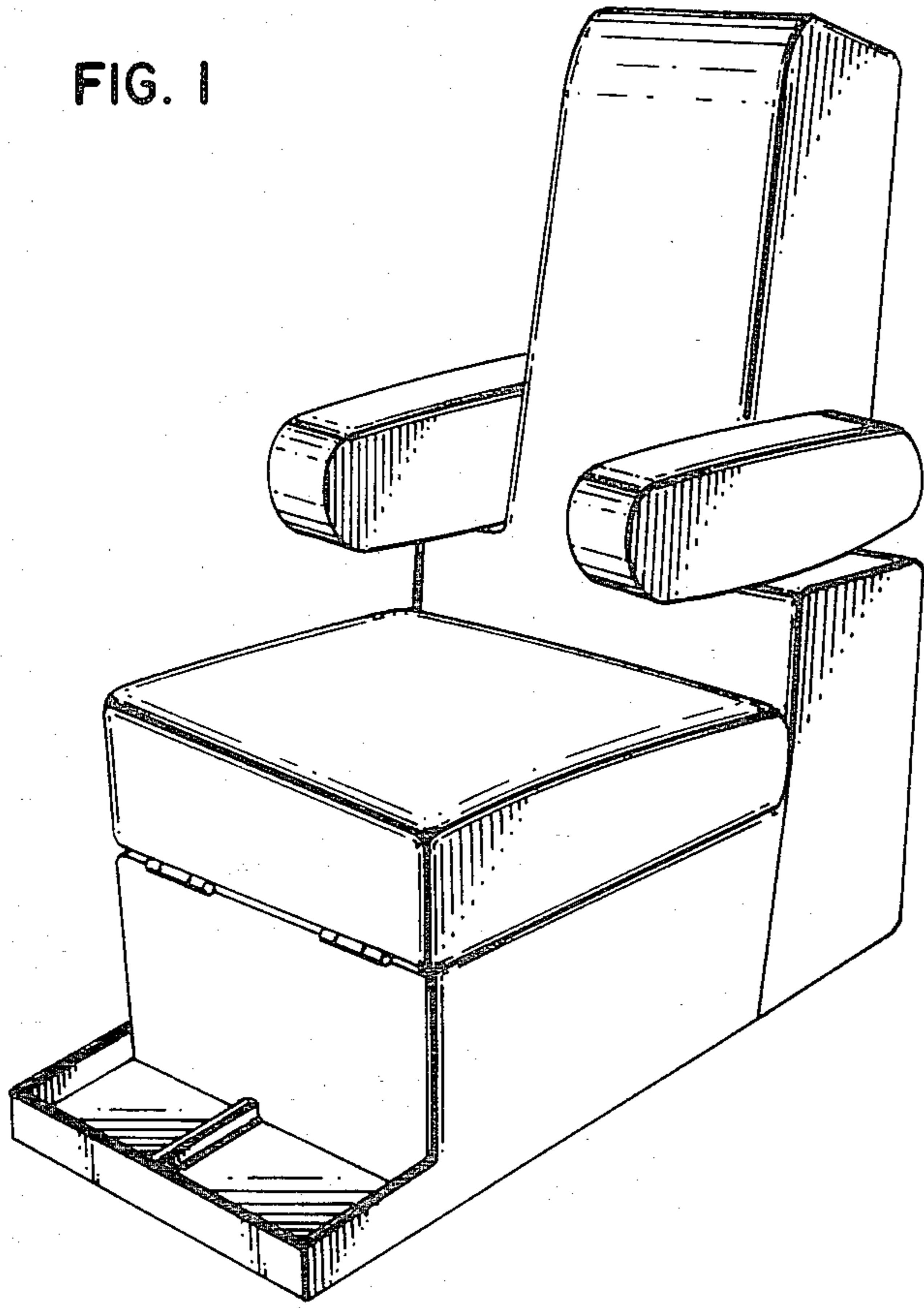


FIG. 2

FIG. 3

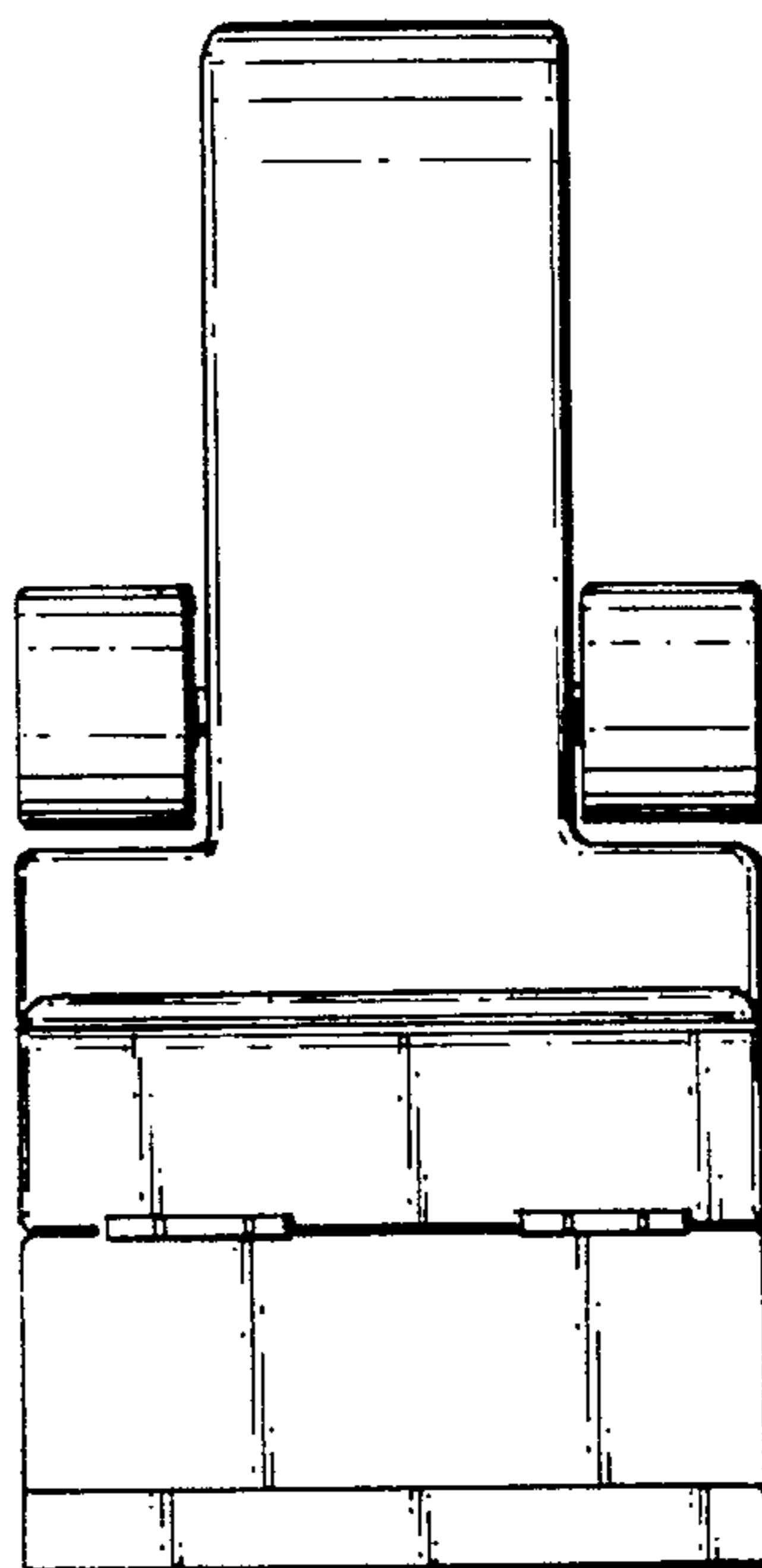


FIG. 4

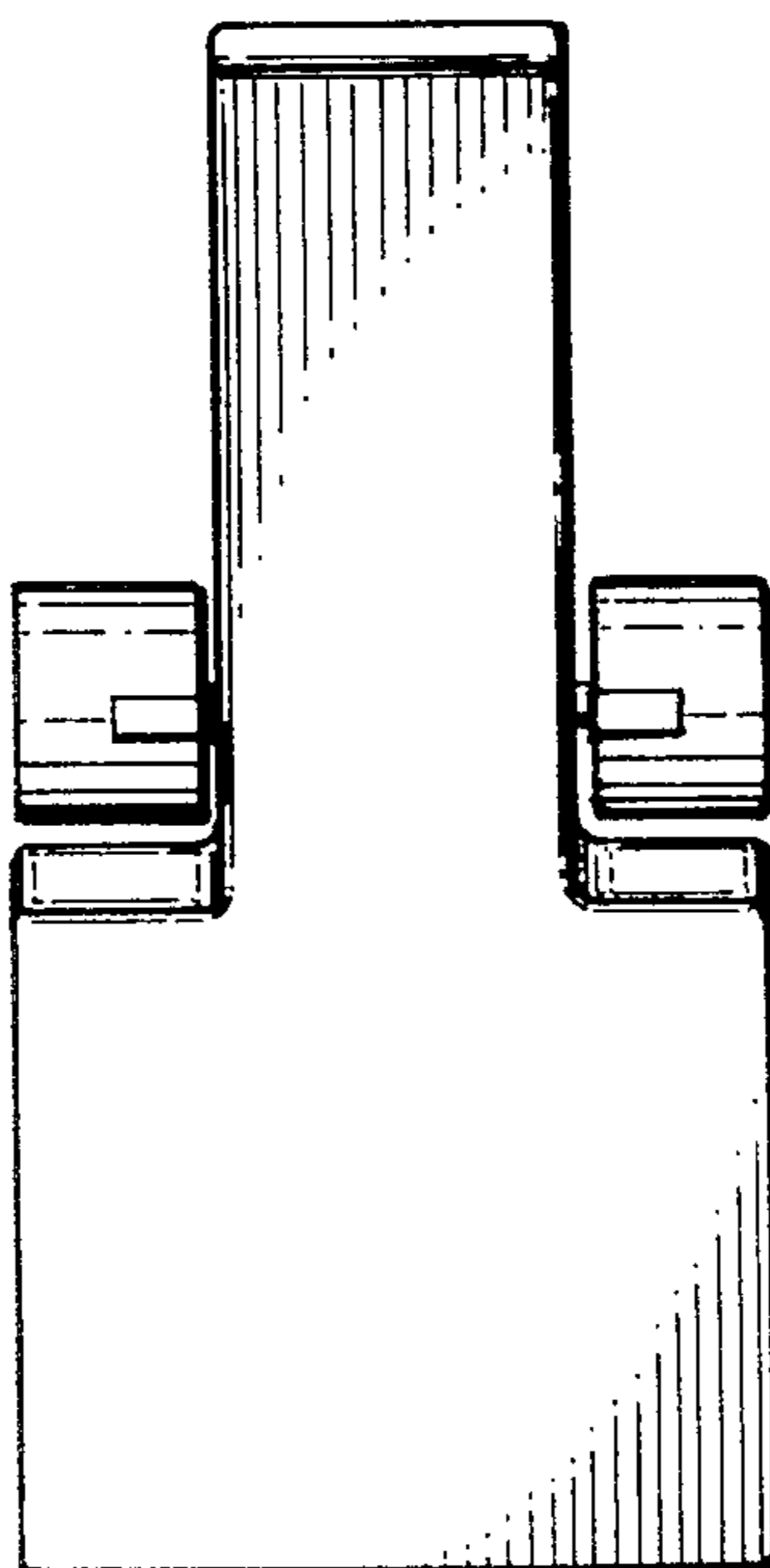


FIG. 5

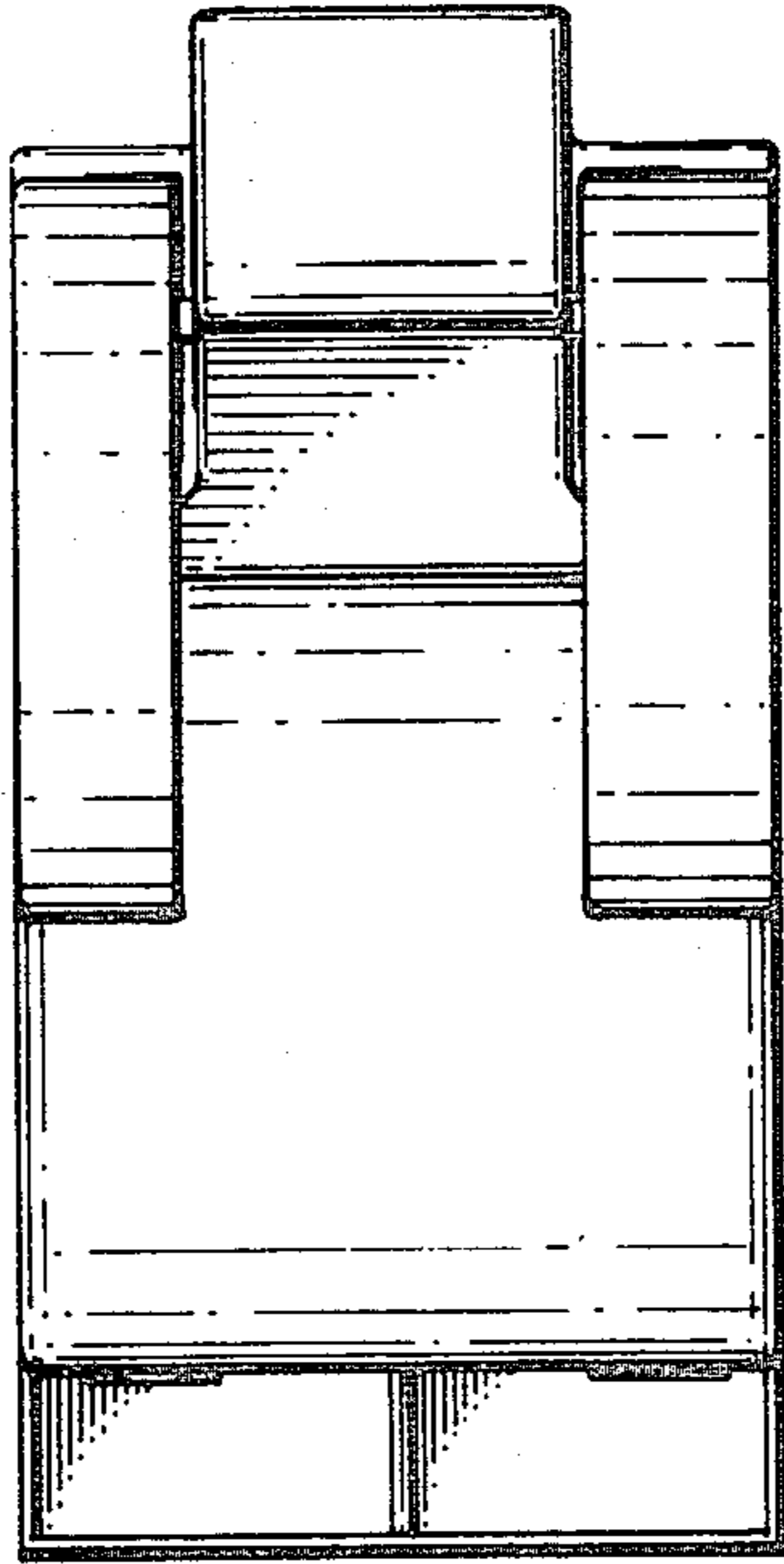


FIG. 6

