

[54] WALL MOUNTED VALET

[76] Inventor: Susan T. Nystrom, 297 South St., Medfield, Mass. 02052

[**] Term: 14 Years

[21] Appl. No.: 474,140

[22] Filed: Mar. 10, 1983

[52] U.S. Cl. D6/324; D6/320

[58] Field of Search D6/315, 320, 324; 211/1.3, 13, 87, 99, 170

[56] References Cited

U.S. PATENT DOCUMENTS

- D. 184,162 12/1958 Blockwell D6/320
- 3,086,657 4/1963 Myers et al. 211/99
- 3,214,032 10/1965 Hightower 211/99

FOREIGN PATENT DOCUMENTS

1454950 8/1966 France 211/13

Primary Examiner—B. J. Bullock
Attorney, Agent, or Firm—Duffield & Lehrer

[57] CLAIM

The ornamental design for a wall mounted valet, substantially as shown and described.

DESCRIPTION

FIG. 1 is a top, front perspective view of a wall mounted valet in its closed position showing my new design;

FIG. 2 is a rear perspective view thereof;

FIG. 3 is a top, front perspective view in its opened position, and

FIG. 4 is a bottom view of FIG. 3.

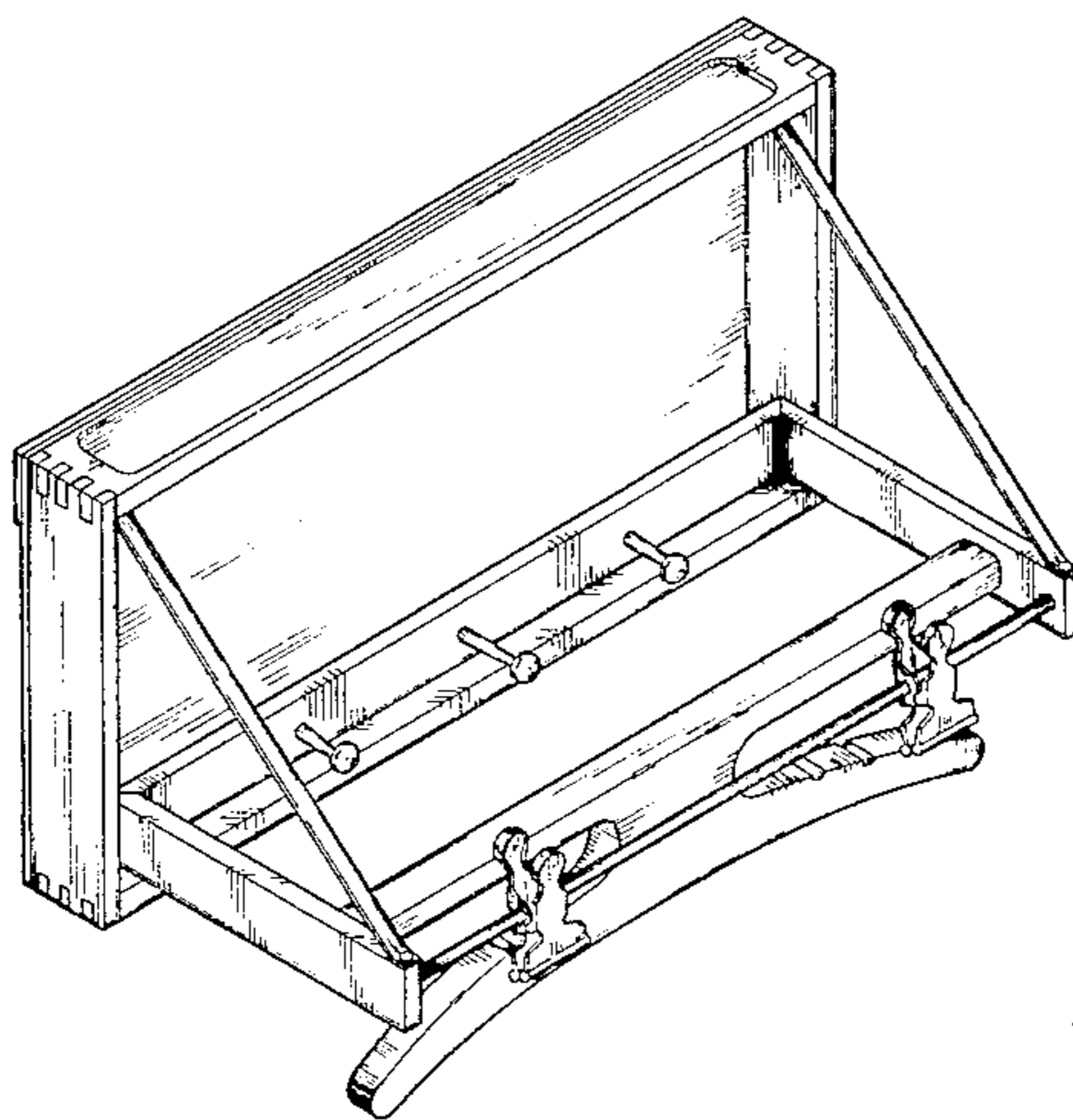


Fig. 1

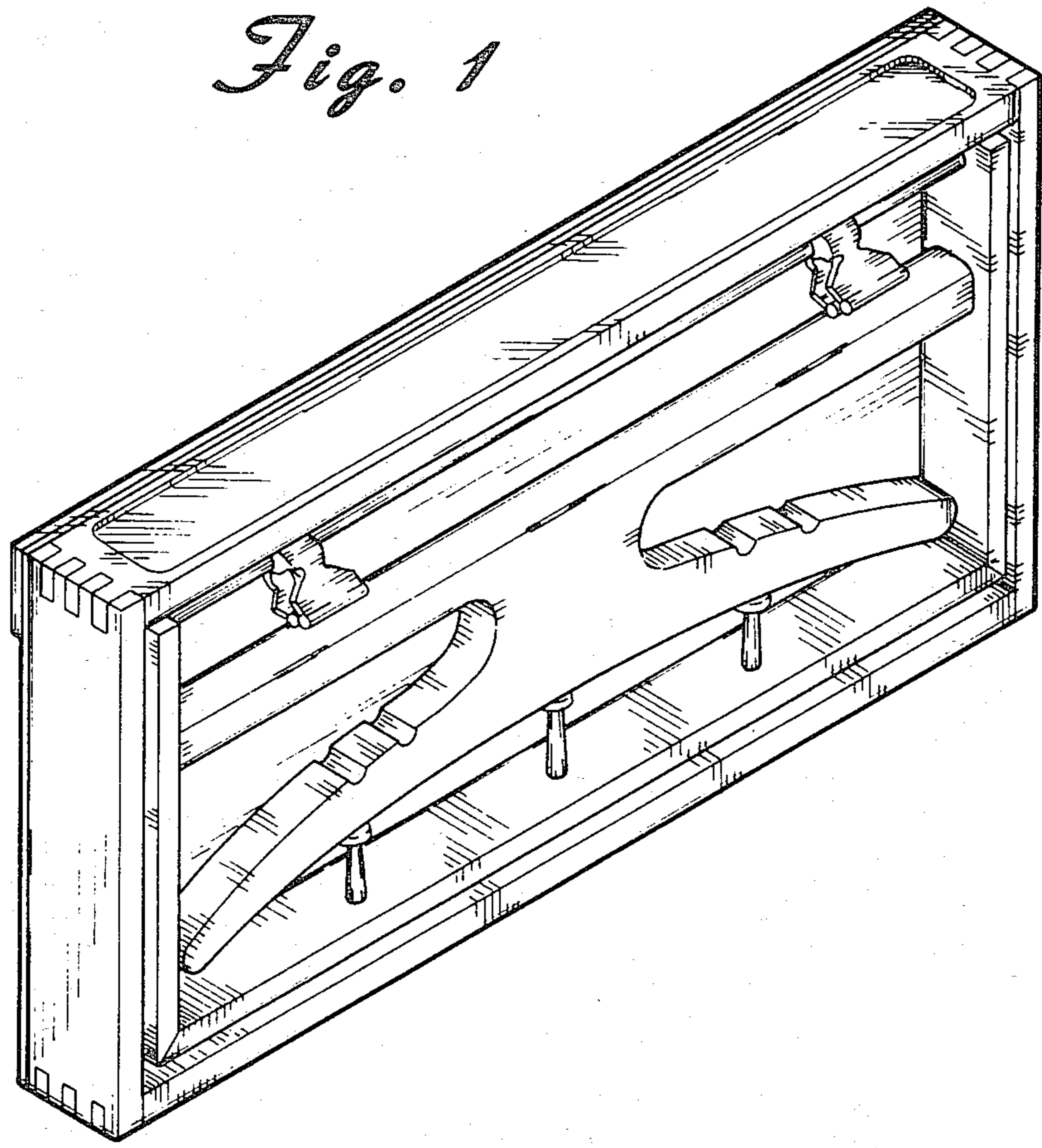


Fig. 2

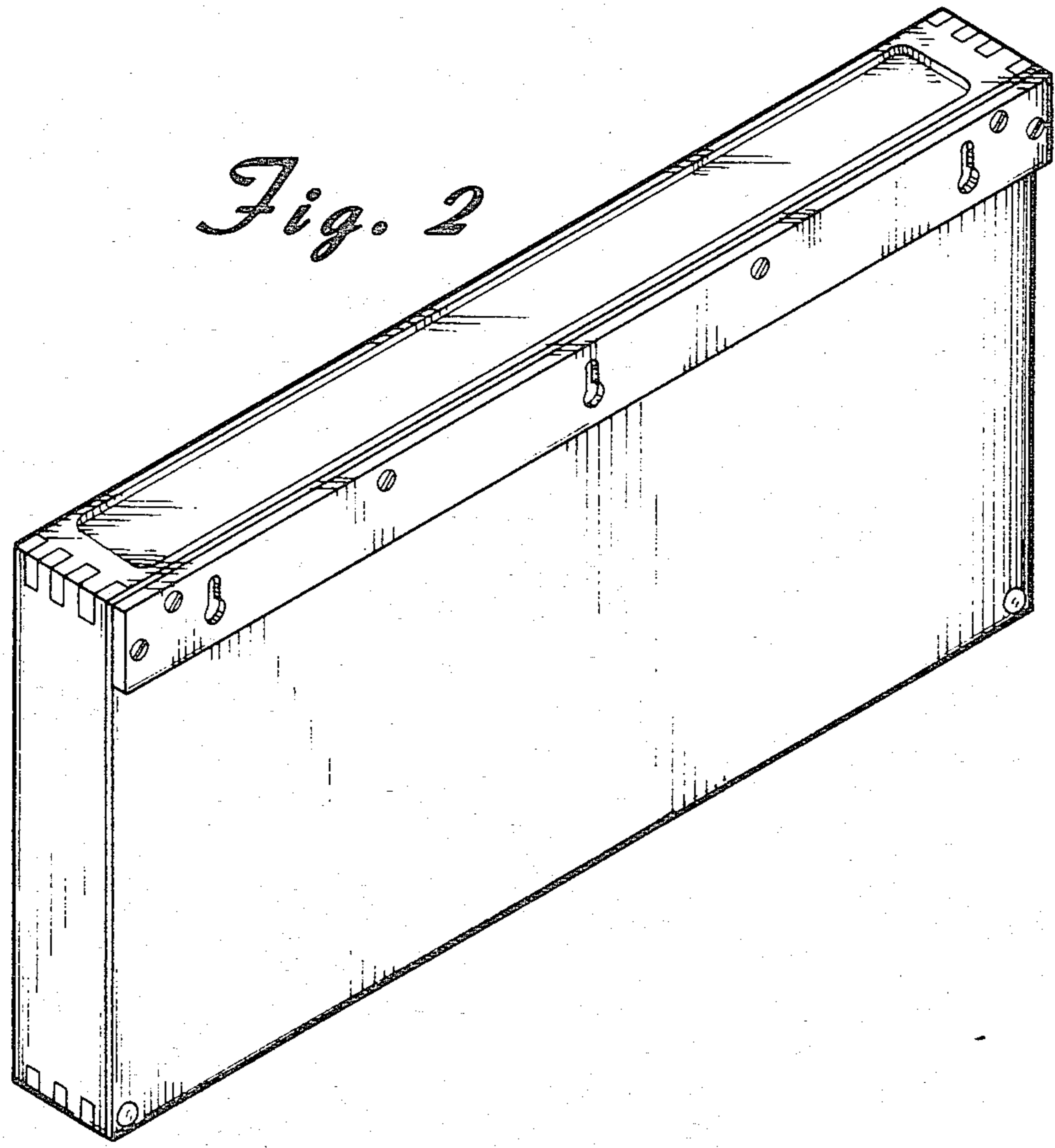


Fig. 3

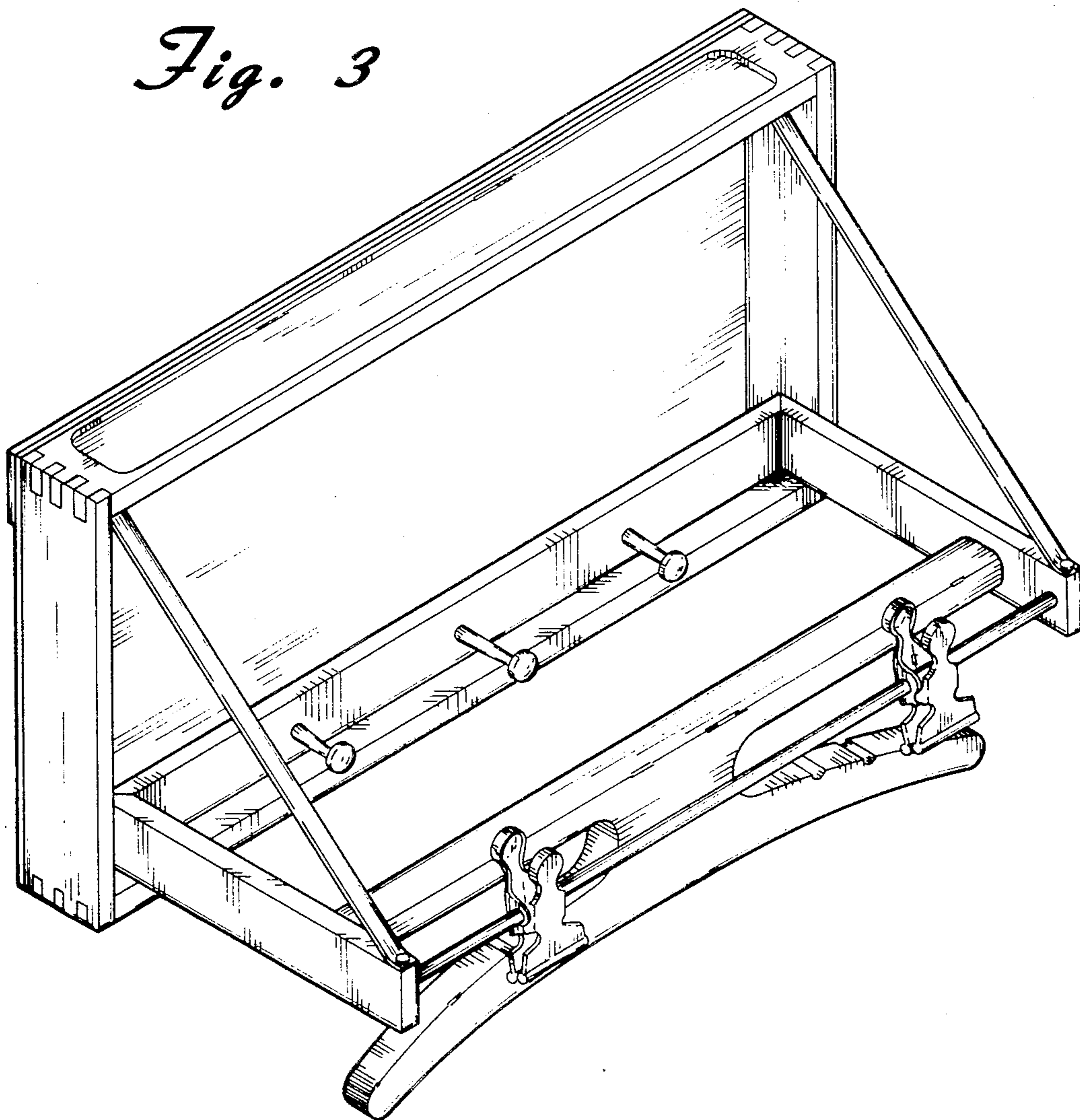


Fig. 4

