

[54] TAMPERPROOF CARRYING CASE FOR A VIDEO CASSETTE RECORDER

[75] Inventor: Ted K. Thrush, Phoenix, Ariz.

[73] Assignee: Portavideo Entertainment Group, Inc., Phoenix, Ariz.

[**] Term: 14 Years

[21] Appl. No.: 530,897

[22] Filed: Sep. 12, 1983

[52] U.S. Cl. D3/33; D3/35; D3/73

[58] Field of Search D3/30.1, 33, 35, 39, D3/72, 73, 76; 190/100; 206/387, 425, 444, 316

[56] References Cited

U.S. PATENT DOCUMENTS

- D. 221,317 7/1971 Muller D3/73
- D. 221,821 9/1971 Genaro et al. D3/73

- D. 232,977 9/1974 Ainslie D3/33
- D. 256,737 9/1980 Woodhall D3/73
- D. 270,209 8/1983 Garth D3/73
- D. 275,822 10/1984 Gatland D3/73

Primary Examiner—George P. Word
Attorney, Agent, or Firm—Weiss & Holloway

[57] CLAIM

The ornamental design for a tamperproof carrying case for a video cassette recorder, as shown and described.

DESCRIPTION

FIG. 1 is a perspective view of a tamperproof carrying case for a video cassette recorder showing my new design;

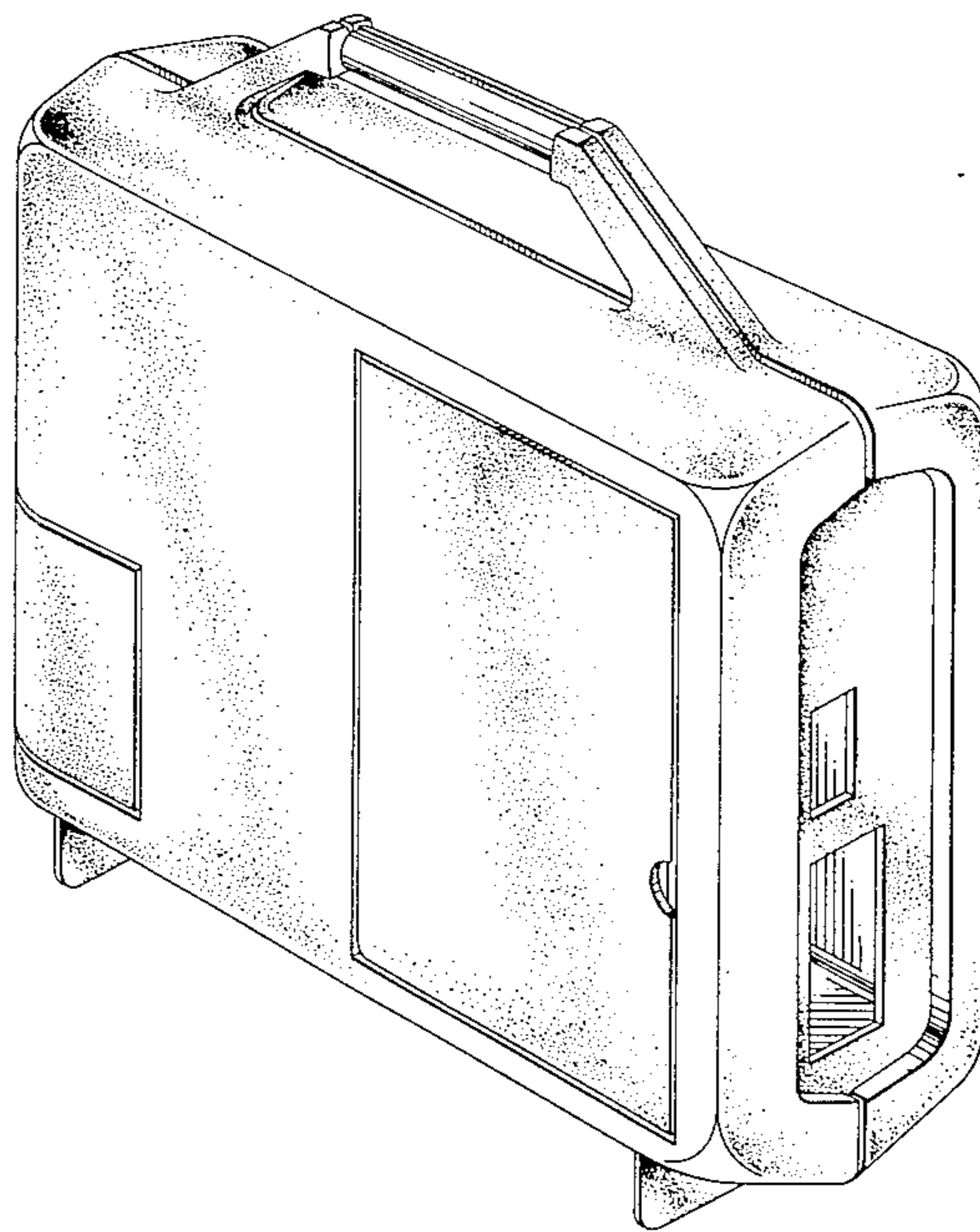
FIG. 2 is a reduced scale bottom plan view thereof;

FIG. 3 is a rear elevational view thereof;

FIG. 4 is a left end elevational view thereof;

FIG. 5 is a front elevational view thereof; and

FIG. 6 is a right end elevational view thereof.



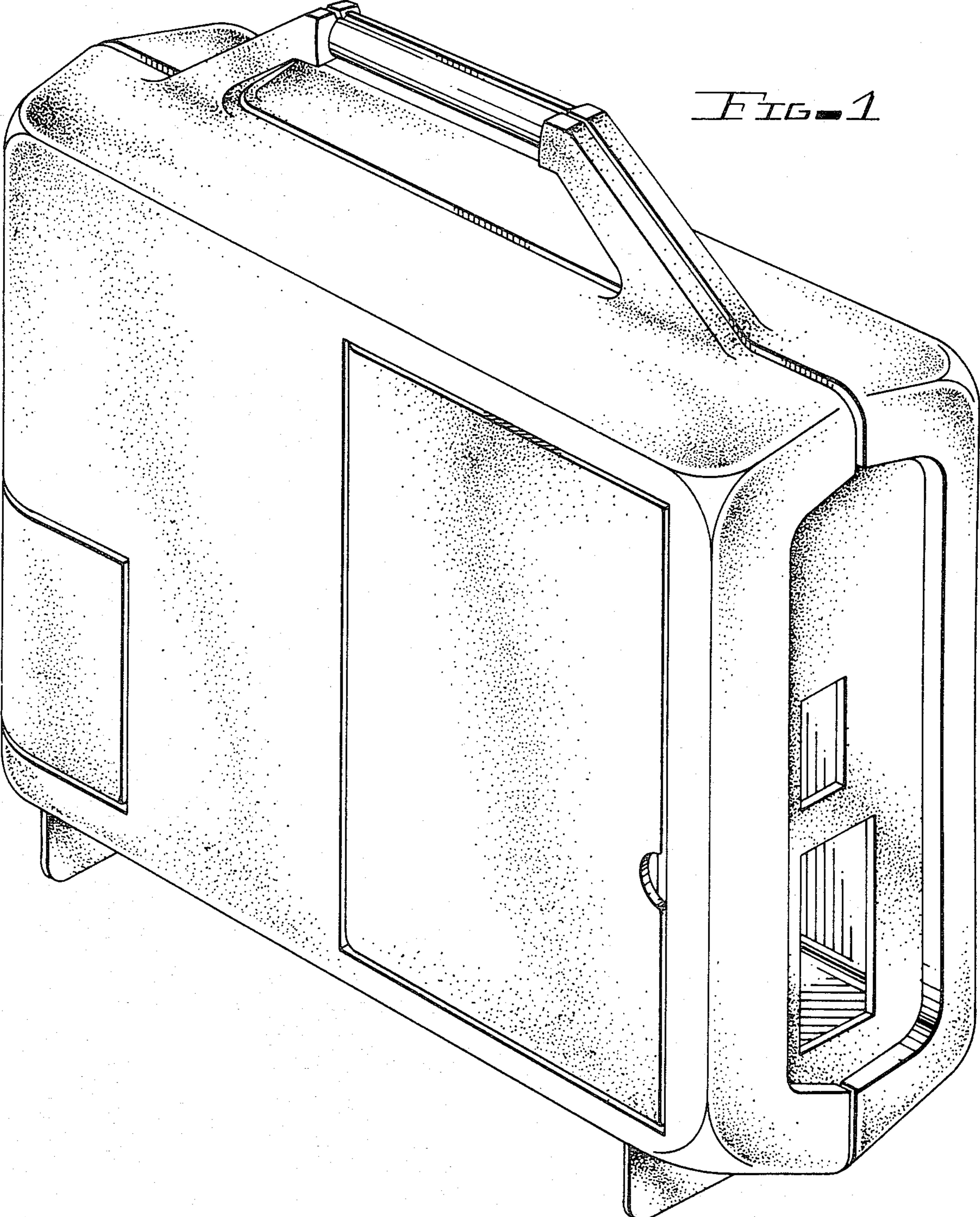


FIG. 1

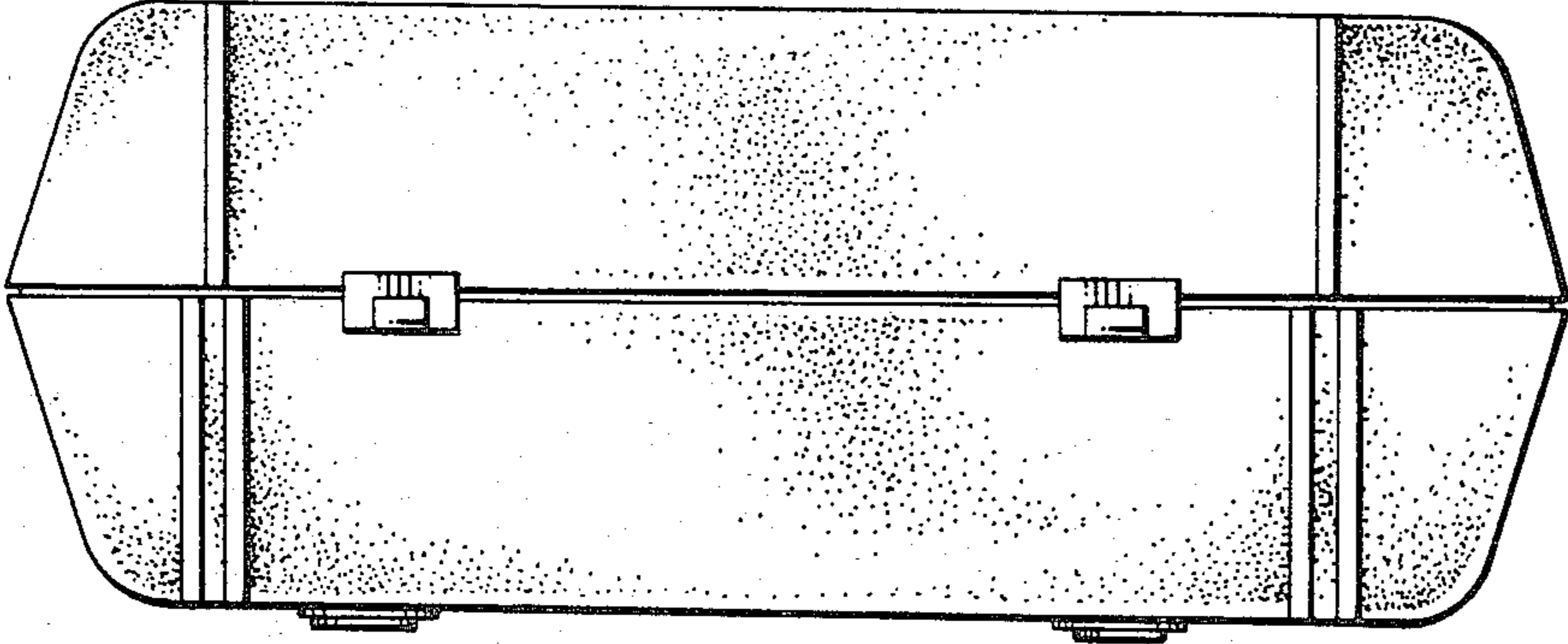


FIG. 2

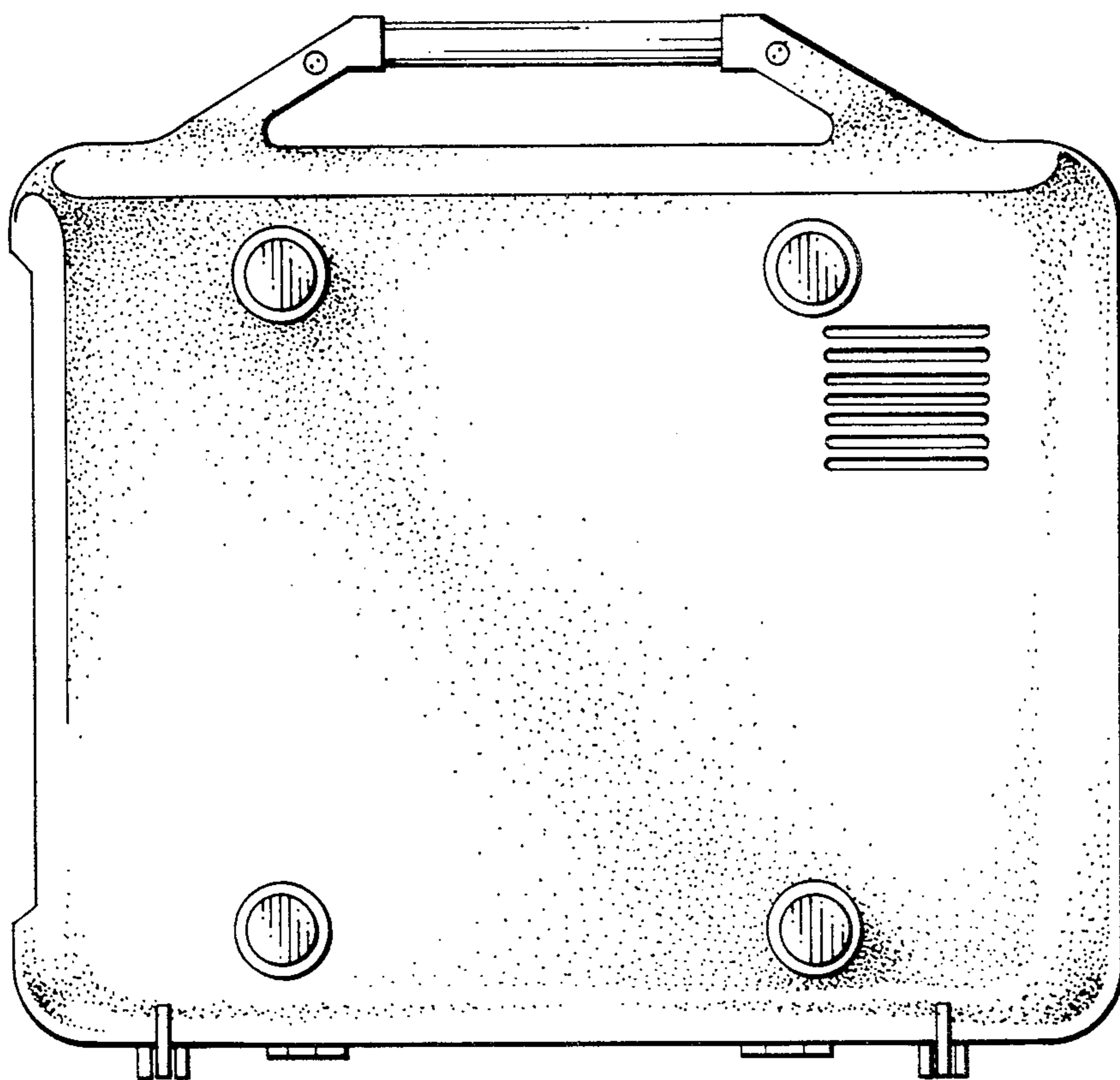


FIG. 3

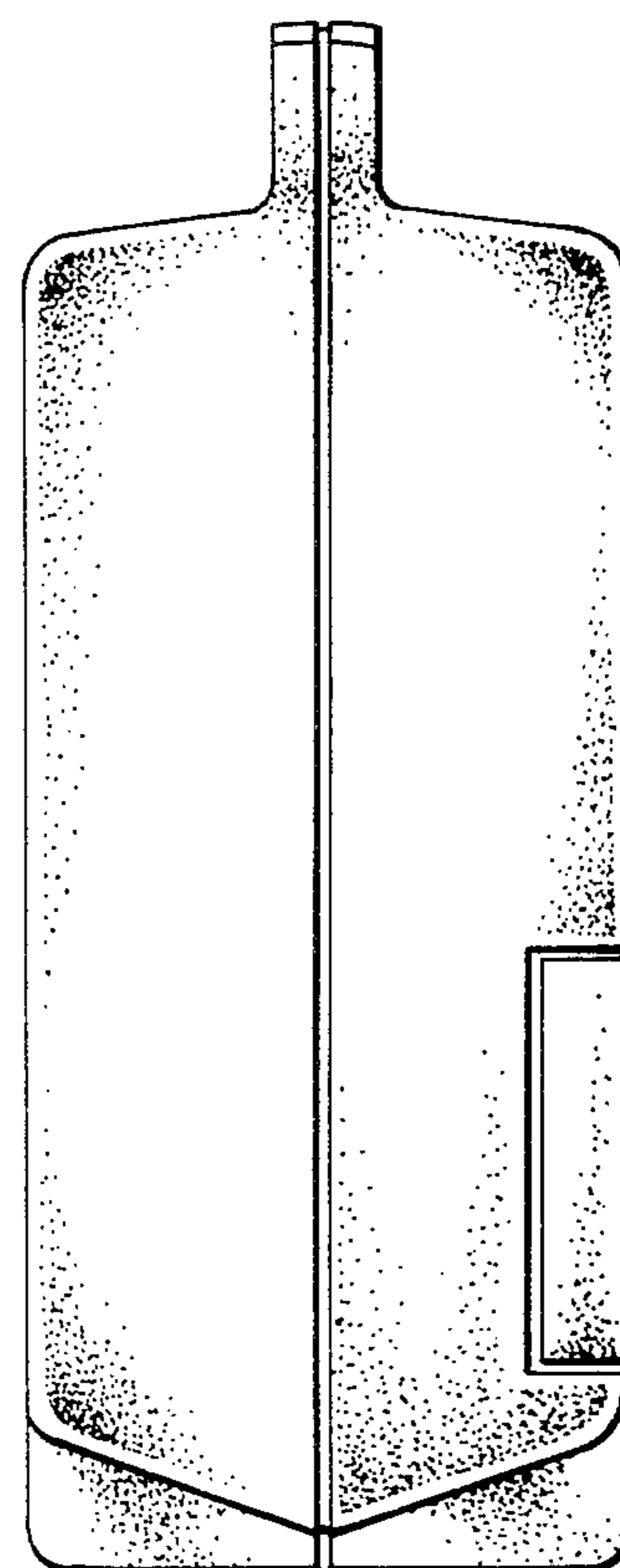


FIG. 4

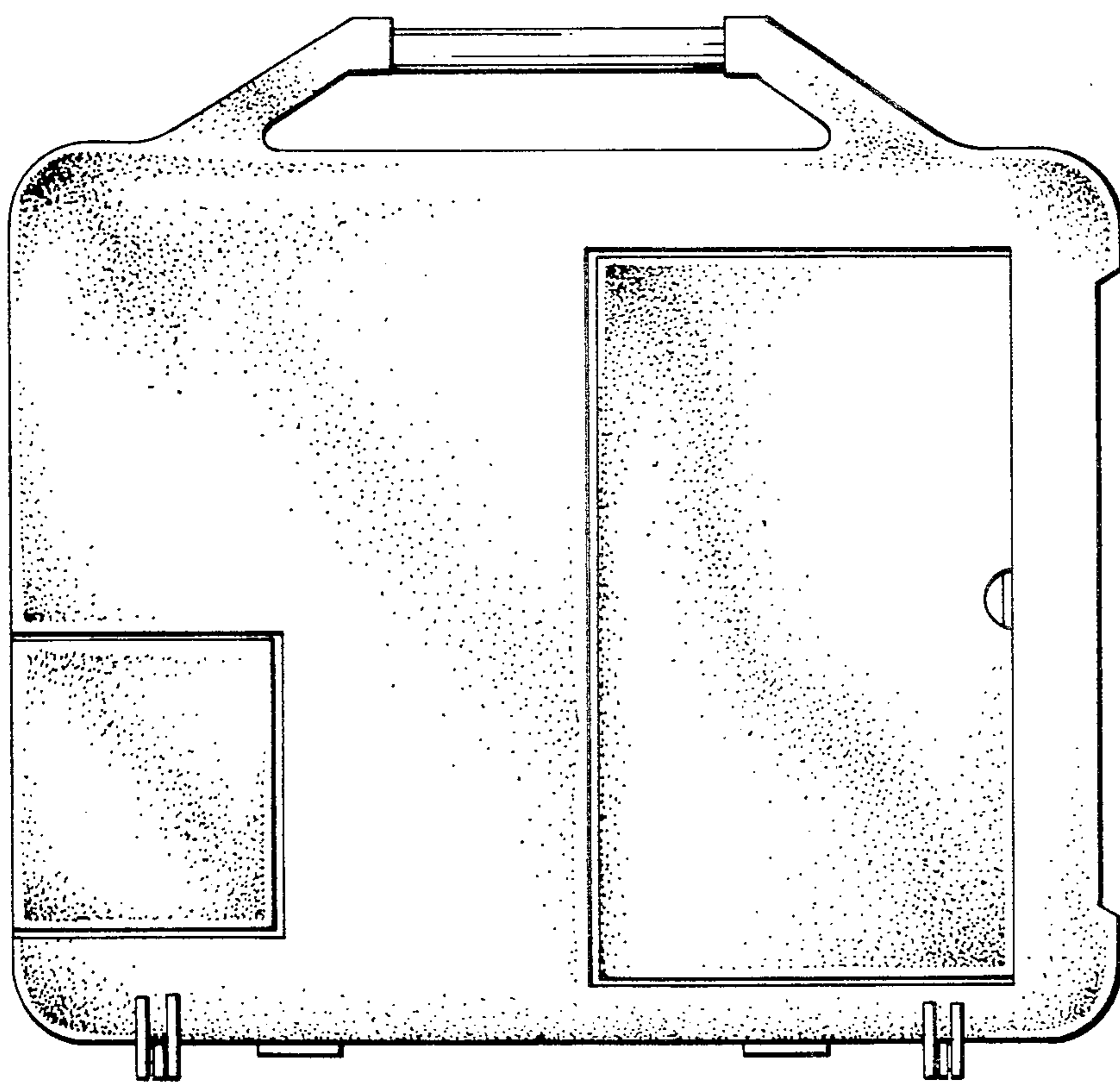


FIG. 5

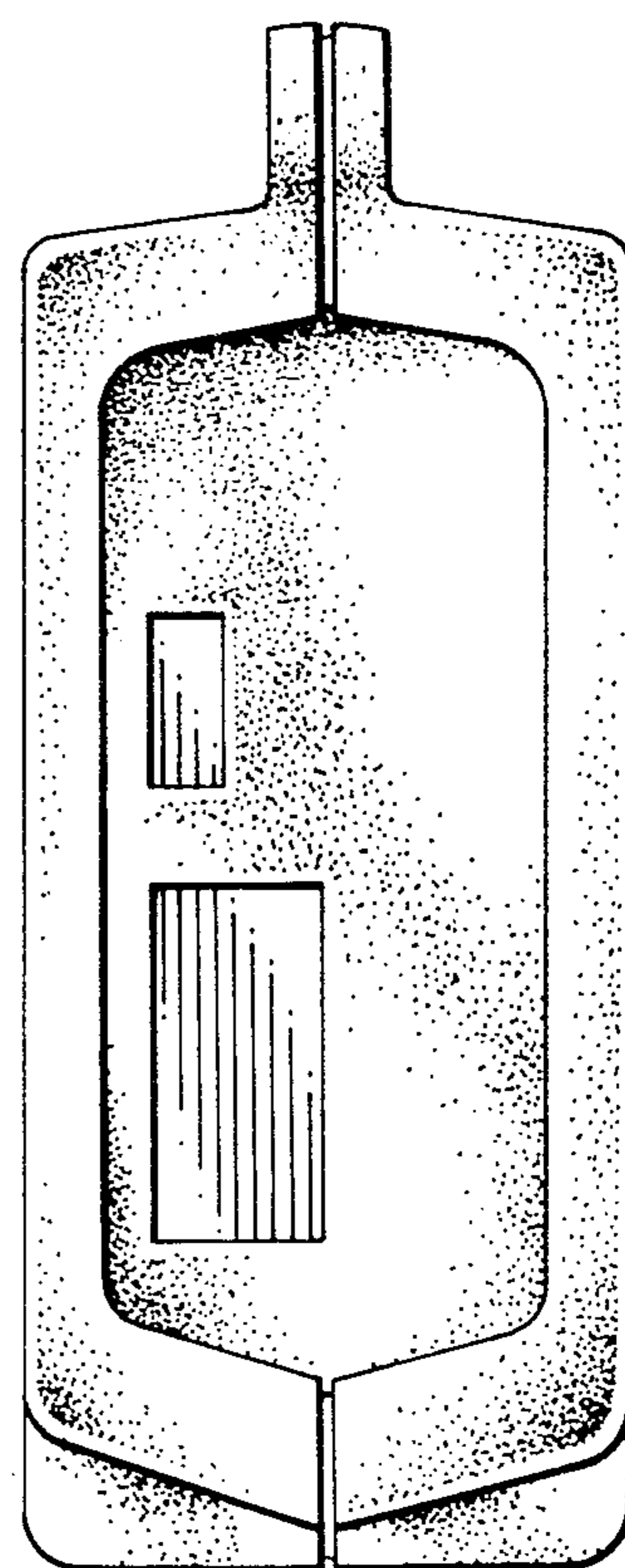


FIG. 6