

[54] SAFETY STAND FOR USE IN ASSOCIATION WITH HYDRAULIC LIFT

[76] Inventor: William F. Prawl, 5636 Tahama St., Sacramento, Calif. 95841

[\*\*] Term: 14 Years

[21] Appl. No.: 495,864

[22] Filed: May 18, 1983

[52] U.S. Cl. .... D34/28; D34/31

[58] Field of Search ..... D34/31; 248/351, 352, 248/354.5; 52/126.6

[56] References Cited

U.S. PATENT DOCUMENTS

3,355,136 11/1967 Staples ..... 248/352

FOREIGN PATENT DOCUMENTS

509653 3/1952 Belgium ..... 248/354.5

197750 9/1964 Sweden ..... 248/354.5

191919 7/1937 Switzerland ..... 248/354.5

839600 6/1960 United Kingdom ..... 248/357

Primary Examiner—James M. Gandy

Assistant Examiner—Kay H. Chin  
Attorney, Agent, or Firm—Lothrop & West

[57] CLAIM

The ornamental design for a safety stand for use in association with hydraulic lift, as shown and described.

DESCRIPTION

FIG. 1 is a right front perspective of a safety stand for use in association with hydraulic lift;

FIG. 2 is a front elevational view;

FIG. 3 is a left side elevational view;

FIG. 4 is a right side elevational view;

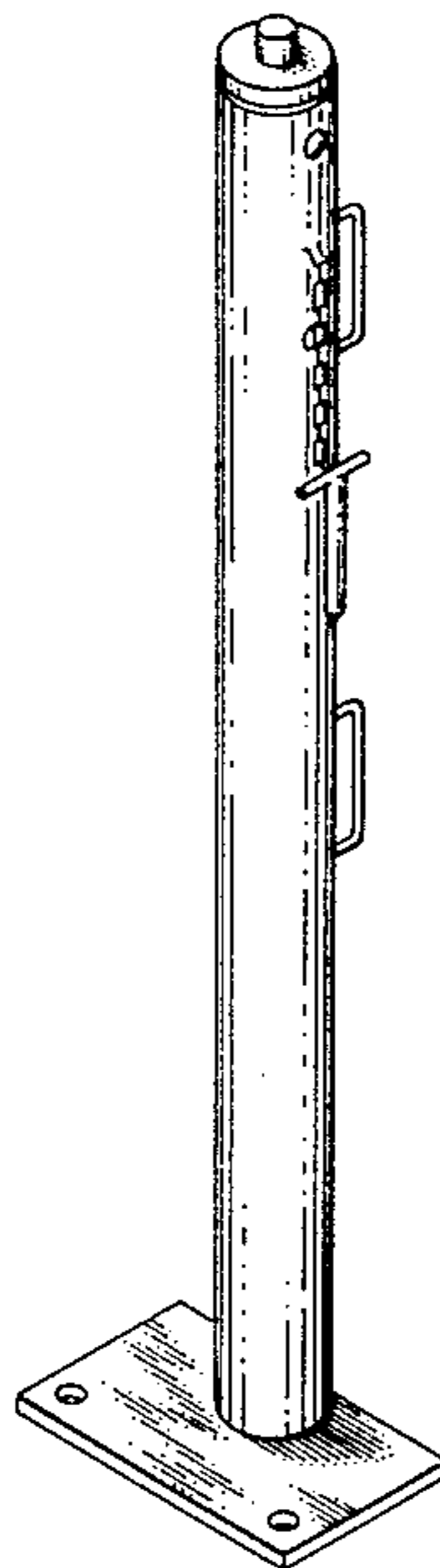
FIG. 5 is a rear elevational view;

FIG. 6 is a bottom plan view;

FIG. 7 is a top plan view;

FIG. 8 is a front elevational view as in FIG. 2, with the inner support tube in an alternate, vertically extended position; and,

FIG. 9 is a right front perspective view of a second embodiment of the safety stand for use in association with hydraulic lift, it being understood that the sole difference resides in the configuration of the base of the stand.



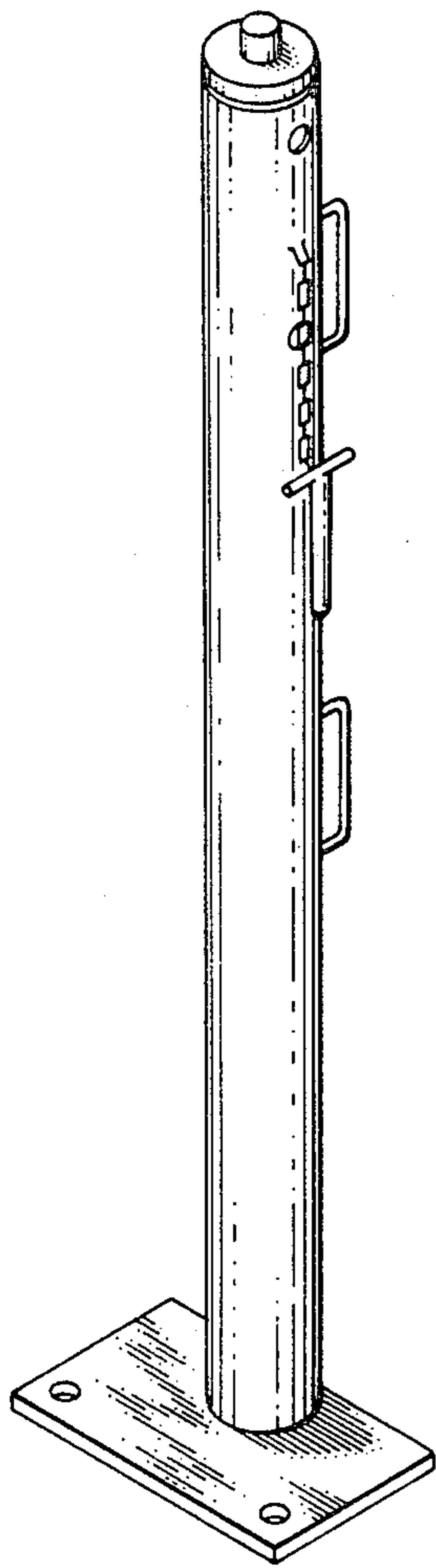


FIG. 1.

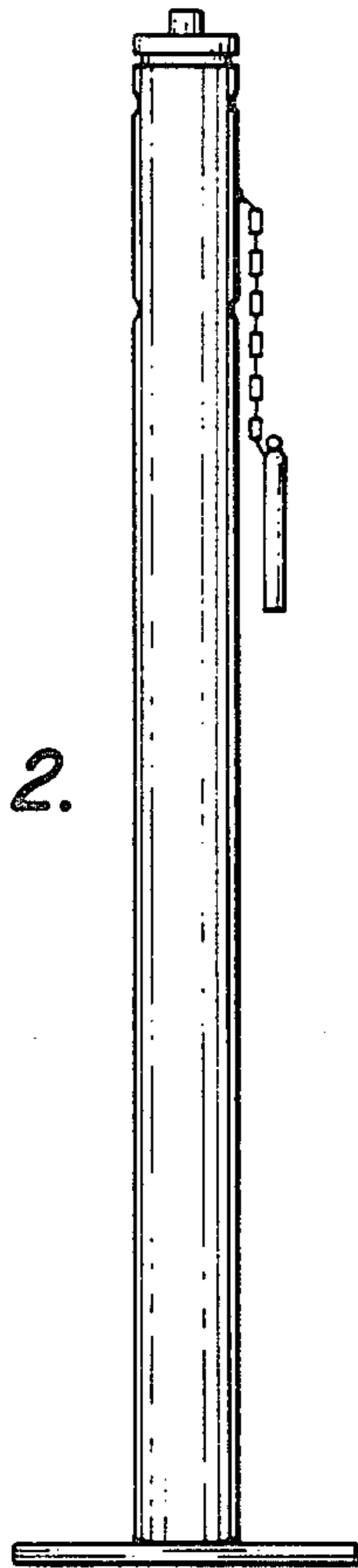


FIG. 2.

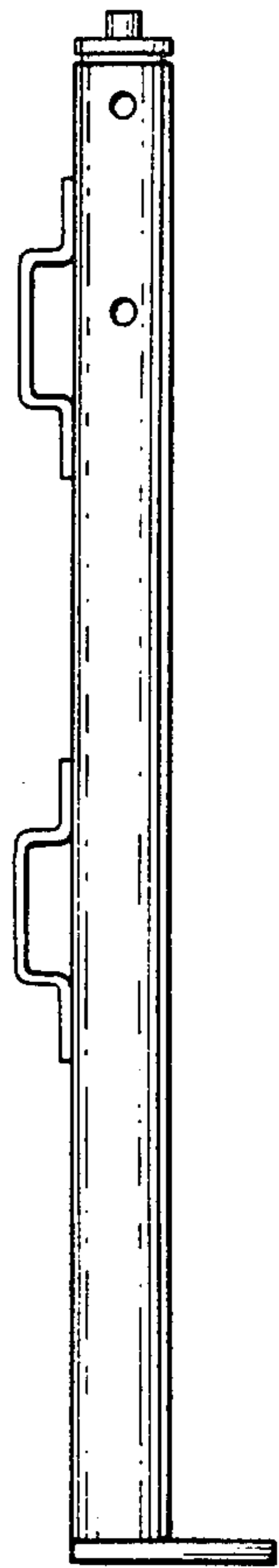


FIG. 3.

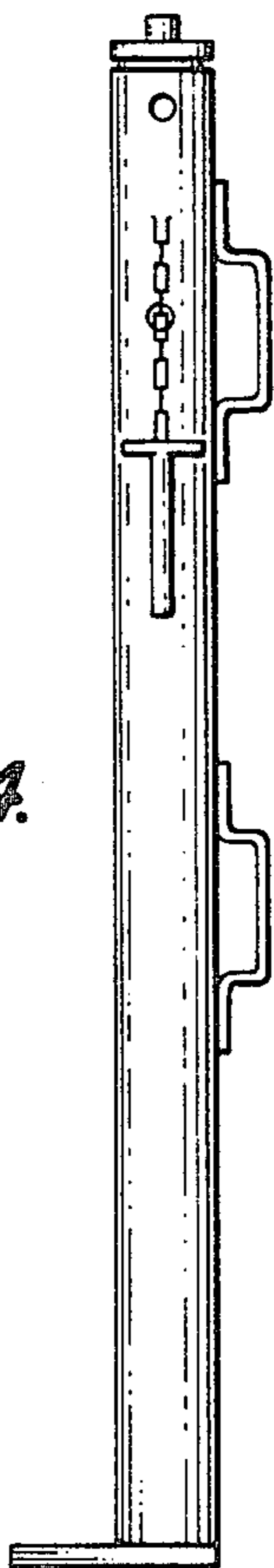


FIG. 4.

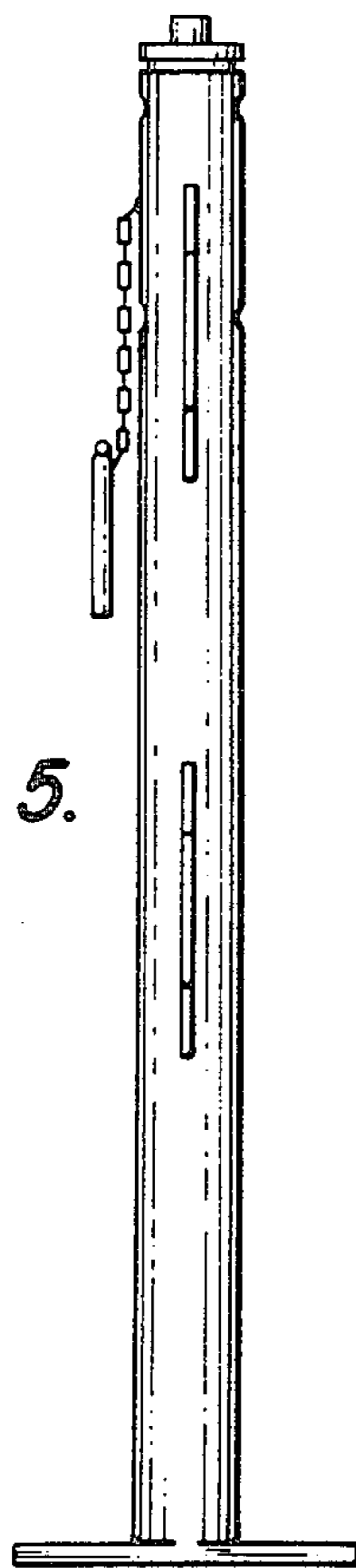
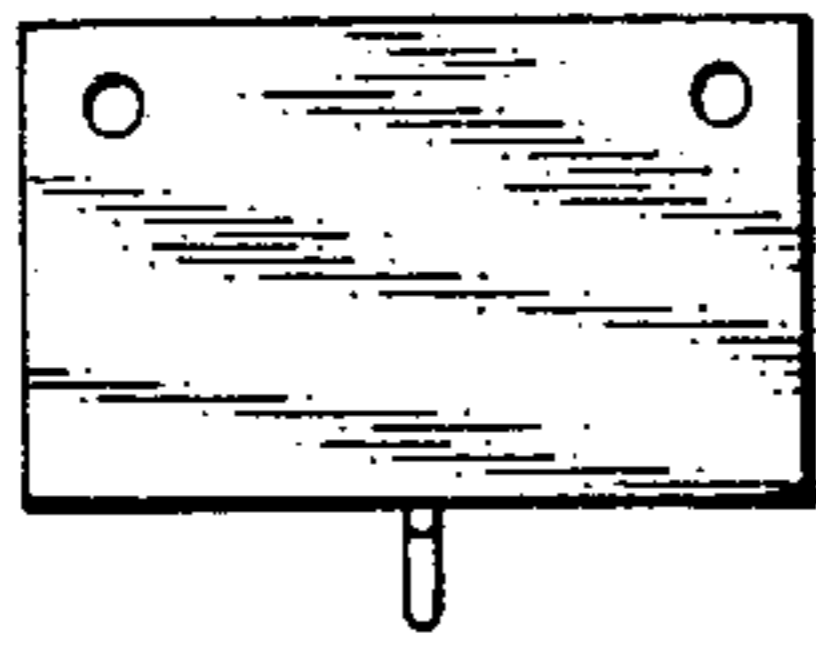
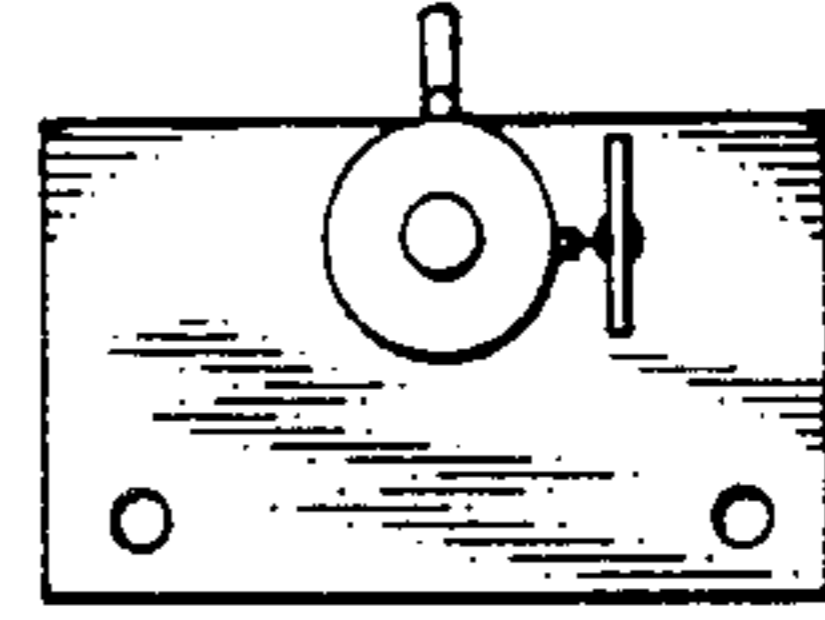


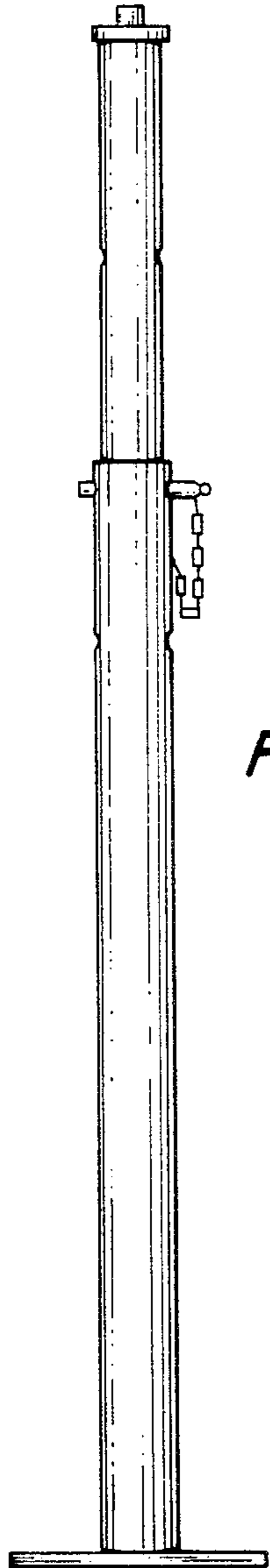
FIG. 5.



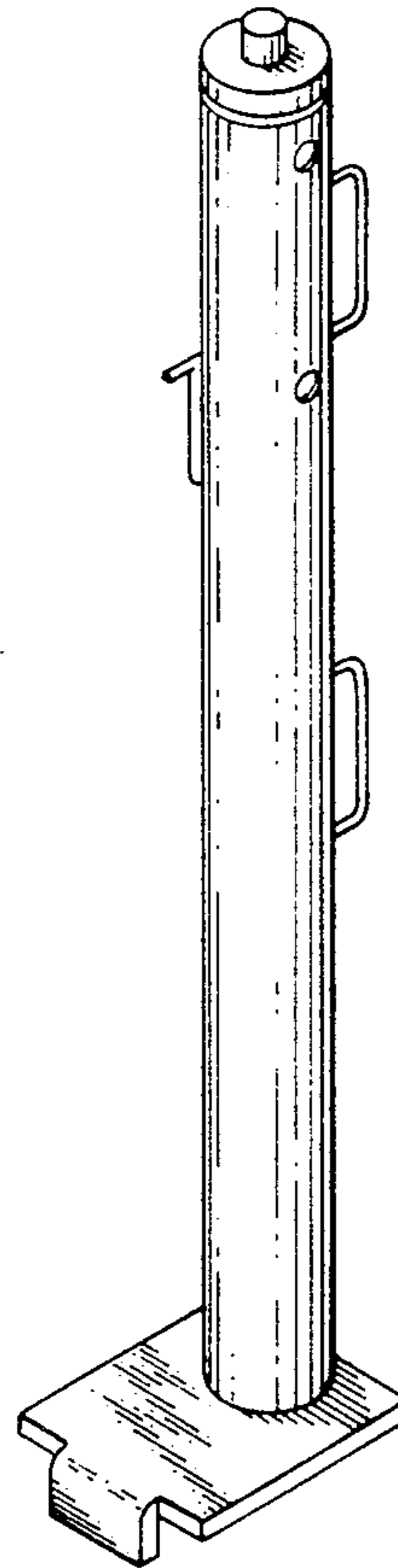
*FIG. 6.*



*FIG. 7.*



*FIG. 8.*



*FIG. 9.*