

[54] **PULSE RATE MONITOR CONSOLE**

[75] **Inventor: Leland W. Knight, Tempe, Ariz.**

[73] **Assignee: Omaco Enterprises, Inc., Phoenix, Ariz.**

[**] **Term: 14 Years**

[21] **Appl. No.: 390,222**

[22] **Filed: Jun. 21, 1982**

[52] **U.S. Cl. D24/17**

[58] **Field of Search D24/17, 31, 29, 25, D24/34, 36, 52, 38, 53, 8; 356/246; 422/104**

[56] **References Cited**

U.S. PATENT DOCUMENTS

D. 244,316	5/1977	Bodell et al.	D24/17
3,873,273	3/1975	Moran et al.	356/246
3,964,867	6/1976	Berry	356/246
4,241,018	12/1980	Lang	422/104

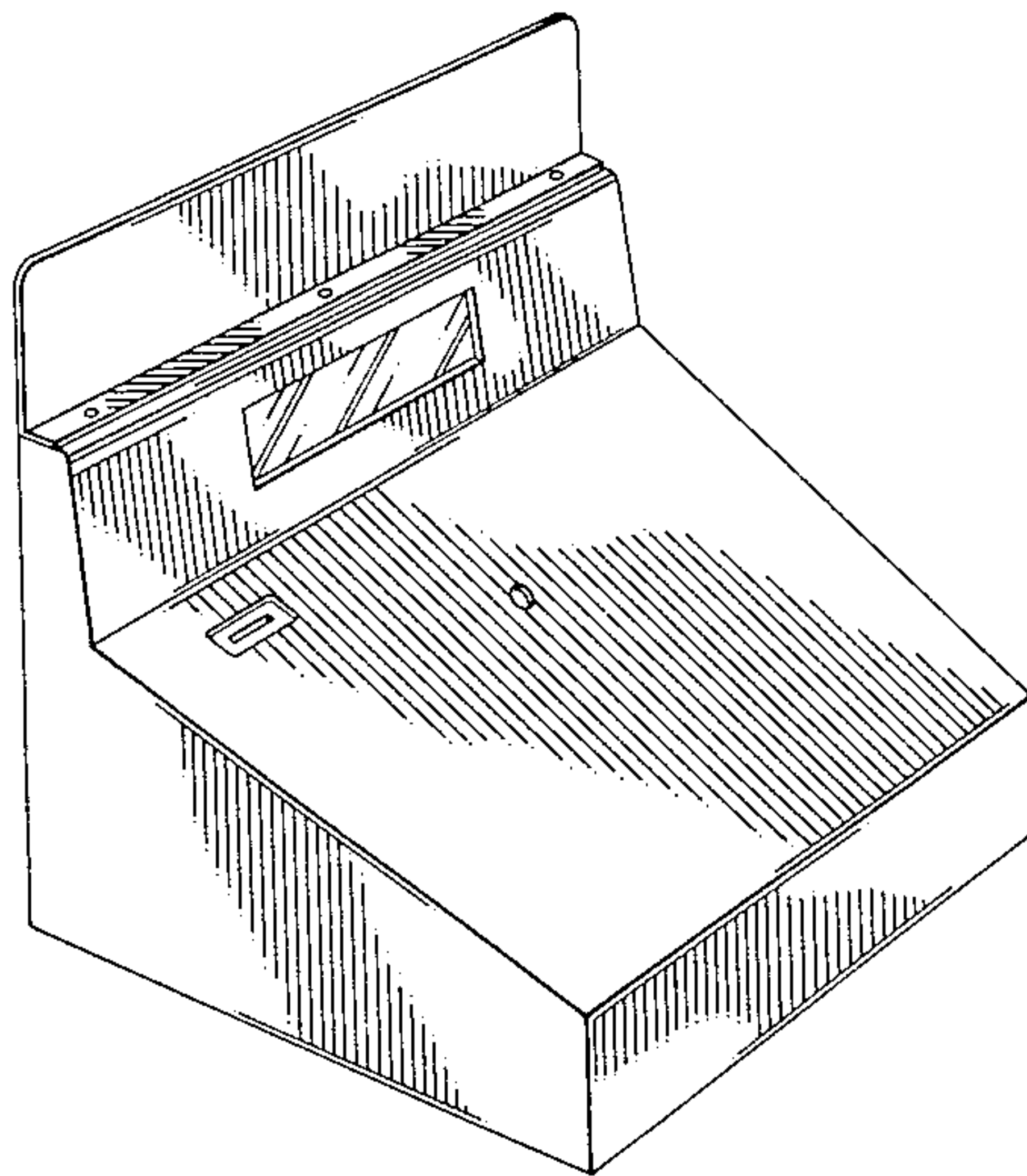
Primary Examiner—A. Hugo Word
Attorney, Agent, or Firm—Cahill, Sutton & Thomas

[57] **CLAIM**

The ornamental design for a pulse rate monitor console, as shown and described.

DESCRIPTION

FIG. 1 is a perspective view of a pulse rate monitor console or the like showing my new design; FIG. 2 is a rear elevational view thereof; and FIG. 3 is a bottom view thereof.



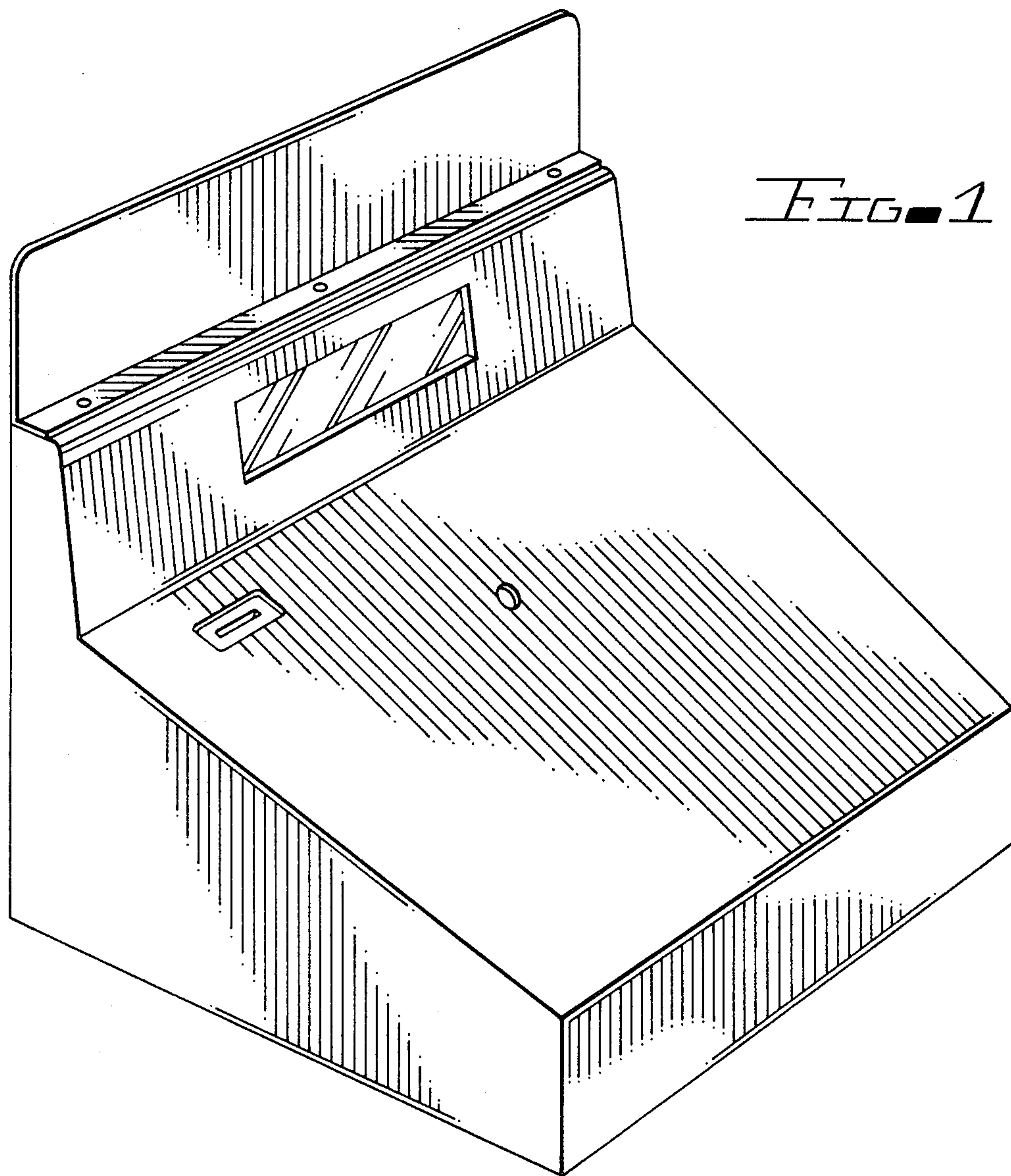


FIG. 1

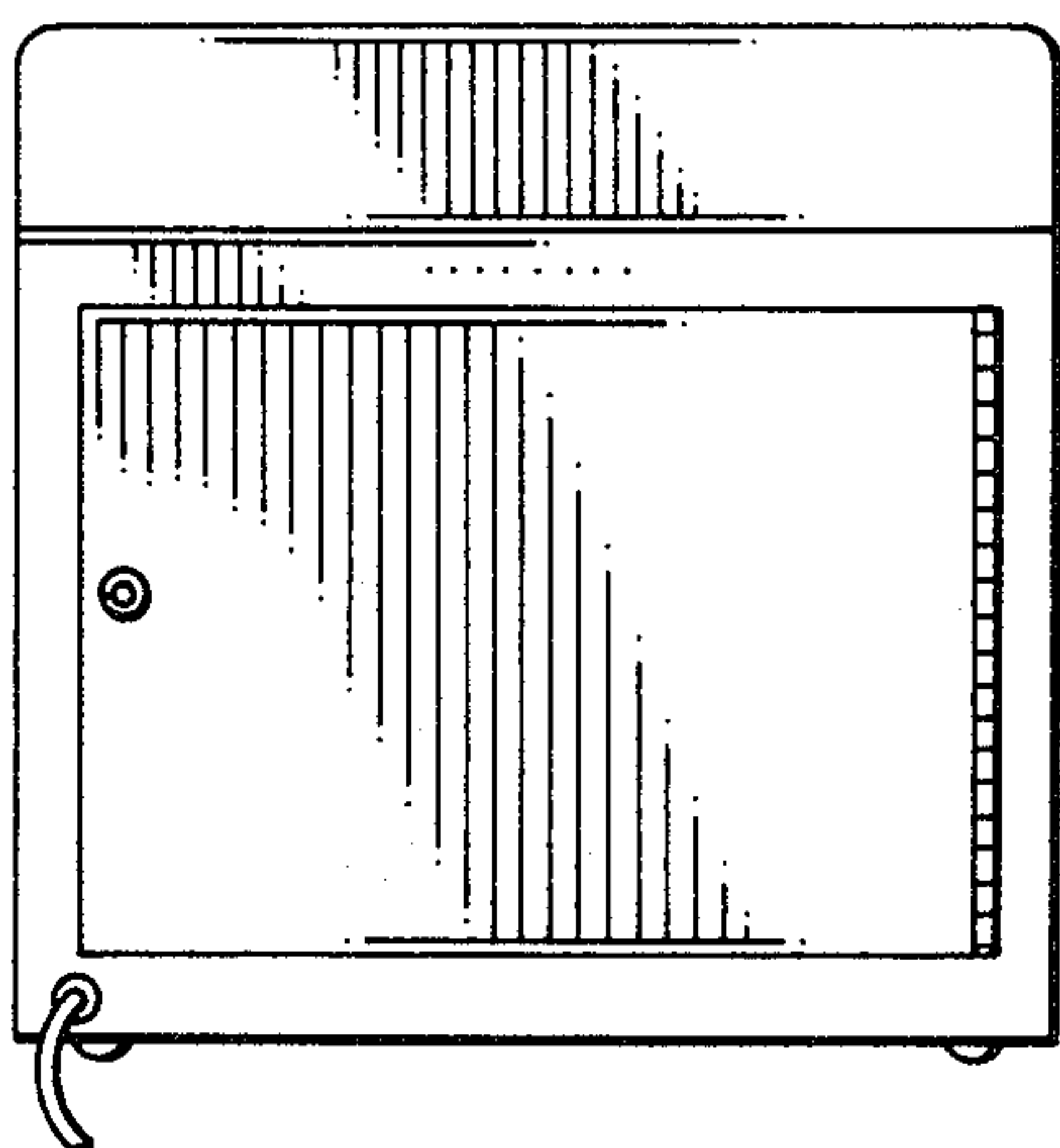


FIG. 2

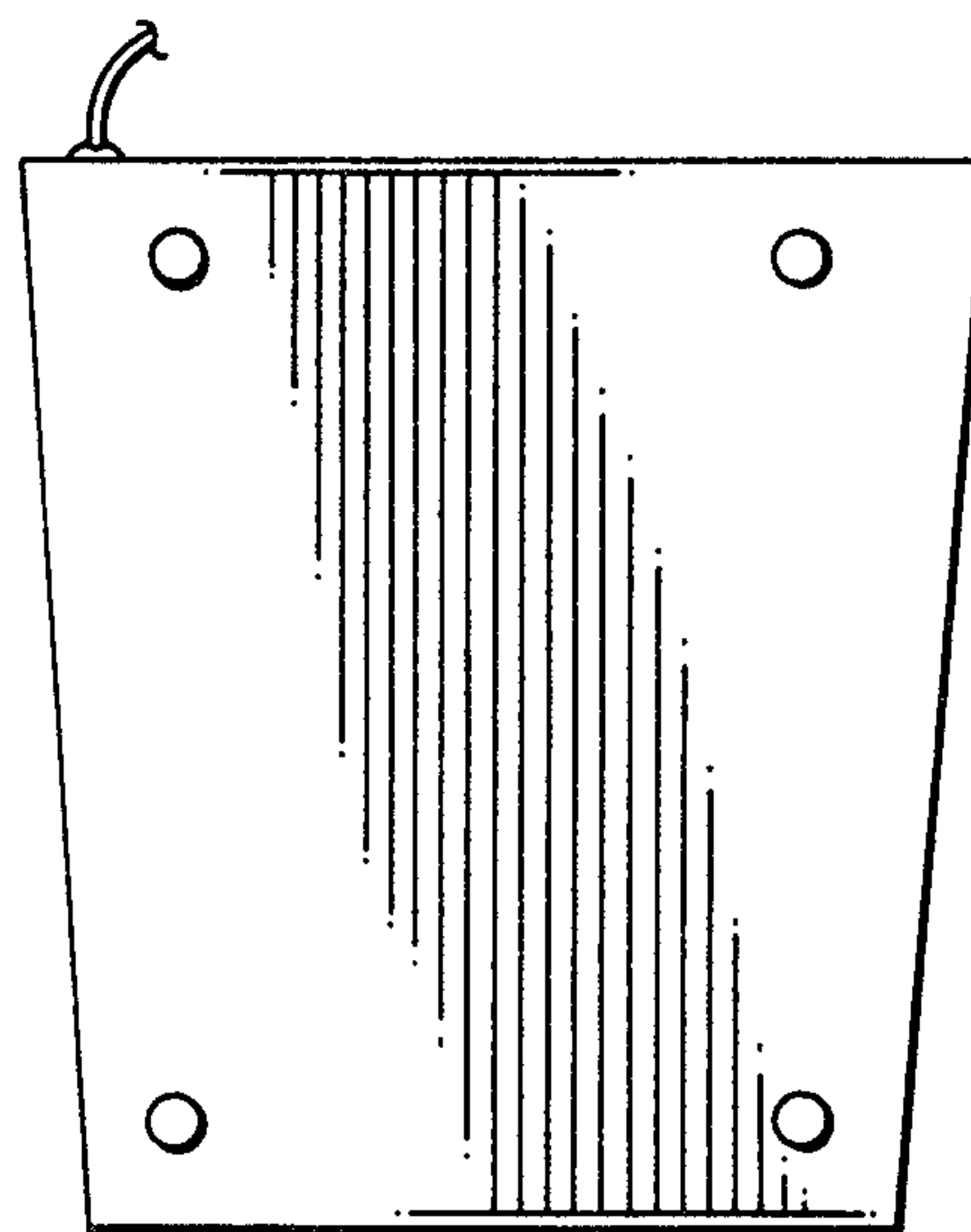


FIG. 3