

[54] FISHING REEL

[75] Inventor: Keikichi Sakai, Tokyo, Japan

[73] Assignee: Sakai Co., Ltd., Tokyo, Japan

[**] Term: 14 Years

[21] Appl. No.: 513,099

[22] Filed: Jul. 12, 1983

[52] U.S. Cl. D22/25

[58] Field of Search D22/25; 242/84.1 R,
242/84.1 A, 84.2 R, 84.2 A, 84.2 F, 84.21 A,
84.4

[56] References Cited

U.S. PATENT DOCUMENTS

D. 260,166 8/1981 Myojo D22/25
2,915,258 12/1959 Hull D22/25 X

3,794,264 2/1974 Hull D22/25 X

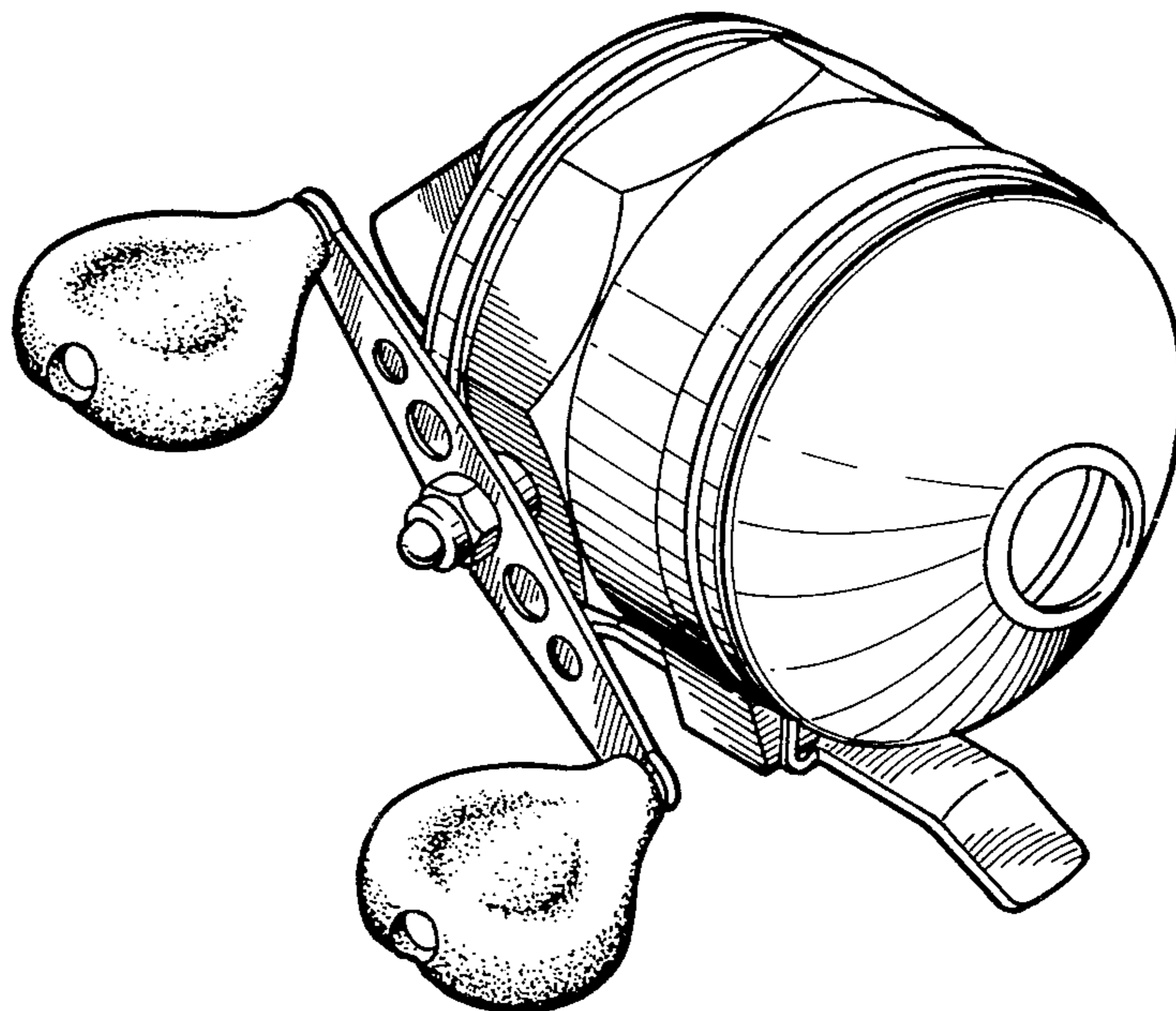
Primary Examiner—A. Hugo Word
Attorney, Agent, or Firm—Oblon, Fisher, Spivak,
McClelland & Maier

[57] CLAIM

The ornamental design for a fishing reel, substantially as shown.

DESCRIPTION

FIG. 1 is a left, front perspective view of a fishing reel showing my new design;
FIG. 2 is a right side elevational view thereof;
FIG. 3 is a top plan view thereof;
FIG. 4 is a left side elevational view thereof;
FIG. 5 is a bottom plan view thereof; and
FIGS. 6 and 7 are front and rear views, respectively, thereof.



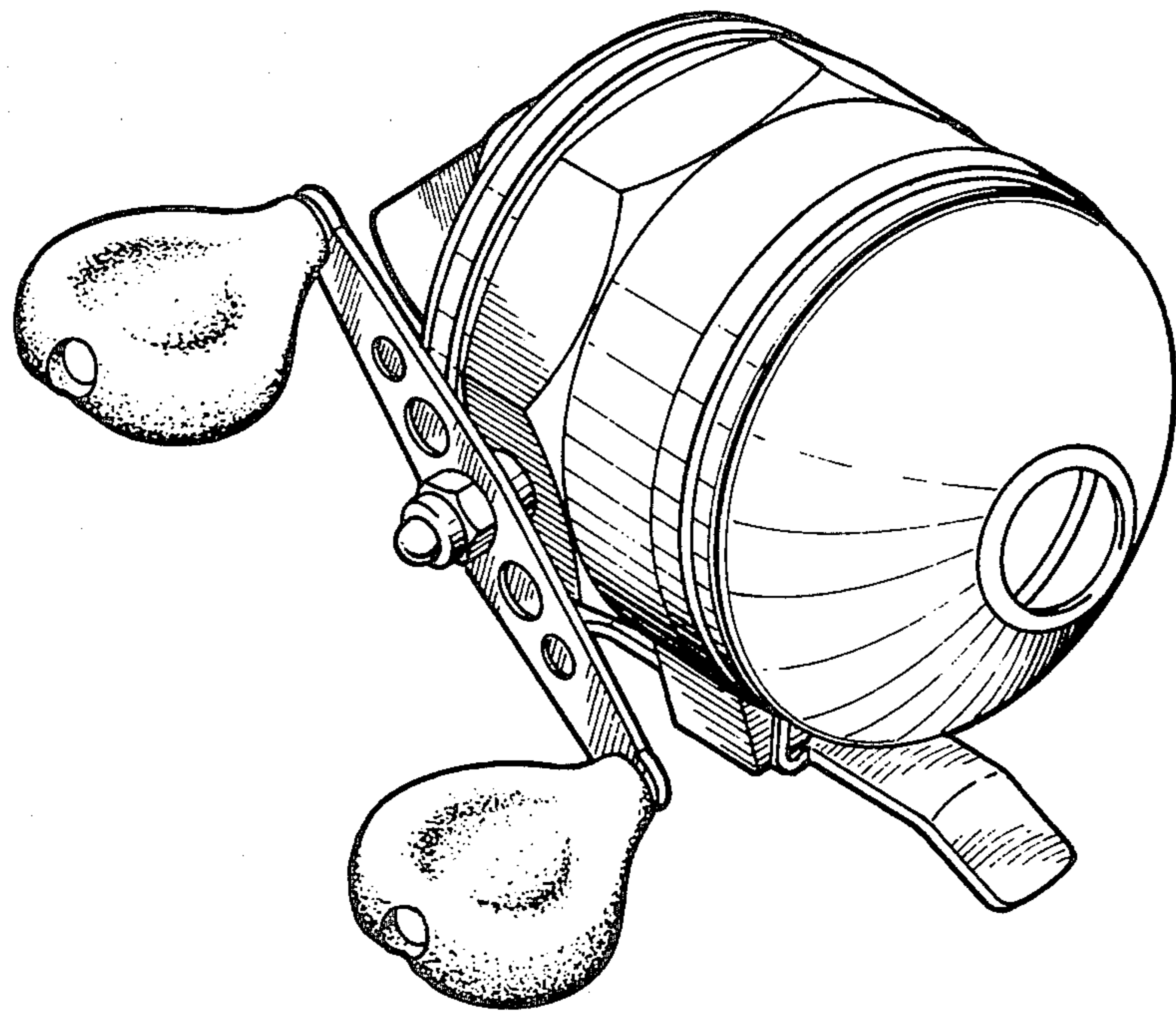


FIG. 1

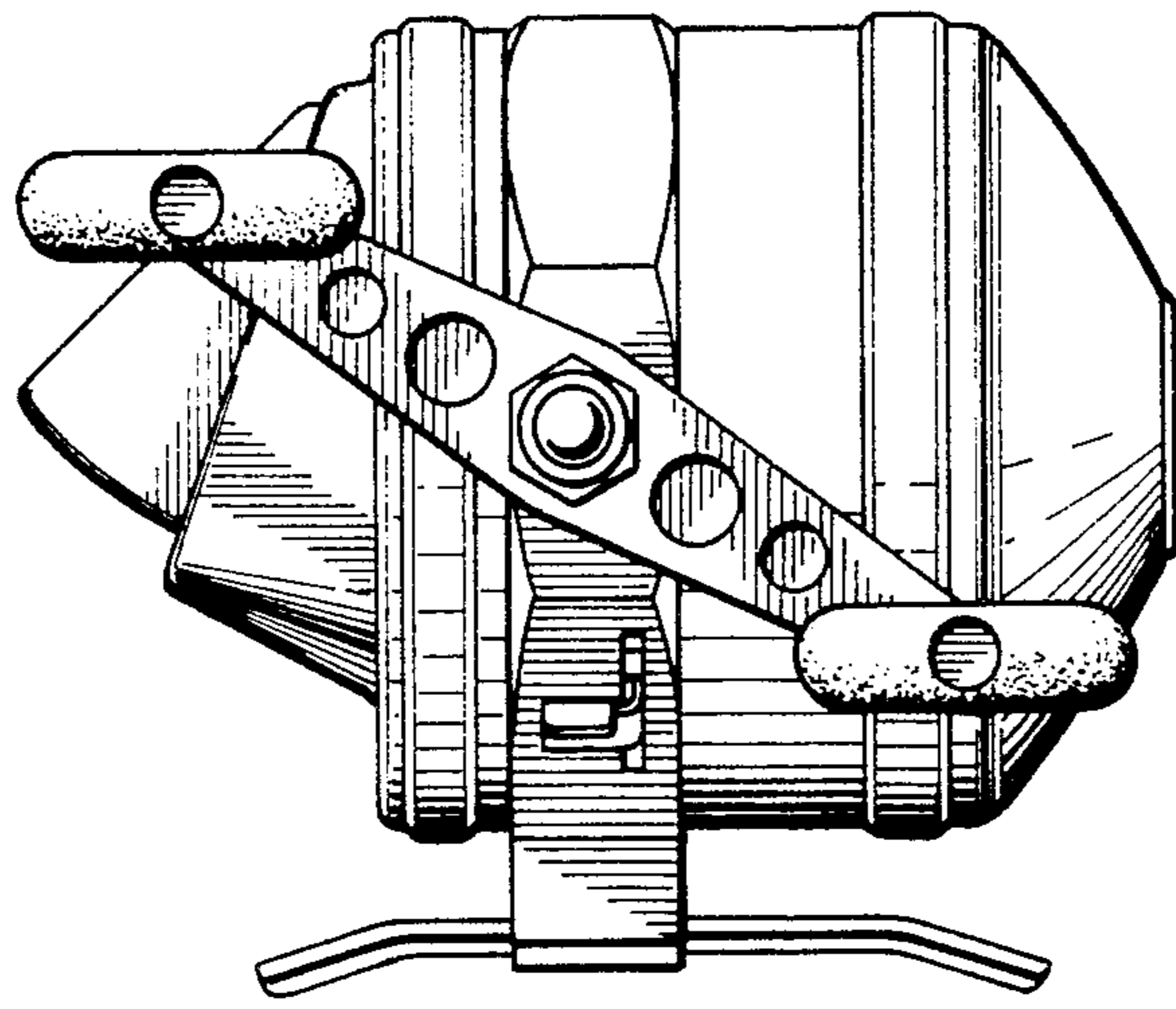


FIG. 2

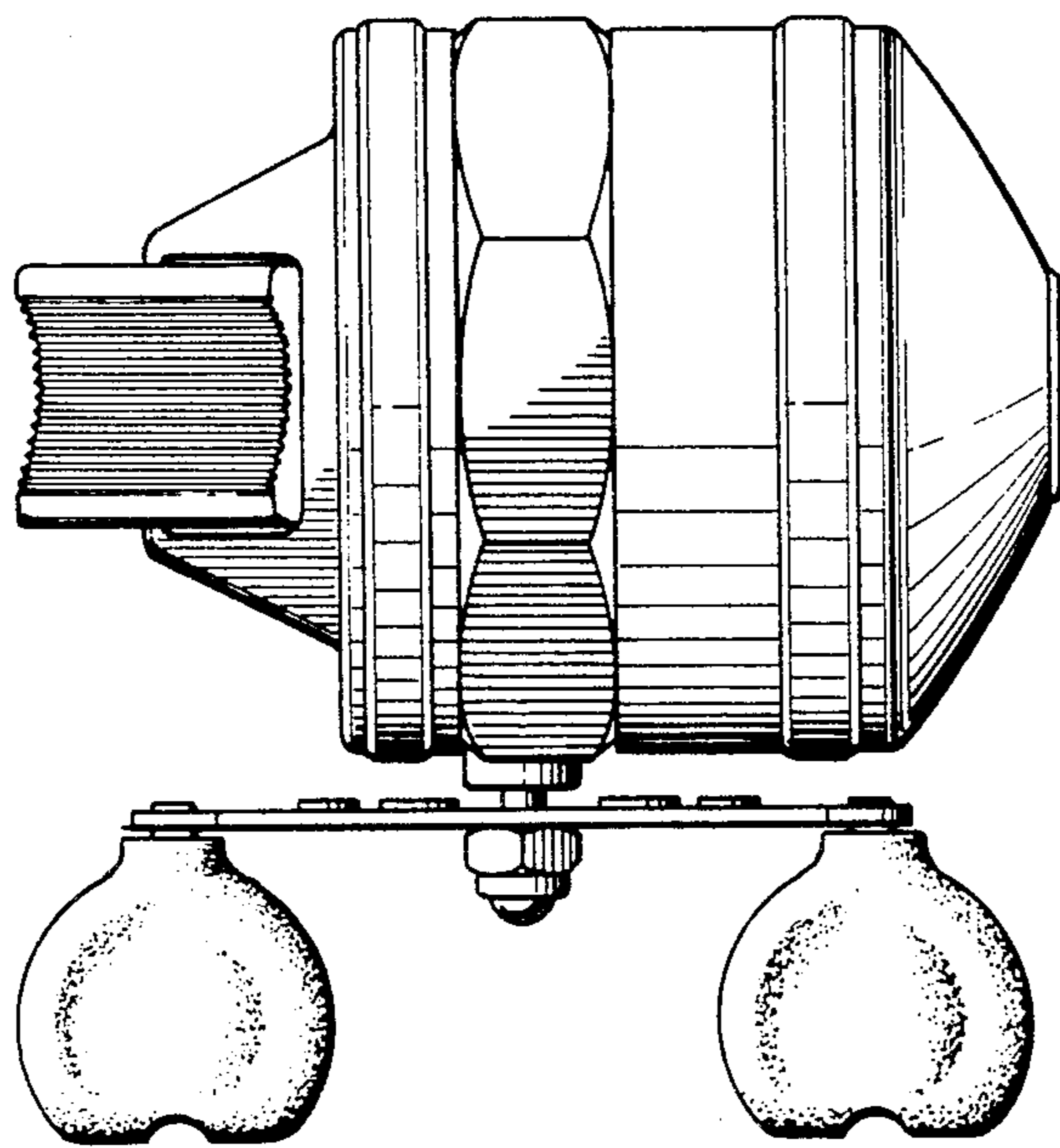


FIG. 3

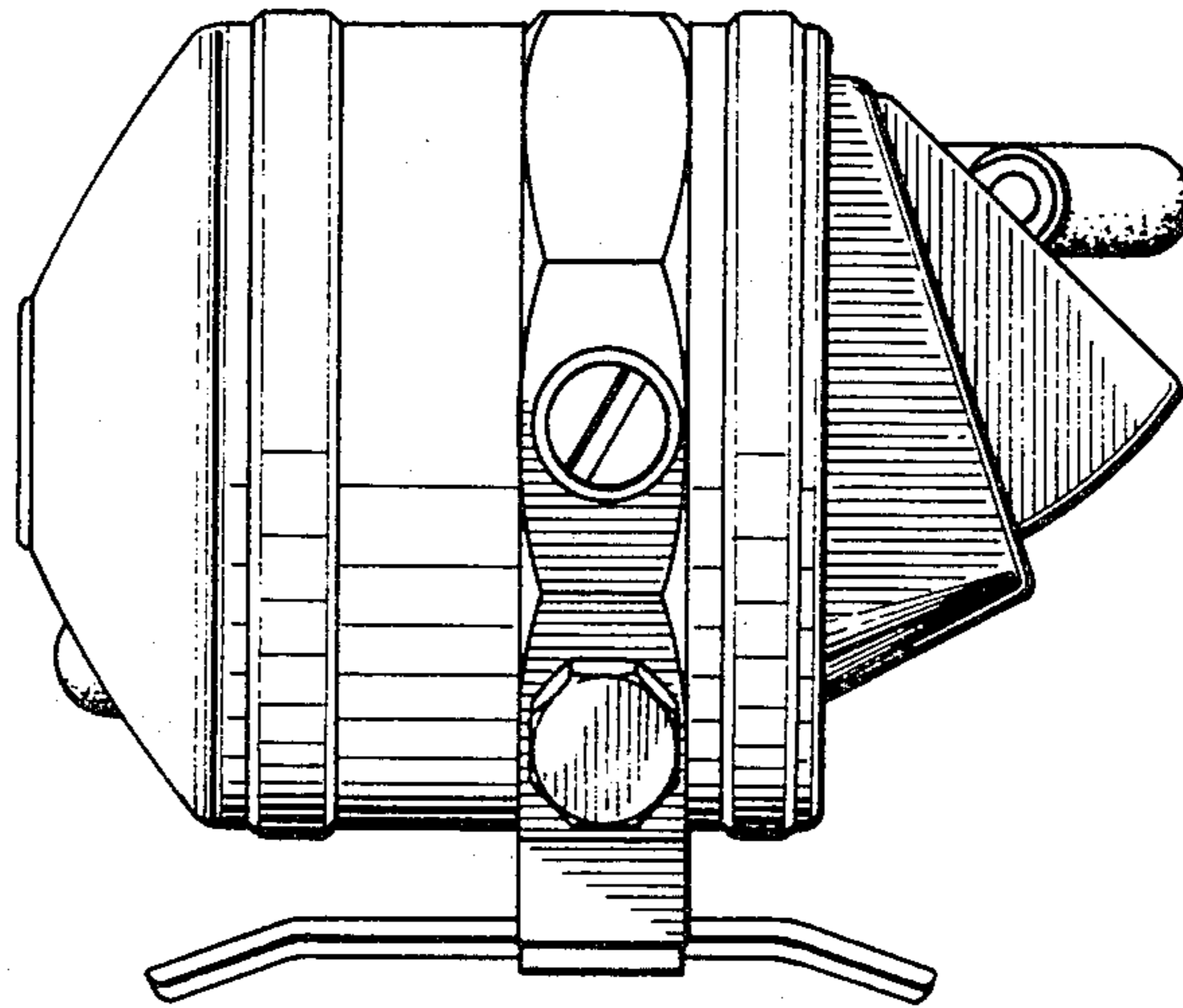


FIG. 4

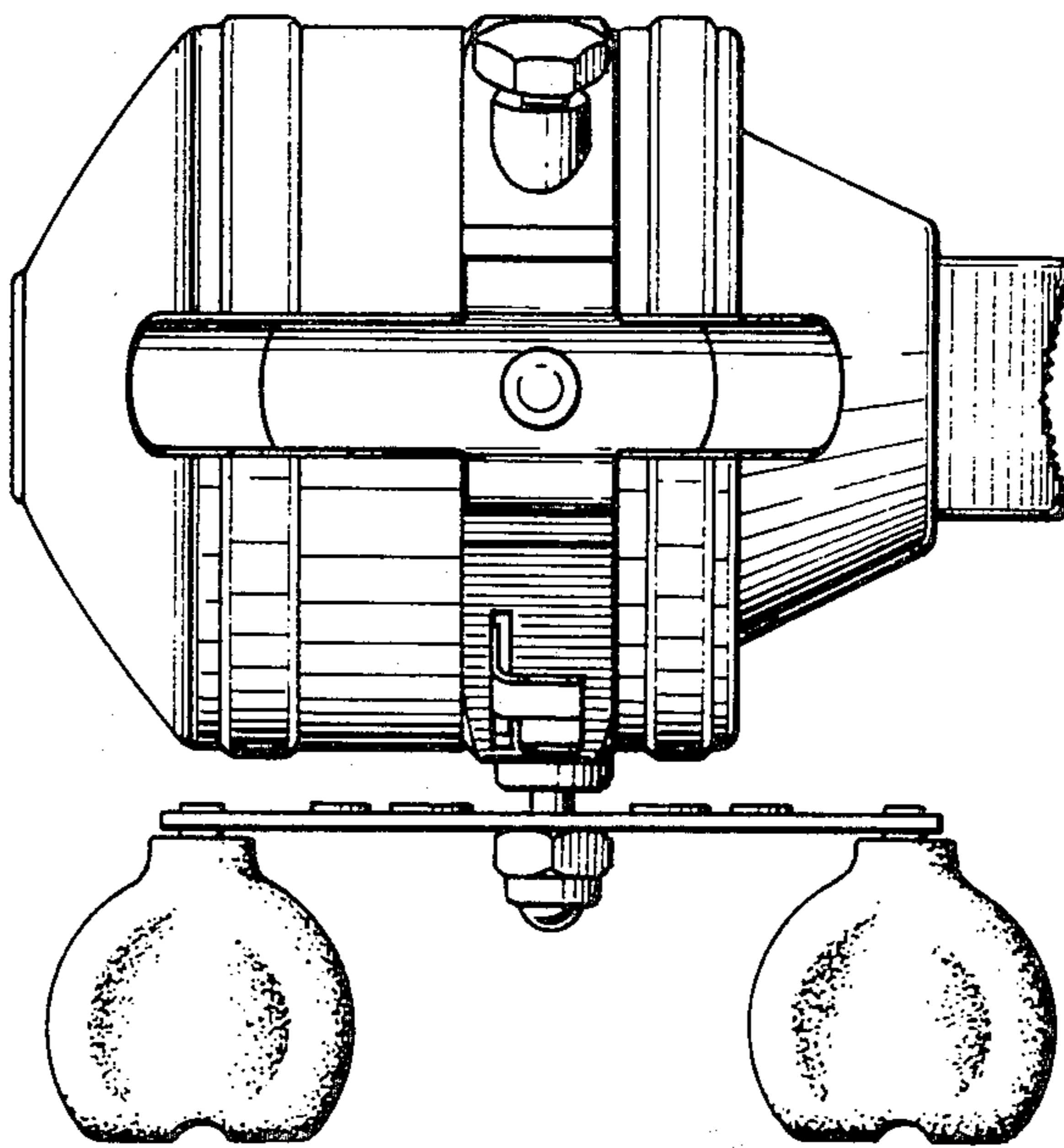


FIG. 5

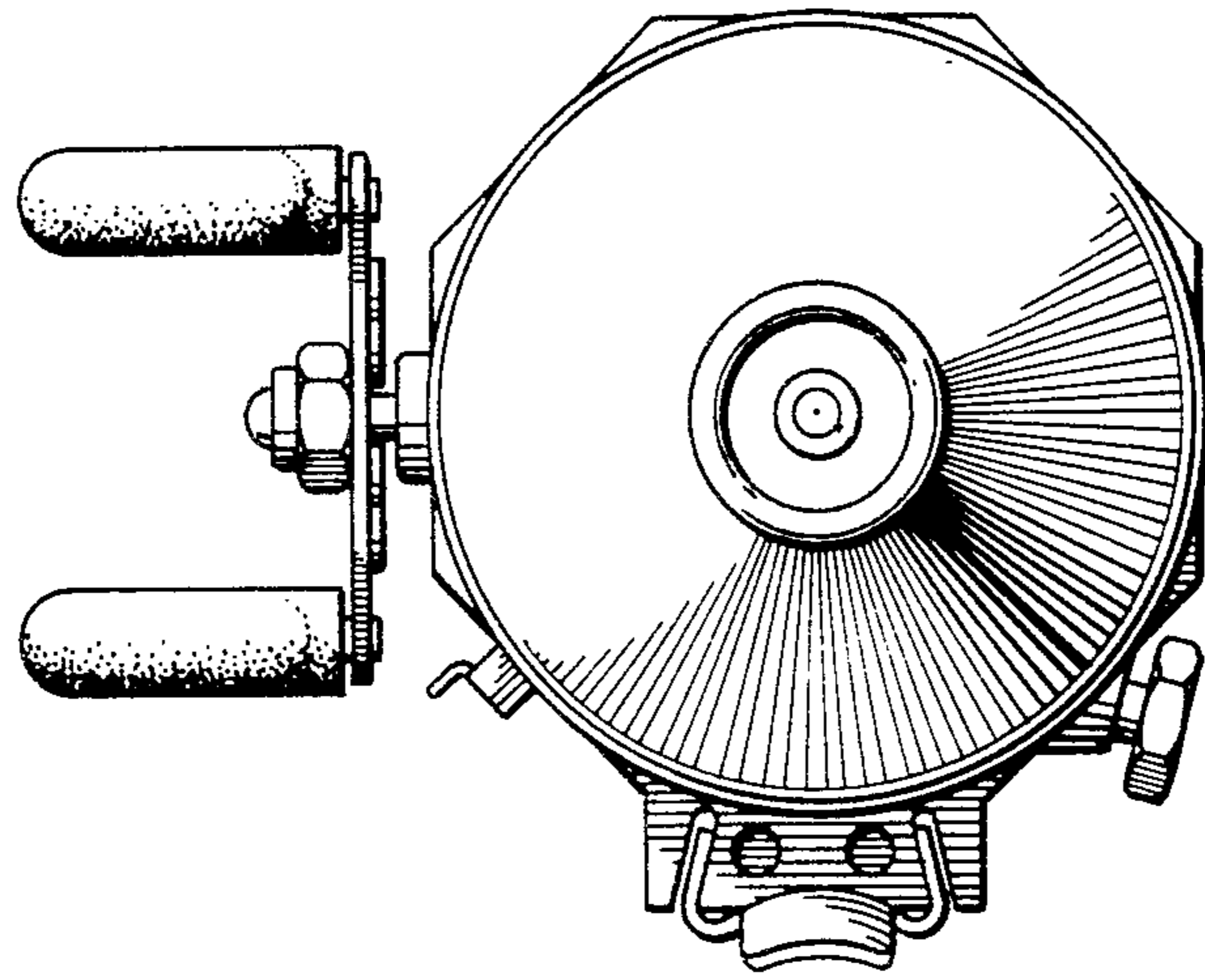


FIG. 6

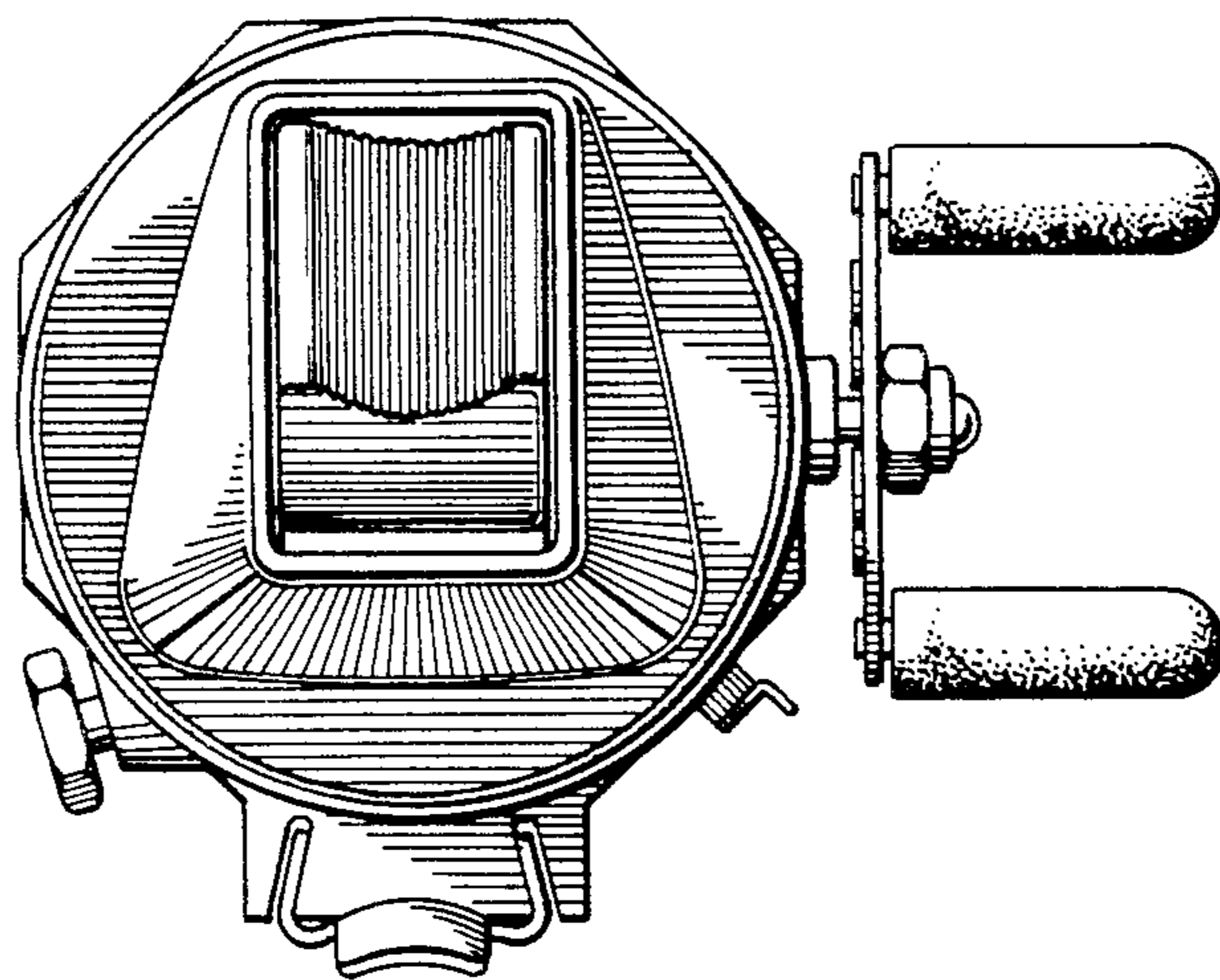


FIG. 7