

United States Patent [19]

Hiraishi et al.

[11] Patent Number: **Des. 281,189**

[45] Date of Patent: **** Oct. 29, 1985**

[54] FISHING REEL

[75] Inventors: **Etsuo Hiraishi, Hiroshima; Takeshi Shohoji, Chiba, both of Japan**

[73] Assignee: **Ryobi Ltd., Hiroshima, Japan**

[**] Term: **14 Years**

[21] Appl. No.: **467,555**

[22] Filed: **Feb. 17, 1983**

[30] **Foreign Application Priority Data**

Aug. 18, 1982 [JP] Japan 57-37661

[52] U.S. Cl. **D22/25**

[58] Field of Search **D22/25; 242/84.1 R, 242/84.1 J, 84.2 R**

[56] **References Cited**

U.S. PATENT DOCUMENTS

D. 254,091 1/1980 Jansson et al. D22/25
D. 260,804 9/1981 Sakamoto et al. D22/25
4,203,565 5/1980 Puryear 242/84.1 R
4,369,930 1/1983 Noda 242/81.1 J

Primary Examiner—A. Hugo Word
Attorney, Agent, or Firm—Sughrue, Mion, Zinn, Macpeak and Seas

[57] **CLAIM**

The ornamental design for a fishing reel, as shown.

DESCRIPTION

FIG. 1 is a front, top and left side perspective view of a fishing reel showing our new design;
FIG. 2 is a left side elevational view thereof;
FIG. 3 is a right side elevational view thereof;
FIG. 4 is a front elevational view thereof;
FIG. 5 is a rear elevational view thereof;
FIG. 6 is a top plan view thereof; and
FIG. 7 is a bottom plan view thereof.

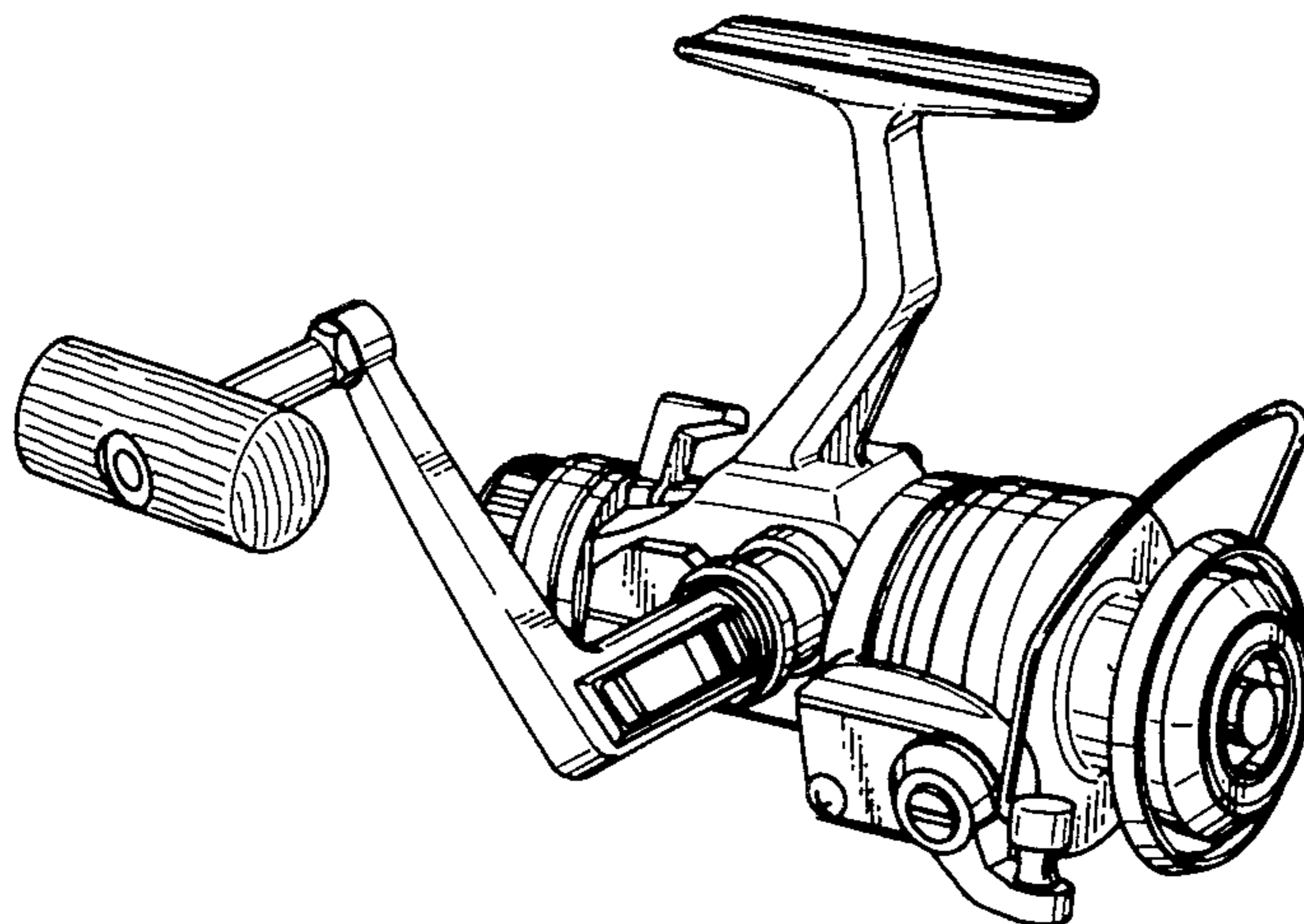


Fig. 1

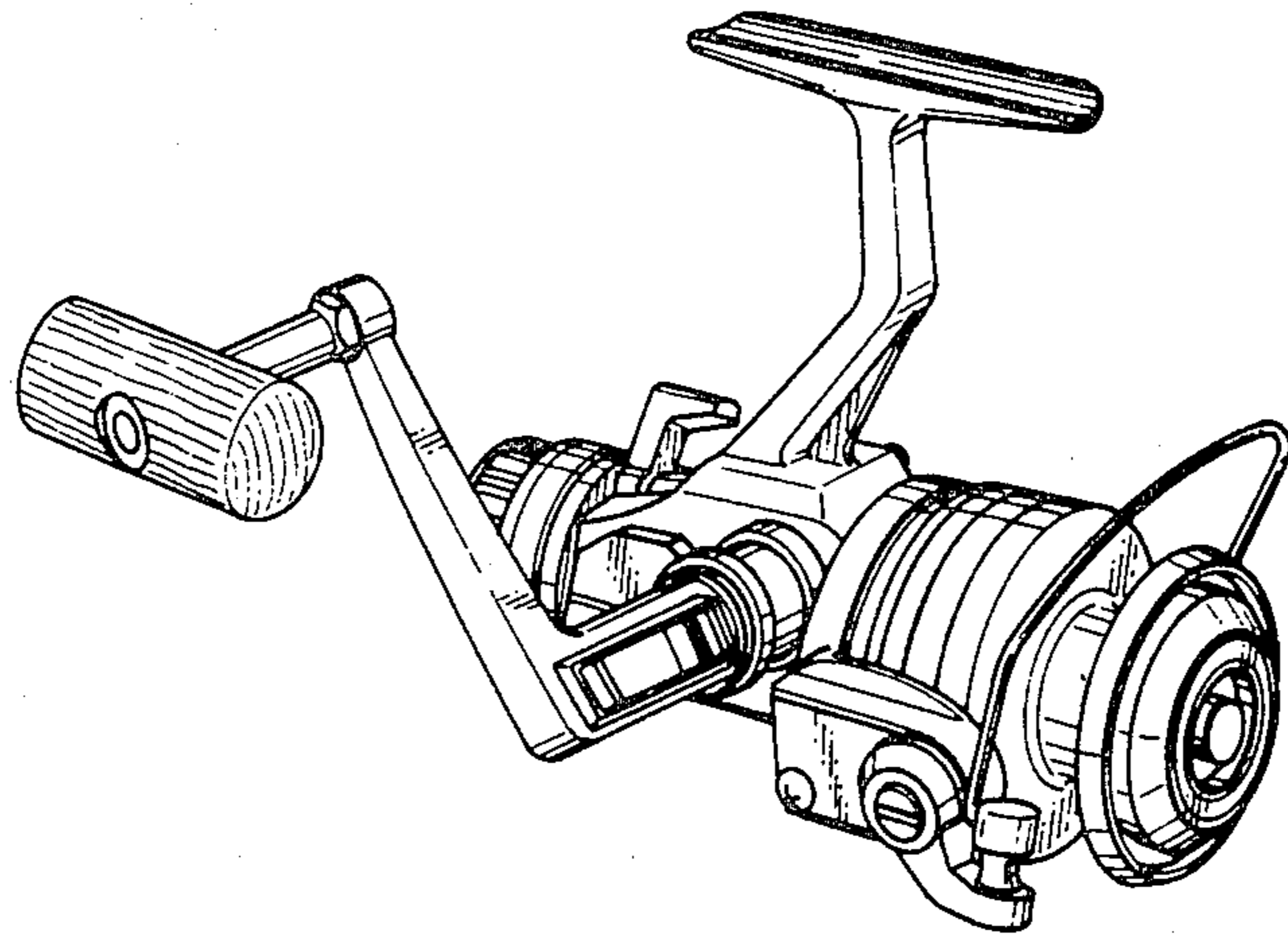
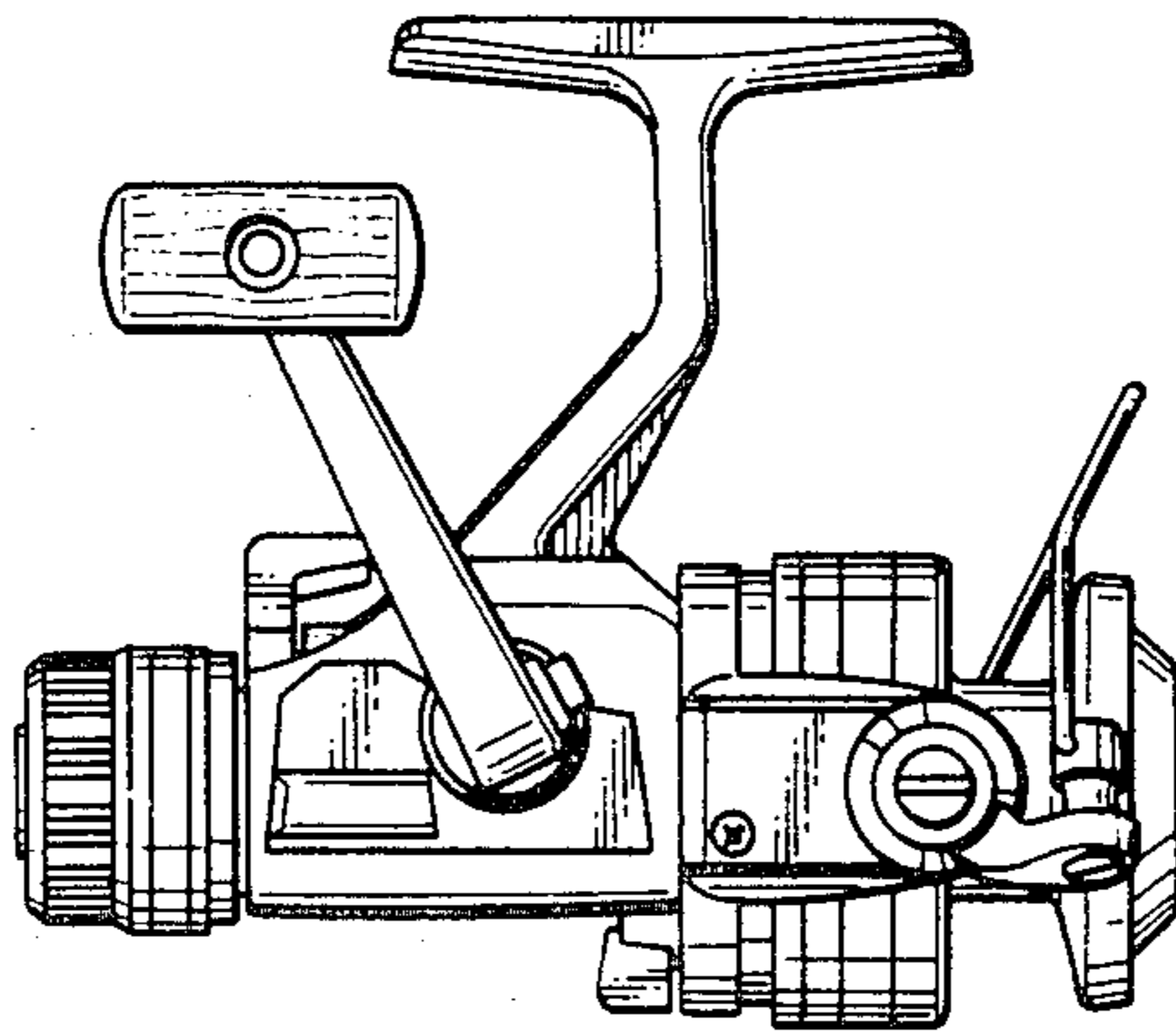


Fig. 2



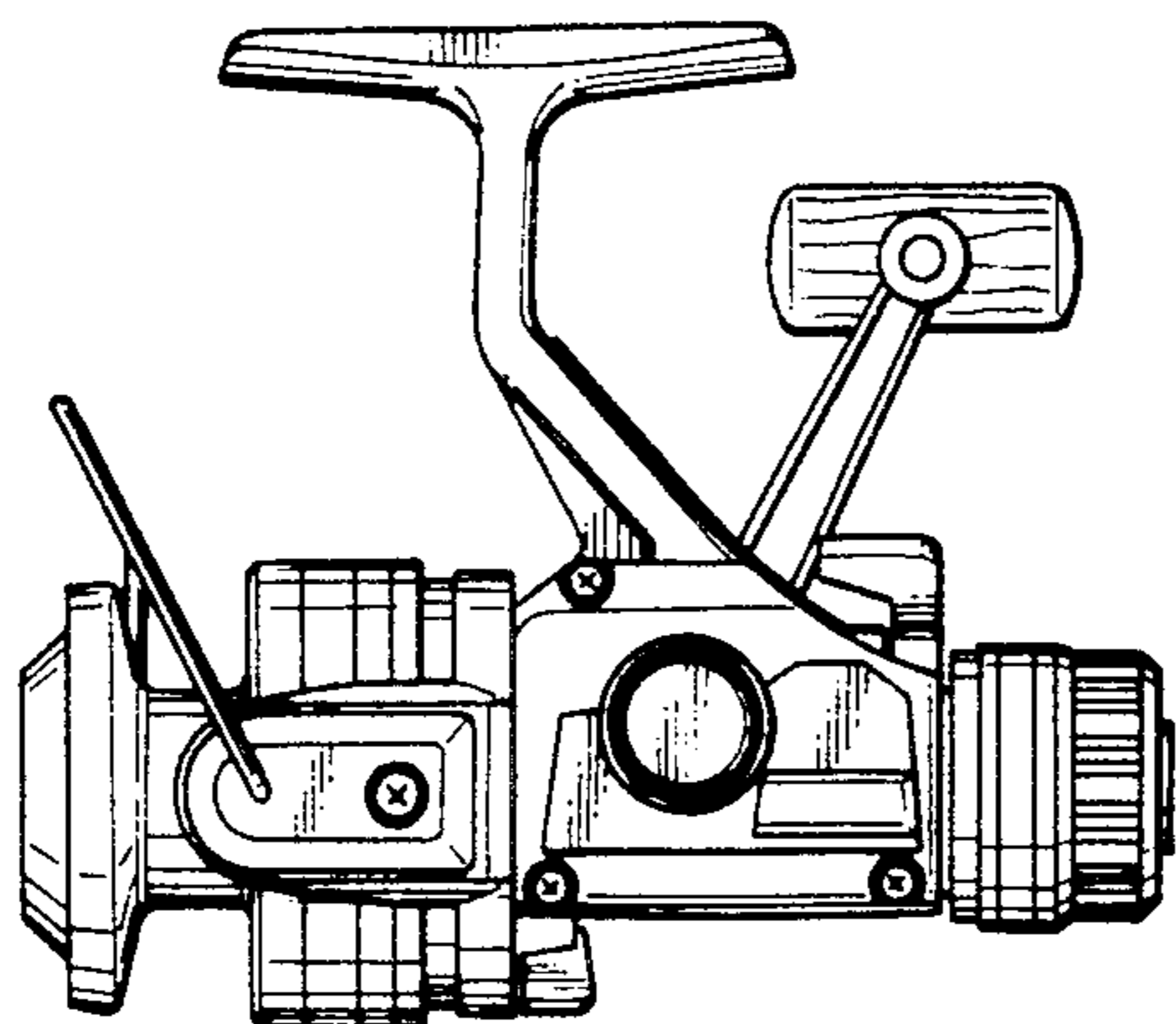


Fig. 3

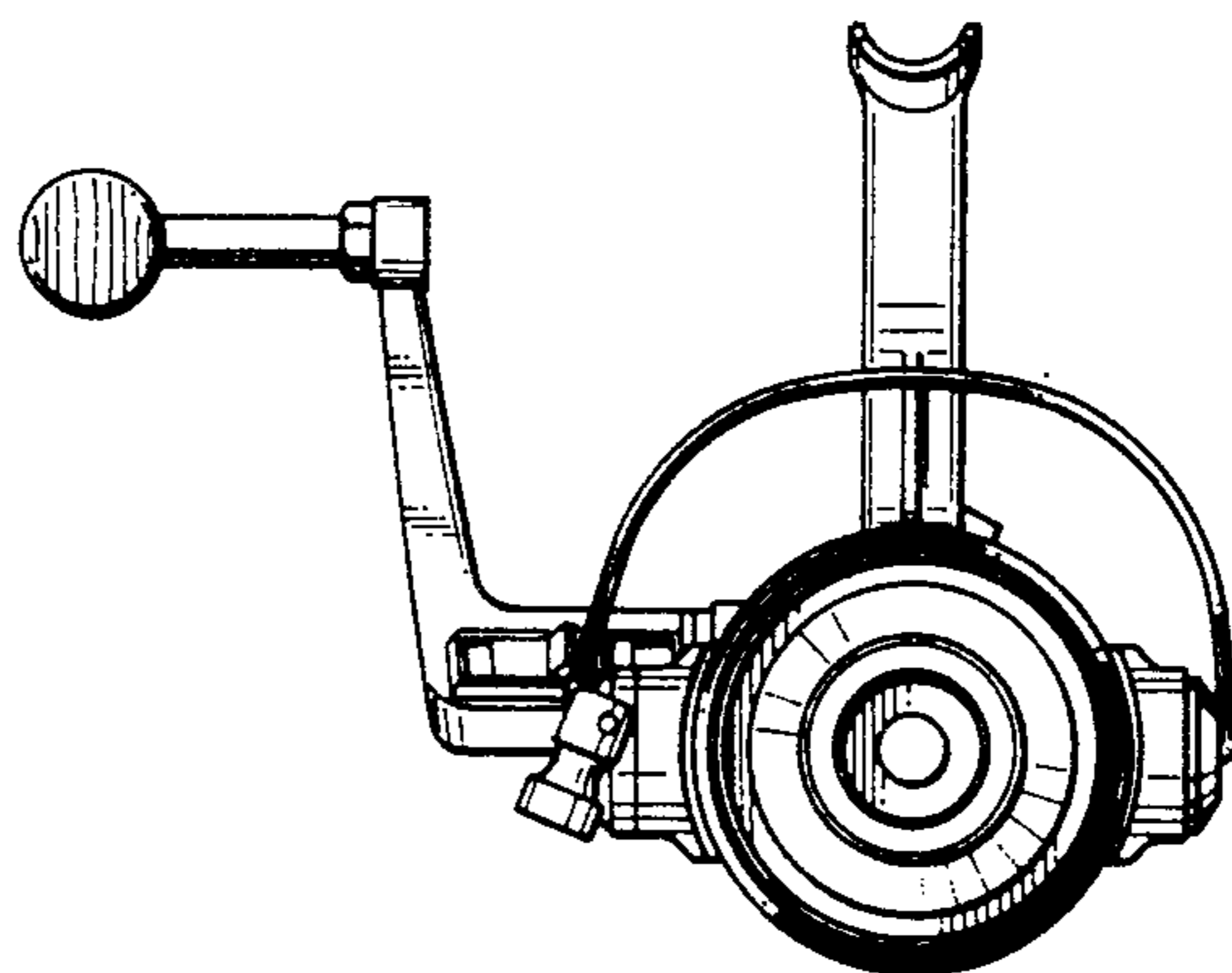


Fig. 4

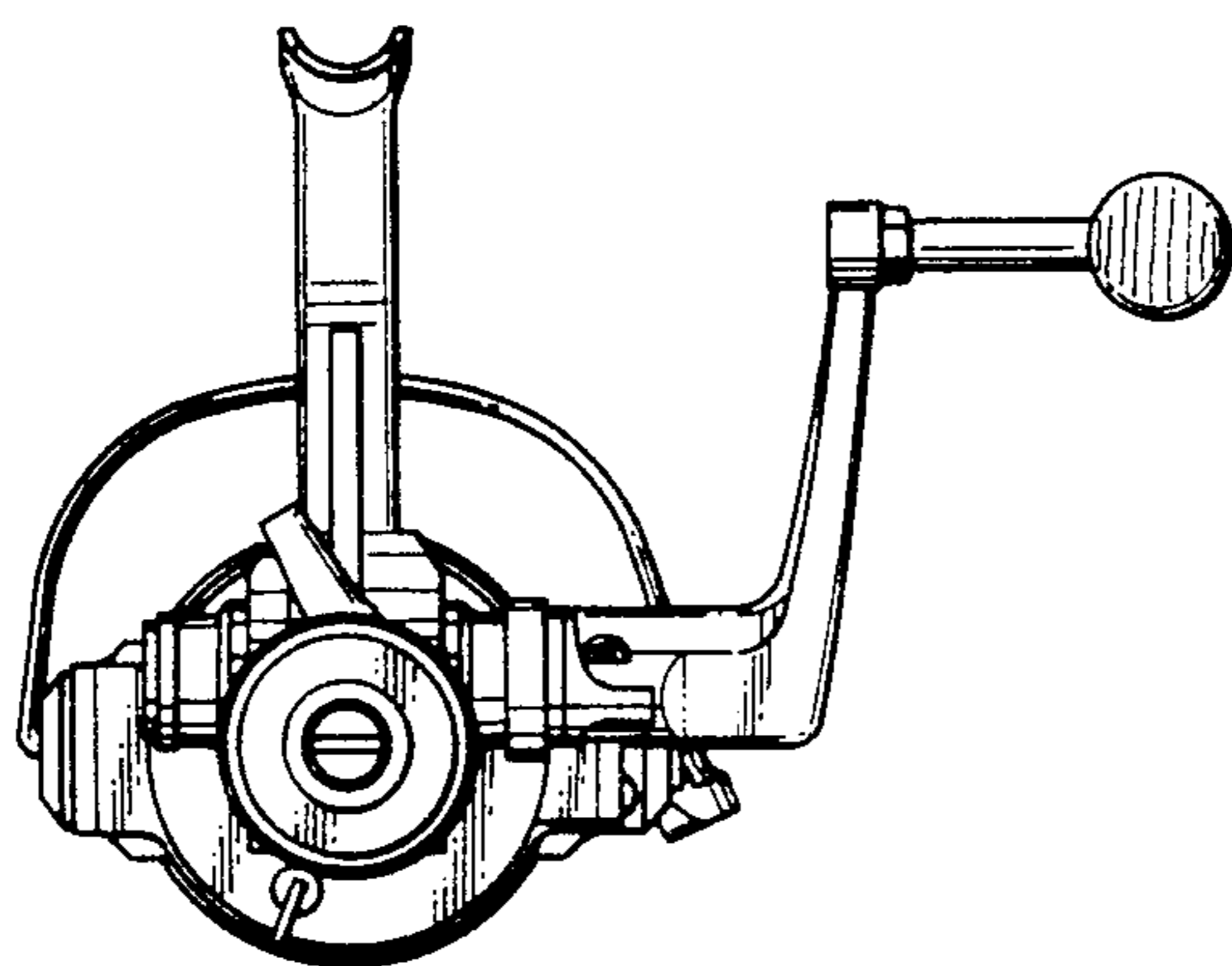


Fig. 5

Fig. 6

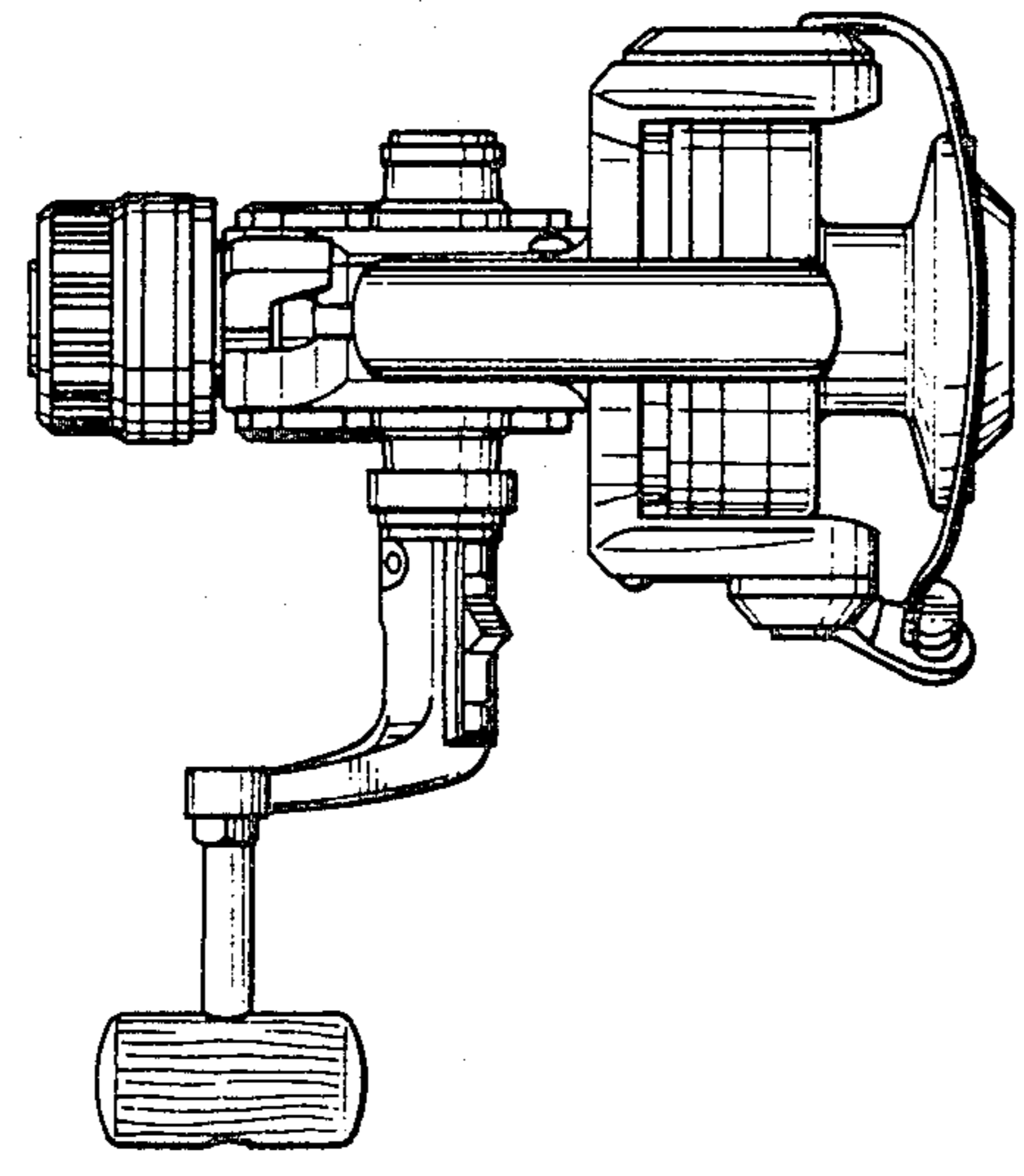


Fig. 7

