

[54] FISHING REEL

[56] References Cited

[75] Inventors: Takeshi Shohoji, Chiba; Yutaka Kanamaru, Kanagawa, both of Japan

U.S. PATENT DOCUMENTS

- D. 255,702 7/1980 Iinuma D22/25
- D. 258,904 4/1981 Myojo D22/25
- D. 265,497 7/1982 Sakamoto et al. D22/25
- D. 266,184 9/1982 Iinuma et al. D22/25

[73] Assignee: Ryobi Ltd., Hiroshima, Japan

Primary Examiner—A. Hugo Word
Attorney, Agent, or Firm—Sughrue, Mion, Zinn, Macpeak and Seas

[**] Term: 14 Years

[57] CLAIM

[21] Appl. No.: 467,536

The ornamental design for a fishing reel, as shown.

[22] Filed: Feb. 17, 1983

DESCRIPTION

[30] Foreign Application Priority Data

- Aug. 18, 1982 [JP] Japan 57-37660
- [52] U.S. Cl. D22/25
- [58] Field of Search D22/25; 242/84.1 R, 242/84.1 J, 84.2 R

FIG. 1 is a top, front and left side perspective view of a fishing reel showing our new design; FIG. 2 is a left side elevational view thereof; FIG. 3 is a right side elevational view thereof; FIG. 4 is a rear elevational view thereof; FIG. 5 is a front elevational view thereof; FIG. 6 is a top plan view thereof; and FIG. 7 is a bottom plan view thereof.

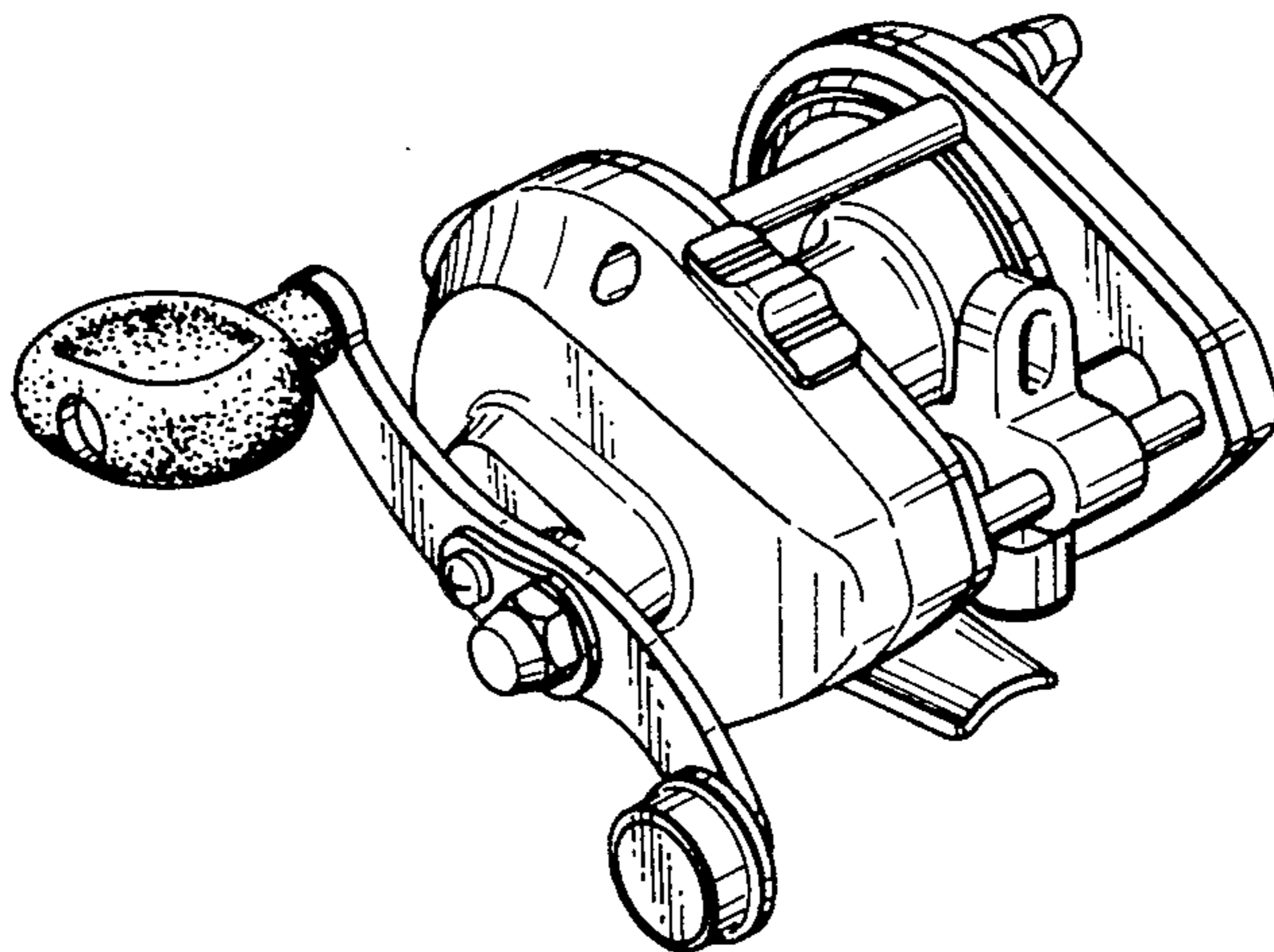


Fig. 1

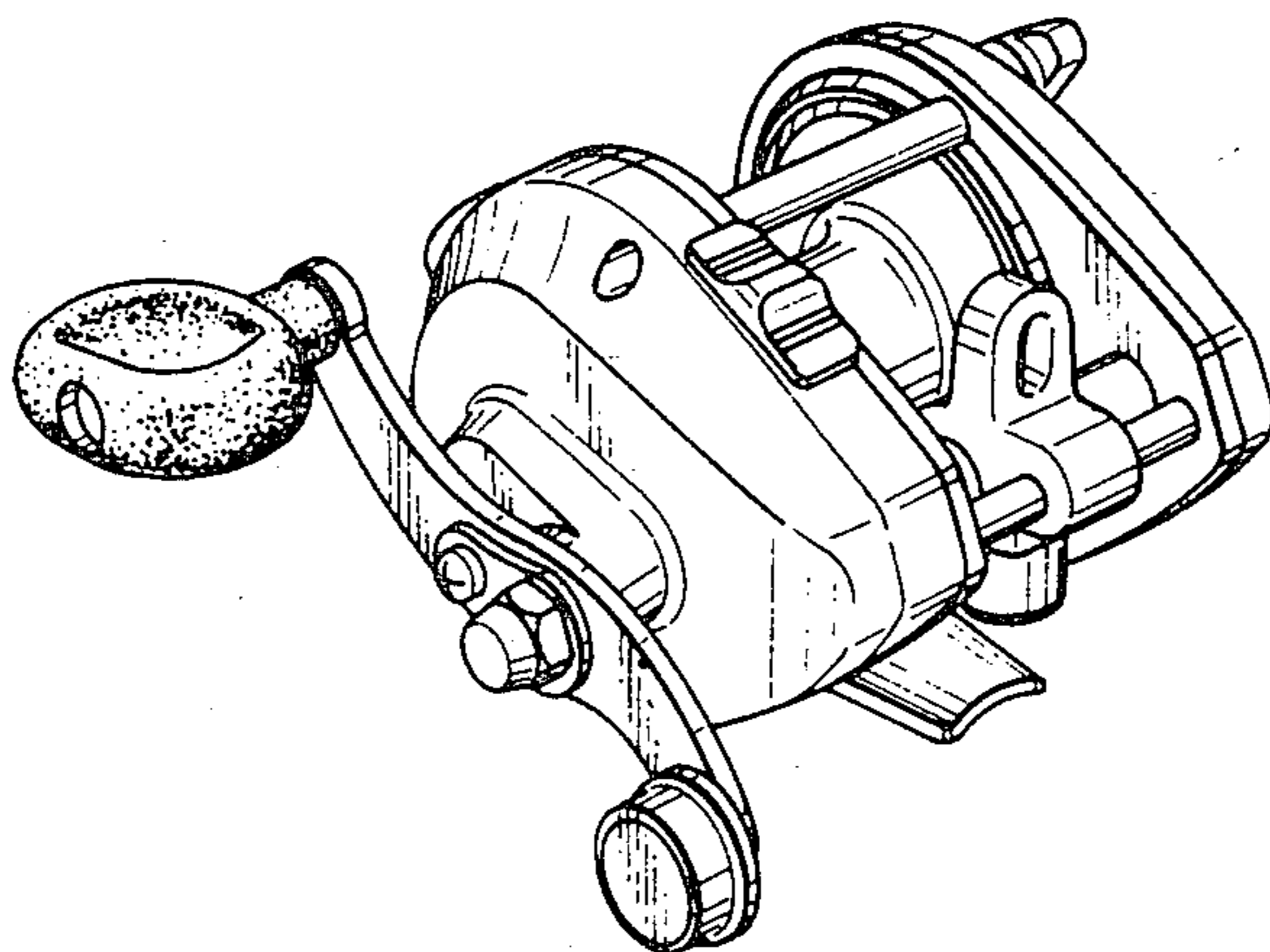


Fig. 2

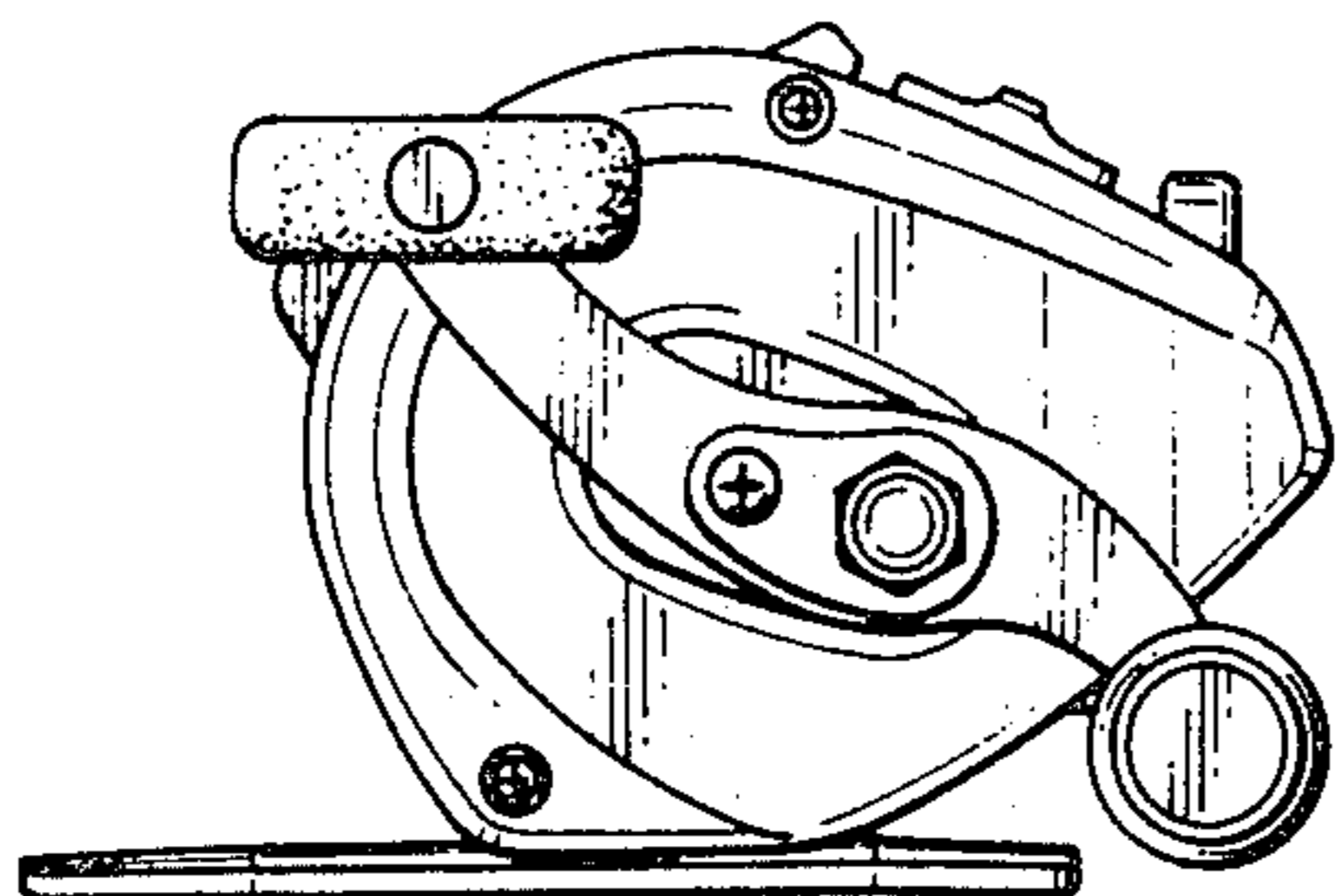


Fig. 3

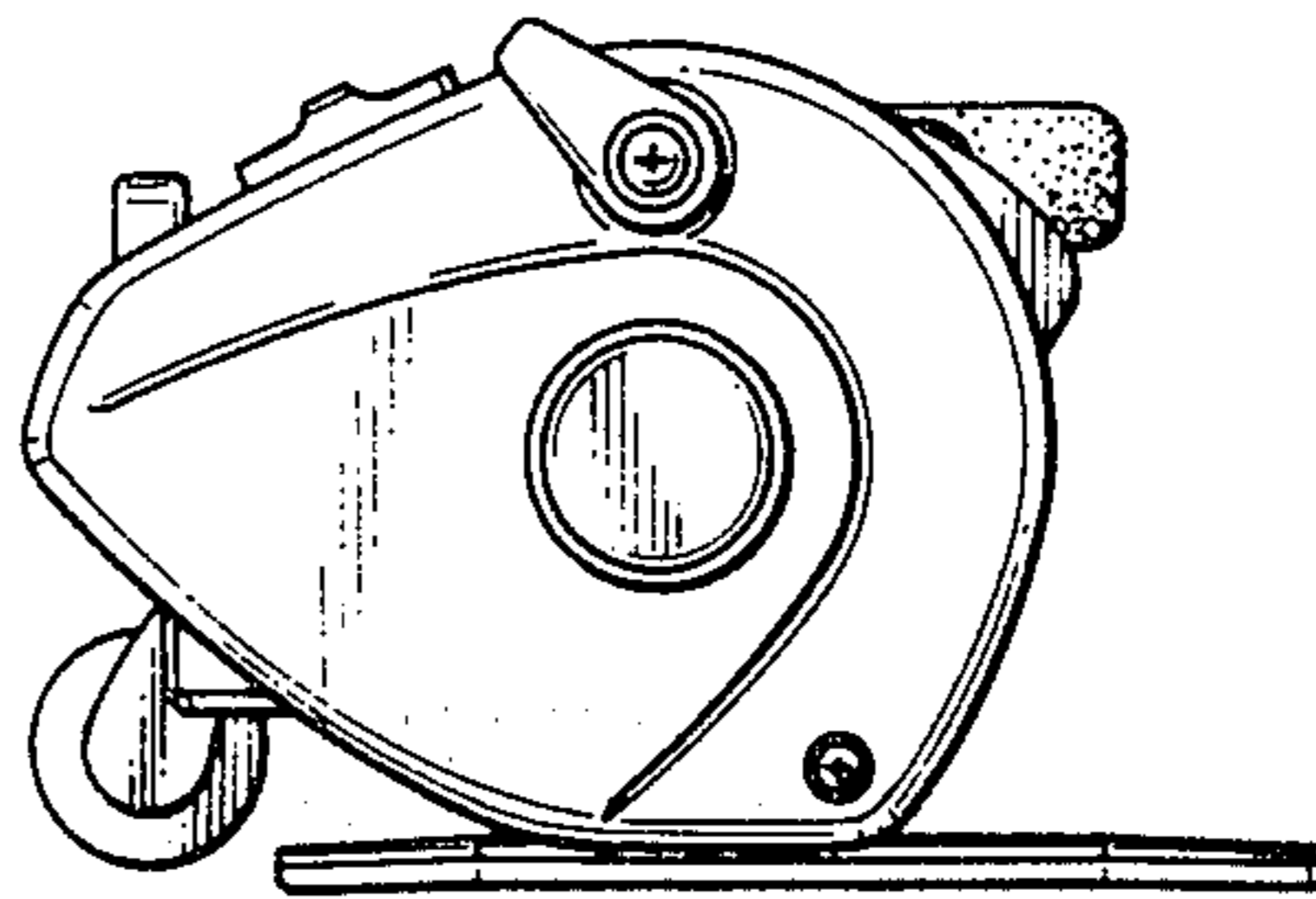


Fig. 4

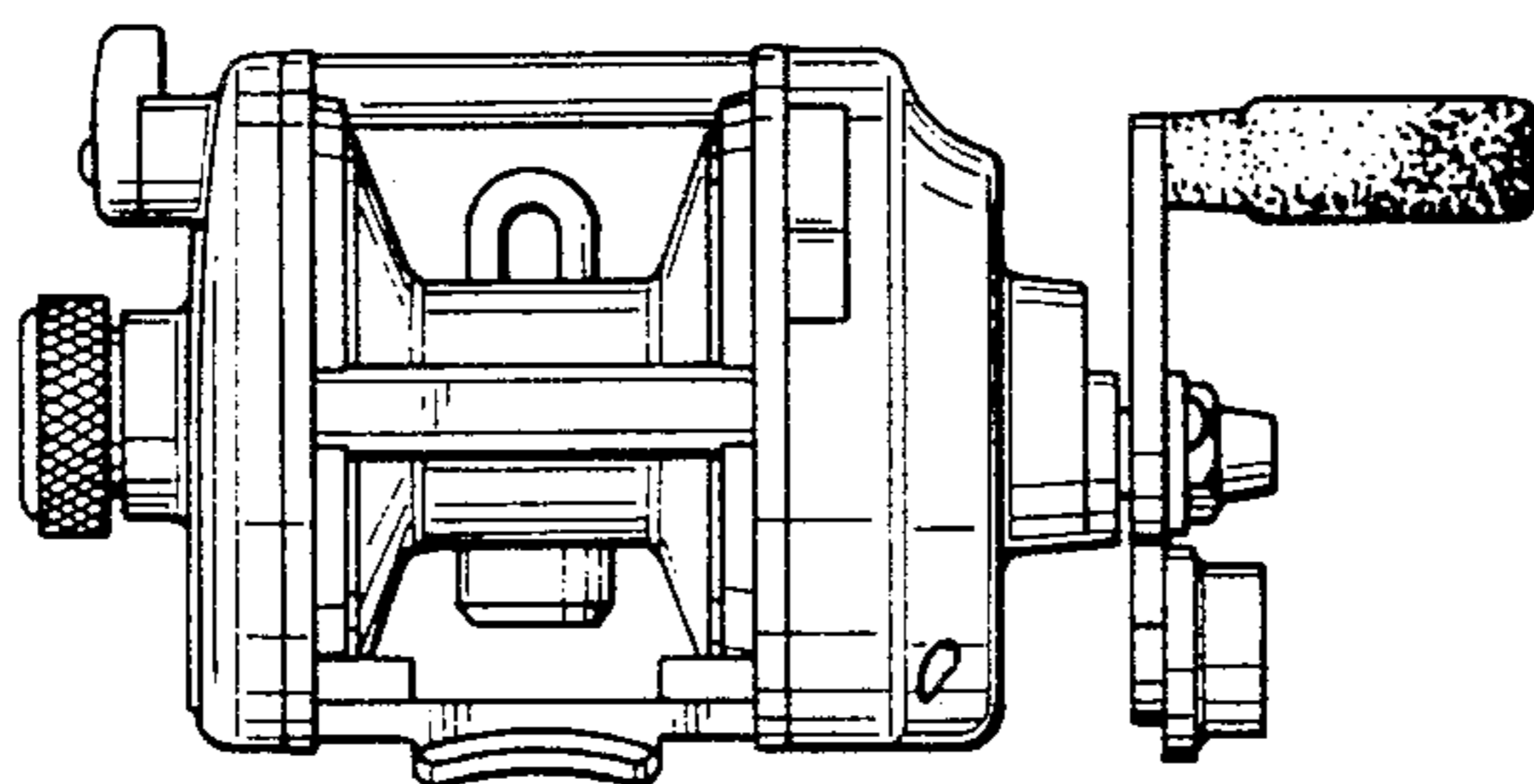


Fig. 5

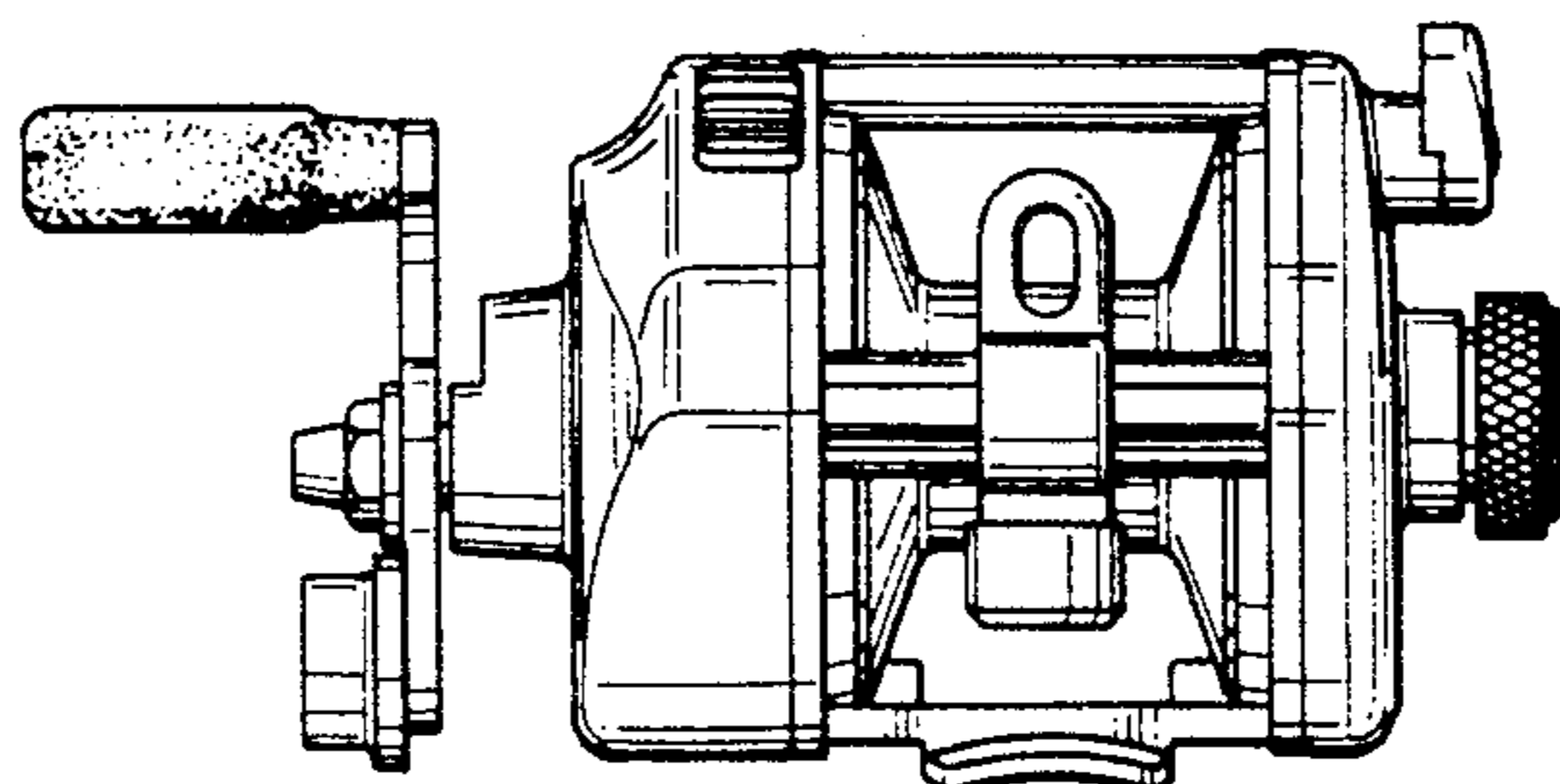


Fig. 6

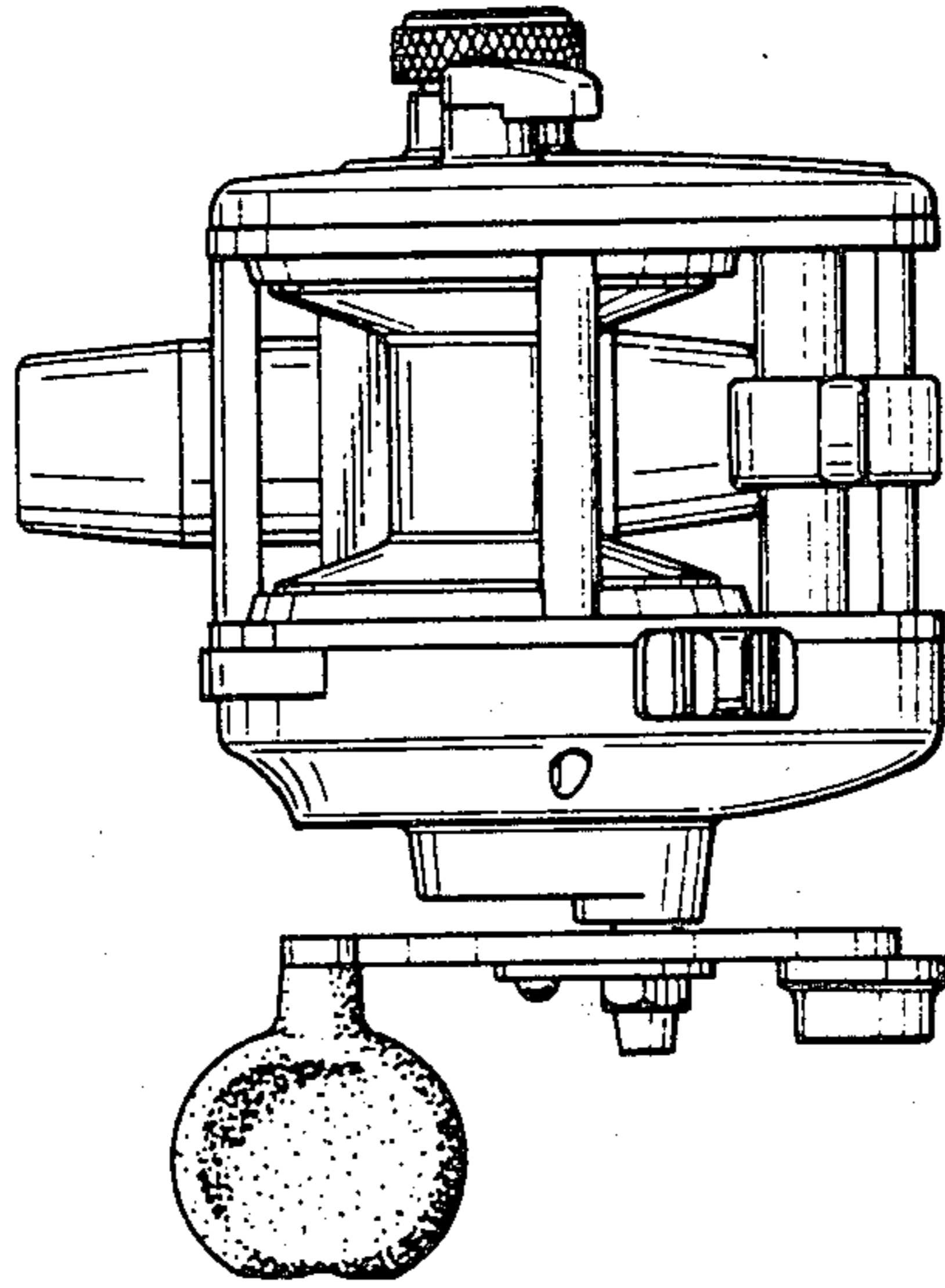


Fig. 7

