

# United States Patent [19]

Kato et al.

[11] Patent Number: **Des. 281,186**

[45] Date of Patent: **\*\* Oct. 29, 1985**

[54] **TOY CONSTRUCTION PIECE**

[75] Inventors: **Yuji Kato**, Tokyo, Japan; **Michael W. Nuttall**, So. Pasadena, Calif.

[73] Assignee: **Tomy Kogyo Company, Incorporated**, Japan

[\*\*] Term: **14 Years**

[21] Appl. No.: **492,625**

[22] Filed: **May 9, 1983**

[52] U.S. Cl. .... **D21/108**

[58] Field of Search ..... **D21/108; D8/382; 446/85, 87, 88, 95, 103, 120, 122, 124, 128**

[56] **References Cited**

**U.S. PATENT DOCUMENTS**

1,216,840 2/1917 Ramsey et al. .... D21/108  
3,374,917 3/1968 Troy ..... D21/108

4,103,774 8/1978 Shingyouchi ..... 446/124

**FOREIGN PATENT DOCUMENTS**

5921972 10/1971 Denmark ..... D21/108

*Primary Examiner*—Charles A. Rademaker  
*Attorney, Agent, or Firm*—K. H. Boswell

[57] **CLAIM**

The ornamental design for a toy construction piece, substantially as shown and described.

**DESCRIPTION**

FIG. 1 is a front elevational view of a toy construction piece showing our new design;  
FIG. 2 is a side elevational view thereof, the side opposite being a mirror image;  
FIG. 3 is a bottom plan view thereof, the top plan being a mirror image; and,  
FIG. 4 is a rear elevational view thereof.

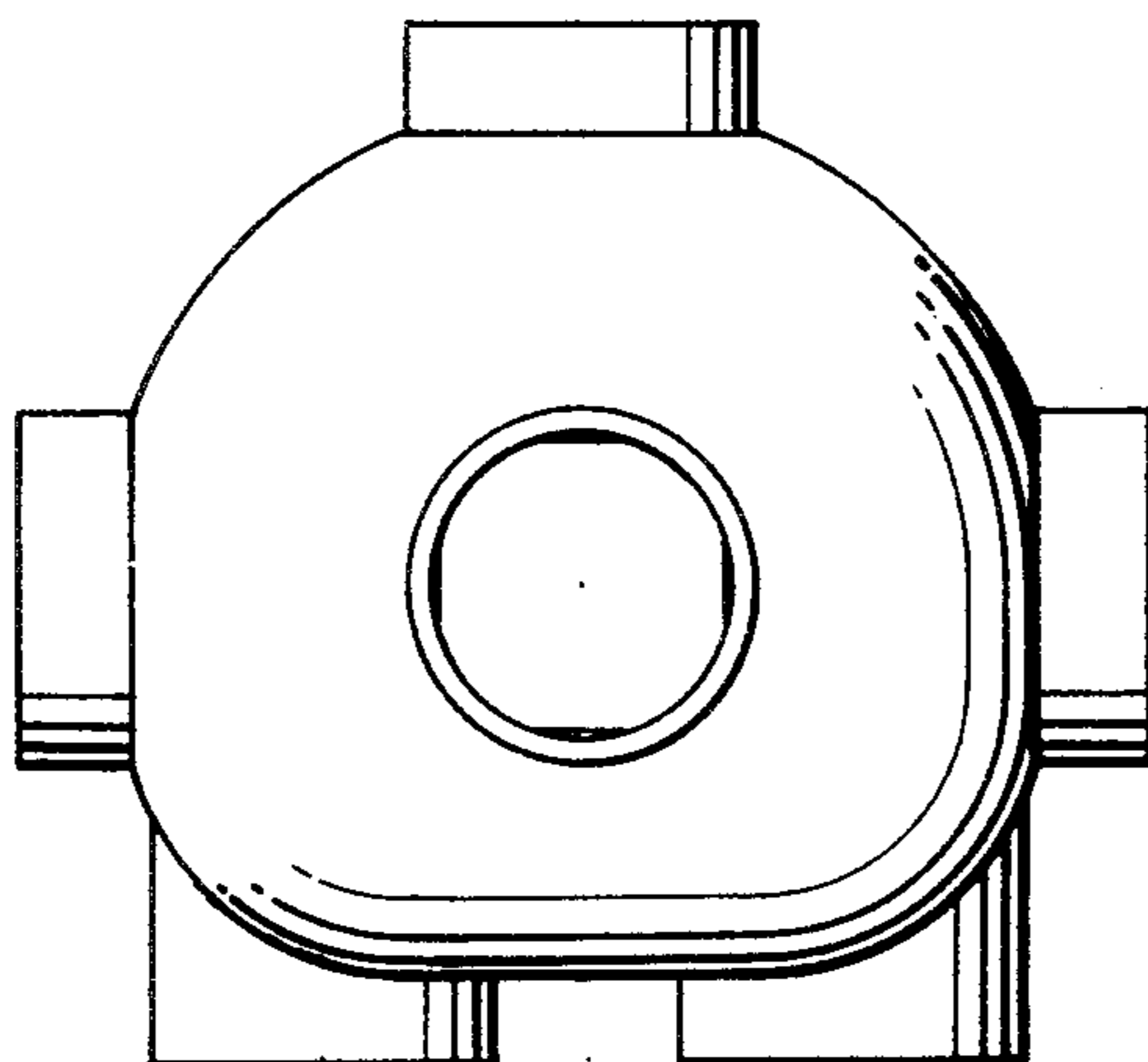


FIG. 1.

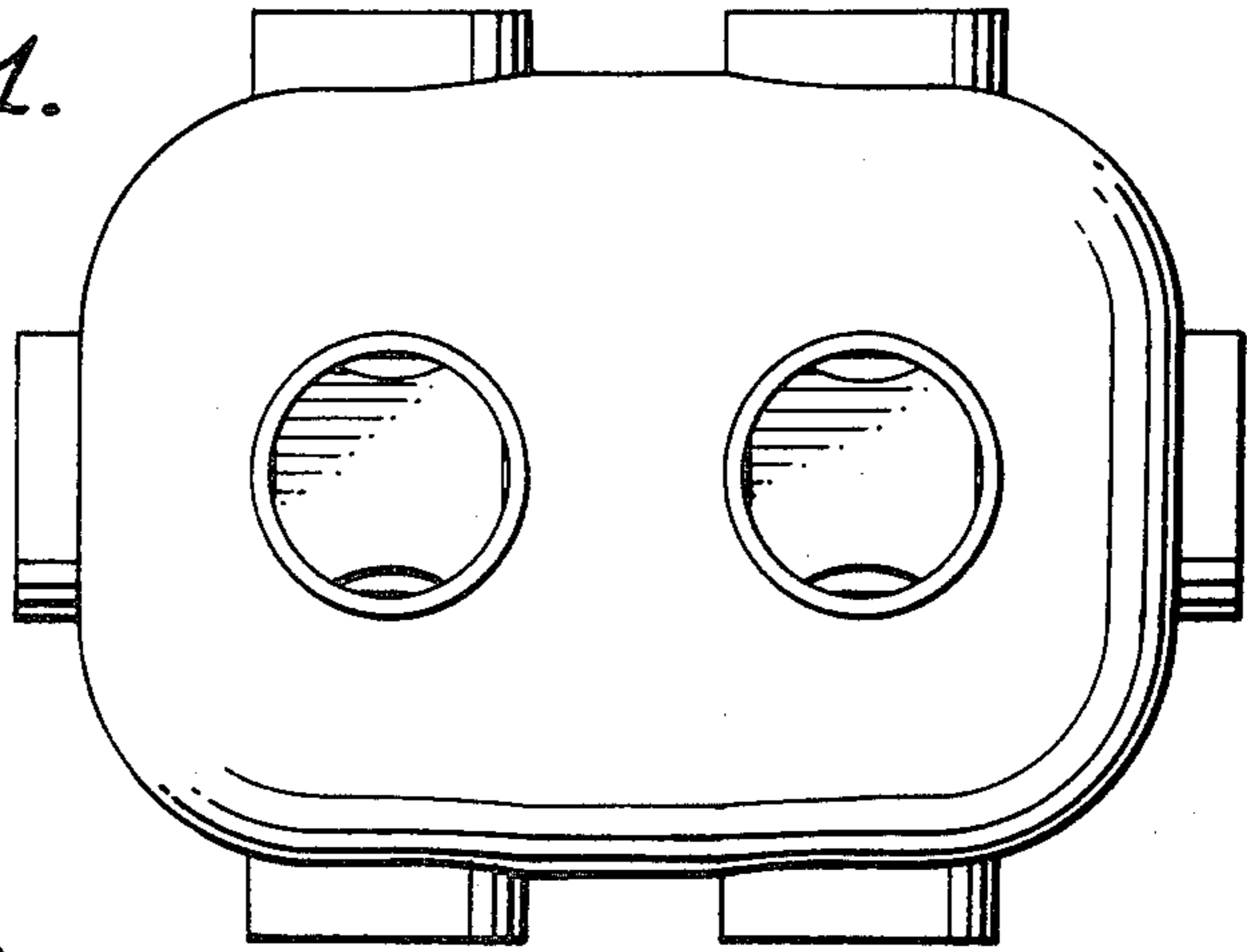


FIG. 2.

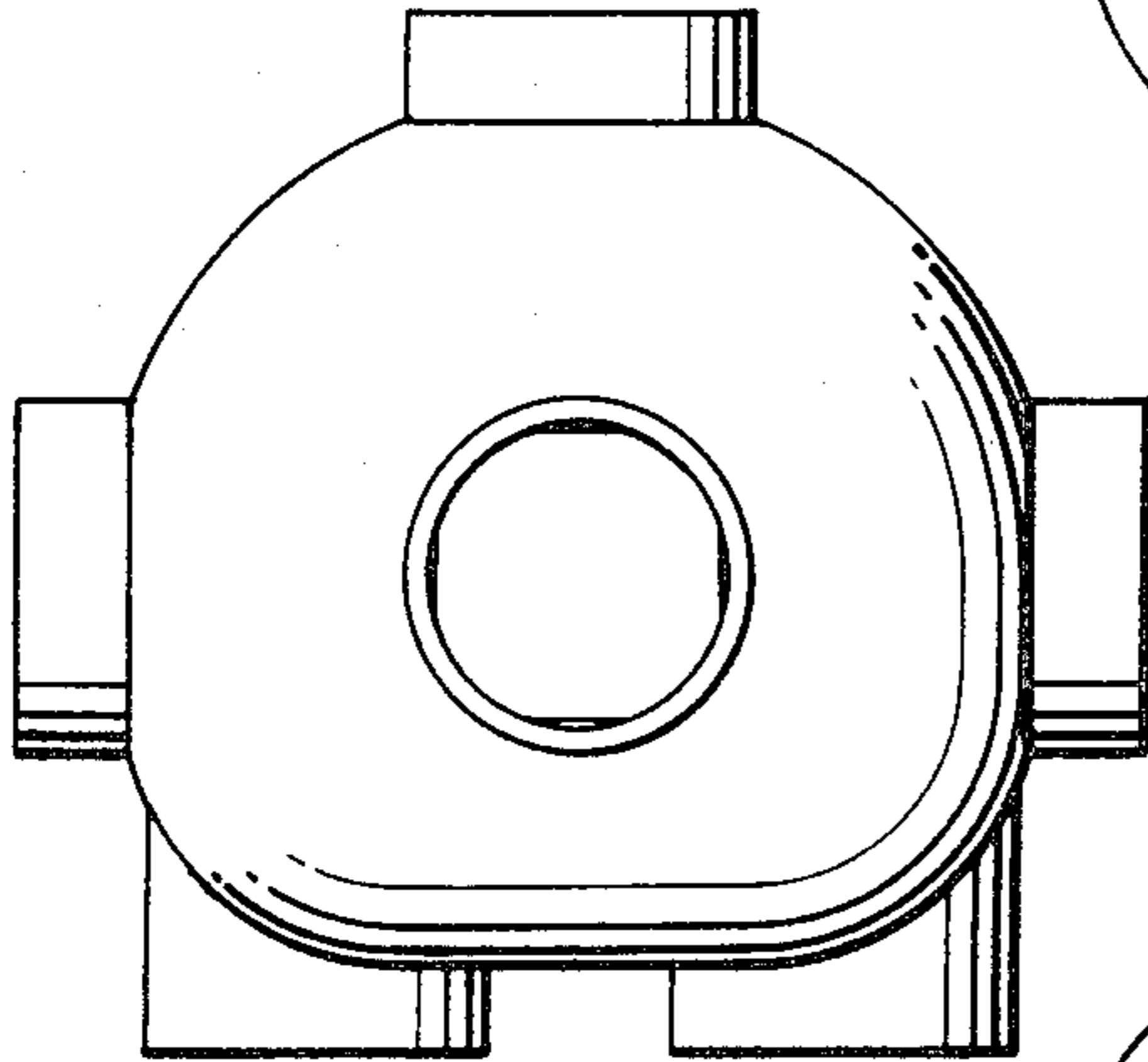


FIG. 3.

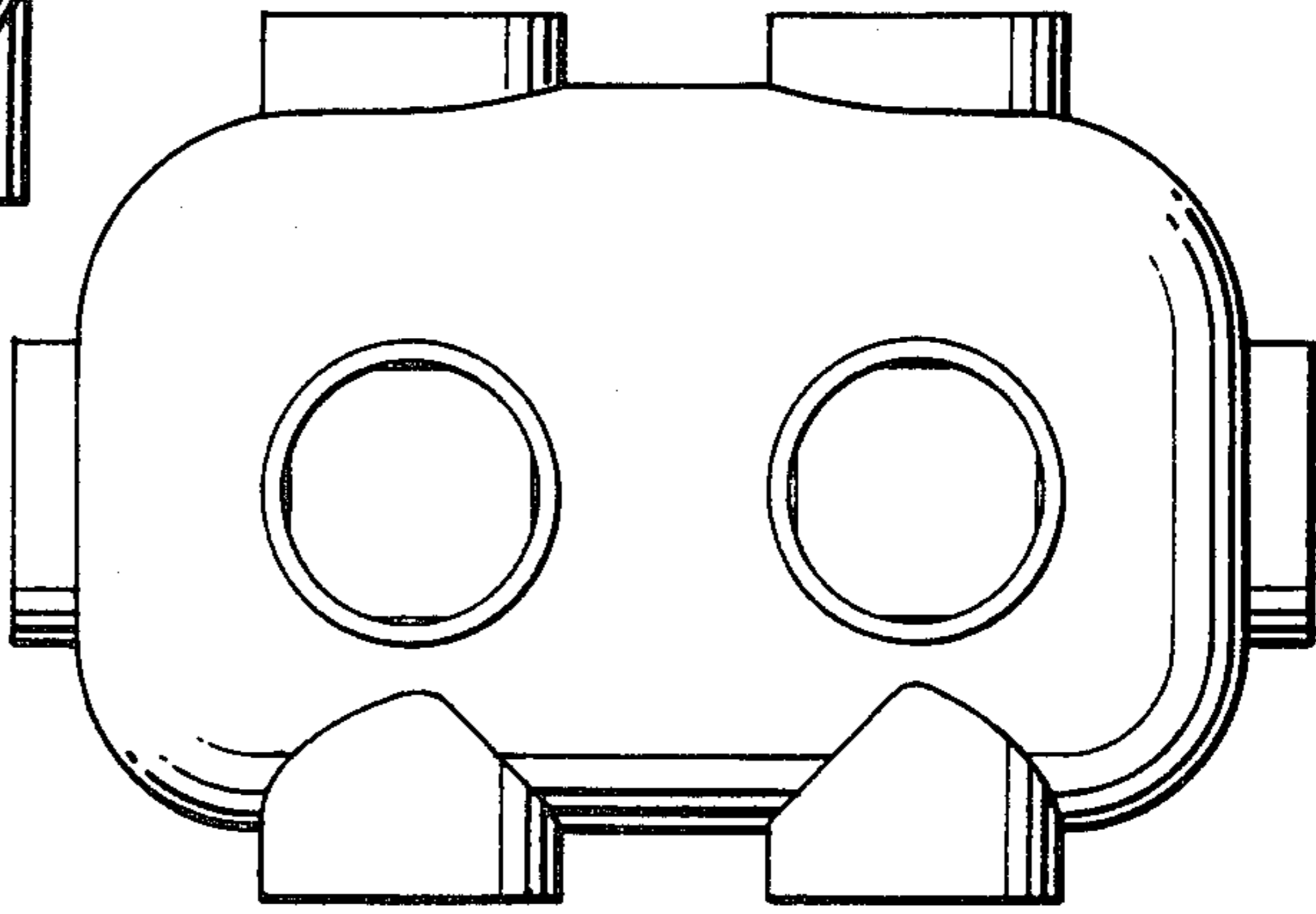


FIG. 4.

