

United States Patent [19]

Kato et al.

[11] Patent Number: **Des. 281,184**

[45] Date of Patent: **** Oct. 29, 1985**

[54] **TOY CONSTRUCTION PIECE**

[75] Inventors: **Yuji Kato**, Tokyo, Japan; **Michael W. Nuttall**, So. Pasadena, Calif.

[73] Assignee: **Tomy Kogyo Company, Incorporated**, Japan

[**] Term: **14 Years**

[21] Appl. No.: **492,621**

[22] Filed: **May 9, 1983**

[52] U.S. Cl. **D21/108**

[58] Field of Search **D21/108; D8/382; 446/85, 87, 88, 95, 103, 120, 122, 124, 128**

[56] **References Cited**

U.S. PATENT DOCUMENTS

D. 272,167 1/1984 Chatani D21/108
3,374,917 3/1968 Troy D21/108

4,103,774 8/1978 Shingyouchi 446/124
4,305,221 12/1981 Chatani 446/124

FOREIGN PATENT DOCUMENTS

5921972 11/1972 Denmark D21/108

Primary Examiner—Charles A. Rademaker
Attorney, Agent, or Firm—K. H. Boswell

[57] **CLAIM**

The ornamental design for a toy construction piece, substantially as shown and described.

DESCRIPTION

FIG. 1 is a side elevational view of a toy construction piece showing our new design, the side opposite being a mirror image;
FIG. 2 is a top plan view thereof, the side opposite being a mirror image;
FIG. 3 is a rear elevational view thereof; and,
FIG. 4 is a front elevational view thereof.

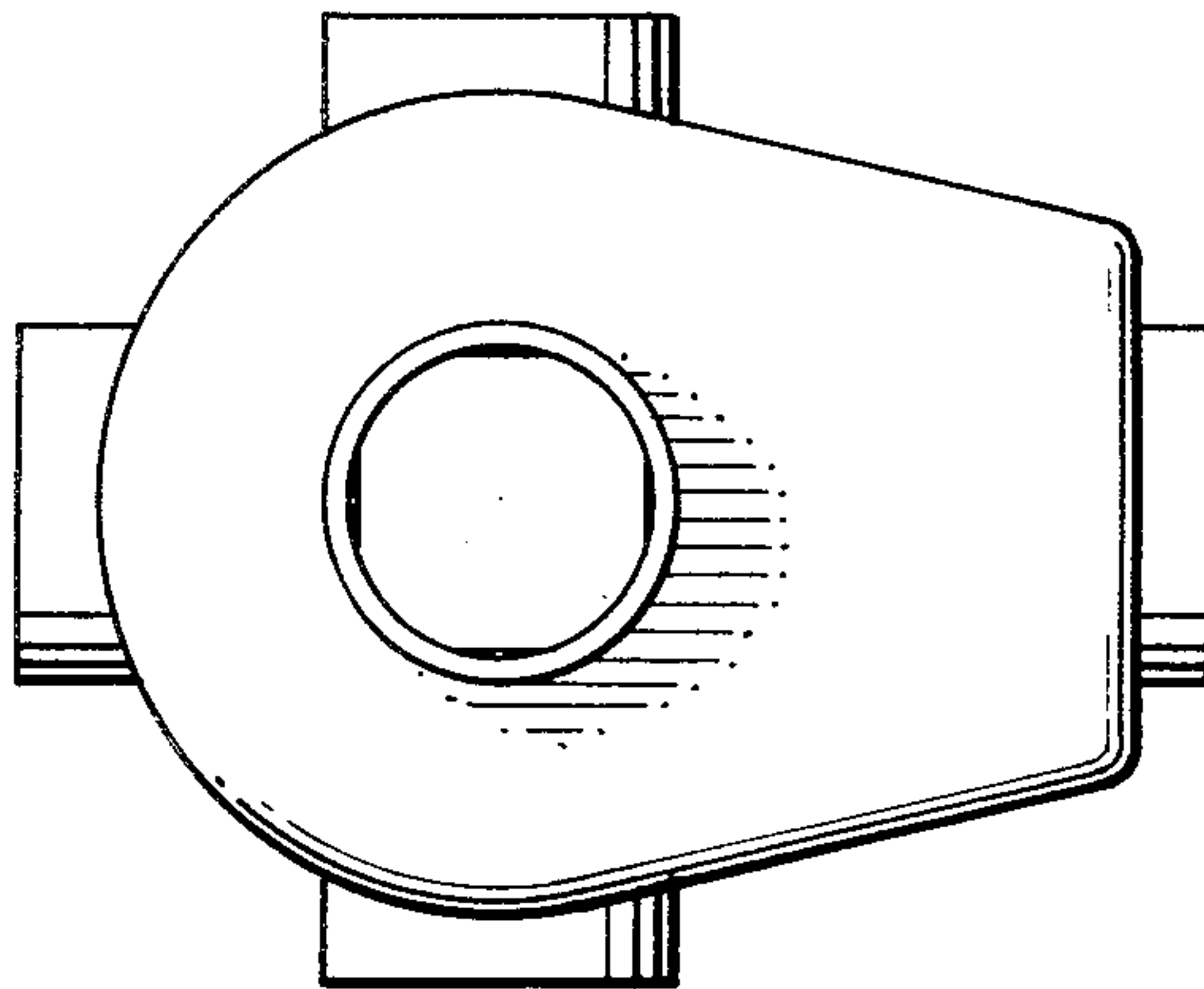


FIG. 1.

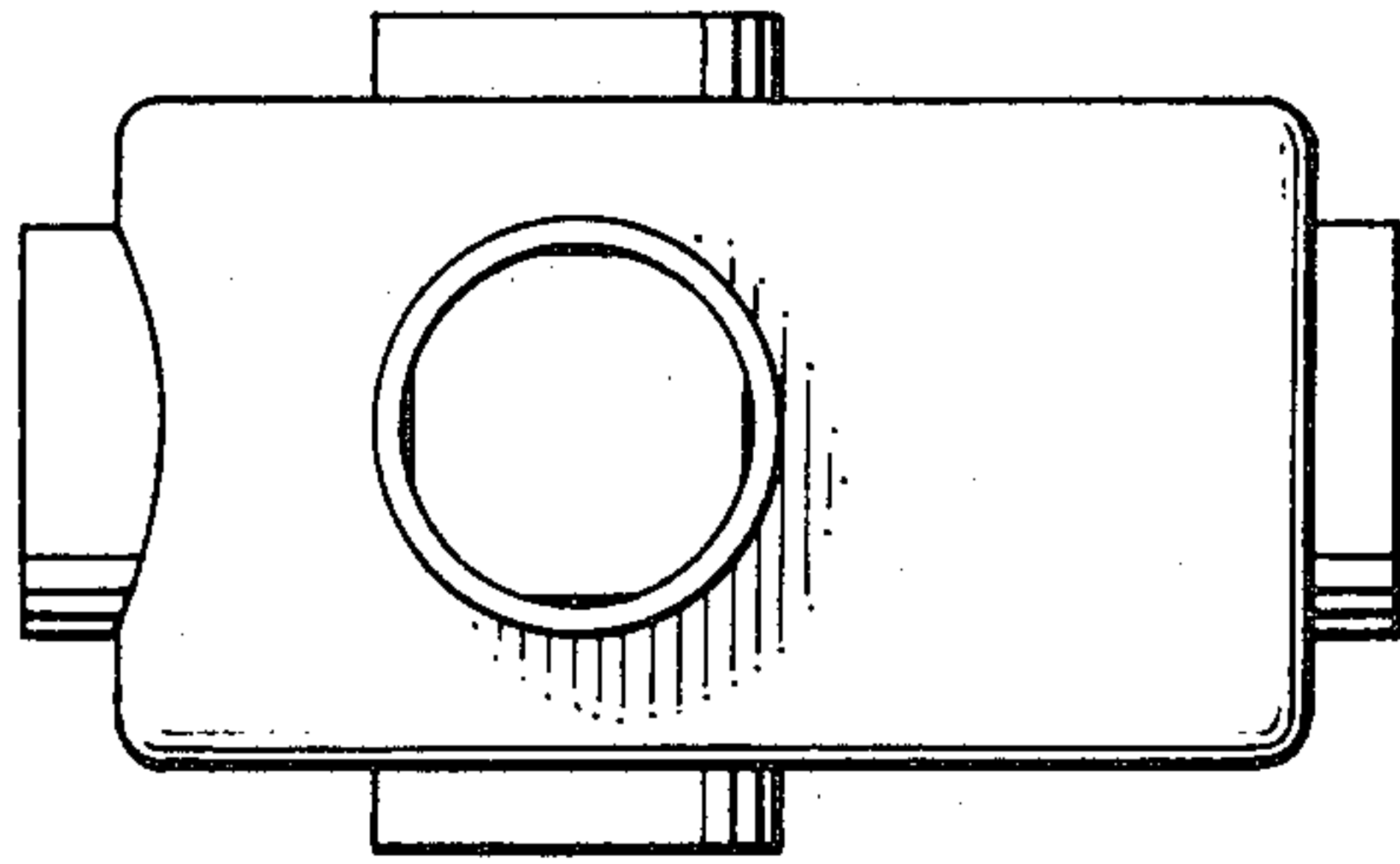


FIG. 3.

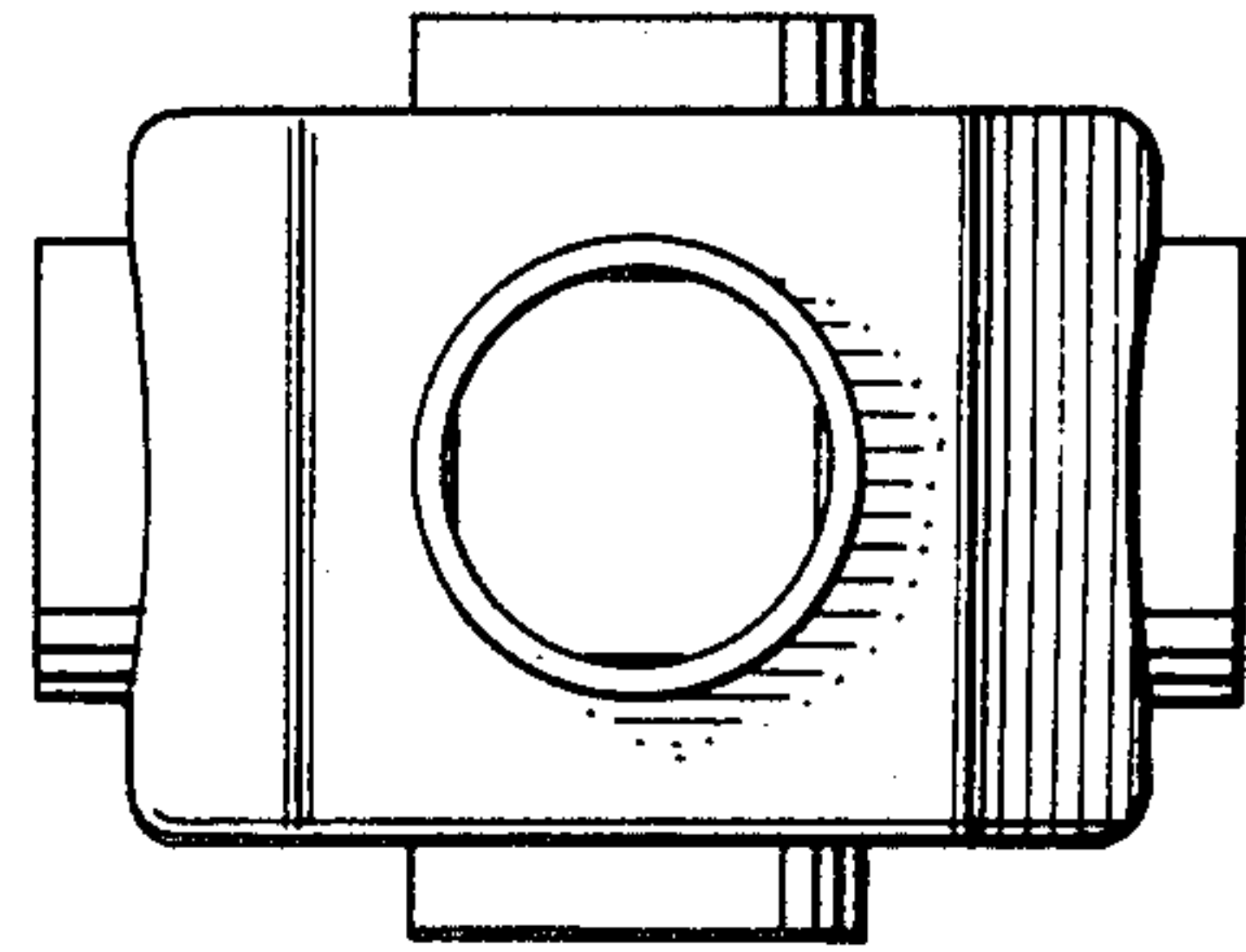


FIG. 2.

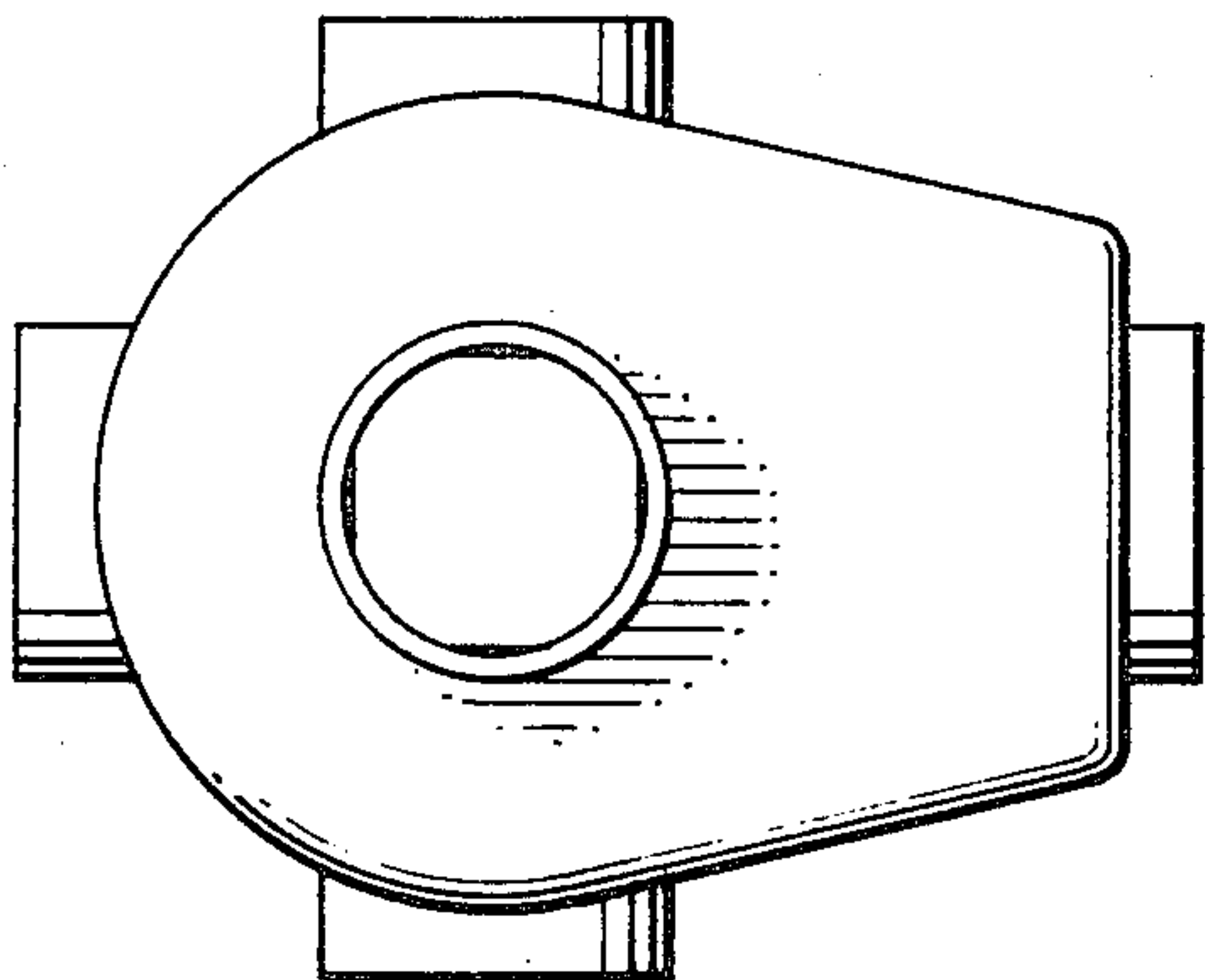


FIG. 4.

