

[54] **TOY CONSTRUCTION PIECE**

[75] **Inventors:** Yuji Kato, Tokyo, Japan; Michael W. Nuttall, So. Pasadena, Calif.

[73] **Assignee:** Tomy Kogyo Company, Incorporated, Japan

[\*\*] **Term:** 14 Years

[21] **Appl. No.:** 492,619

[22] **Filed:** May 9, 1983

[52] **U.S. Cl.** ..... D21/108

[58] **Field of Search** ..... D21/108; 446/85, 87, 446/88, 95, 103, 120, 122, 124, 128; D8/382

[56] **References Cited**

**U.S. PATENT DOCUMENTS**

D. 277,686 2/1985 Chatani ..... D21/108

3,374,917 3/1968 Troy ..... D21/108

**FOREIGN PATENT DOCUMENTS**

464926 4/1914 France ..... 446/126

545995 6/1956 Italy ..... 446/126

*Primary Examiner*—Charles A. Rademaker  
*Attorney, Agent, or Firm*—K. H. Boswell

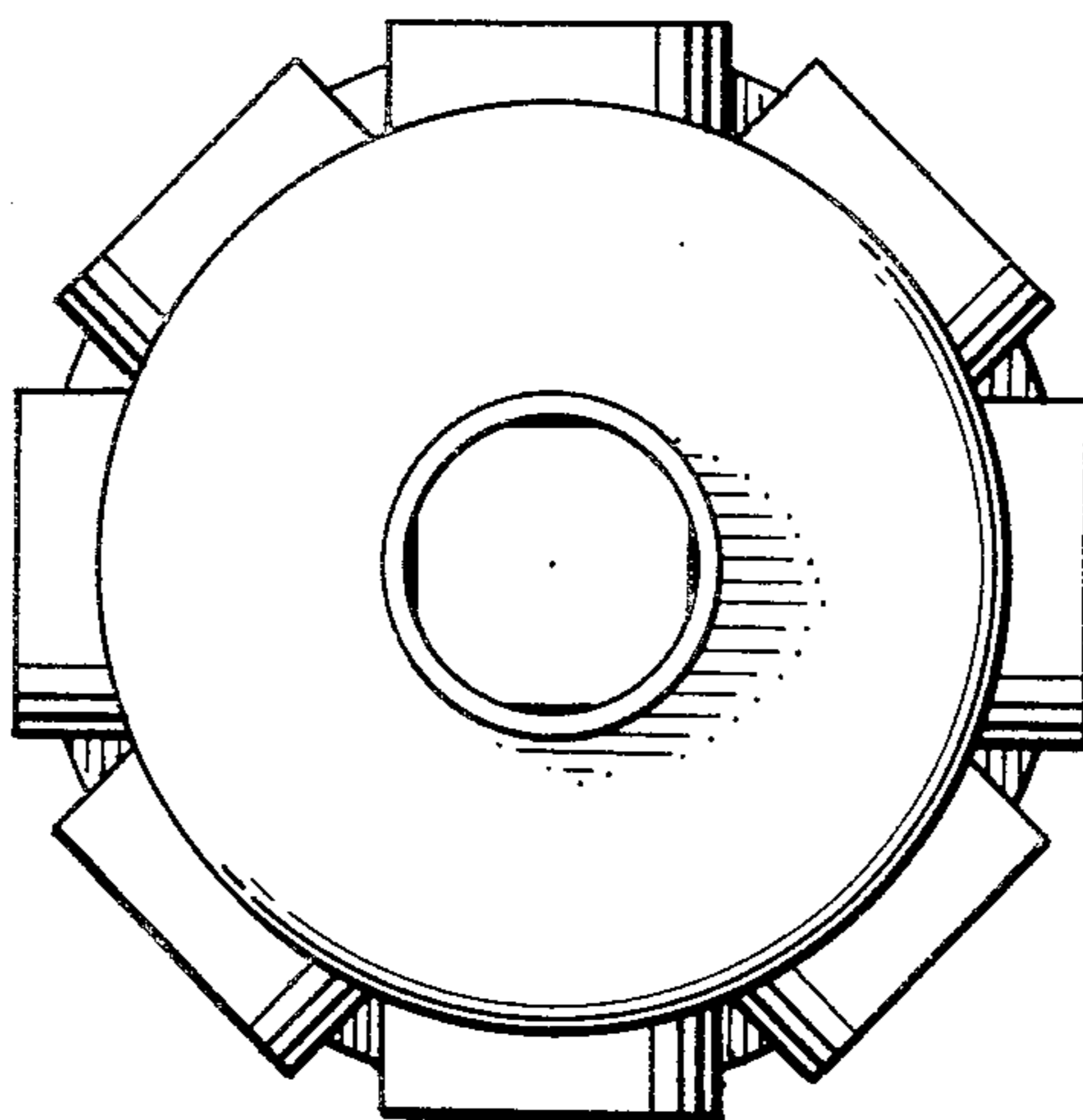
[57] **CLAIM**

The ornamental design for a toy construction piece, substantially as shown and described.

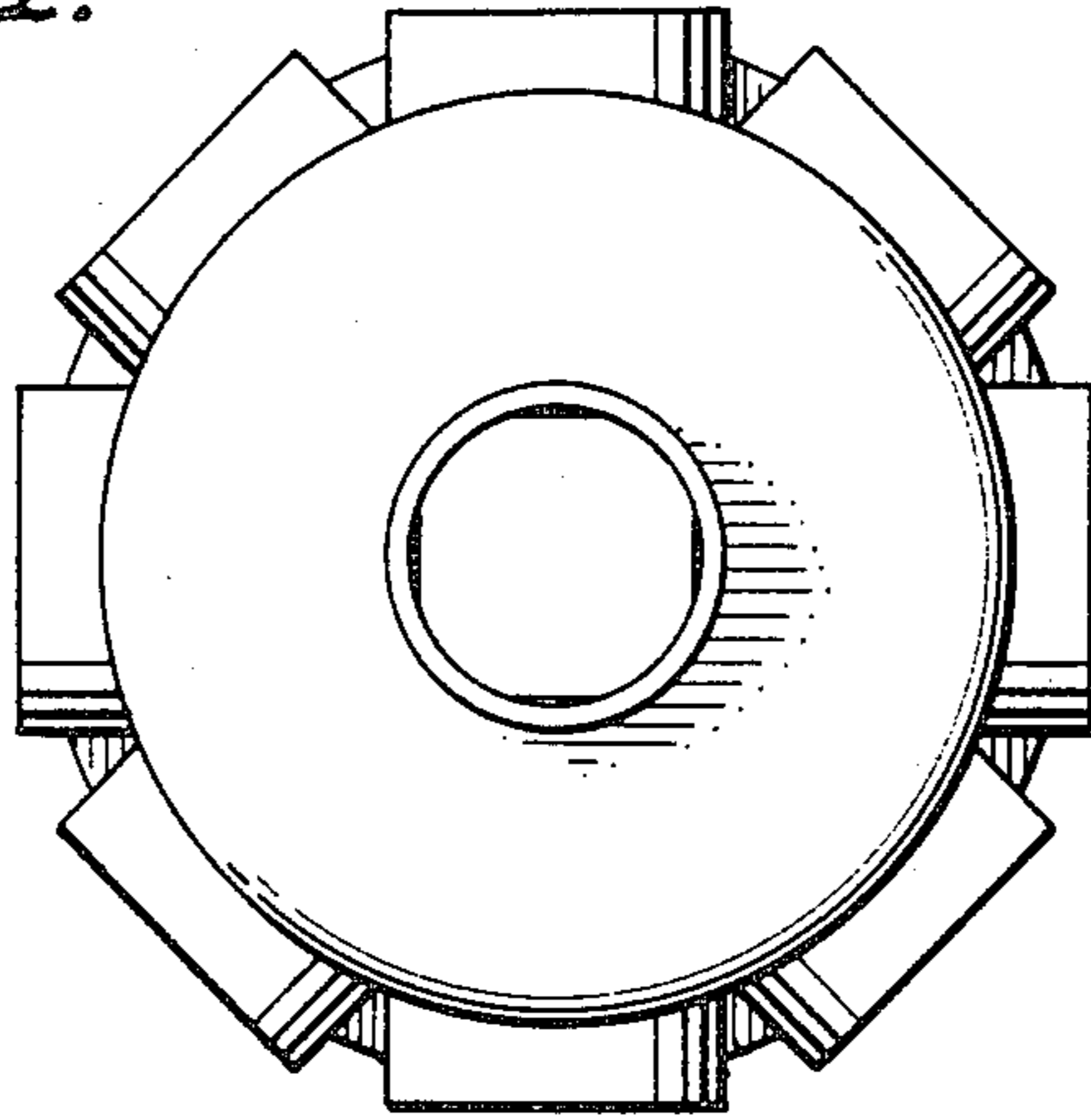
**DESCRIPTION**

FIG. 1 is a side elevational view of a toy construction piece showing our new design, the side opposite being identical; and,

FIG. 2 is a front elevational view thereof, the rear and end elevational views being identical.



*FIG. 1.*



*FIG. 2.*

