

[54] **VIEWING TOY**

[75] **Inventors: Herbert C. Weiland, San Pedro; Shinichi Kanaoki, Torrance, both of Calif.**

[73] **Assignee: Tomy Kogyo Company, Incorporated, Japan**

[**] **Term: 14 Years**

[21] **Appl. No.: 493,971**

[22] **Filed: May 12, 1983**

[52] **U.S. Cl. D21/59; D21/121**

[58] **Field of Search D21/59, 121, 123; D19/40, 59, 62; D6/300-314; 446/478, 482, 491, 227, 147, 151**

[56] **References Cited**

U.S. PATENT DOCUMENTS

D. 225,232 11/1972 Arnold et al. D19/60
D. 260,540 9/1981 Nottingham D21/121
2,634,544 4/1953 Belden D21/121

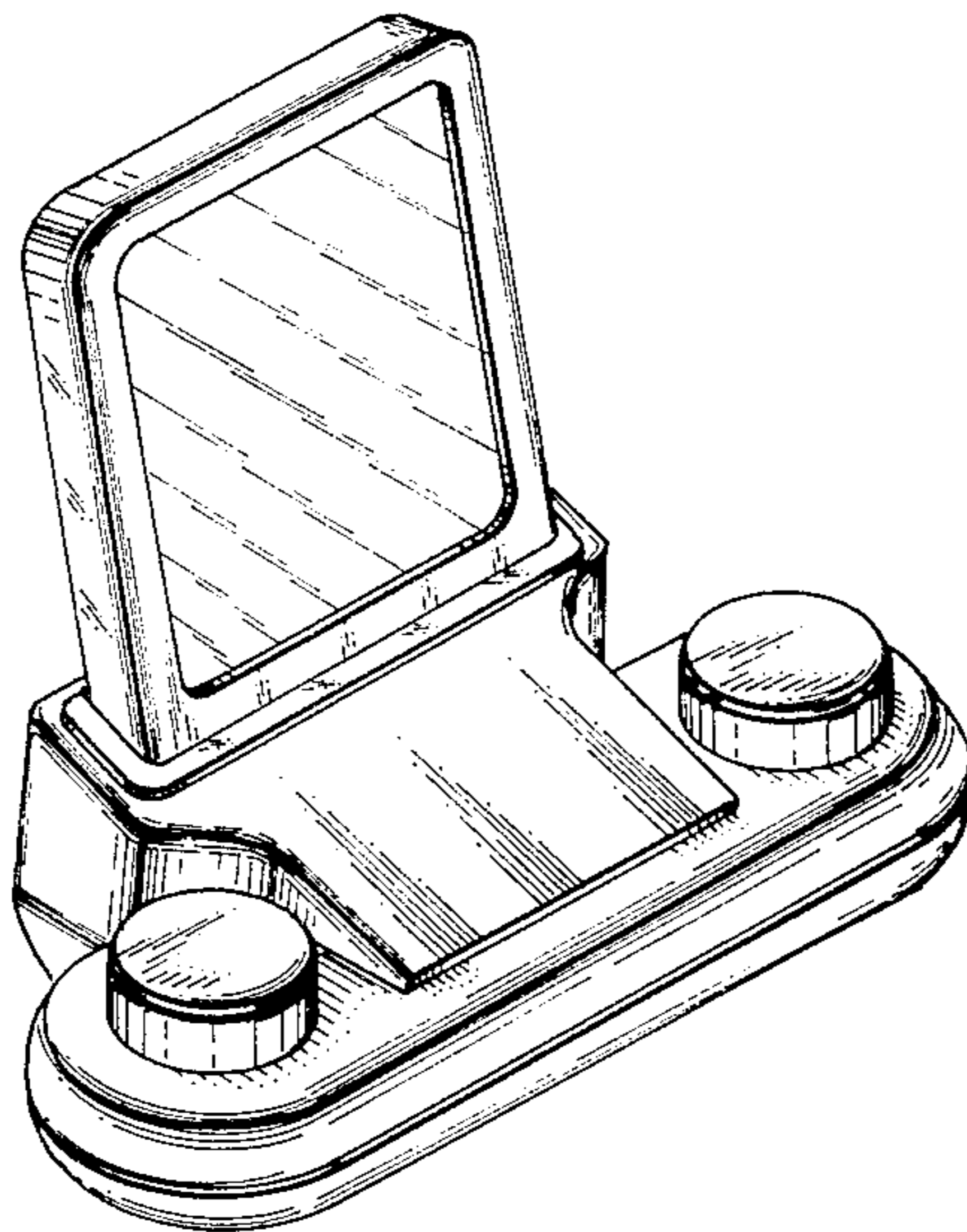
*Primary Examiner—Charles A. Rademaker
Attorney, Agent, or Firm—K. H. Boswell*

[57] **CLAIM**

The ornamental design for a viewing toy, substantially as shown and described.

DESCRIPTION

FIG. 1 is a perspective view of a viewing toy showing our new design;
FIG. 2 is a rear elevational view thereof;
FIG. 3 is a right side elevational view thereof, the side opposite being a mirror image; and
FIG. 4 is a bottom plan view thereof.



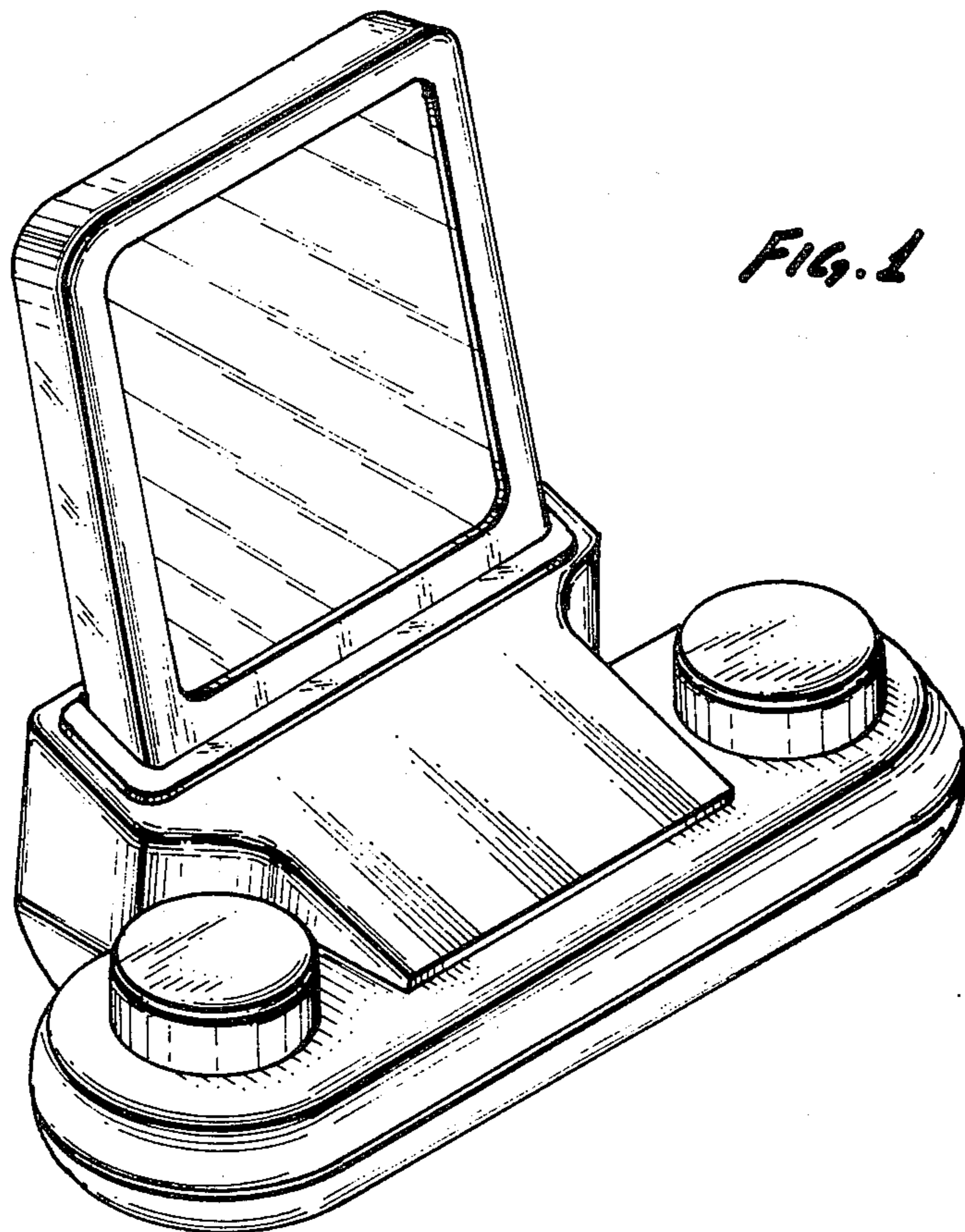


Fig. 1

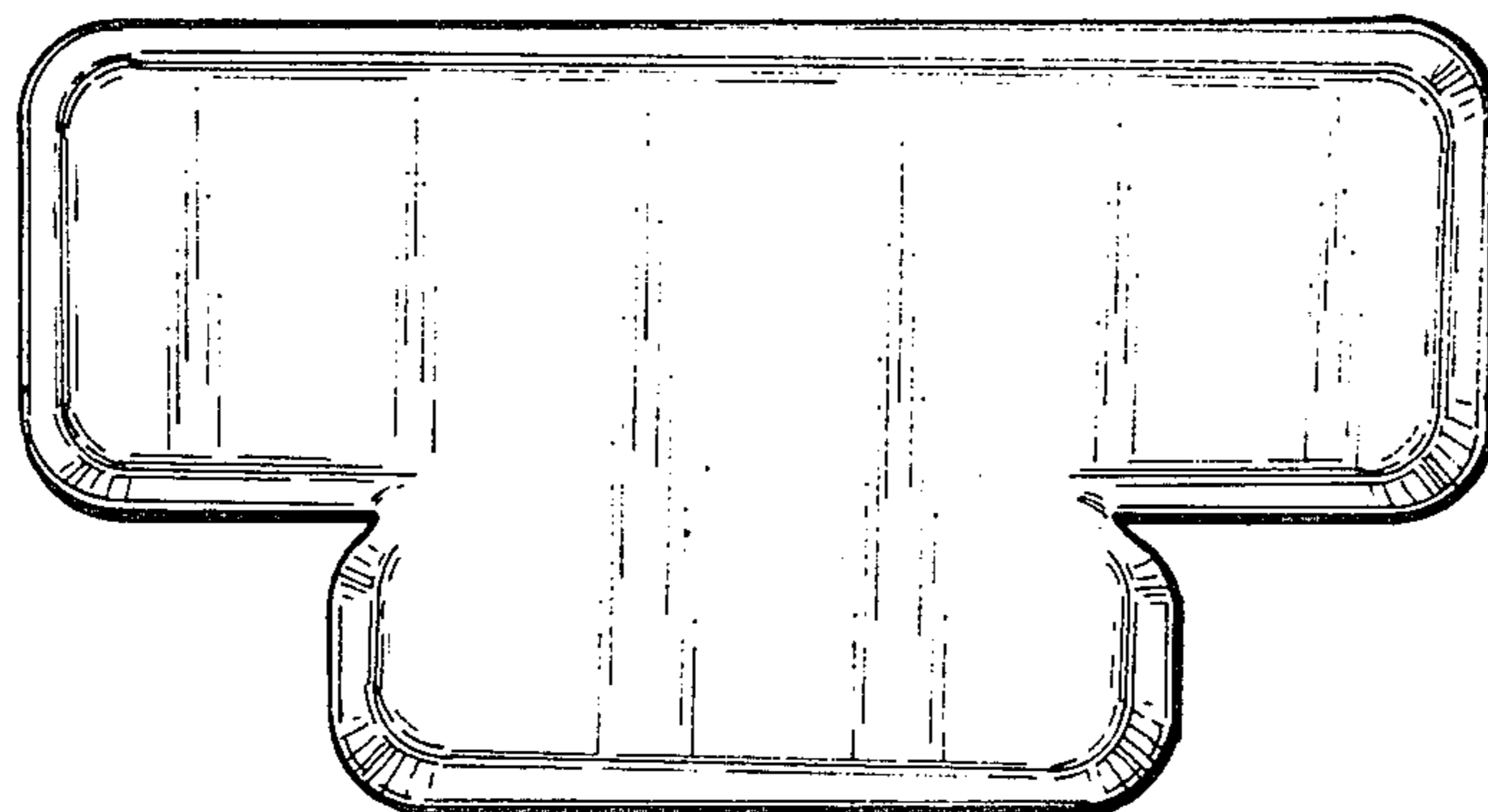


Fig. 4

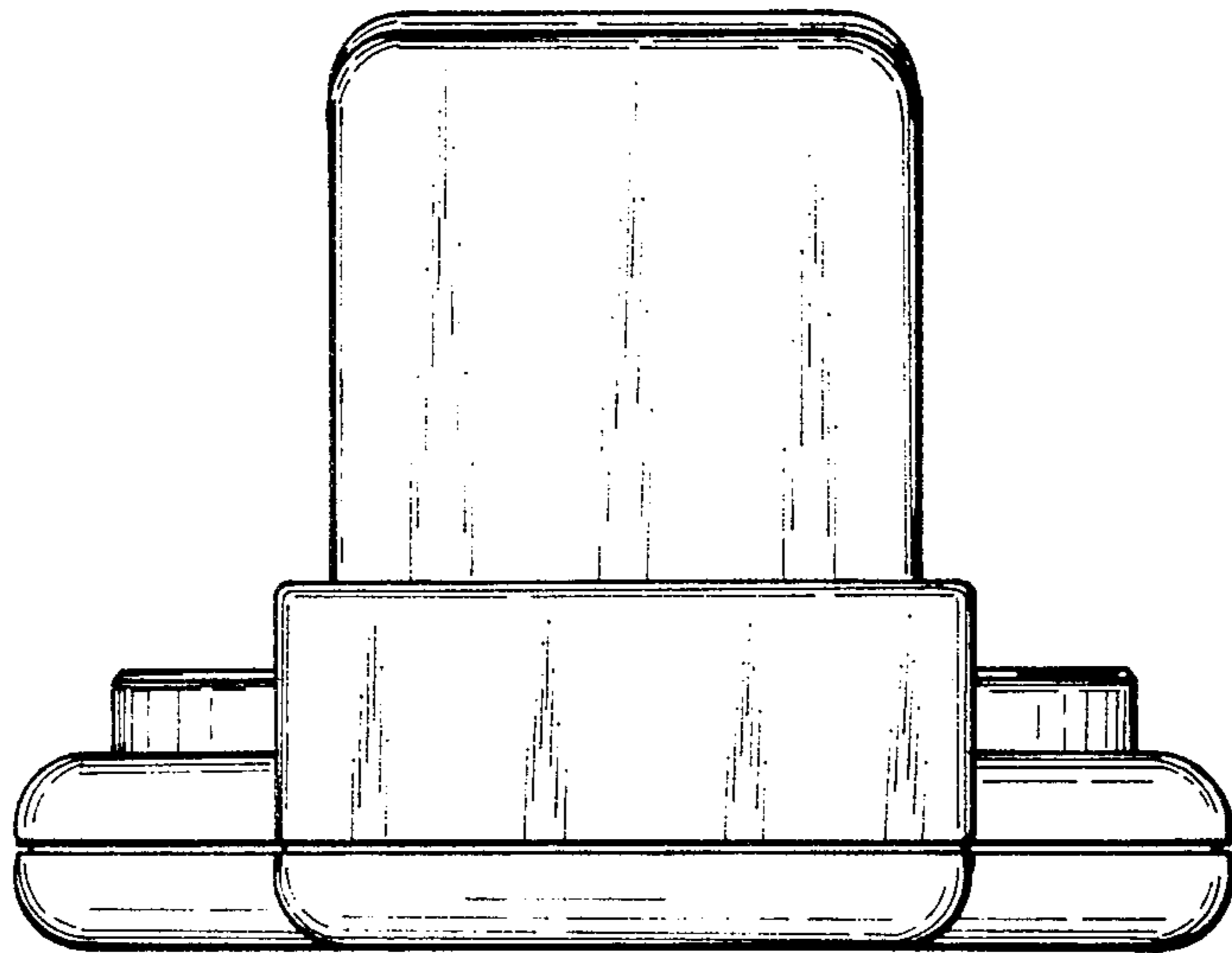


FIG. 2

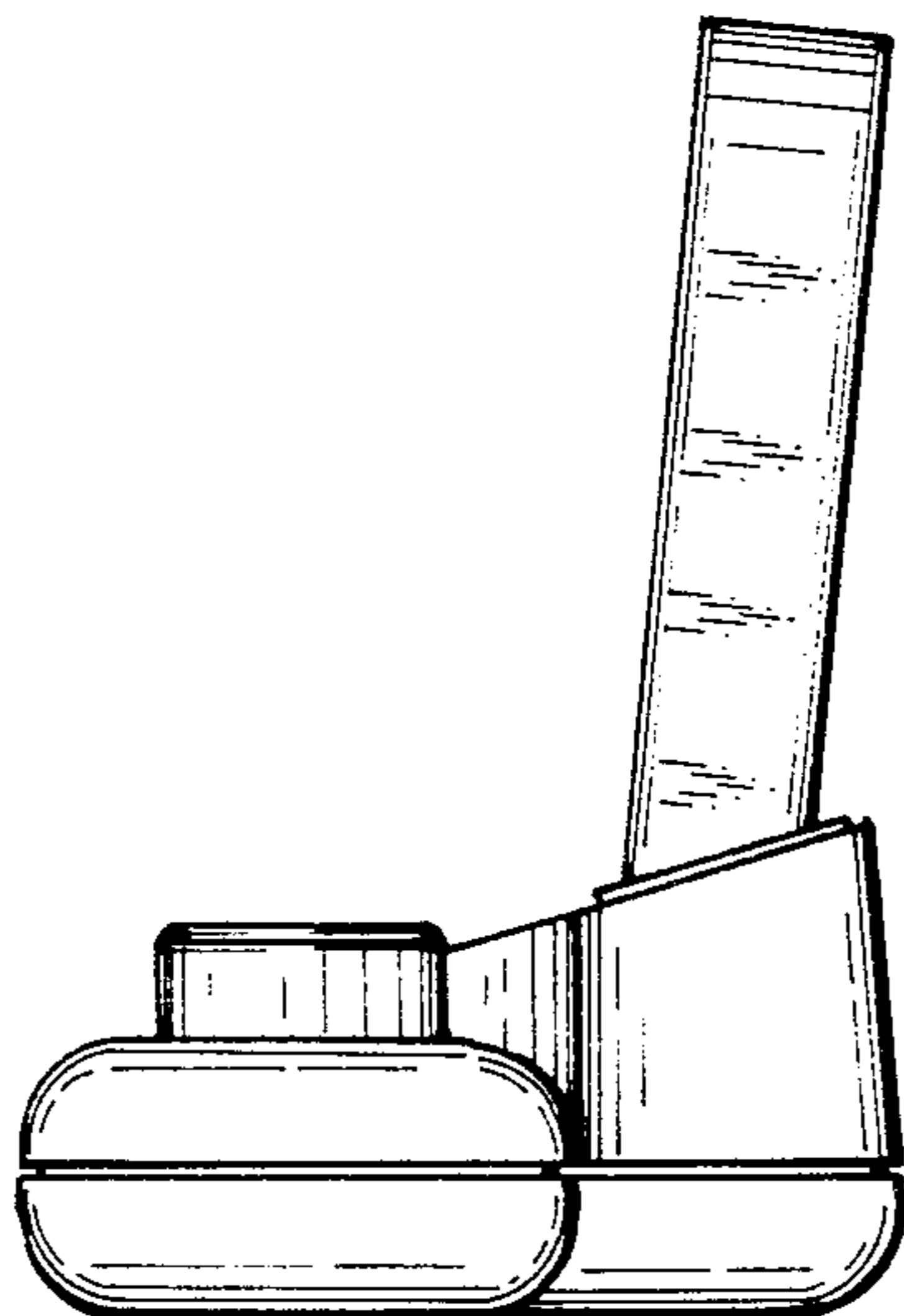


FIG. 3