

[54] MONITOR BOARD FOR PILL-TAKING SCHEDULE

4,318,477 3/1982 Kerpe 206/534
4,429,792 2/1984 Machbitz 206/528 X
4,473,156 9/1984 Martin 206/534

[76] Inventor: Suzanne B. Sukovich, 511 Ellis Pl., South Plainfield, N.J. 07080

Primary Examiner—Catherine E. Kemper
Attorney, Agent, or Firm—Martha G. Pugh

[**] Term: 14 Years

[21] Appl. No.: 559,361

[57] CLAIM

[22] Filed: Dec. 8, 1983

The ornamental design for a monitor board for pill-taking schedule, as shown and described.

[52] U.S. Cl. D20/18; D20/42; D9/341

DESCRIPTION

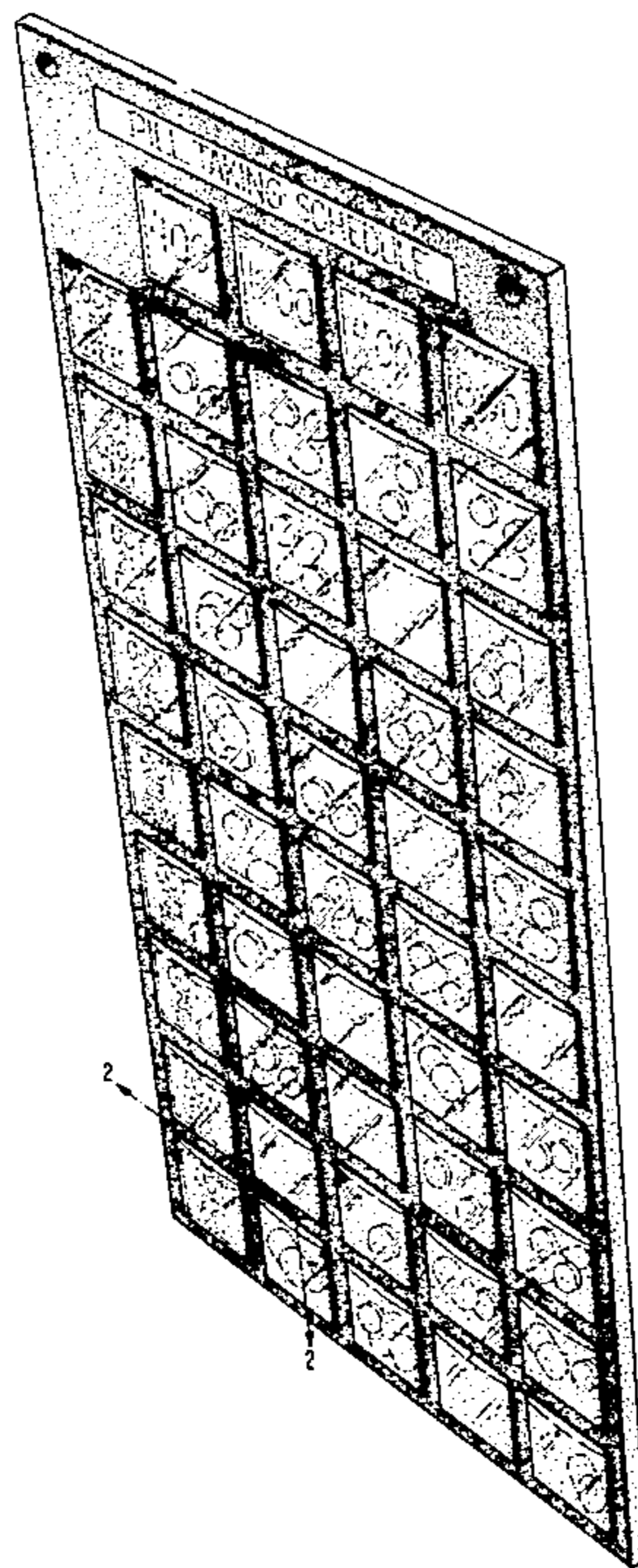
[58] Field of Search 206/528, 530, 531, 532, 206/534, 534.1, 534.2, 538, 539, 828; 116/308; D20/18, 42; D9/341, 457; D3/30, 74

FIG. 1 is a right front perspective view of a monitor board for pill taking schedule, showing my new design; FIG. 2 is a sectional view taken along line 2—2 of FIG. 1, shown with the left envelope partially open; FIG. 3 is a sectional view through the center of one of the envelopes with the upper flap completely unfolded. The rear side and left and bottom edges are plain and unornamented. The broken line disclosure of the pills and indicia is for illustrative purposes only and forms no part of the claimed design.

[56] References Cited

U.S. PATENT DOCUMENTS

3,225,913 12/1965 Lee 206/534
4,039,080 8/1977 Cappuccilli 206/538 X
4,148,273 4/1979 Hollingsworth et al. 206/534 X
4,295,567 10/1981 Knudsen 206/534



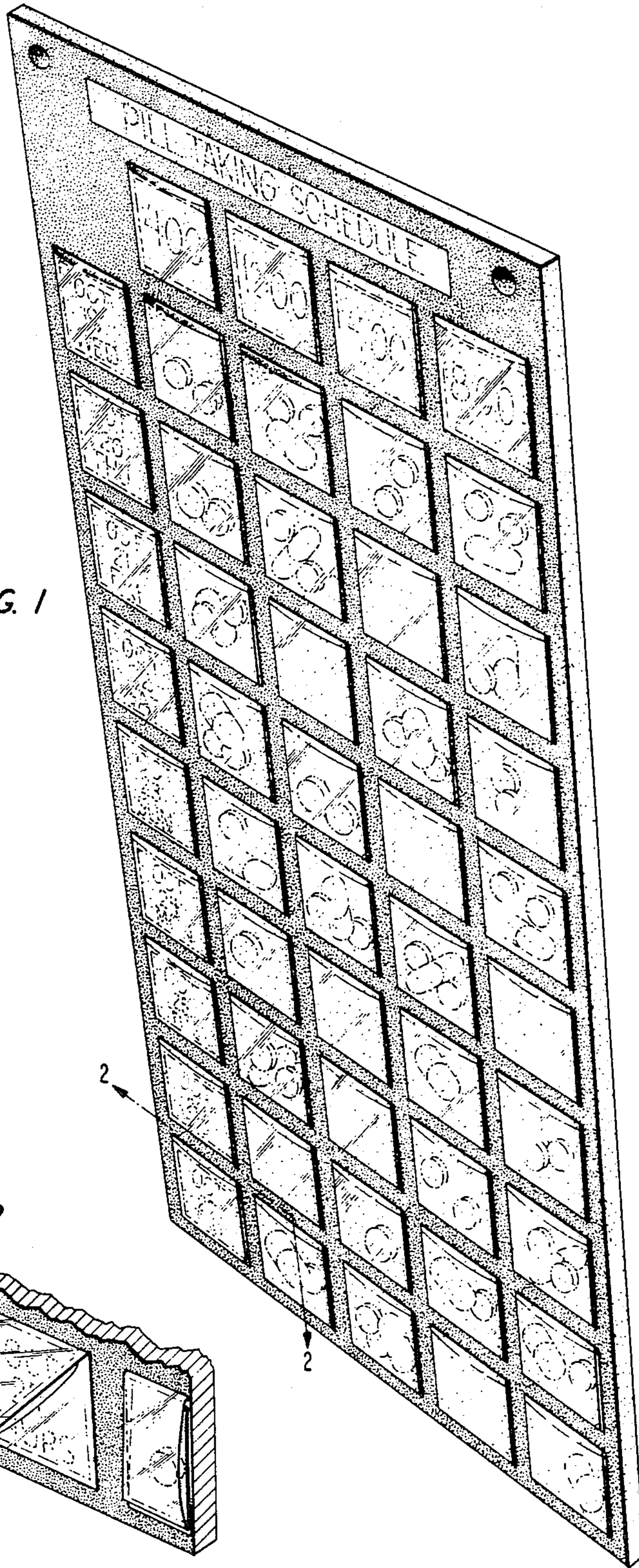


FIG. 1

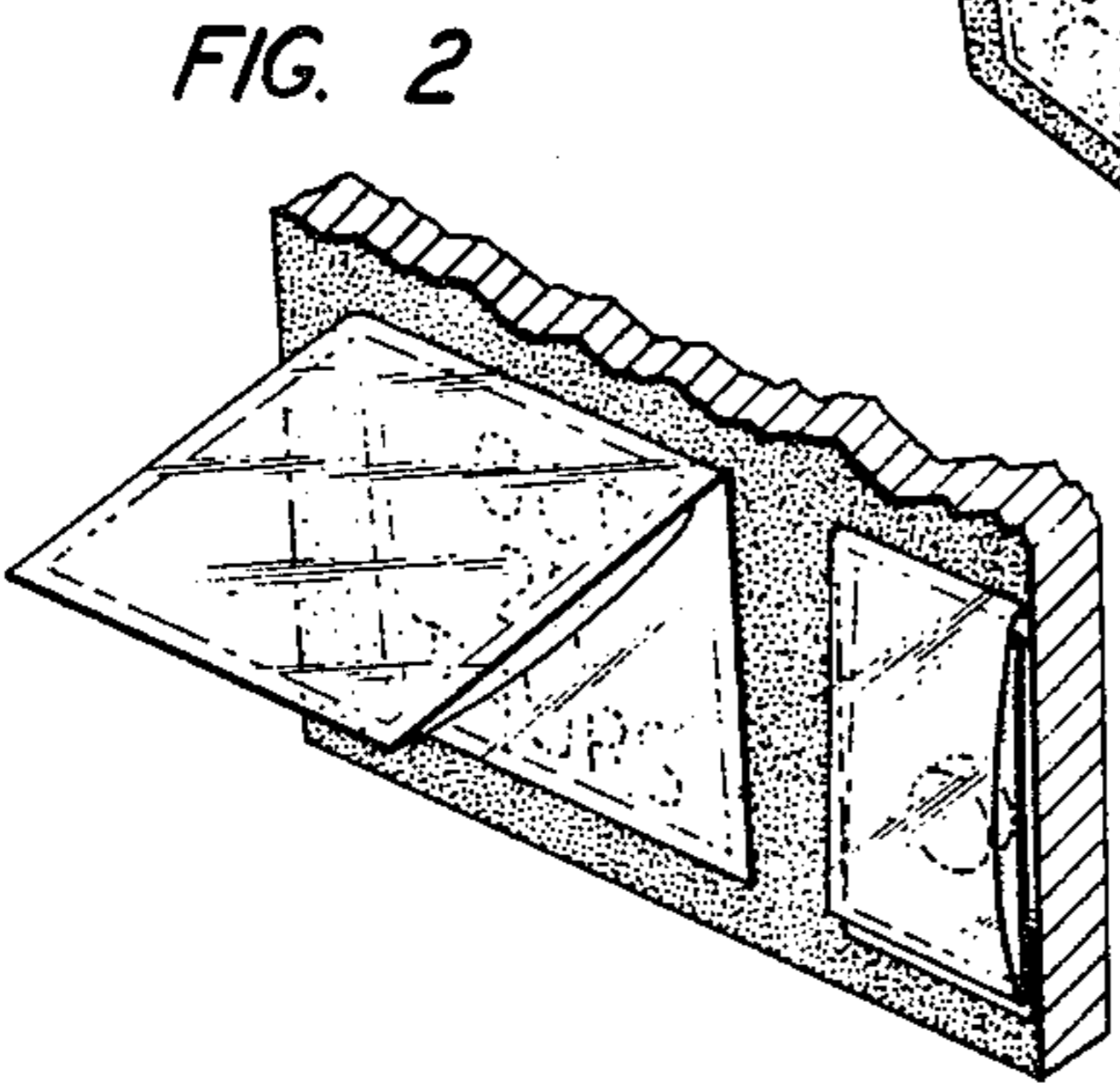


FIG. 2

FIG. 3

