

[54] FILTER FOR A COMPUTER DISK DRIVE ASSEMBLY

2,269,461 1/1942 Lehmberg 128/206.15
4,038,979 8/1977 McCosker 128/206.12
4,308,041 12/1981 Ellis et al. 360/97
4,489,356 12/1984 Farmer 360/97

[75] Inventor: Edgar A. Robinson, Bloomington, Minn.

FOREIGN PATENT DOCUMENTS

[73] Assignee: Donaldson Company, Inc., Minneapolis, Minn.

2024495 1/1980 United Kingdom 360/97

[**] Term: 14 Years

Primary Examiner—James M. Gandy
Attorney, Agent, or Firm—Merchant, Gould, Smith, Edell, Welter & Schmidt

[21] Appl. No.: 420,397

[57] CLAIM

[22] Filed: Sep. 20, 1982

The ornamental design for a filter for a computer disk drive assembly, as shown and described.

[52] U.S. Cl. D14/109; D29/99

[58] Field of Search D29/6, 7, 8, 99;
128/201.19, 201.23, 206.17, 206.12, 206.15;
D14/109; 360/132, 134, 97, 99

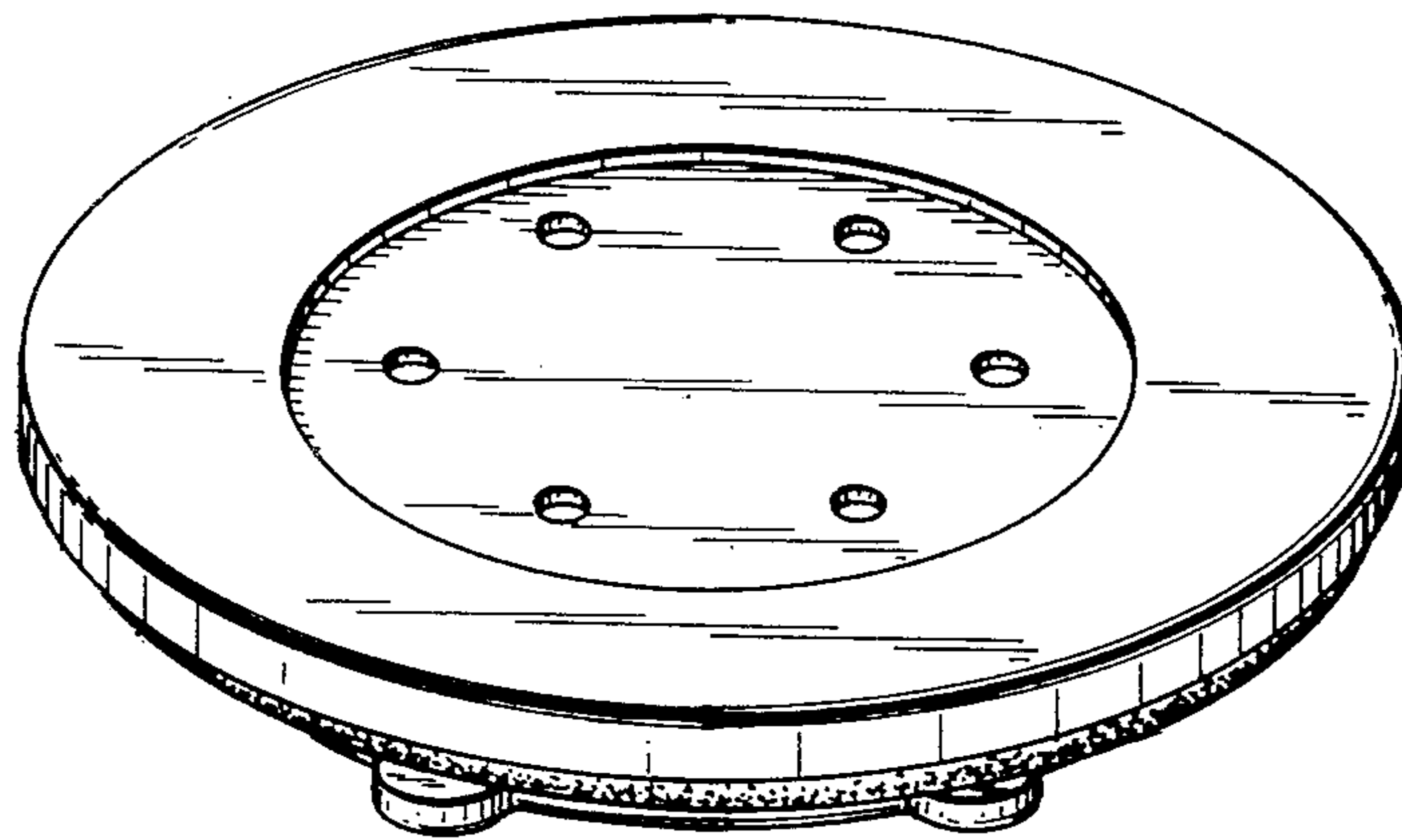
DESCRIPTION

[56] References Cited

U.S. PATENT DOCUMENTS

D. 131,556 3/1942 Karabin et al. D29/8
2,053,896 9/1936 Cover 128/206.17
2,153,437 4/1939 Schwartz D29/7
2,213,433 9/1940 Punton 128/206.17

FIG. 1 is a top and side perspective view of a filter for a computer disk drive assembly showing my new design;
FIG. 2 is a bottom and side perspective view thereof;
FIG. 3 is a slightly reduced top plan view thereof;
FIG. 4 is a slightly reduced bottom plan view thereof; and
FIG. 5 is an enlarged side elevational view thereof.



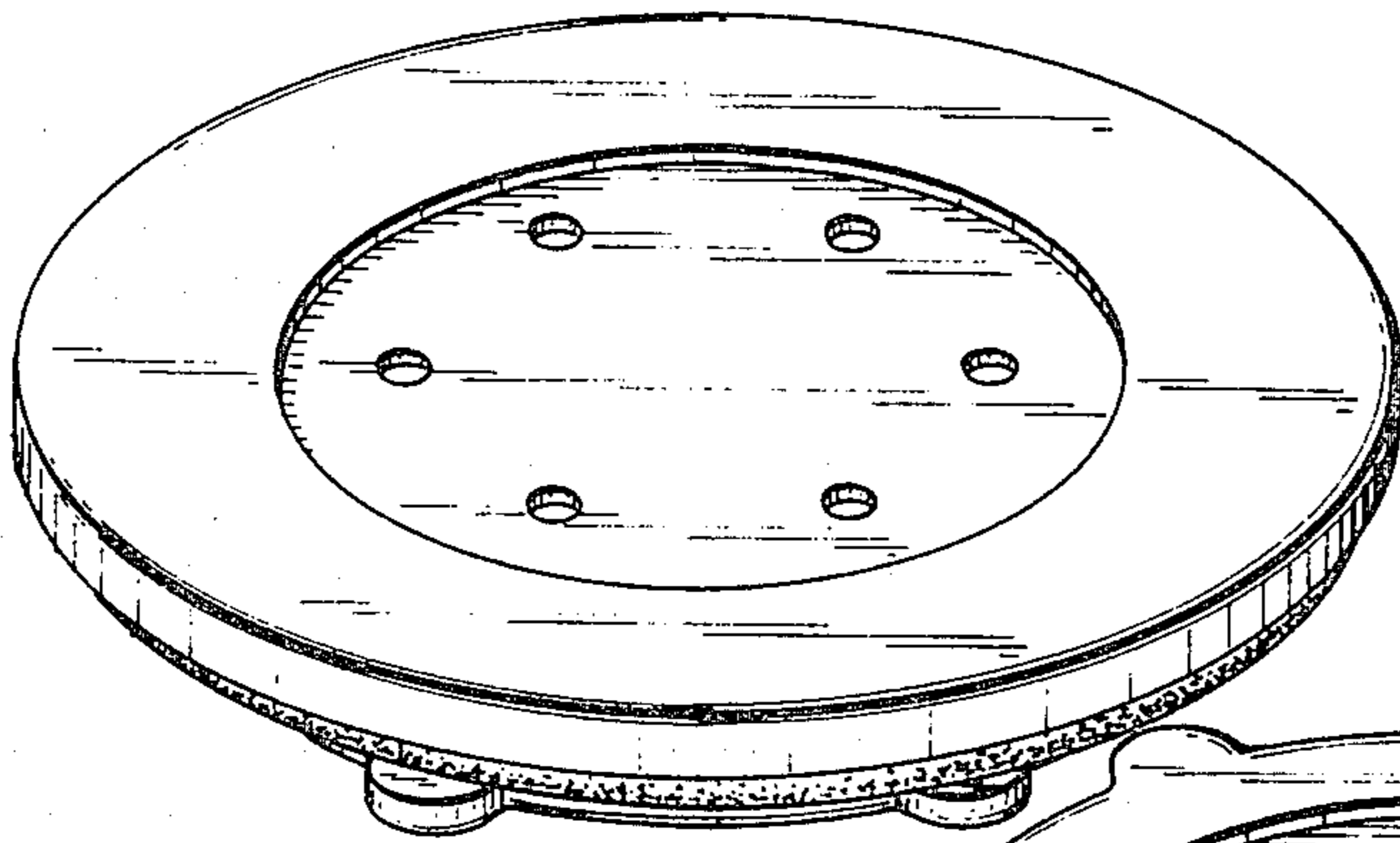


FIG. 1

FIG. 2

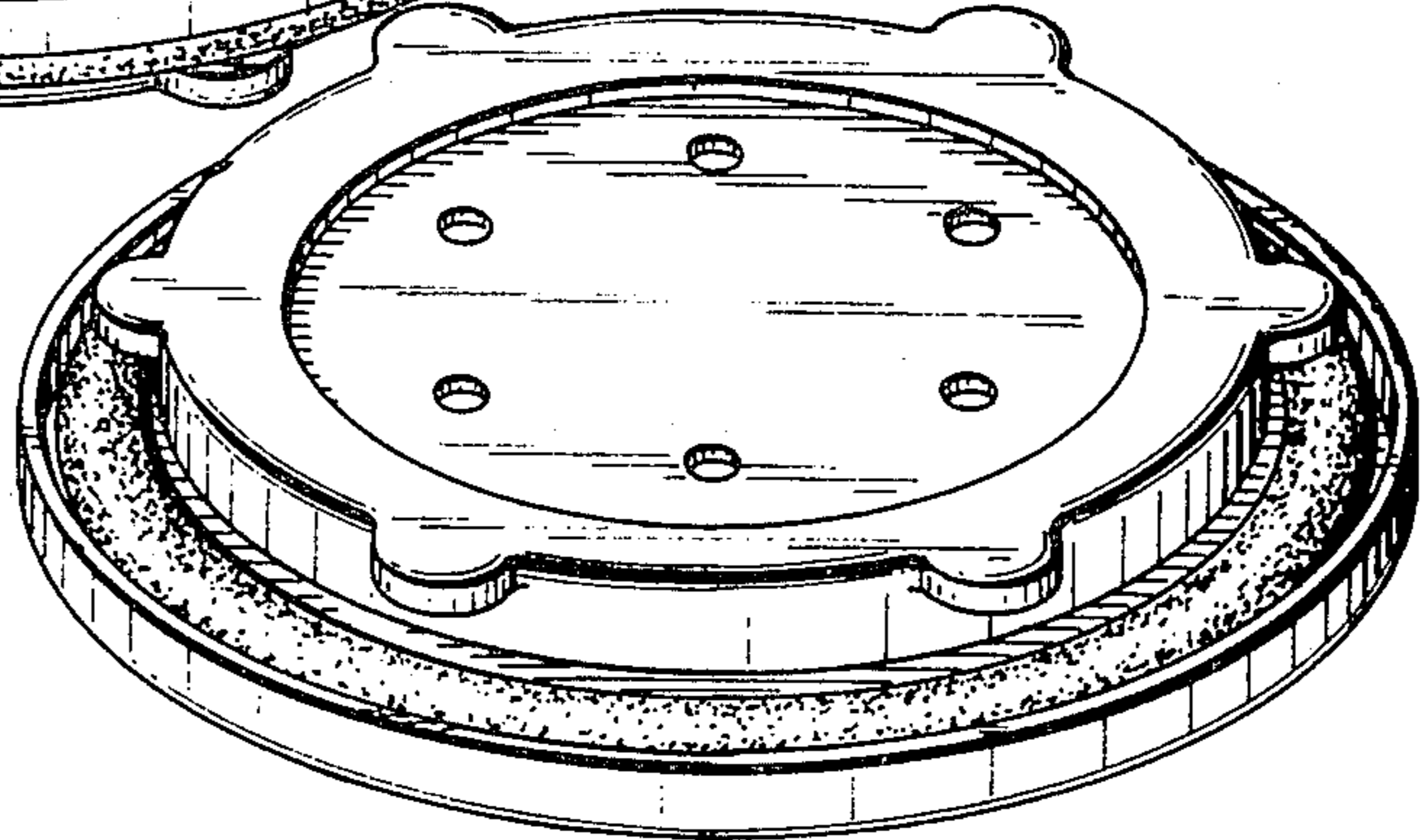


FIG. 3

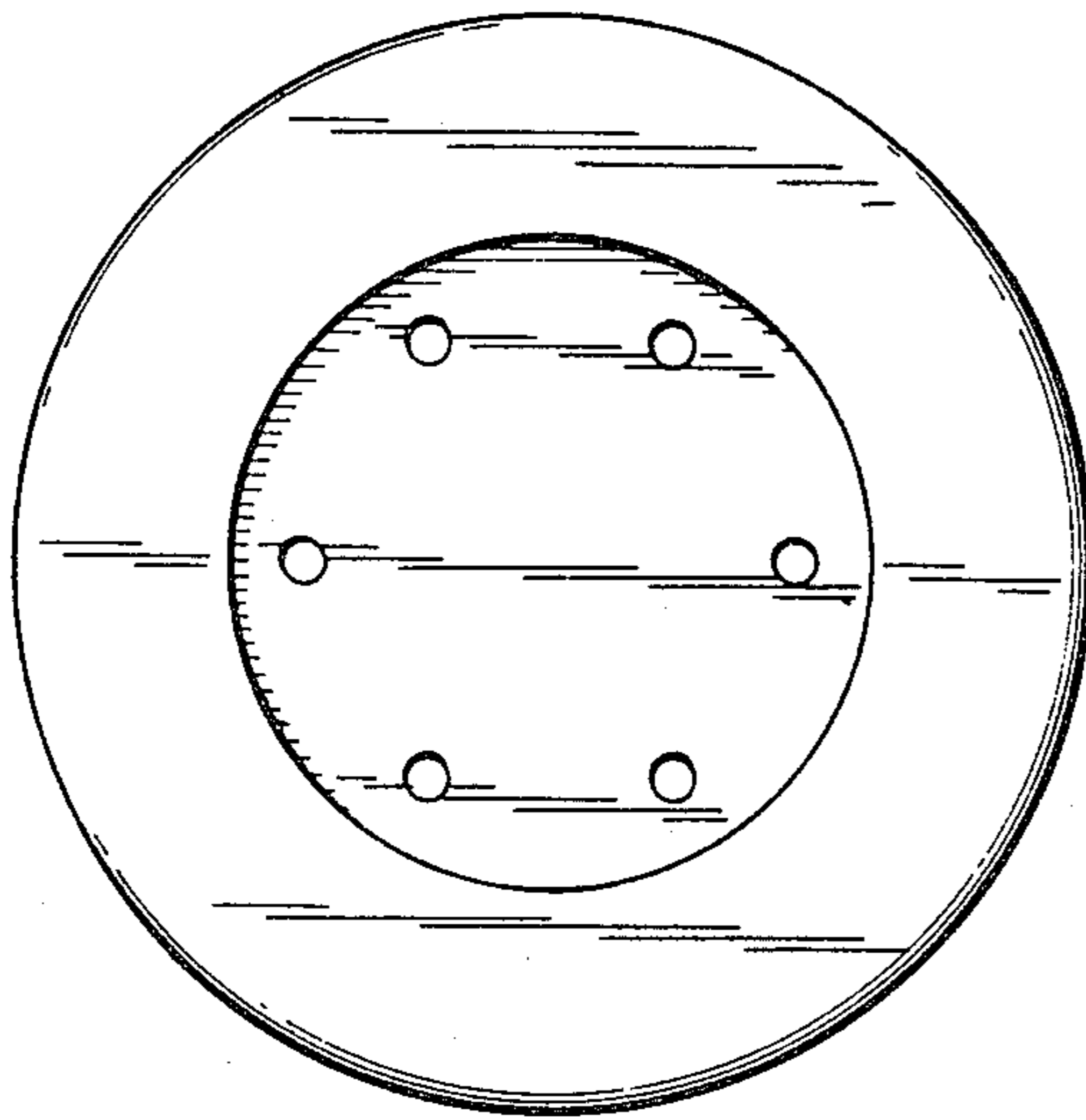


FIG. 4

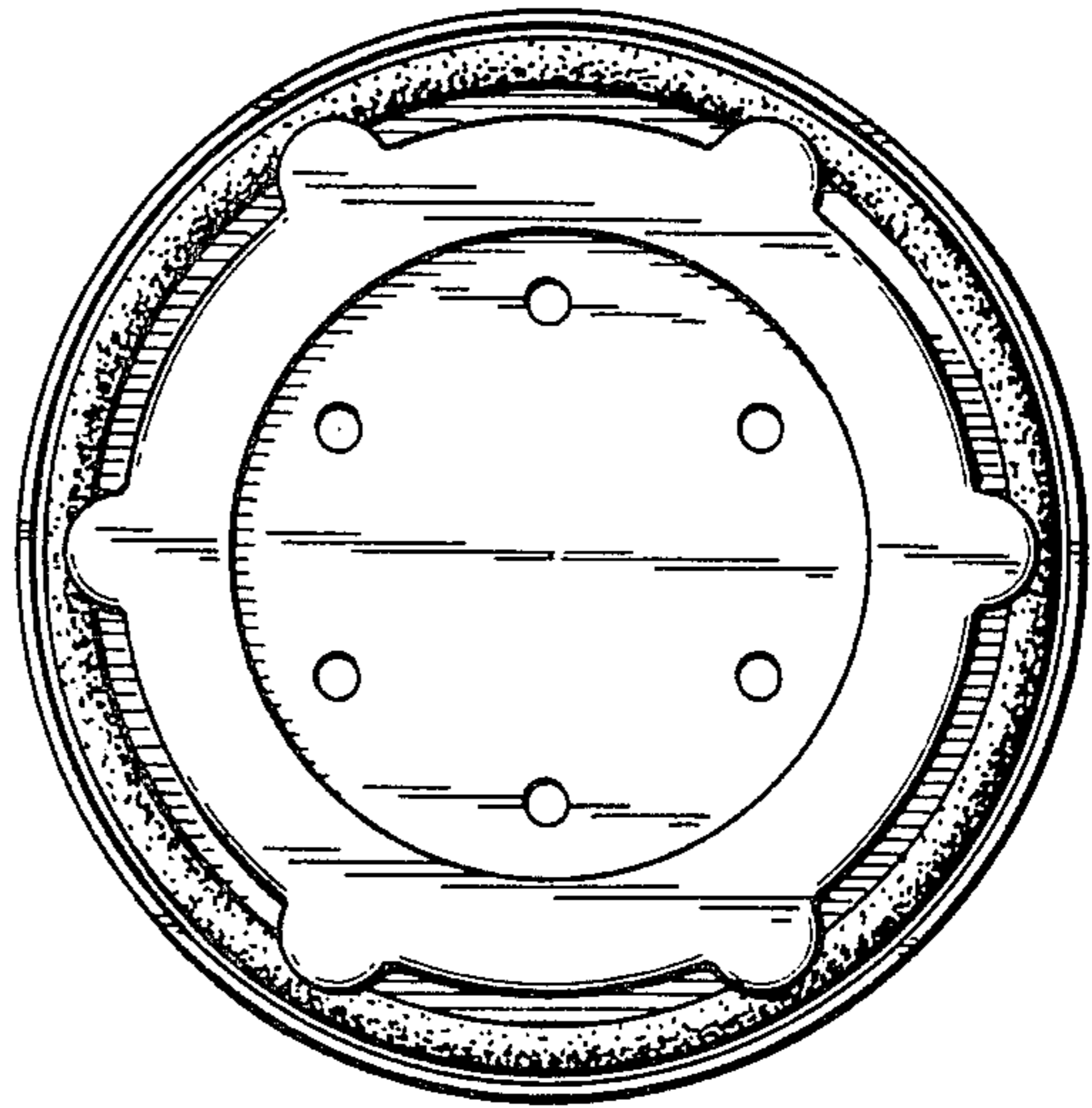


FIG. 5

