

[54] SOUND-ATTENUATING EARCUPS

[75] Inventor: Philip H. Stevens, Skaneateles, N.Y.

[73] Assignee: Gentex Corporation, Carbondale, Pa.

[**] Term: 14 Years

[21] Appl. No.: 494,067

[22] Filed: May 12, 1983

[52] U.S. Cl. D14/37; D14/36; D14/67

[58] Field of Search D14/36, 67, 37; 179/156 R, 156 A, 182 R; 381/72, 74

[56] References Cited

U.S. PATENT DOCUMENTS

D. 135,674	5/1943	Williams et al.	D14/67
D. 197,773	3/1964	Ugartechea	179/182 R X
D. 214,128	5/1969	Eriksson	D14/67
1,536,712	5/1925	Hehnly	179/182 R
3,087,028	4/1963	Bonnin	179/156 R

Primary Examiner—Jane E. Corrigan
Attorney, Agent, or Firm—Shenier & O'Connor

[57] CLAIM

The ornamental design for a pair of sound-attenuating earcups, substantially as shown and described.

DESCRIPTION

FIG. 1 is a rear and right side perspective view of the right member of a pair of sound-attenuating earcups showing my new design;

FIG. 2 is a right side elevational view thereof;

FIG. 3 is a front elevational view thereof;

FIG. 4 is a bottom plan view thereof;

FIG. 5 is a top plan view thereof;

FIG. 6 is a sectional view thereof taken along line 6—6 in FIG. 1;

FIG. 7 is a rear and left side perspective view of the left member of a pair of sound-attenuating earcups showing my new design;

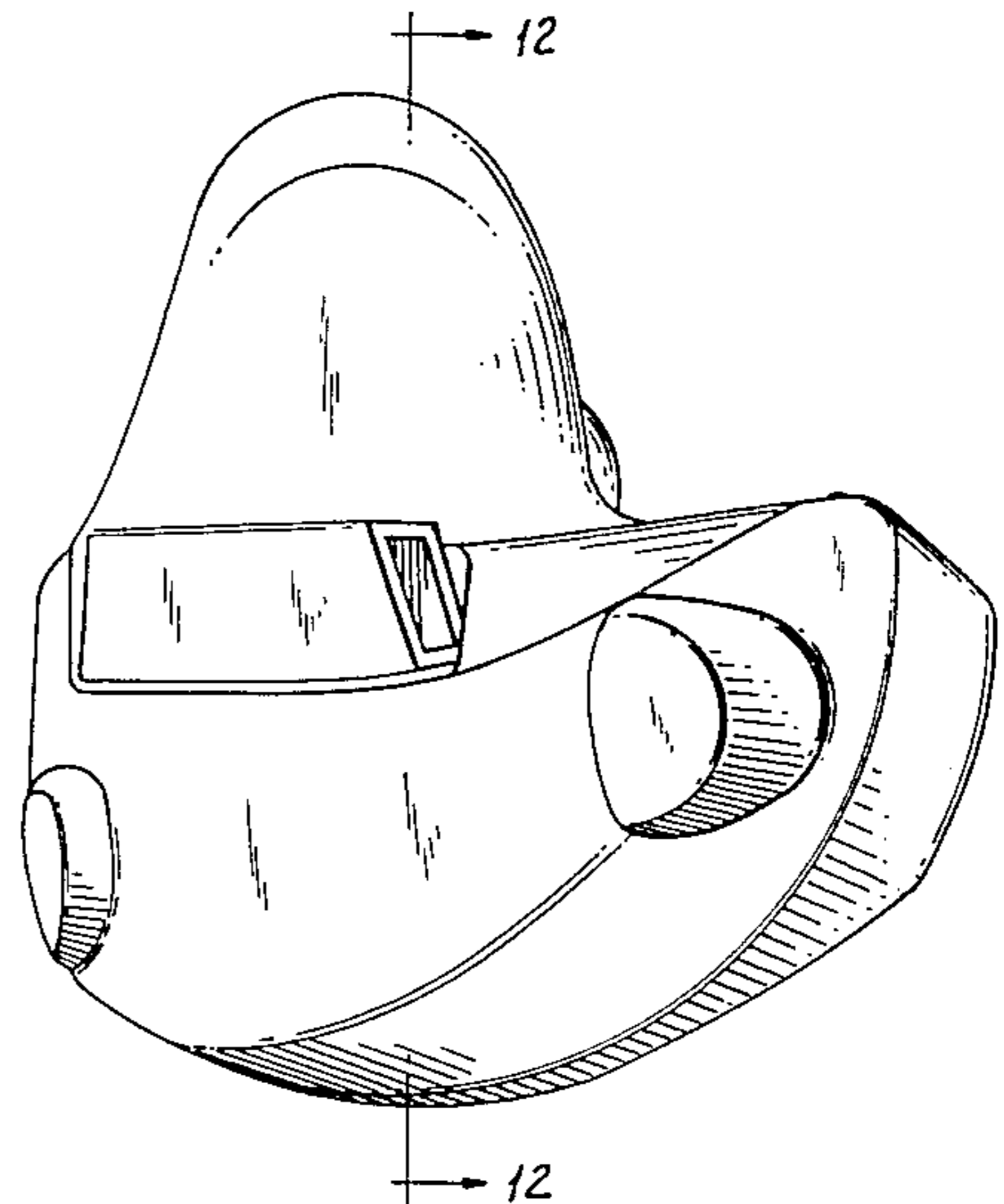
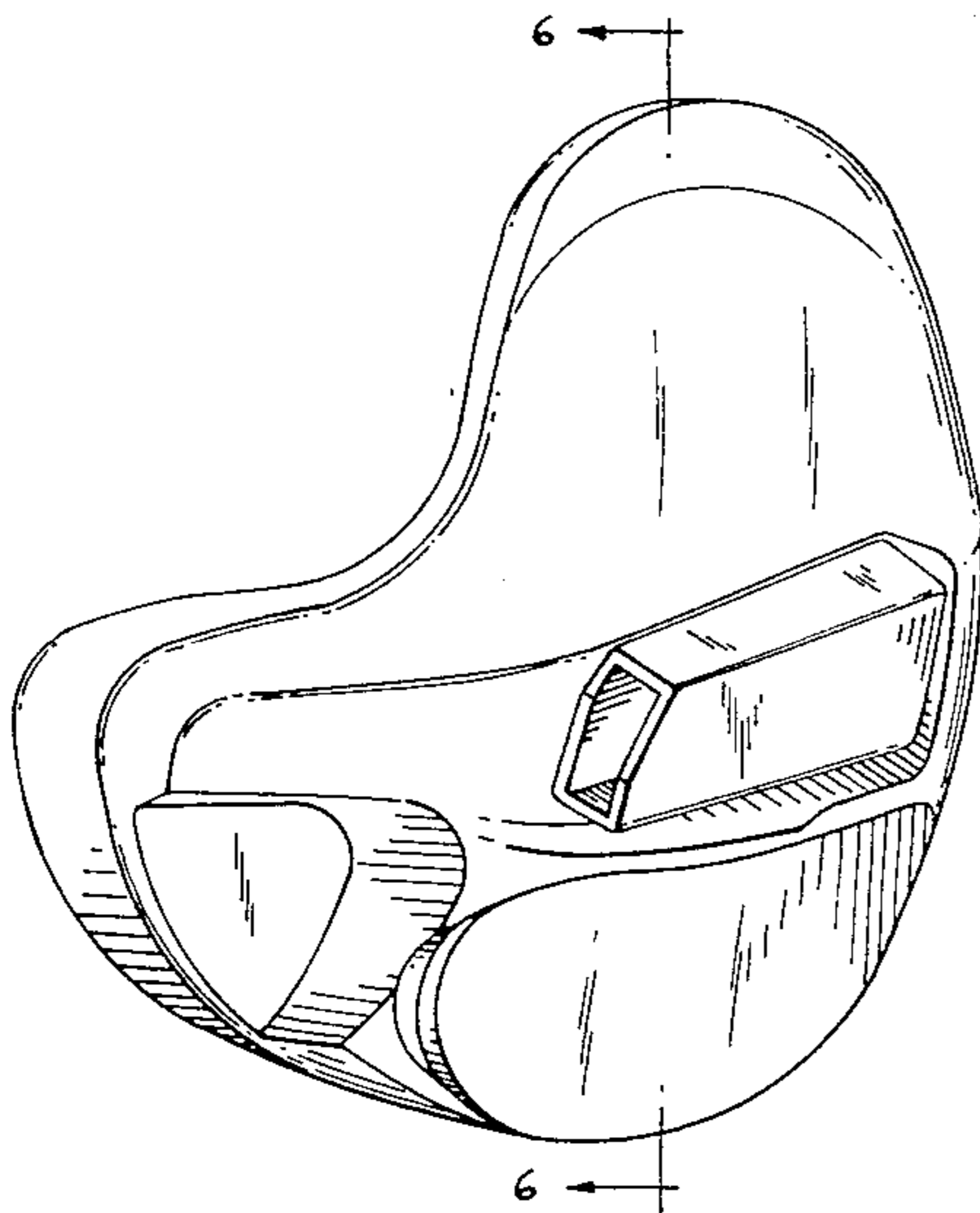
FIG. 8 is a left side elevational view thereof;

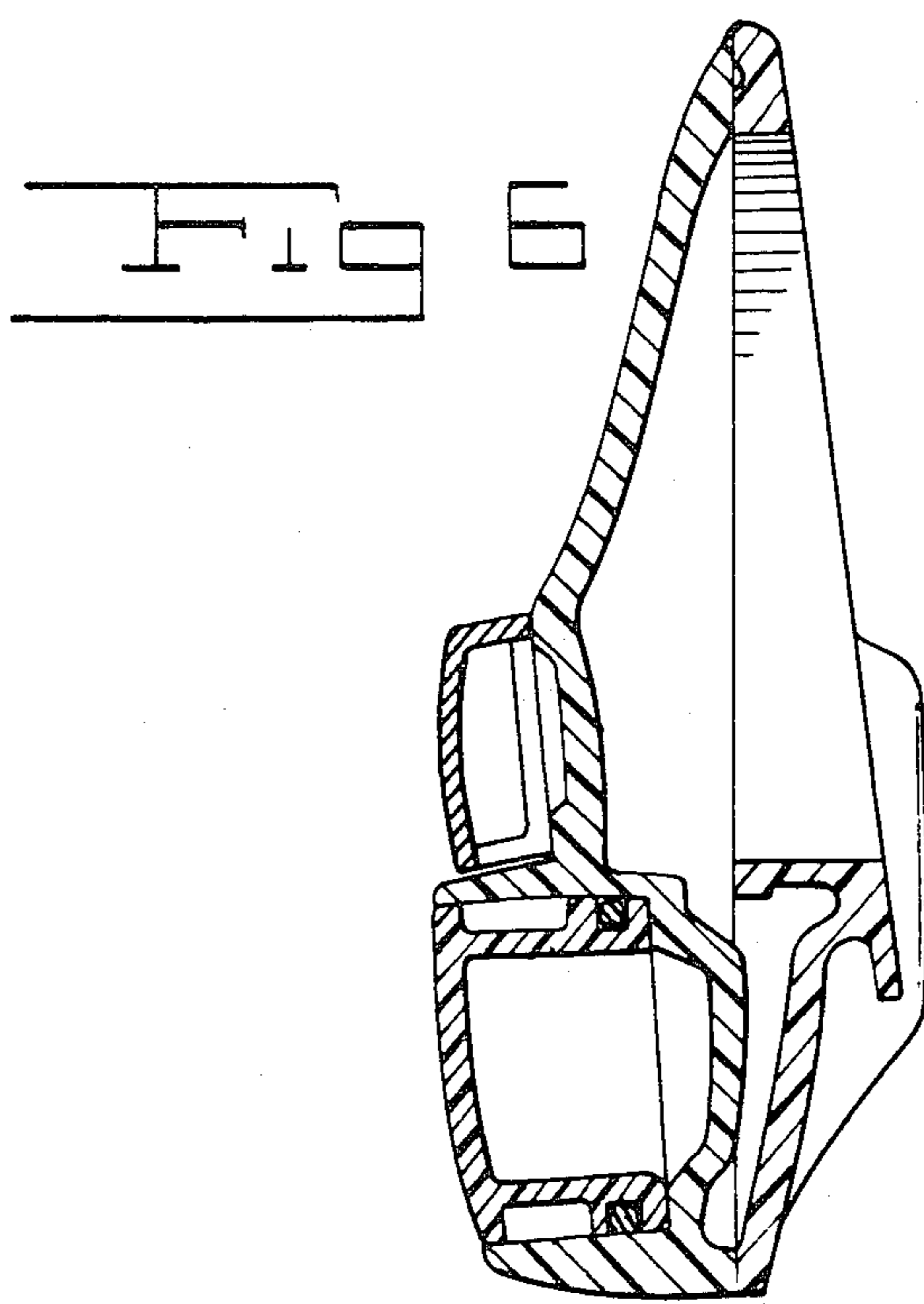
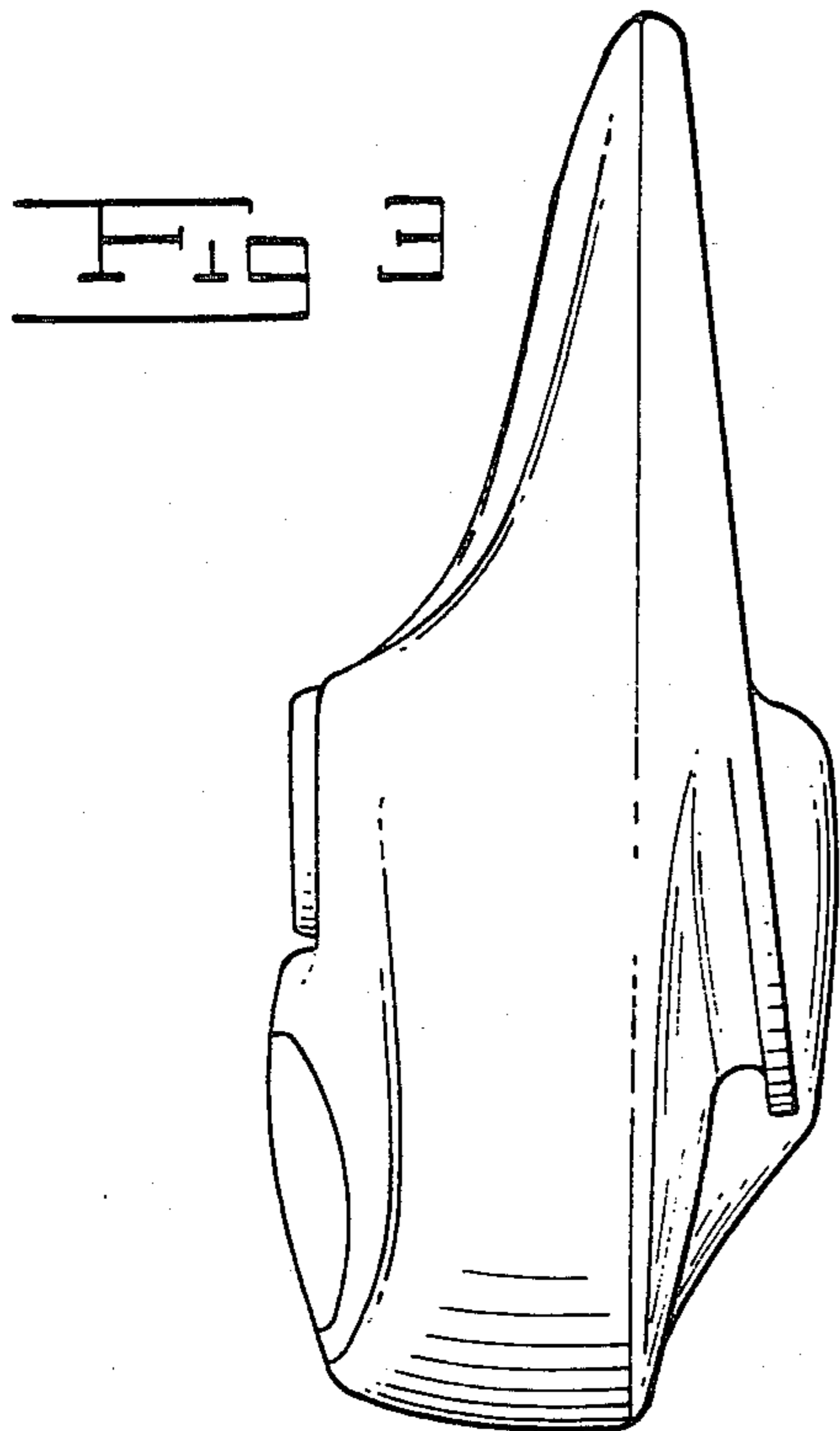
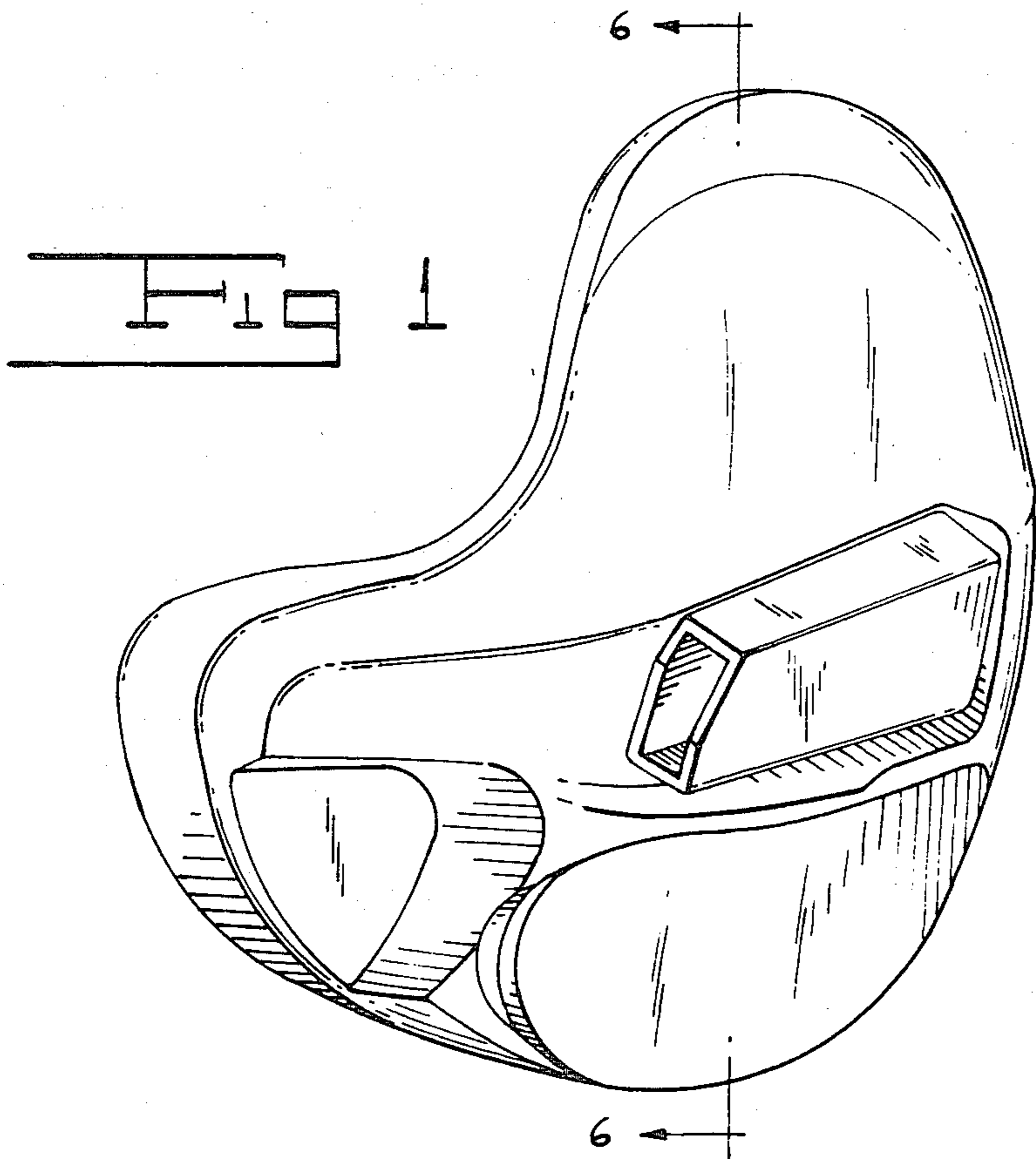
FIG. 9 is a front elevational view thereof;

FIG. 10 is a bottom plan view thereof;

FIG. 11 is a top plan view thereof; and

FIG. 12 is a sectional view thereof taken along line 12—12 in FIG. 7.





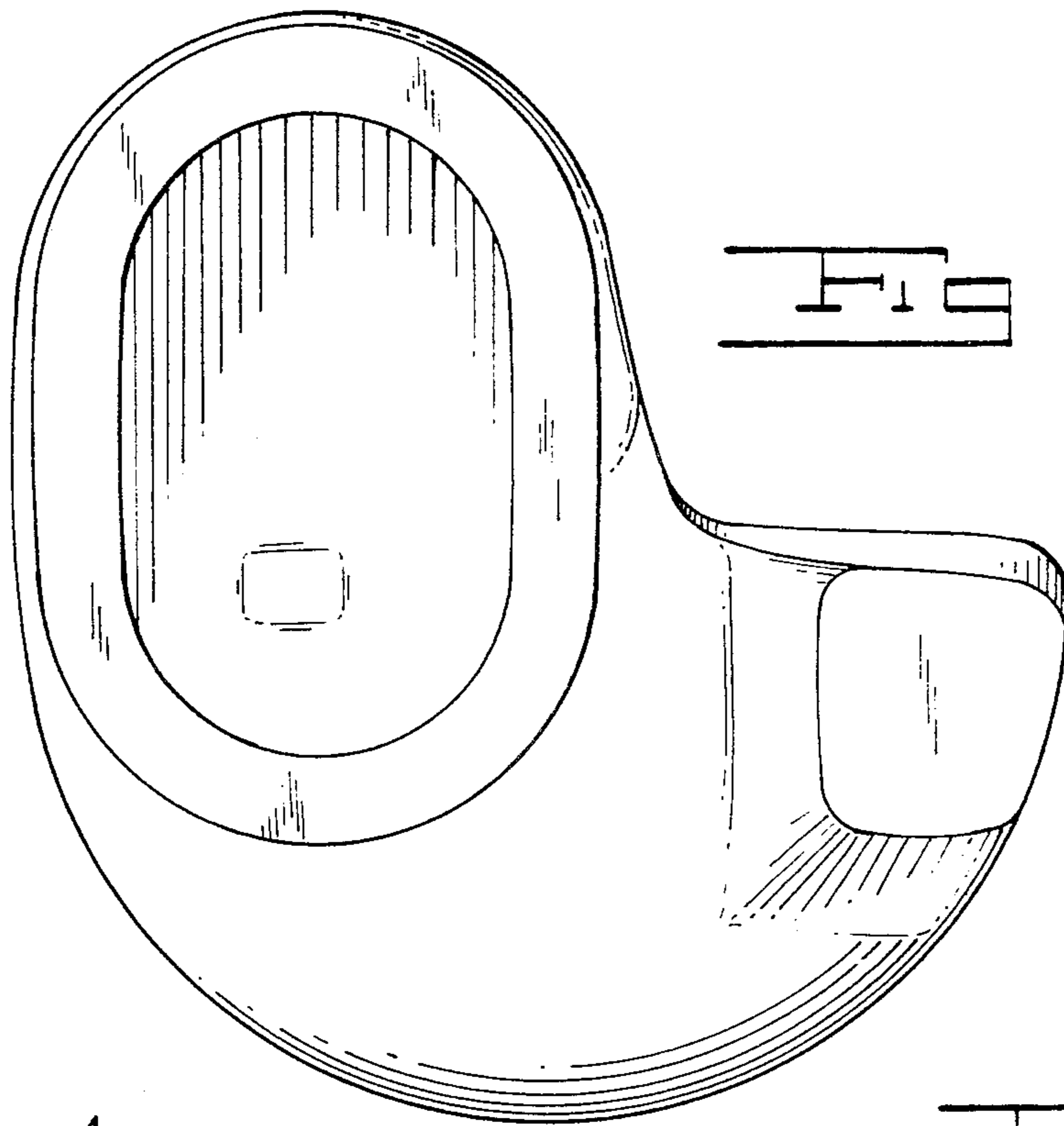


Fig 2

Fig 4

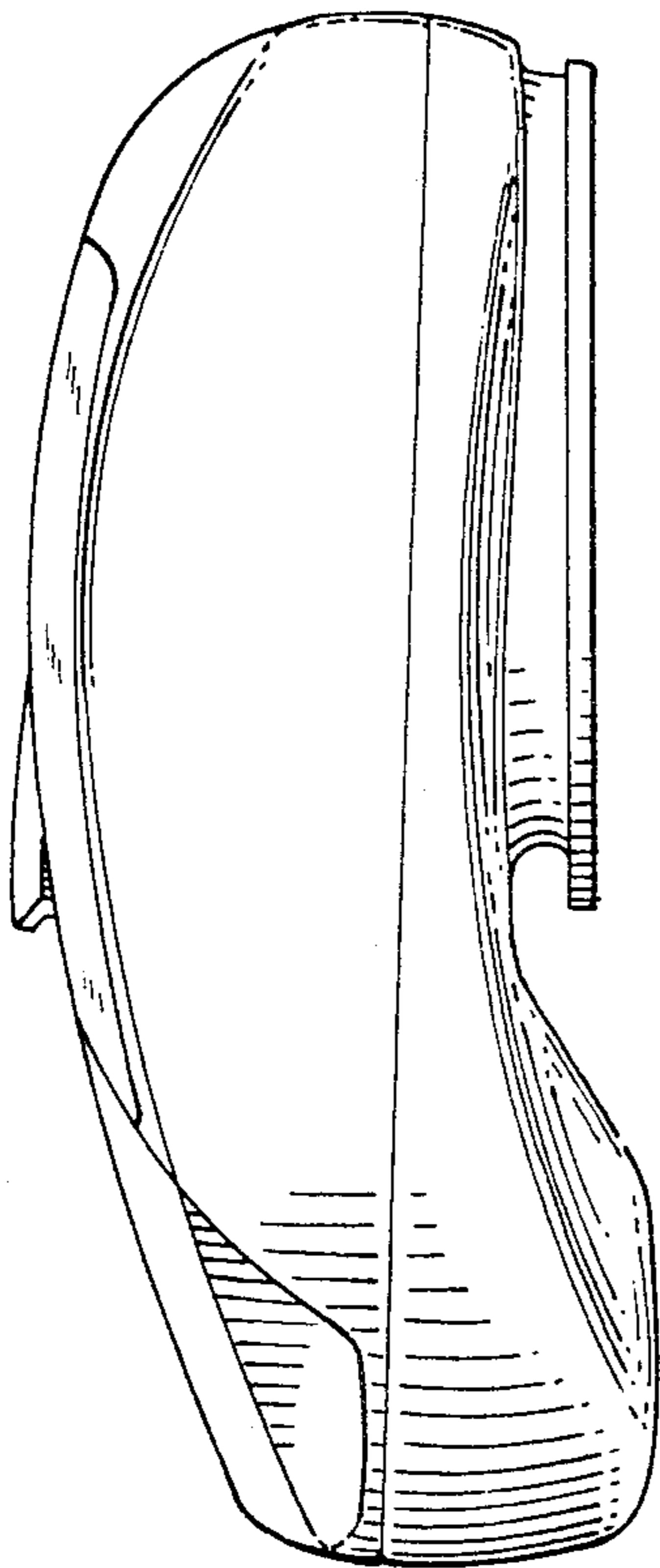
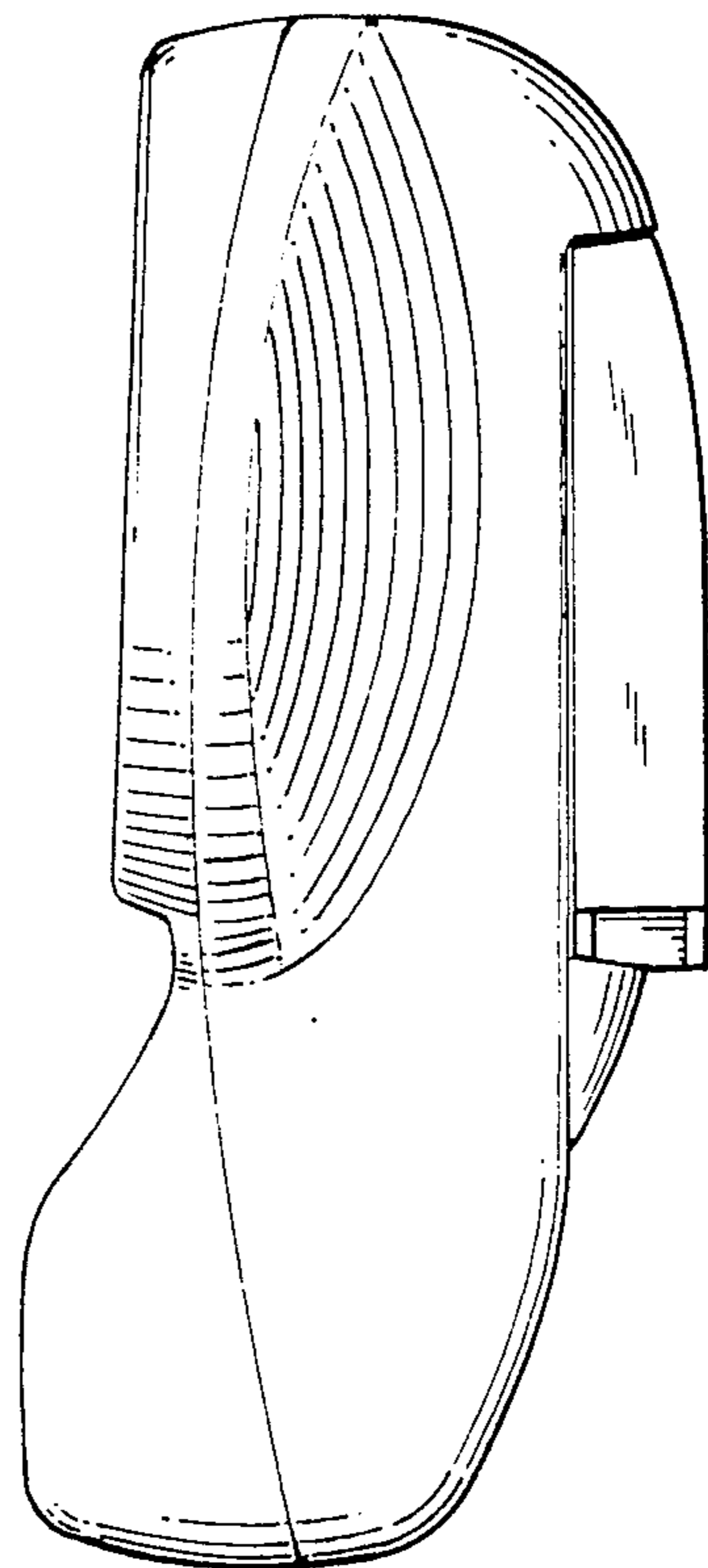


Fig 5



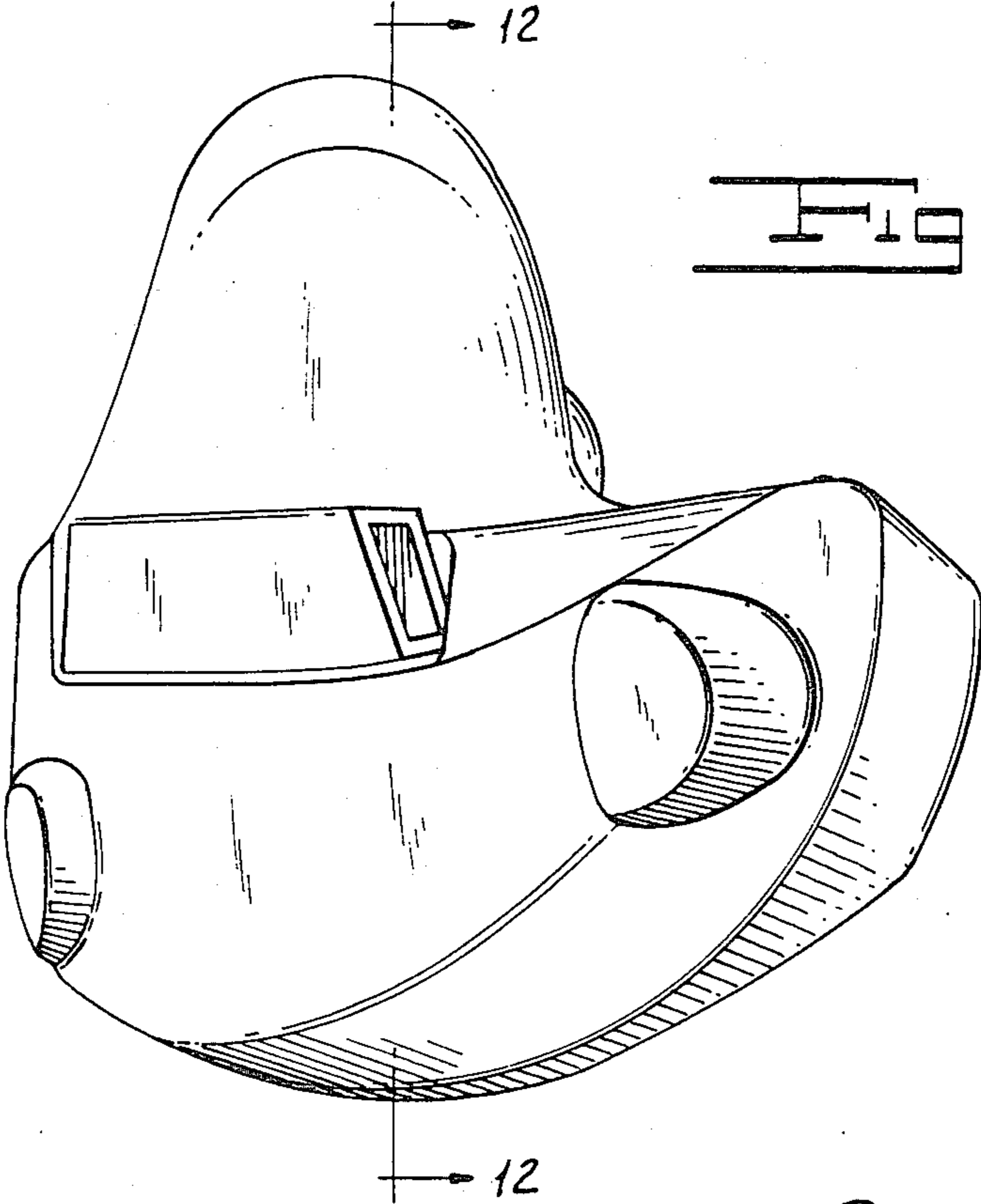


Fig 7

Fig 11

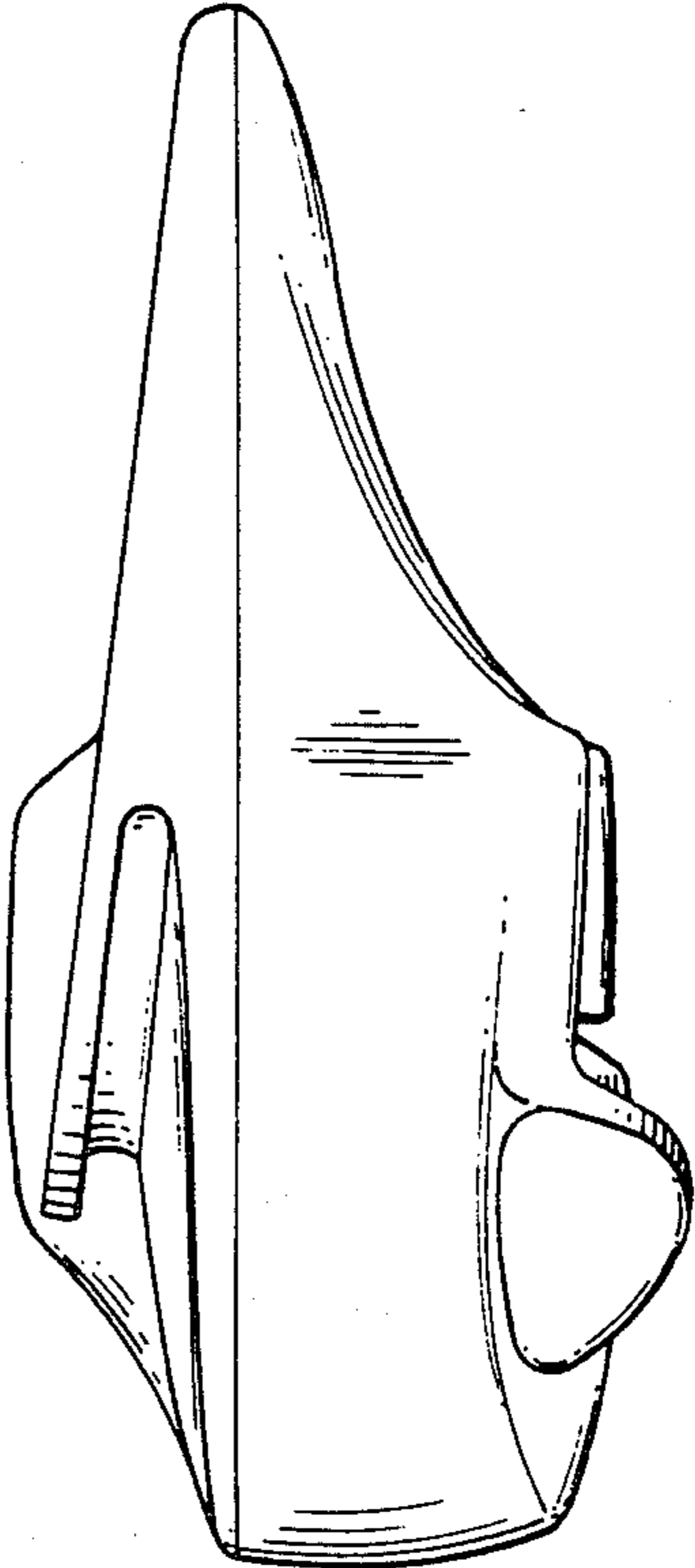
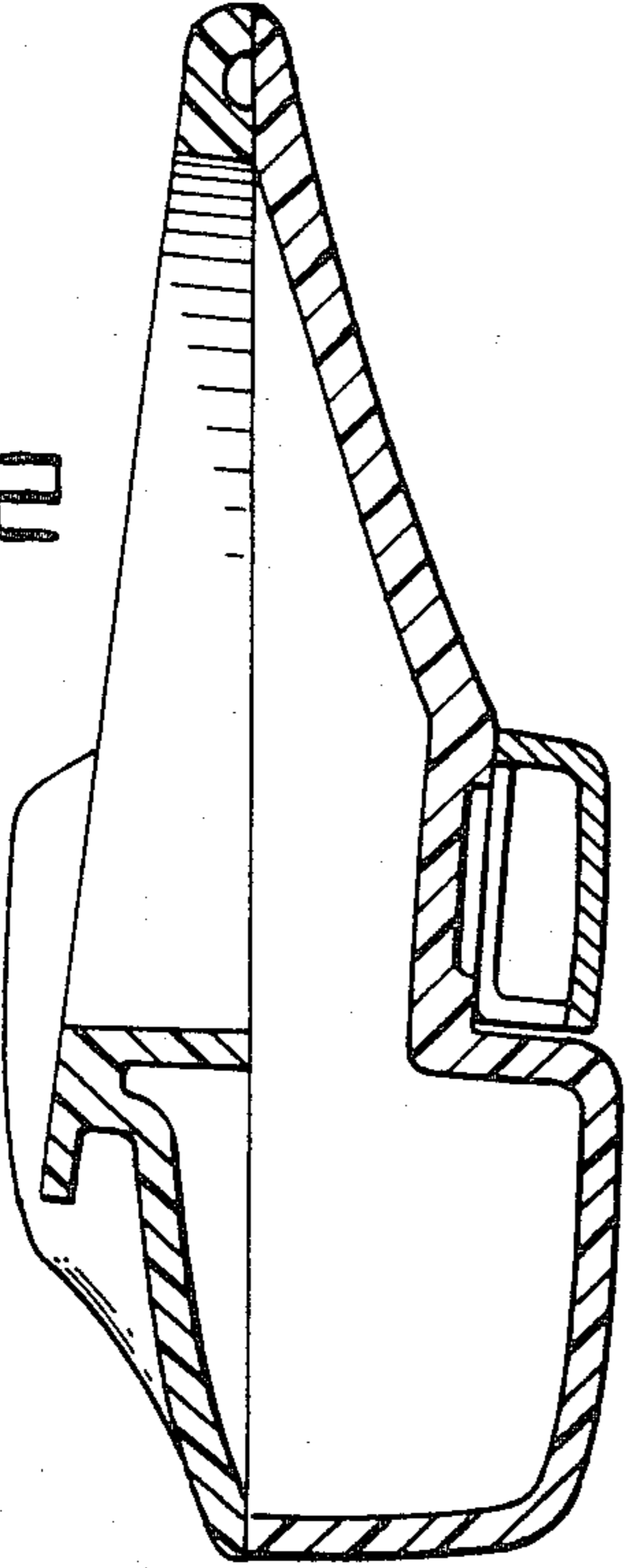


Fig 9

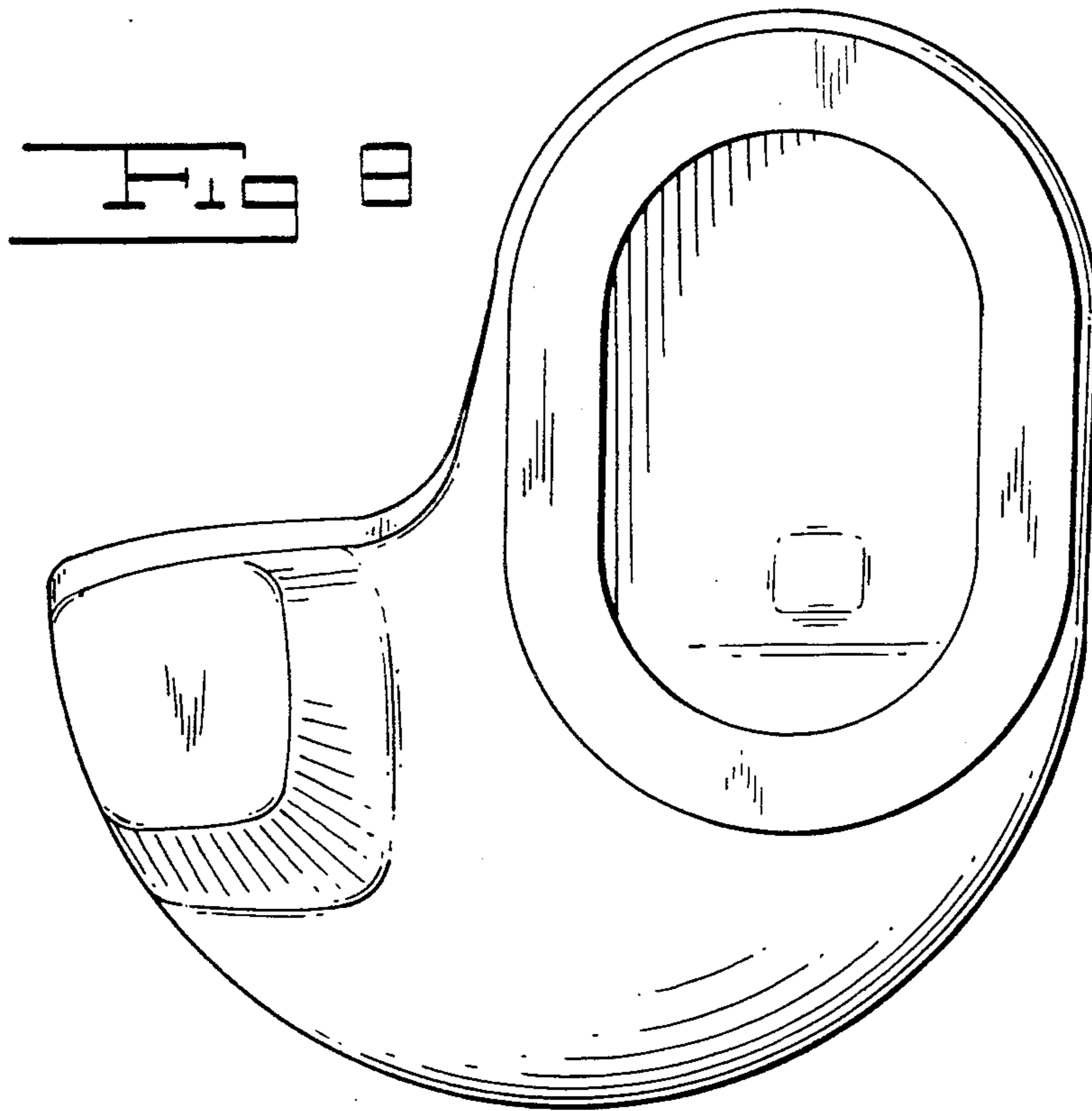


FIG 11

