

[54] LOUDSPEAKER

[75] Inventor: You Takagi, Tokyo, Japan

[73] Assignee: Pioneer Electronic Corporation, Tokyo, Japan

[\*\*] Term: 14 Years

[21] Appl. No.: 509,074

[22] Filed: Jun. 29, 1983

[30] Foreign Application Priority Data

Jan. 7, 1983 [JP] Japan ..... 58-135

[52] U.S. Cl. .... D14/30

[58] Field of Search ..... D14/30, 32-34, D14/37, 39

[56] References Cited

U.S. PATENT DOCUMENTS

- D. 254,130 2/1980 Iijima ..... D14/30
- D. 254,252 2/1980 Matsubara ..... D14/30

- D. 254,434 3/1980 Iijima ..... D14/30
- D. 275,098 8/1984 Flick ..... D14/39 X

OTHER PUBLICATIONS

W. Bell & Co. 1982 Catalog, ©1981, p. 285, Jensen Quadrax J1242 Speaker.

Primary Examiner—Jane E. Corrigan  
Attorney, Agent, or Firm—Sughrue, Mion, Zinn, Macpeak and Seas

[57] CLAIM

The ornamental design for a loudspeaker, as shown.

DESCRIPTION

FIG. 1 is a front elevational view of a loudspeaker showing my new design;  
 FIG. 2 is a rear elevational view thereof;  
 FIG. 3 is a left side elevational view thereof;  
 FIG. 4 is a right side elevational view thereof;  
 FIG. 5 is a top plan view thereof;  
 FIG. 6 is a bottom plan view thereof; and  
 FIG. 7 is a front perspective view thereof.

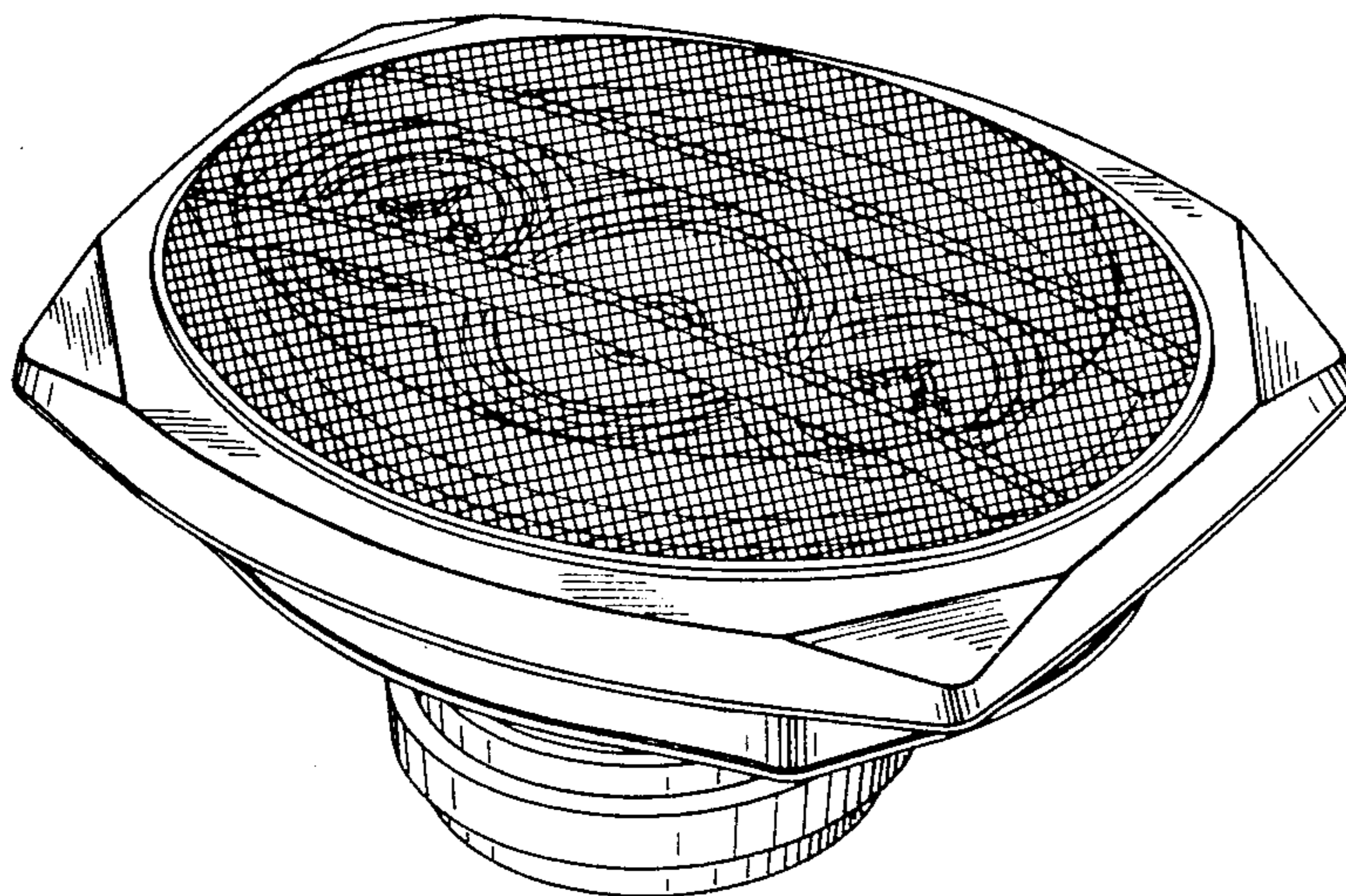


FIG. 1

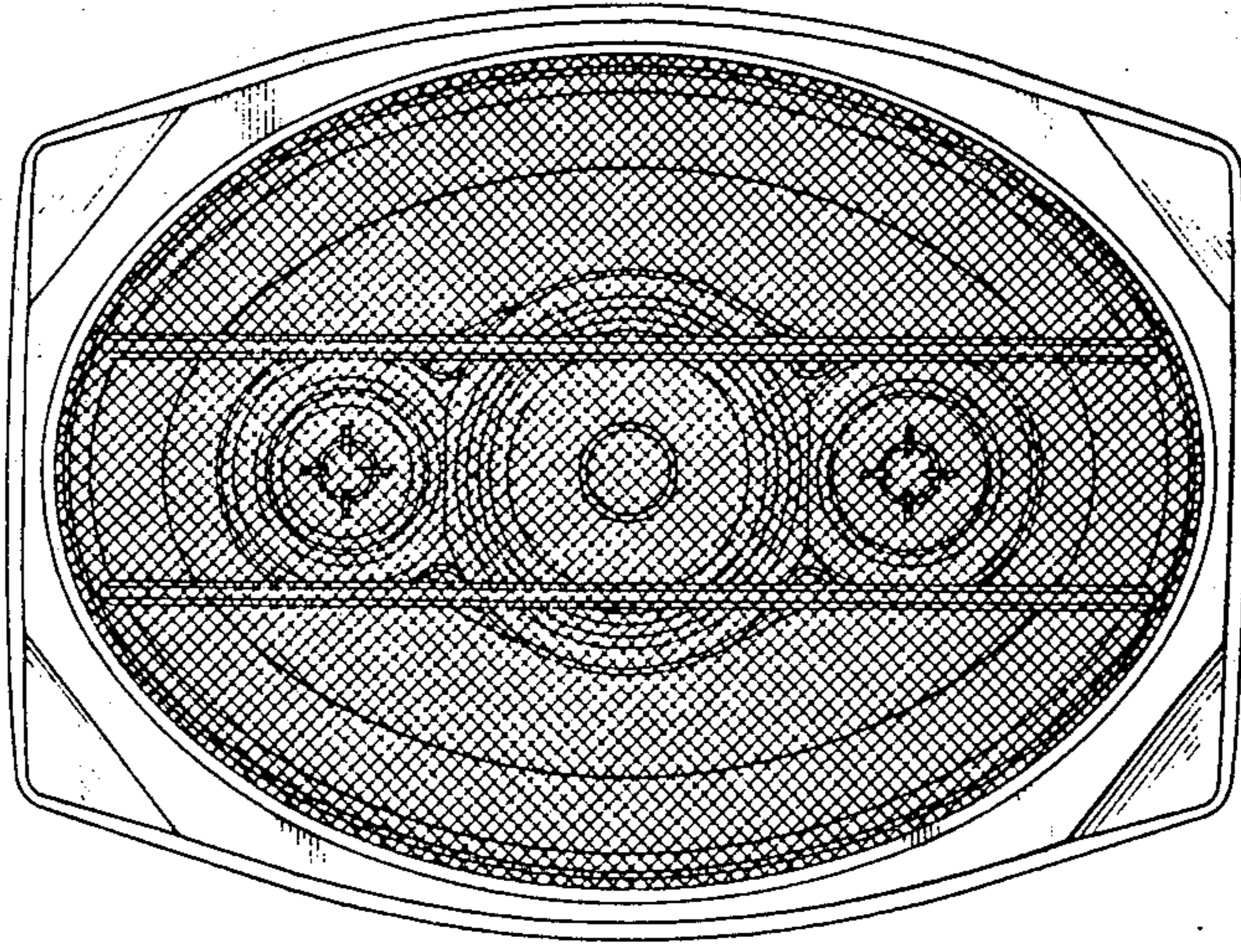


FIG. 2

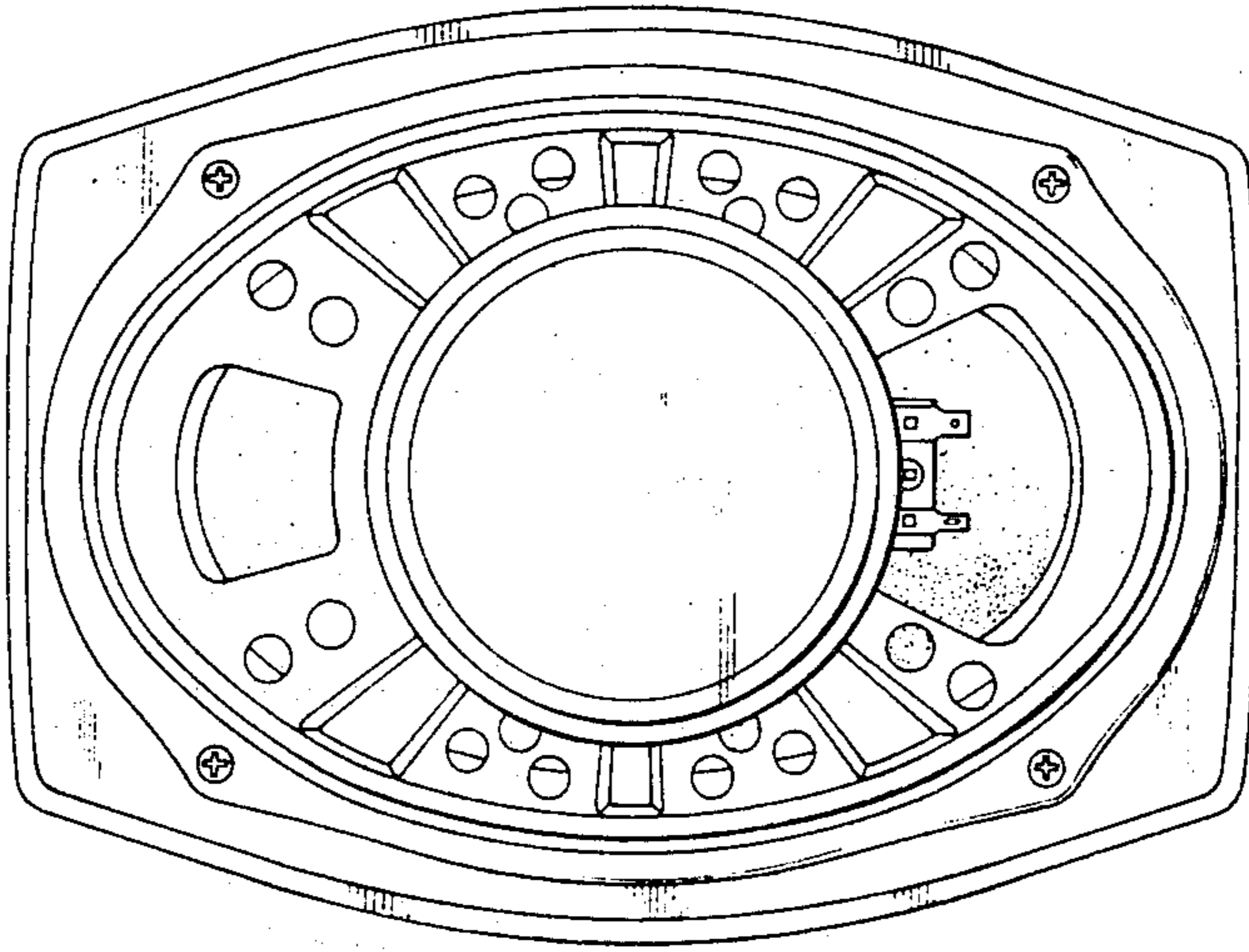




FIG. 3

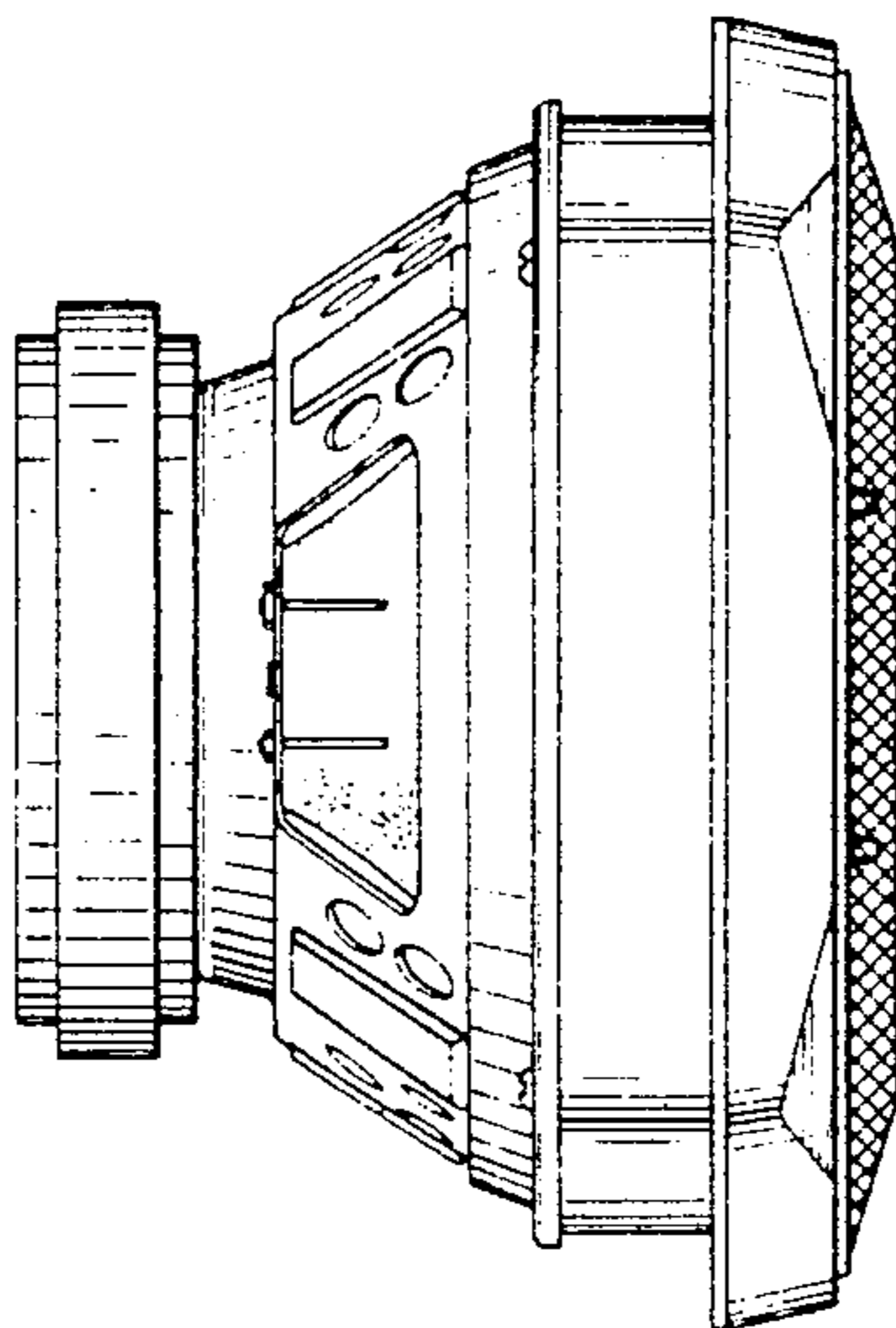


FIG. 4

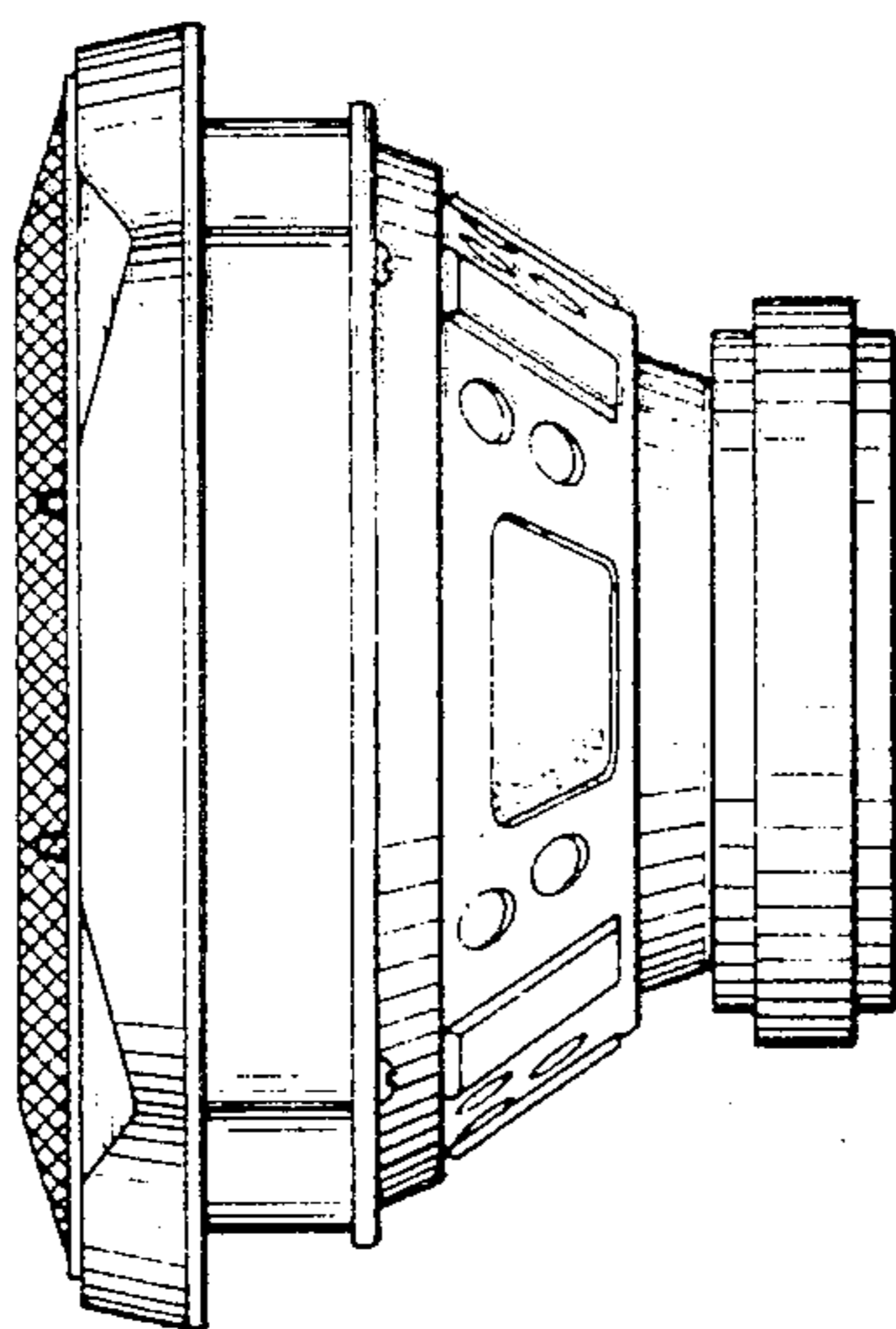


FIG. 5

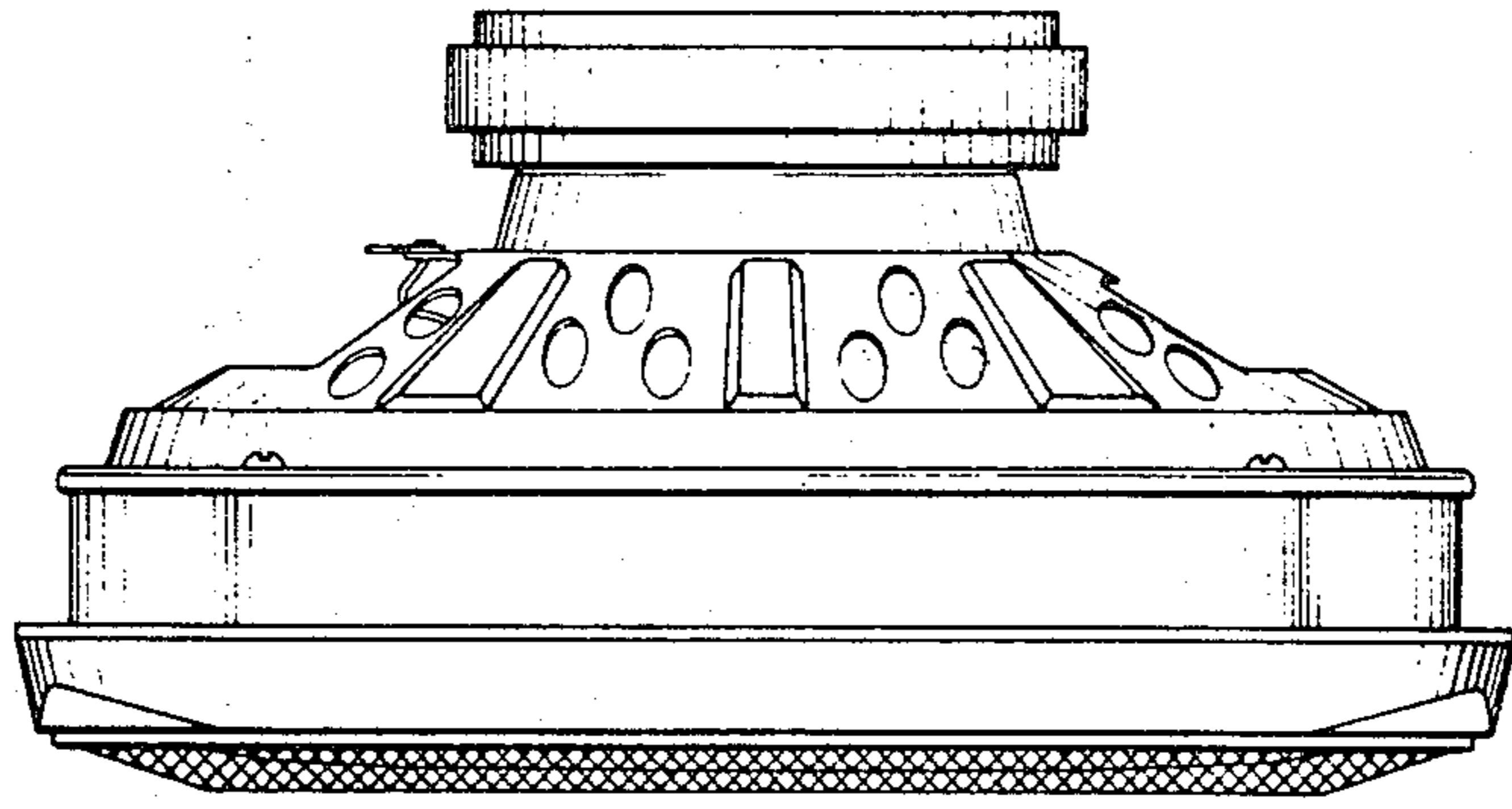


FIG. 6

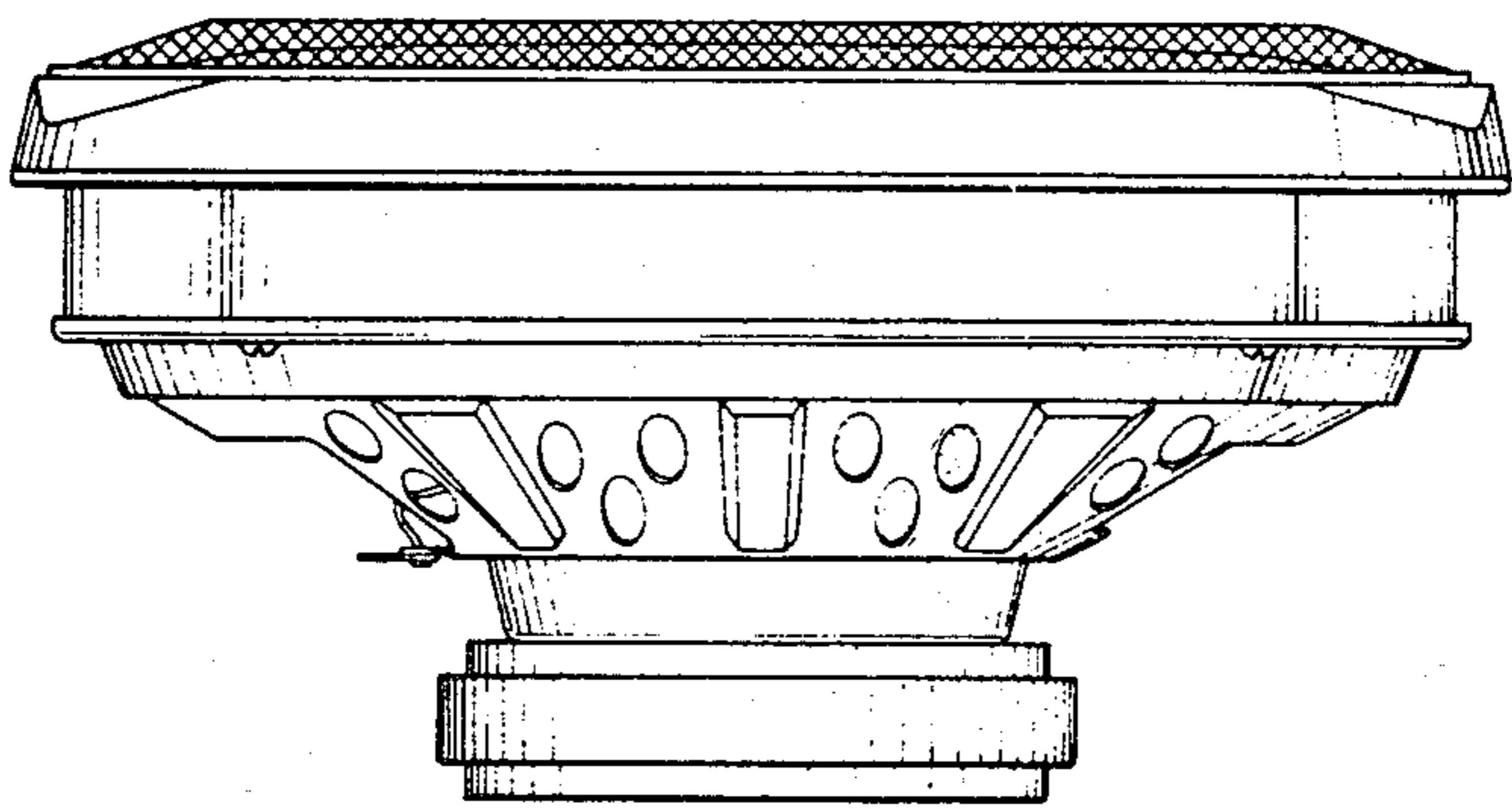


FIG. 7

