

[54] MOBILE ANTENNA TRANSPORT TRAILER

[75] Inventor: Doyle Catlett, Roseville, Calif.

[73] Assignee: Starsearch, Ltd., Englewood, Colo.

[**] Term: 14 Years

[21] Appl. No.: 330,445

[22] Filed: Dec. 14, 1981

[52] U.S. Cl. D12/101

[58] Field of Search D12/101; 296/181, 182; 280/789, 423 R

[56] References Cited

U.S. PATENT DOCUMENTS

3,892,423 7/1975 Smith D12/101

OTHER PUBLICATIONS

Yachting, 4/76, p. 199, Trailer, top left side of page.

Primary Examiner—James M. Gandy
Attorney, Agent, or Firm—Mark C. Jacobs

[57] CLAIM

The ornamental design for a mobile antenna transport trailer, substantially as shown and described.

DESCRIPTION

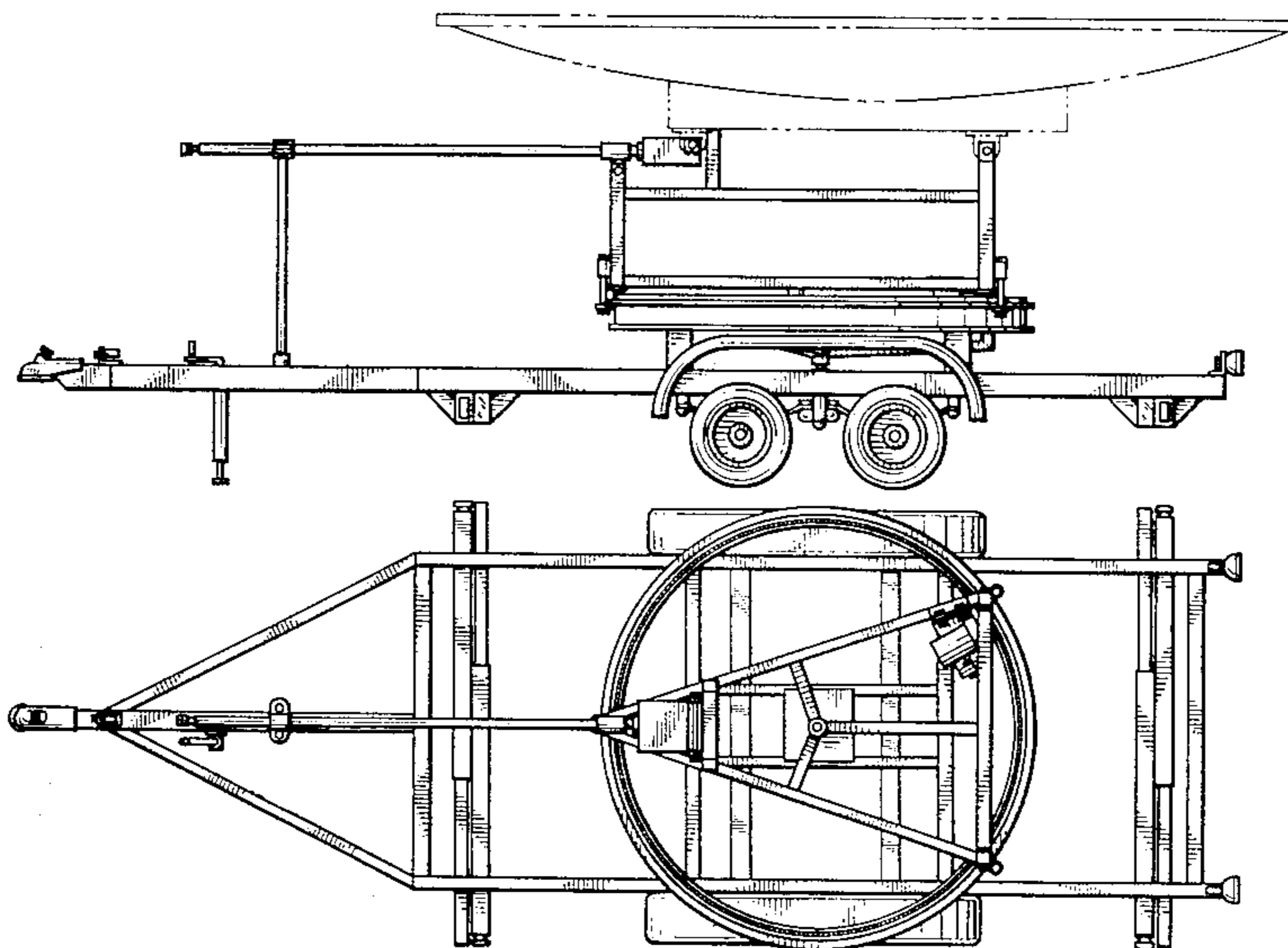
FIG. 1 is a side elevational view of a mobile antenna transport trailer showing my new design; it being understood that the broken line showing of the antenna is for illustrative purposes only;

FIG. 2 is a top plan view;

FIG. 3 is a bottom plan view;

FIG. 4 is a front elevational view; and

FIG. 5 is a rear elevational view.



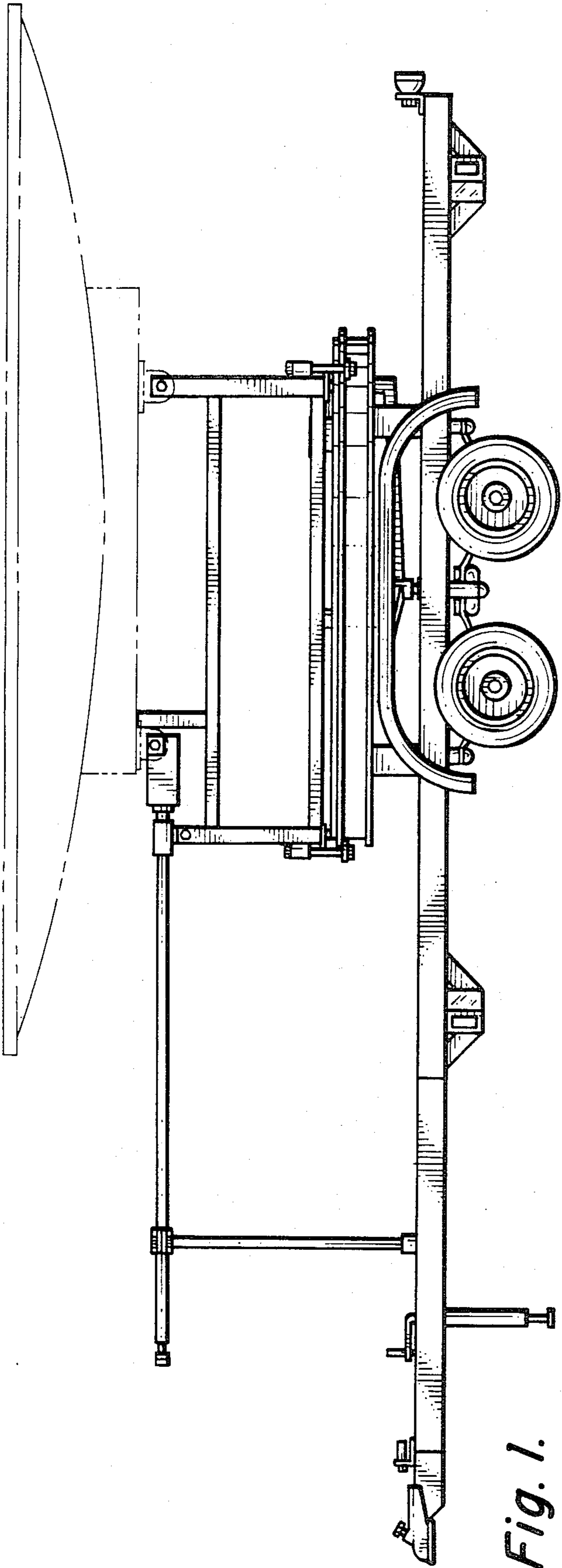


Fig. 1.

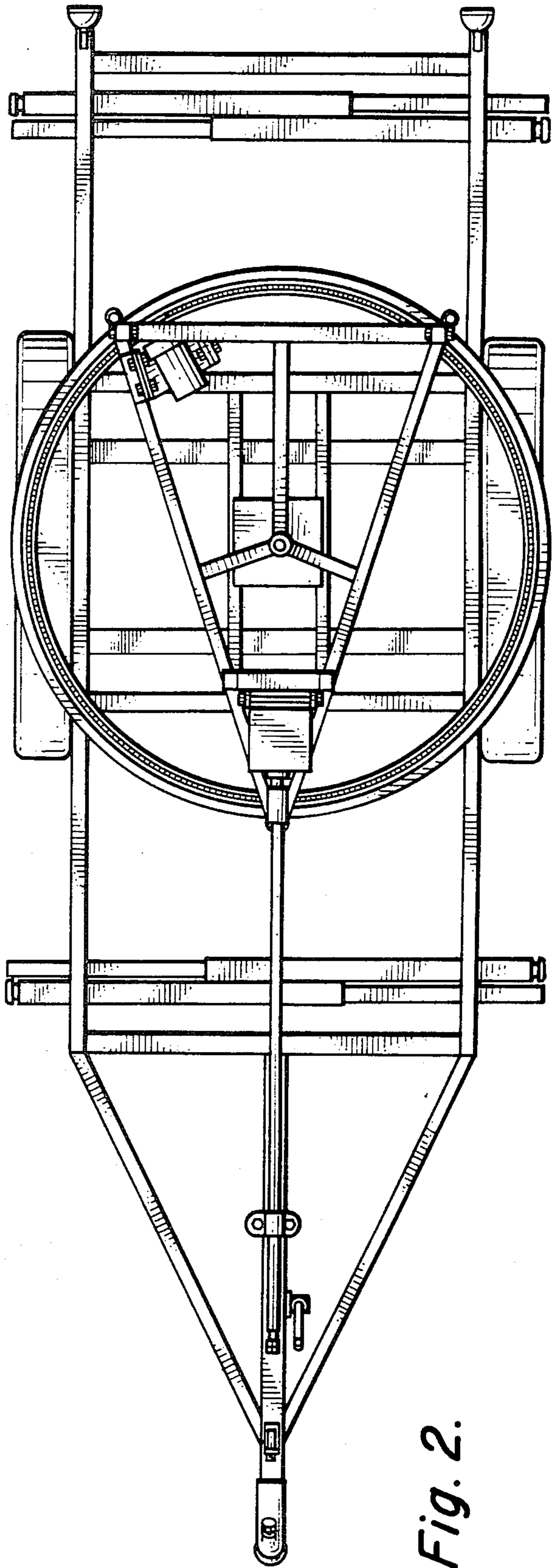


Fig. 2.

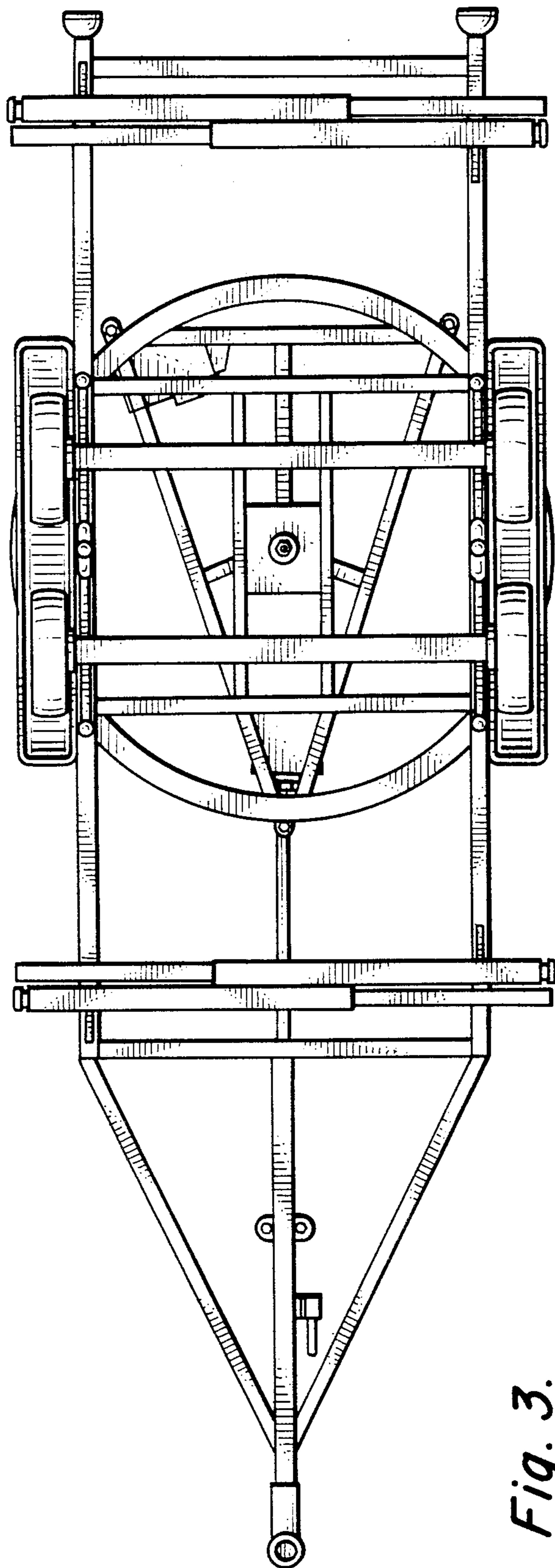


Fig. 3.

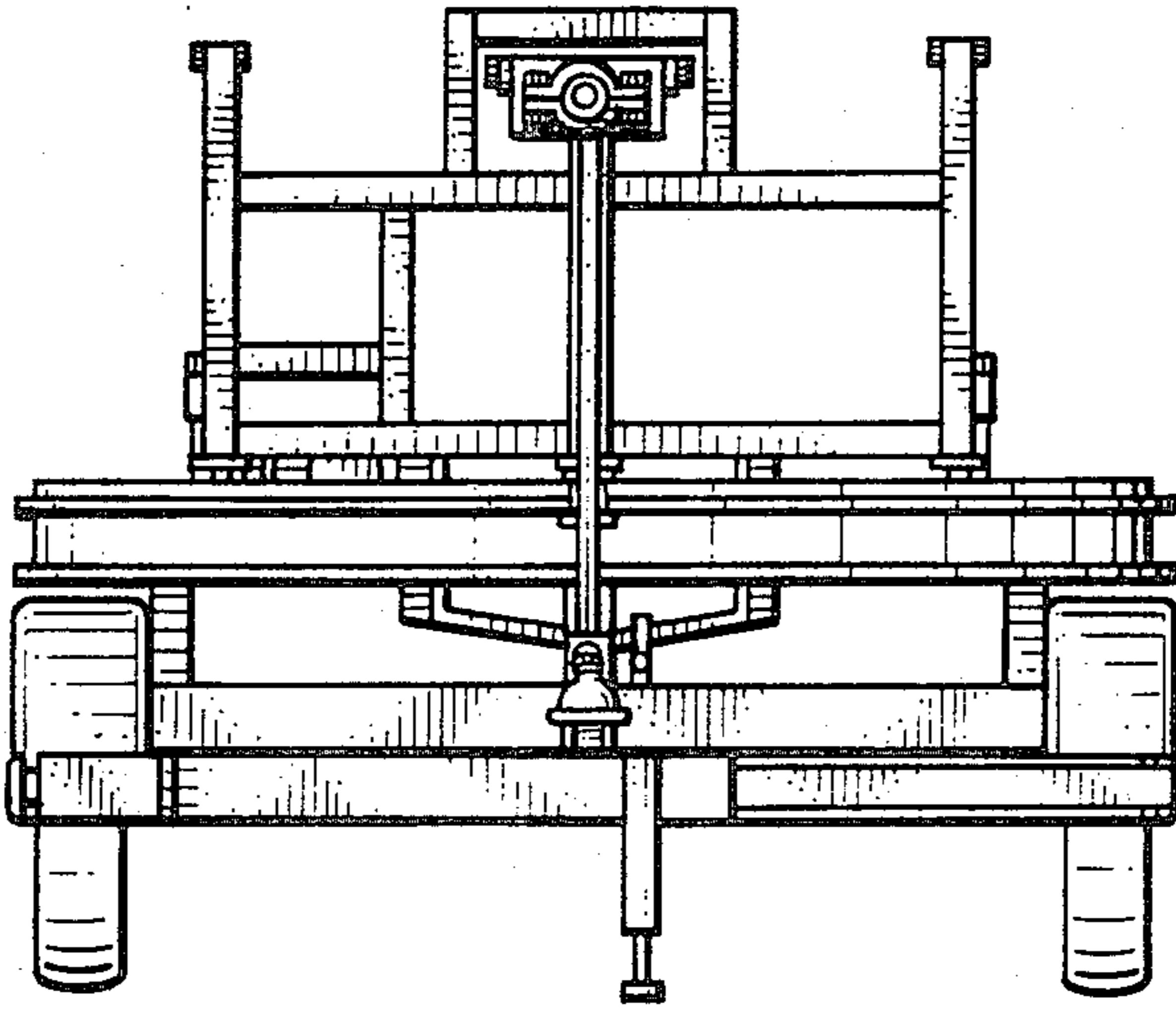


Fig. 4.

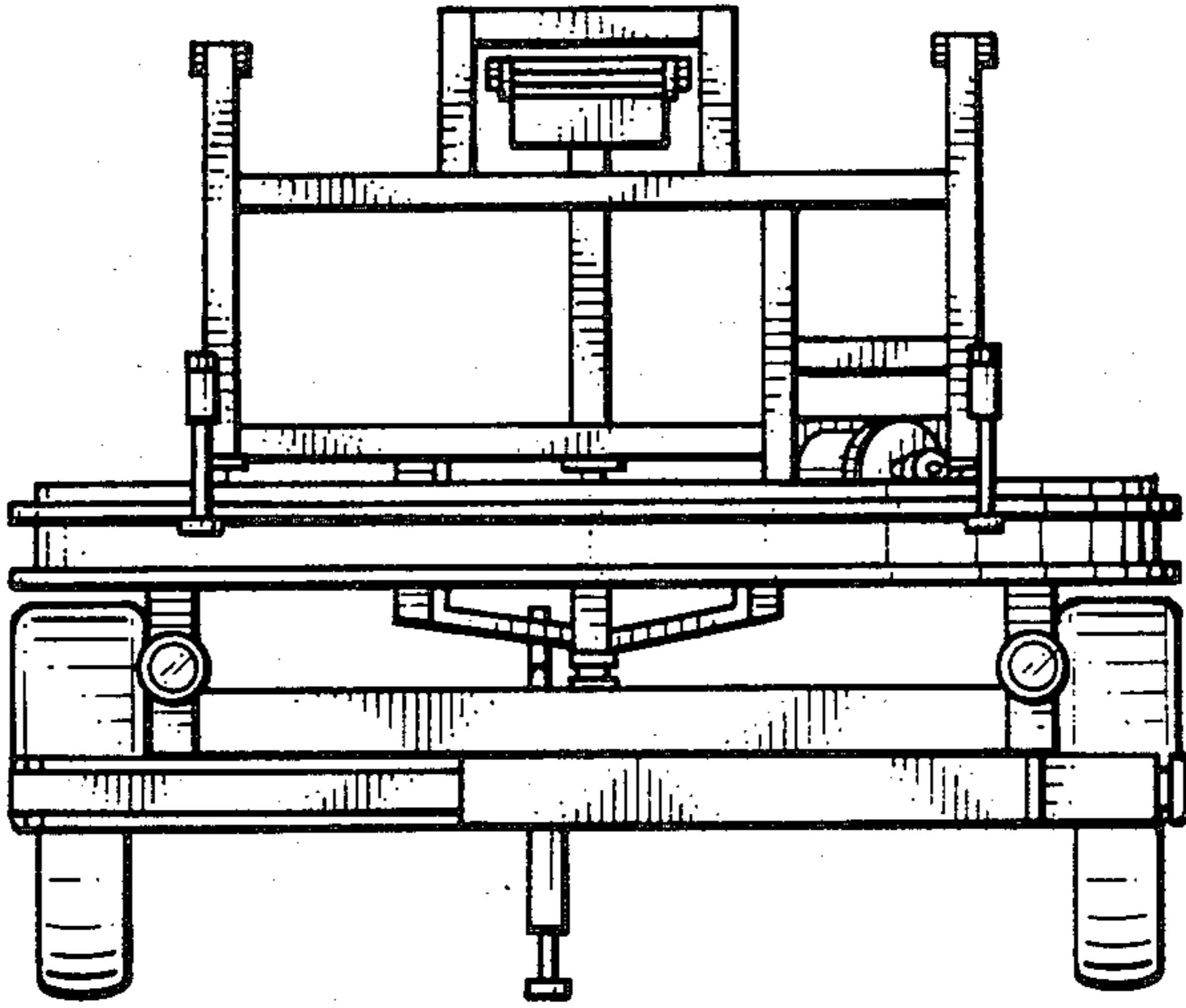


Fig. 5.