

[54] DIGITAL DEPTH METER

[75] Inventors: Rebecca A. Highstreet, Azusa; Raymond G. Shield, West Covina; Nancy A. Jensen, Pasadena, all of Calif.

[73] Assignee: Signet Scientific Co., El Monte, Calif.

[\*\*] Term: 14 Years

[21] Appl. No.: 488,122

[22] Filed: Apr. 25, 1983

[52] U.S. Cl. .... D10/70

[58] Field of Search ..... D10/46, 70; 367/107, 367/108

[56] References Cited

U.S. PATENT DOCUMENTS

D. 191,581	10/1961	Scharfenberg et al. ....	D10/46
D. 198,913	8/1964	Smith .....	D10/81 X
D. 233,152	10/1974	Knutson .....	D10/46
3,588,795	6/1971	Linardos et al. ....	367/108
4,413,518	11/1983	Jones .....	367/108 X

OTHER PUBLICATIONS

Practical Electronics, 5/81, p. 48, Digisounder. Powerboat & Fishing Instruments Buyers Guide, 1982, pp. 43-53, Depth Sounders.

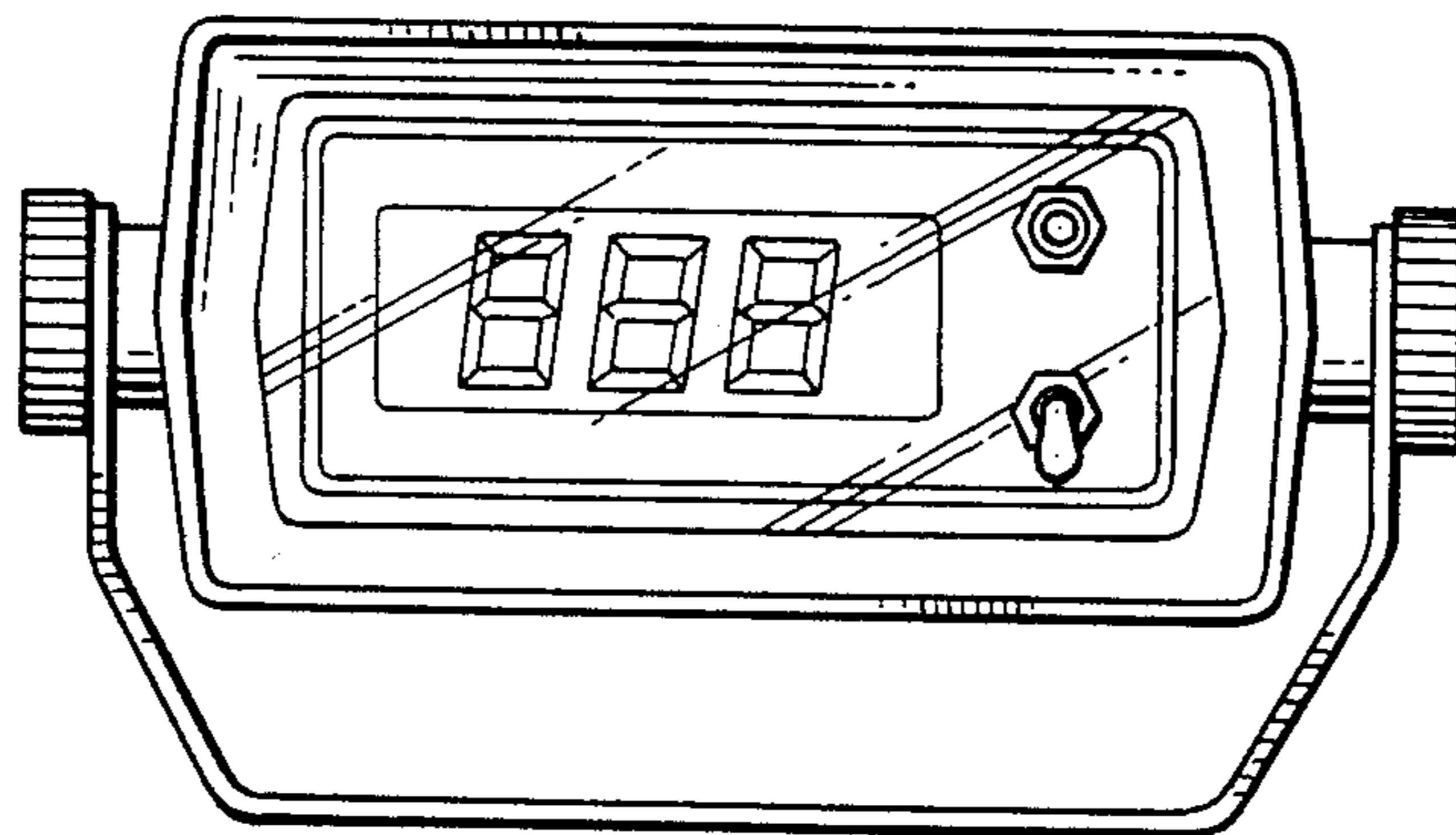
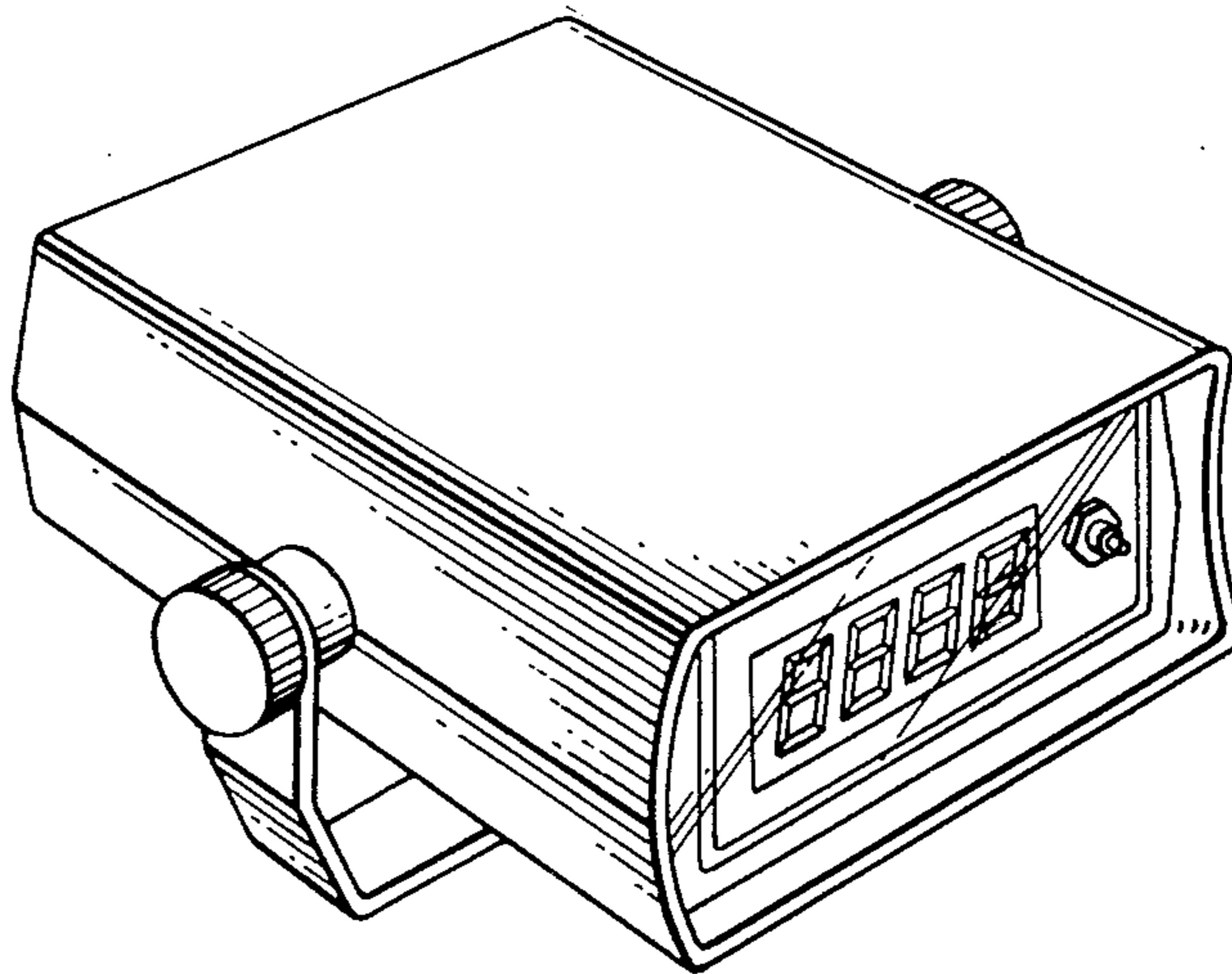
Primary Examiner—Bernard Ansher  
Assistant Examiner—Terry Pfeffer  
Attorney, Agent, or Firm—Pretty, Schroeder, Brueggemann & Clark

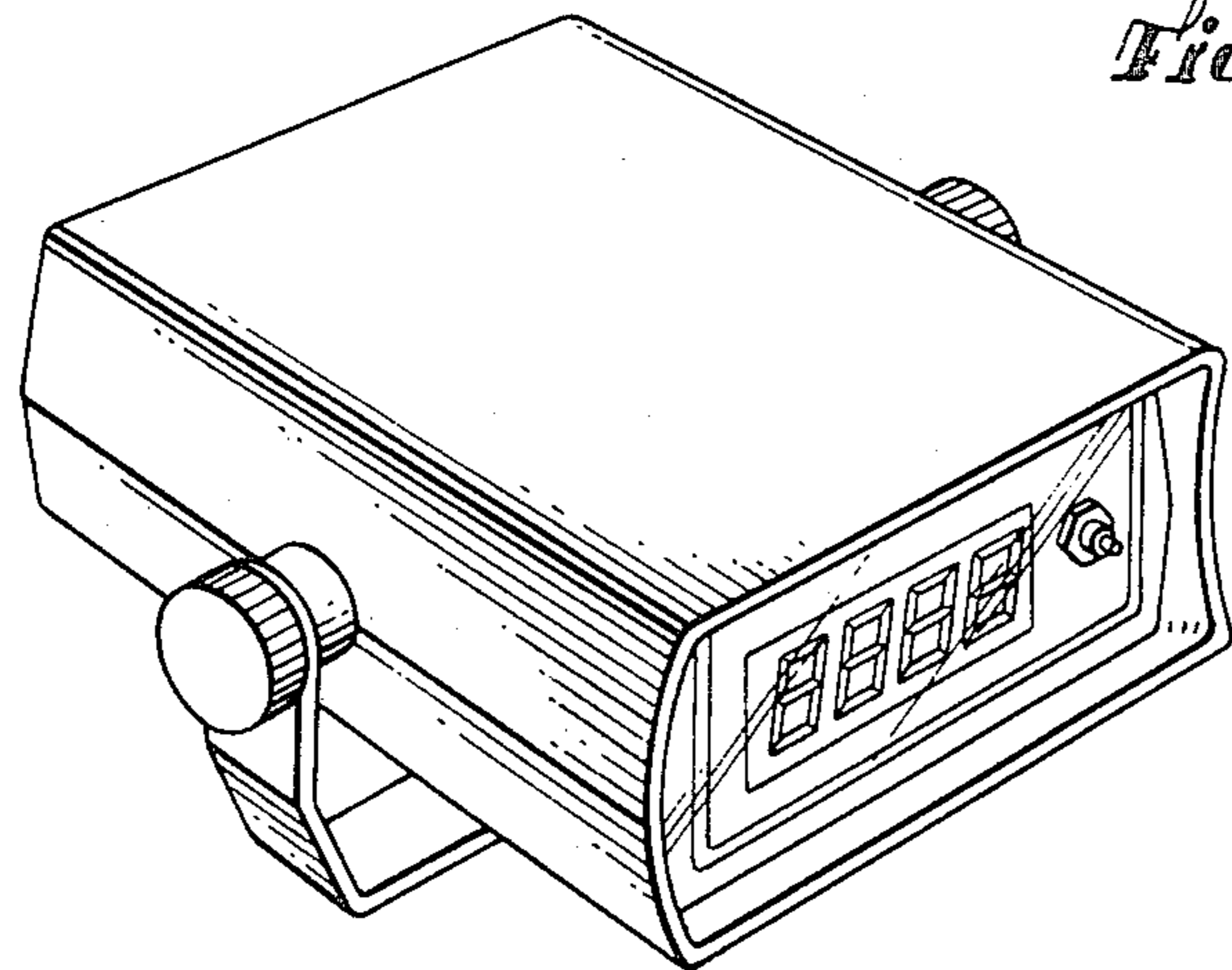
[57] CLAIM

The ornamental design for a digital depth meter, substantially as shown and described.

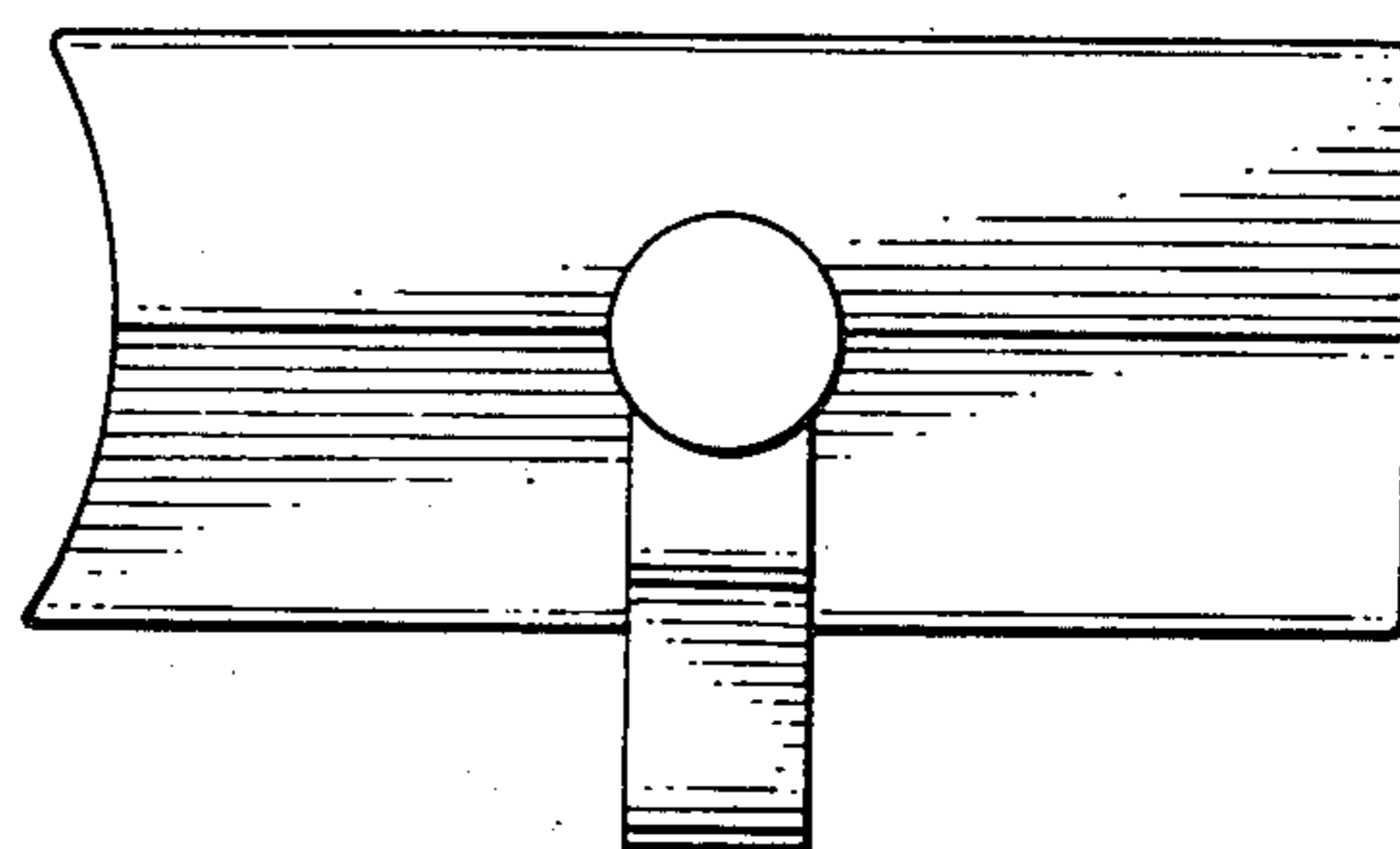
DESCRIPTION

FIG. 1 is a top, front, left side perspective view of a digital depth meter showing our new design; FIG. 2 is a front elevational view thereof; FIG. 3 is a right side elevational view thereof; FIG. 4 is a rear elevational view thereof; FIG. 5 is a top plan view thereof; FIG. 6 is a bottom plan view thereof; FIG. 7 is a front elevational view of a second embodiment of that shown in FIG. 1; and FIG. 8 is a rear elevational view of that shown in FIG. 7.

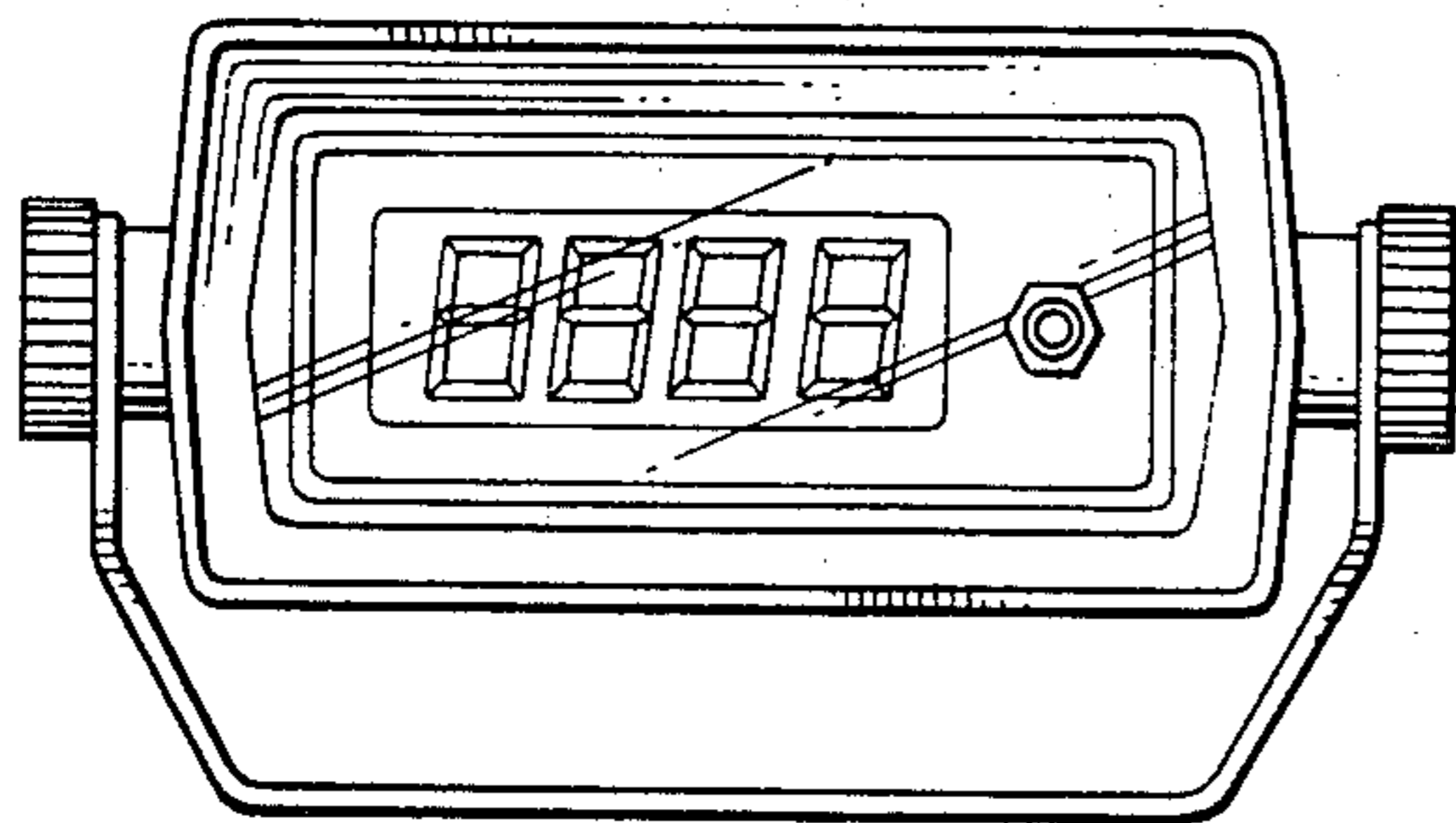




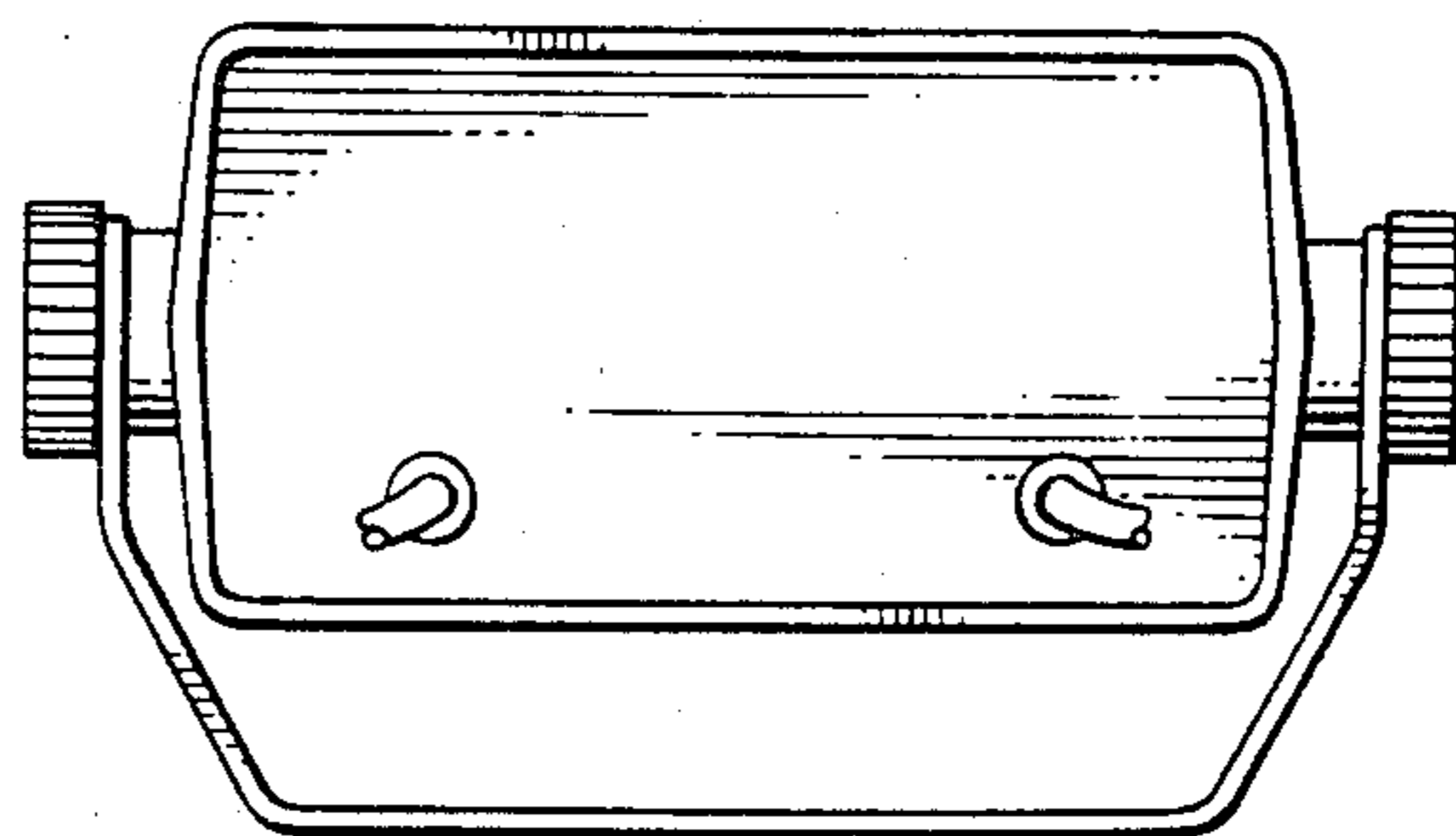
*Fig. 1*



*Fig. 3*

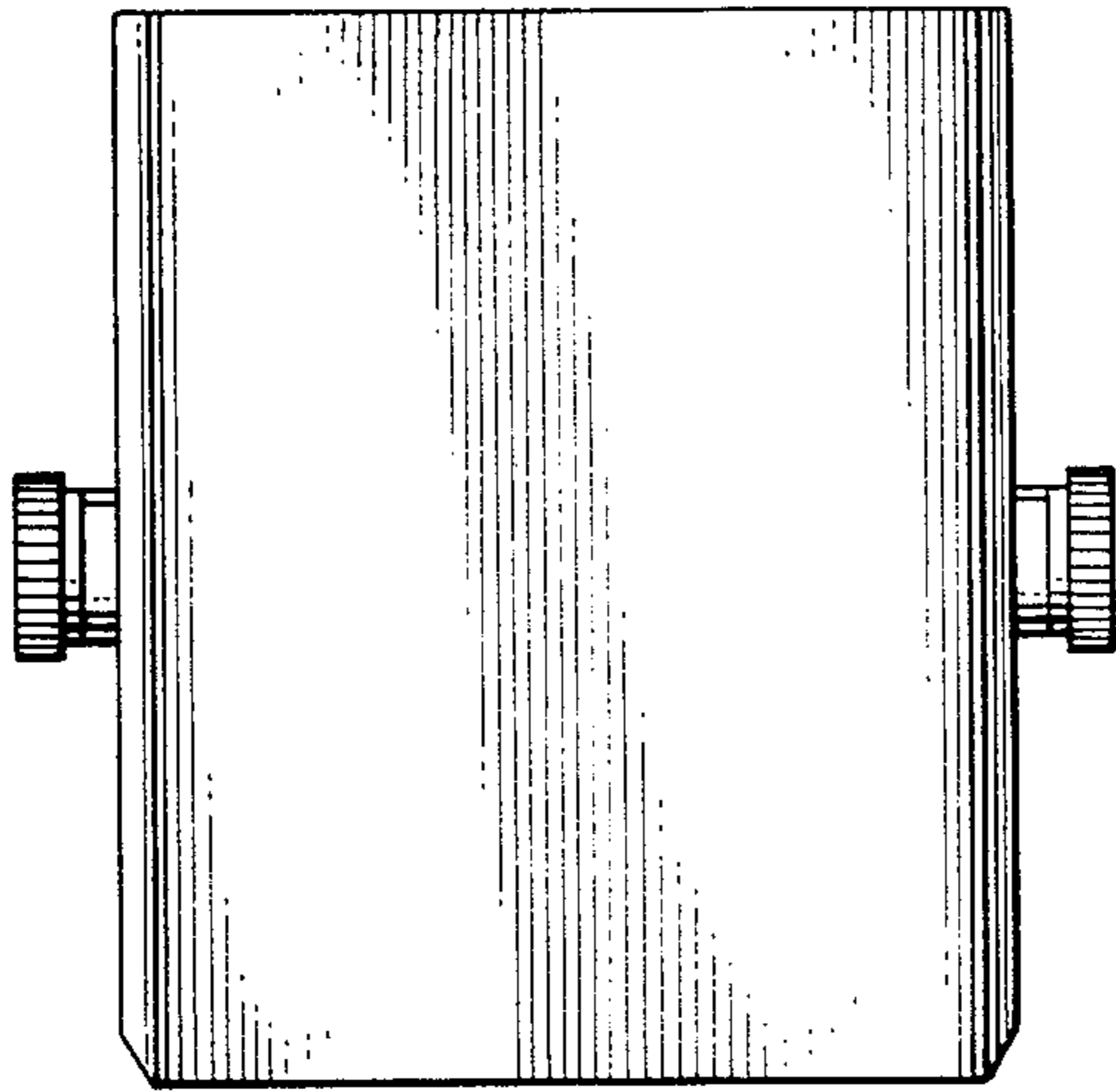


*Fig. 2*

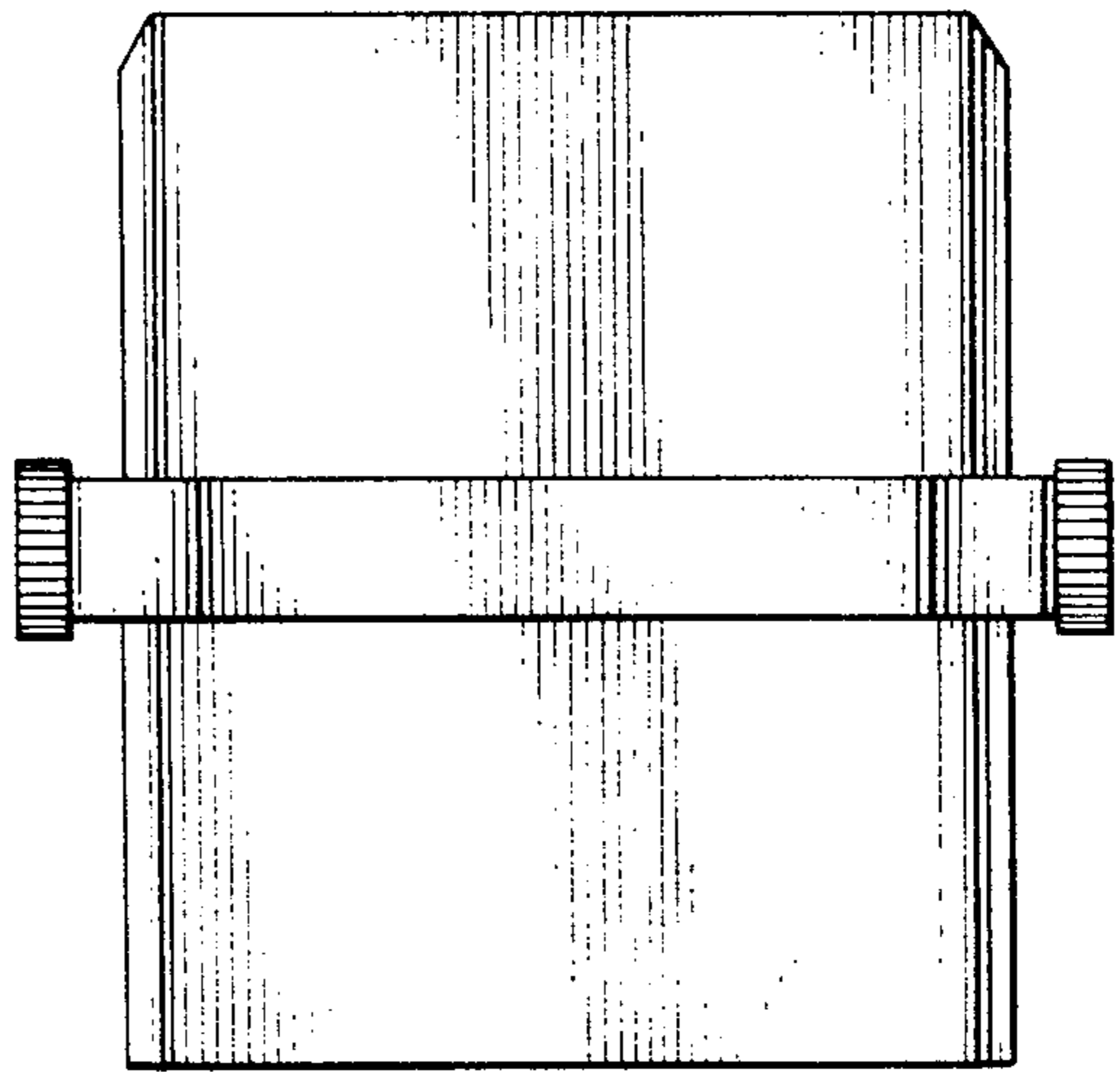


*Fig. 4*

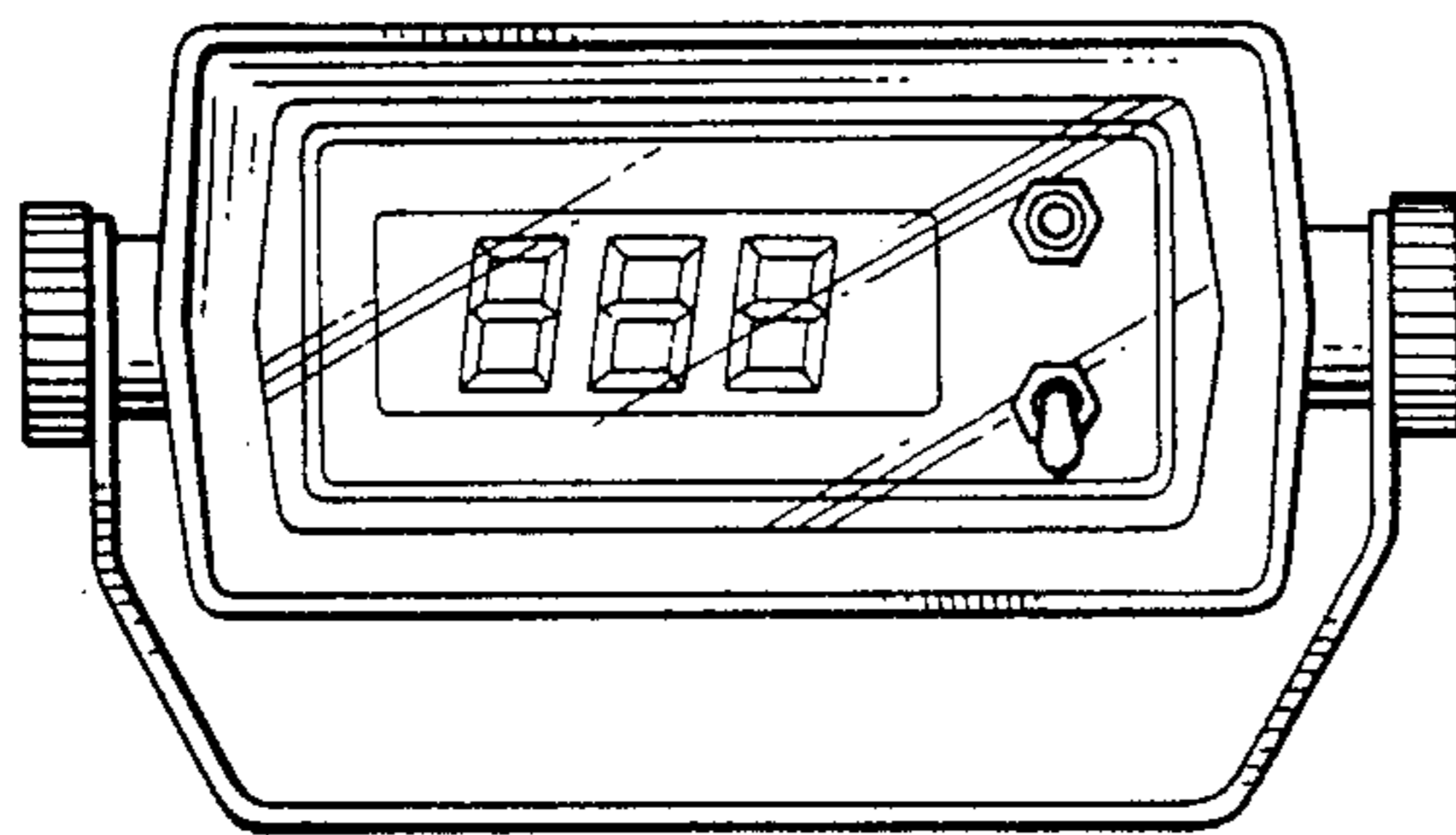
*Fig. 5*



*Fig. 6*



*Fig. 7*



*Fig. 8*

