

[54] **MICROWAVE OVEN**

[75] **Inventors: Hiroshi Fujii; Hiroshi Moritani; Masakazu Sugiyama; Wataru Iwahashi, all of Osaka, Japan**

[73] **Assignee: Sharp Corporation, Osaka, Japan**

[\*\*] **Term: 14 Years**

[21] **Appl. No.: 555,956**

[22] **Filed: Nov. 29, 1983**

[52] **U.S. Cl. .... D7/351**

[58] **Field of Search ..... D7/351; 99/324-327, 99/330, 331; 126/1 R, 19 R, 273 R, 275 R; 219/10.55 R, 10.55 B**

[56] **References Cited**

**U.S. PATENT DOCUMENTS**

- D. 266,642 10/1982 Harada et al. .... D7/351
- D. 268,079 3/1983 Miyake et al. .... D7/351
- D. 268,081 3/1983 Haruguchi et al. .... D7/351

D. 269,149 5/1983 Miyake et al. .... D7/351

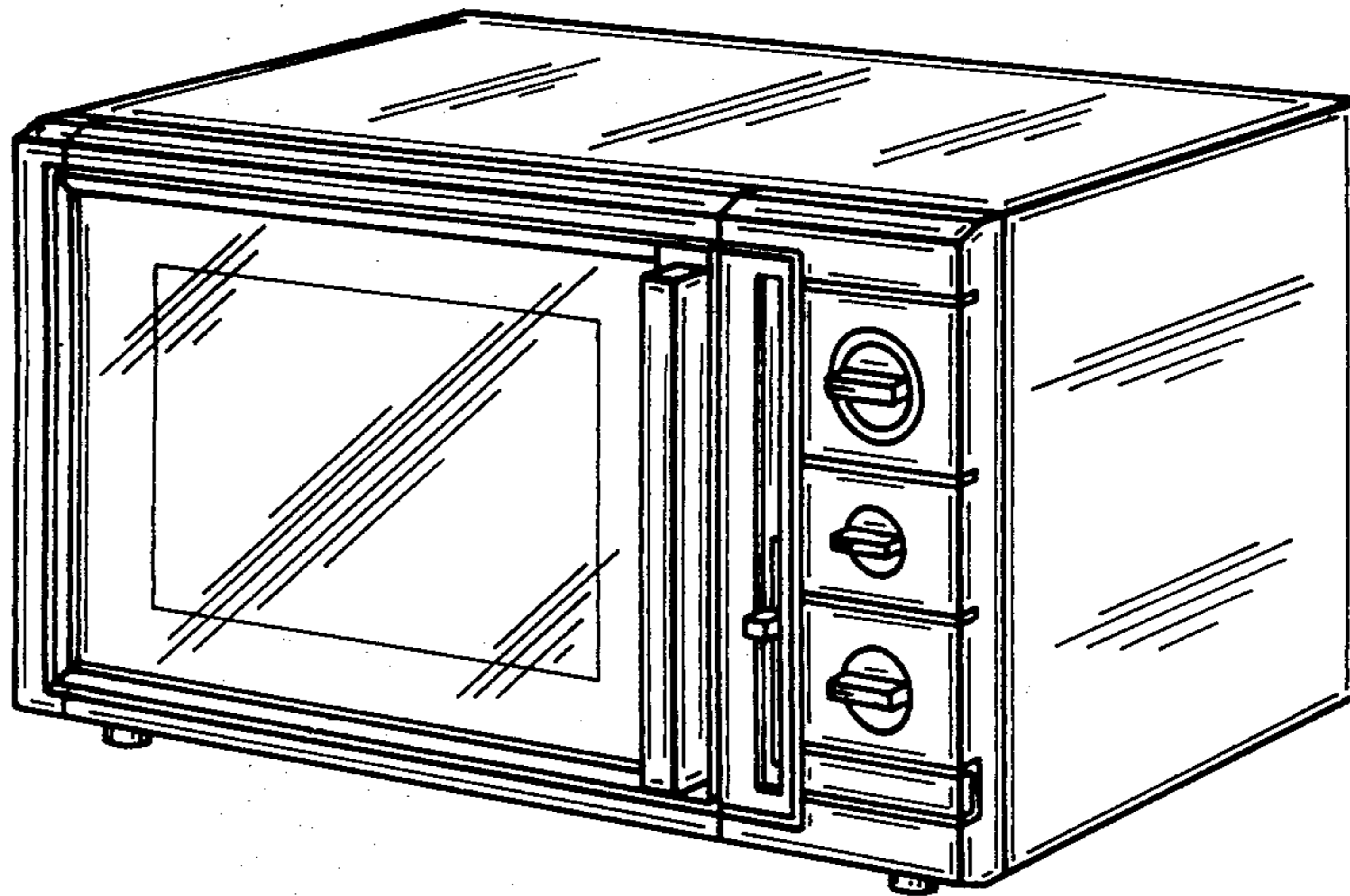
*Primary Examiner*—Wallace R. Burke  
*Assistant Examiner*—Lynn Wilder  
*Attorney, Agent, or Firm*—Flehr, Hohbach, Test, Albritton & Herbert

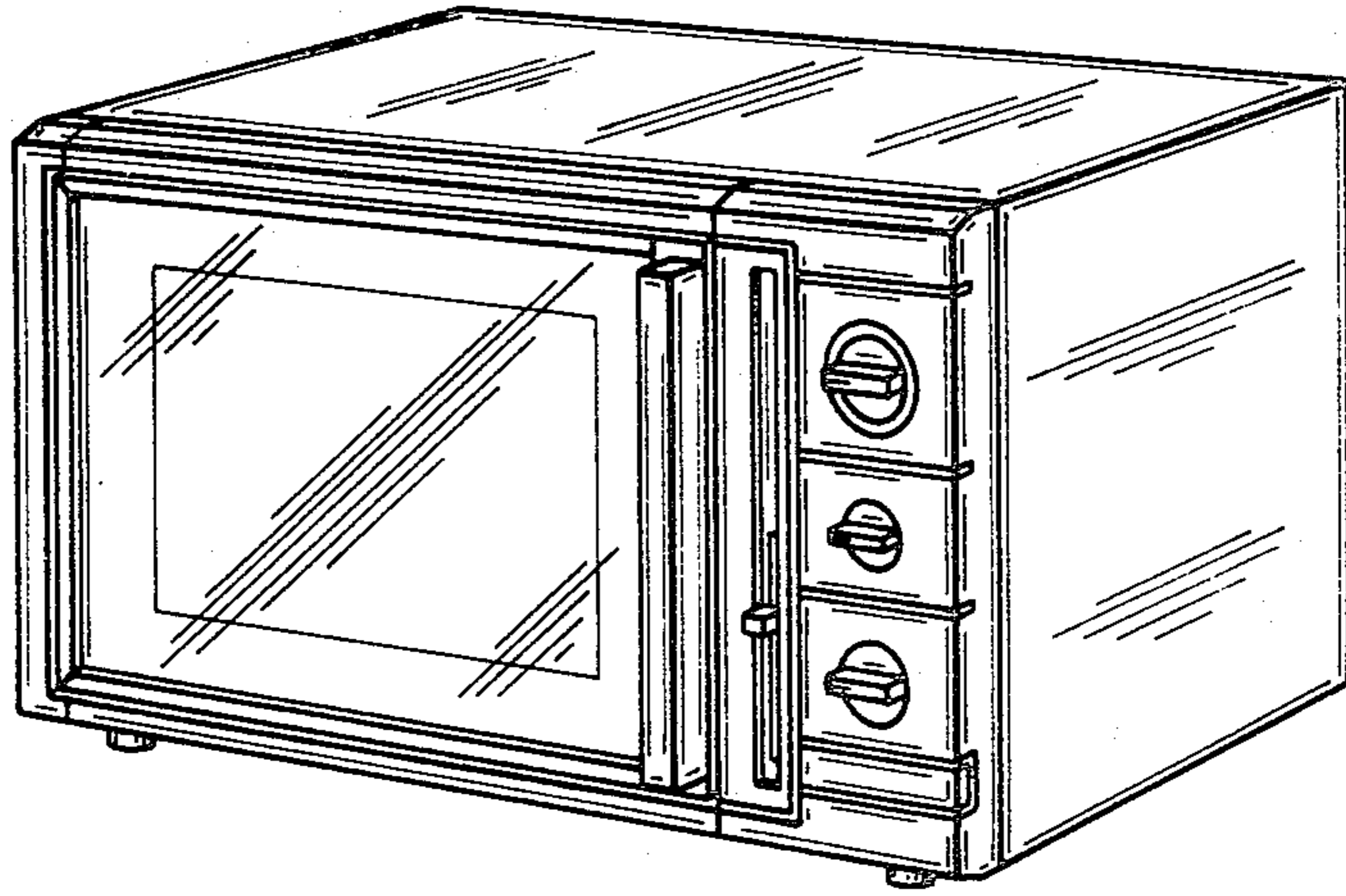
[57] **CLAIM**

The ornamental design for a microwave oven, as shown and described.

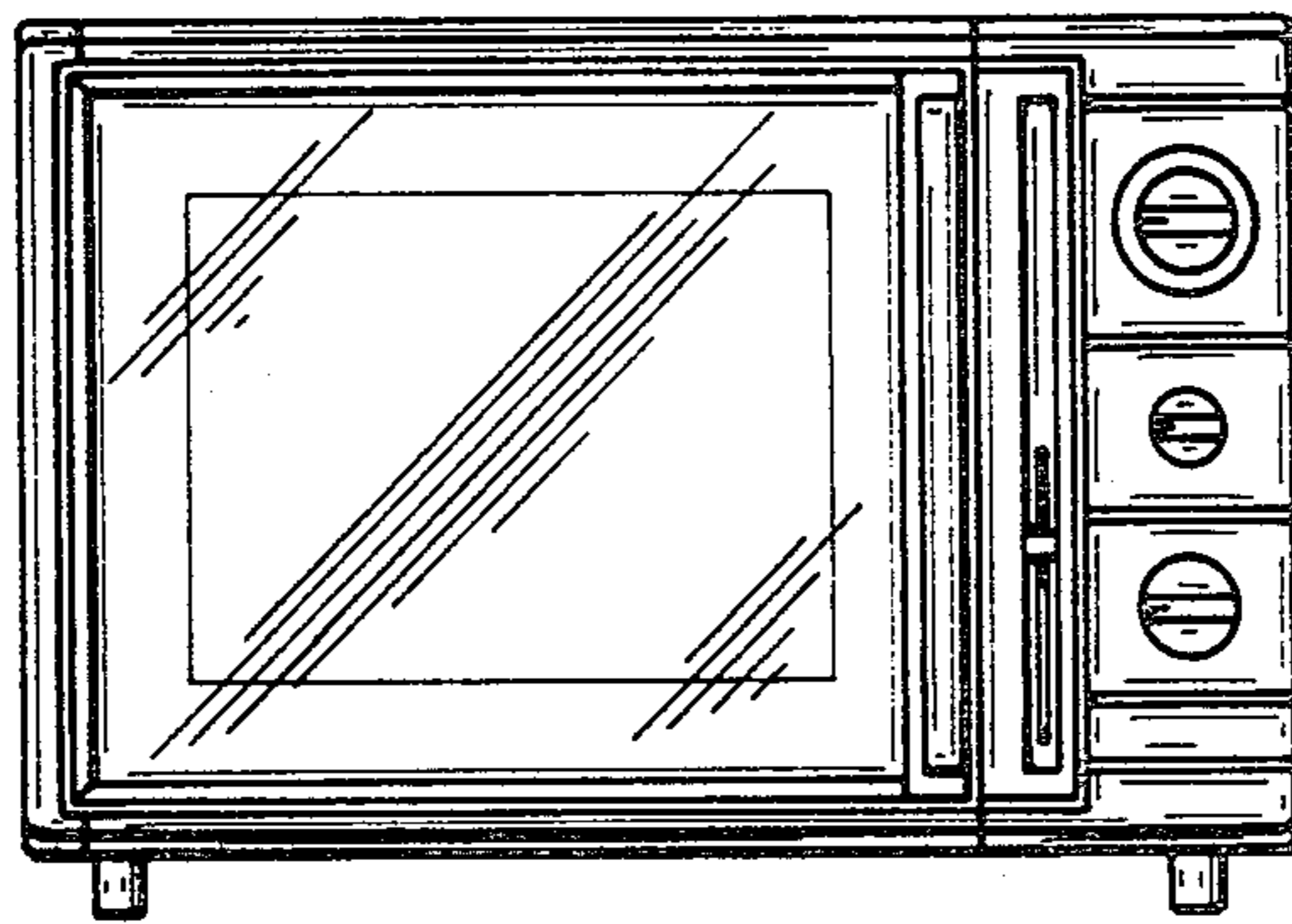
**DESCRIPTION**

FIG. 1 is a perspective view of the microwave oven showing our new design;  
 FIG. 2 is a front elevational view thereof with the door closed;  
 FIG. 3 is a front elevational view thereof with the door open;  
 FIG. 4 is a rear elevational view thereof;  
 FIG. 5 is a bottom plan view thereof;  
 FIG. 6 is a top plan view thereof;  
 FIG. 7 is a left side elevational view thereof; and  
 FIG. 8 is a right side elevational view thereof.

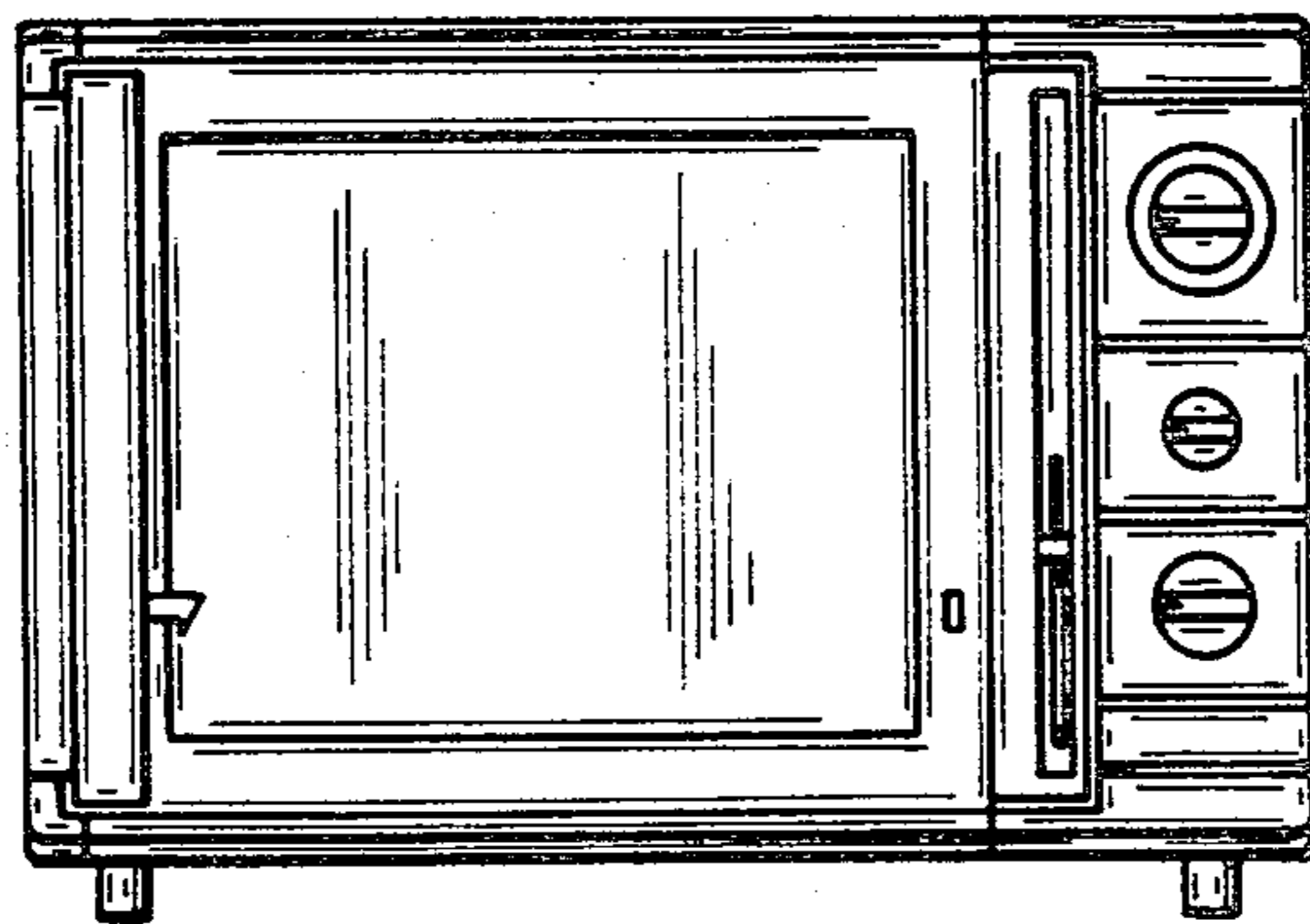




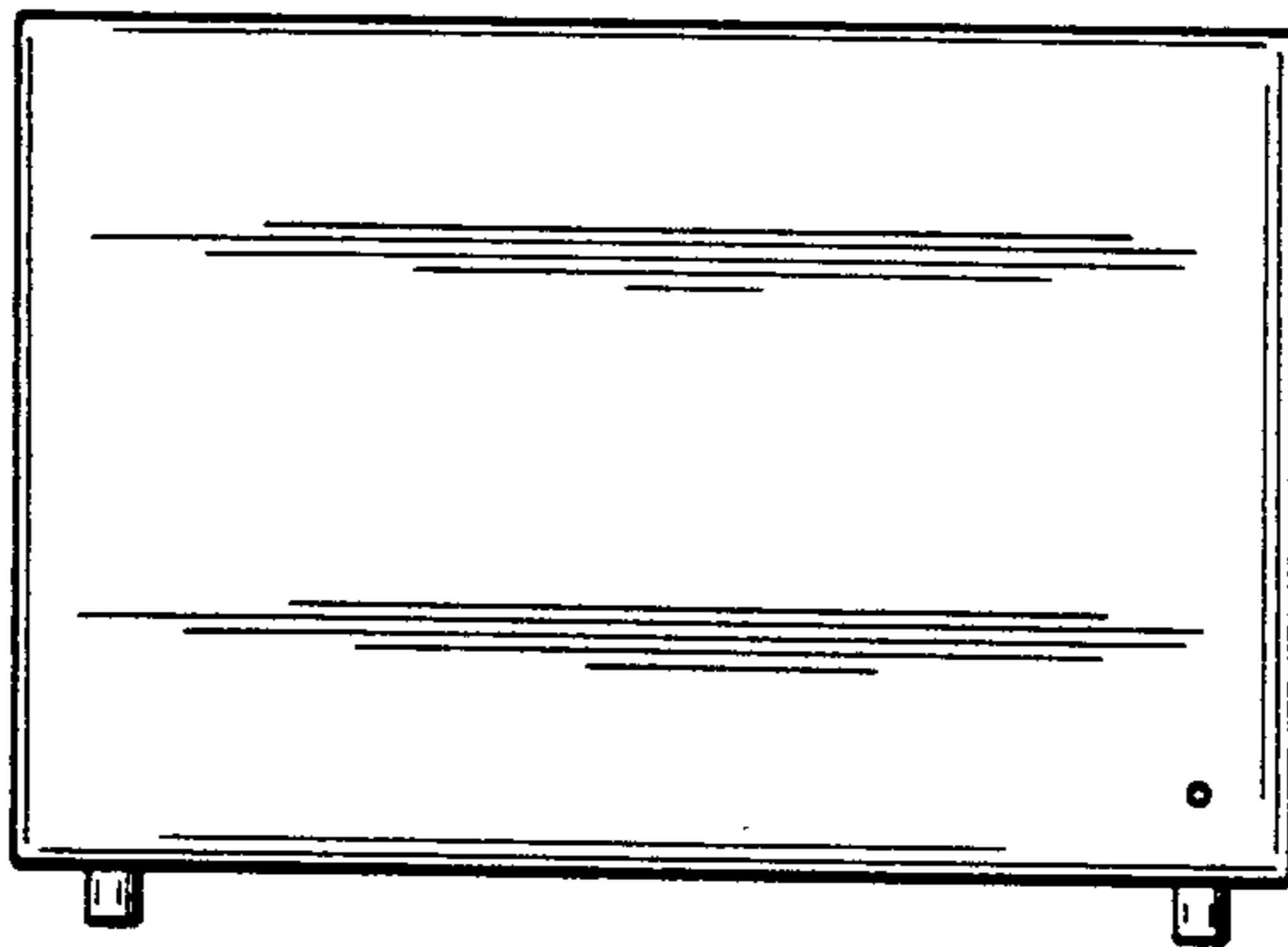
**FIG\_1**



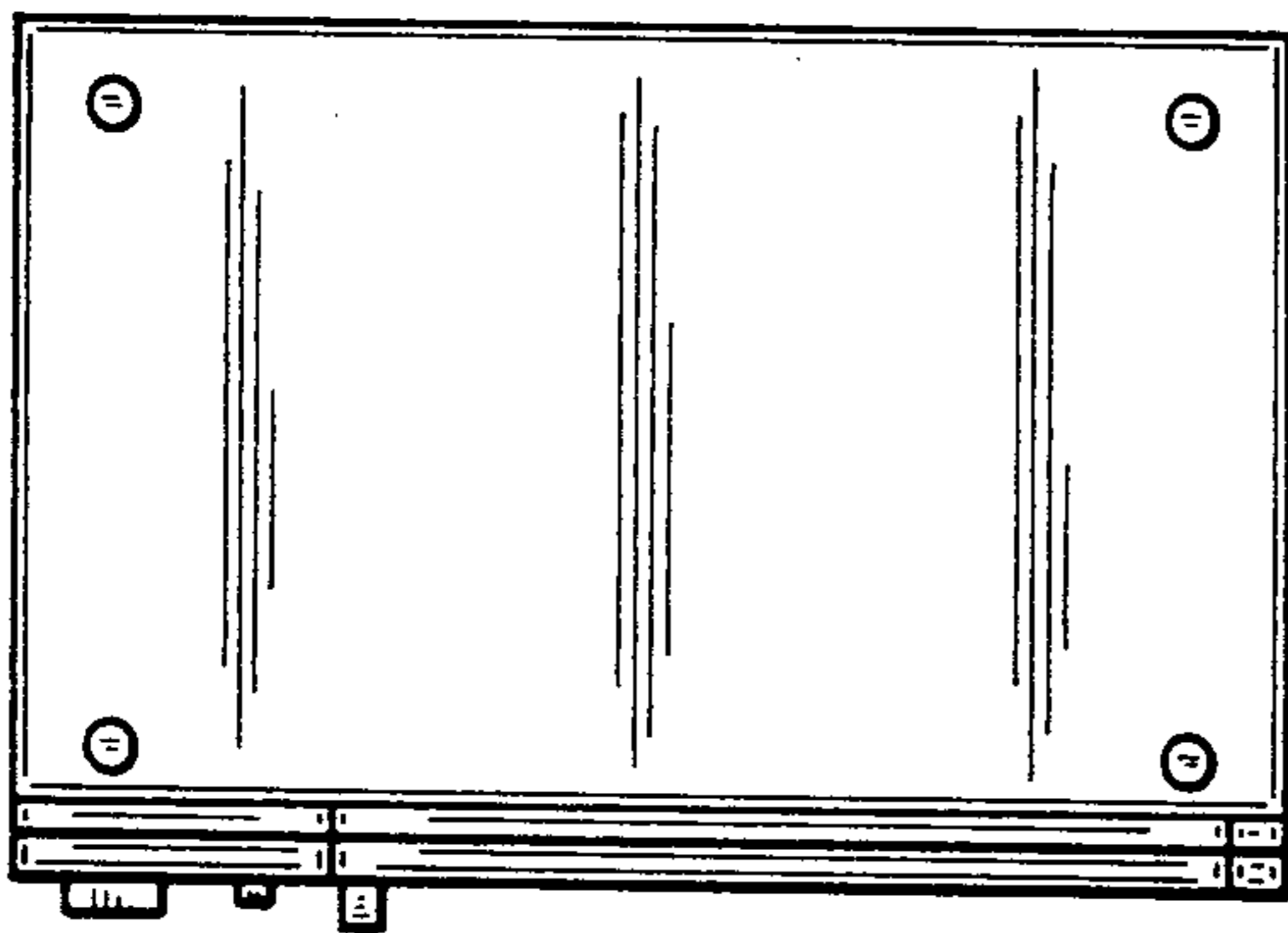
**FIG\_2**



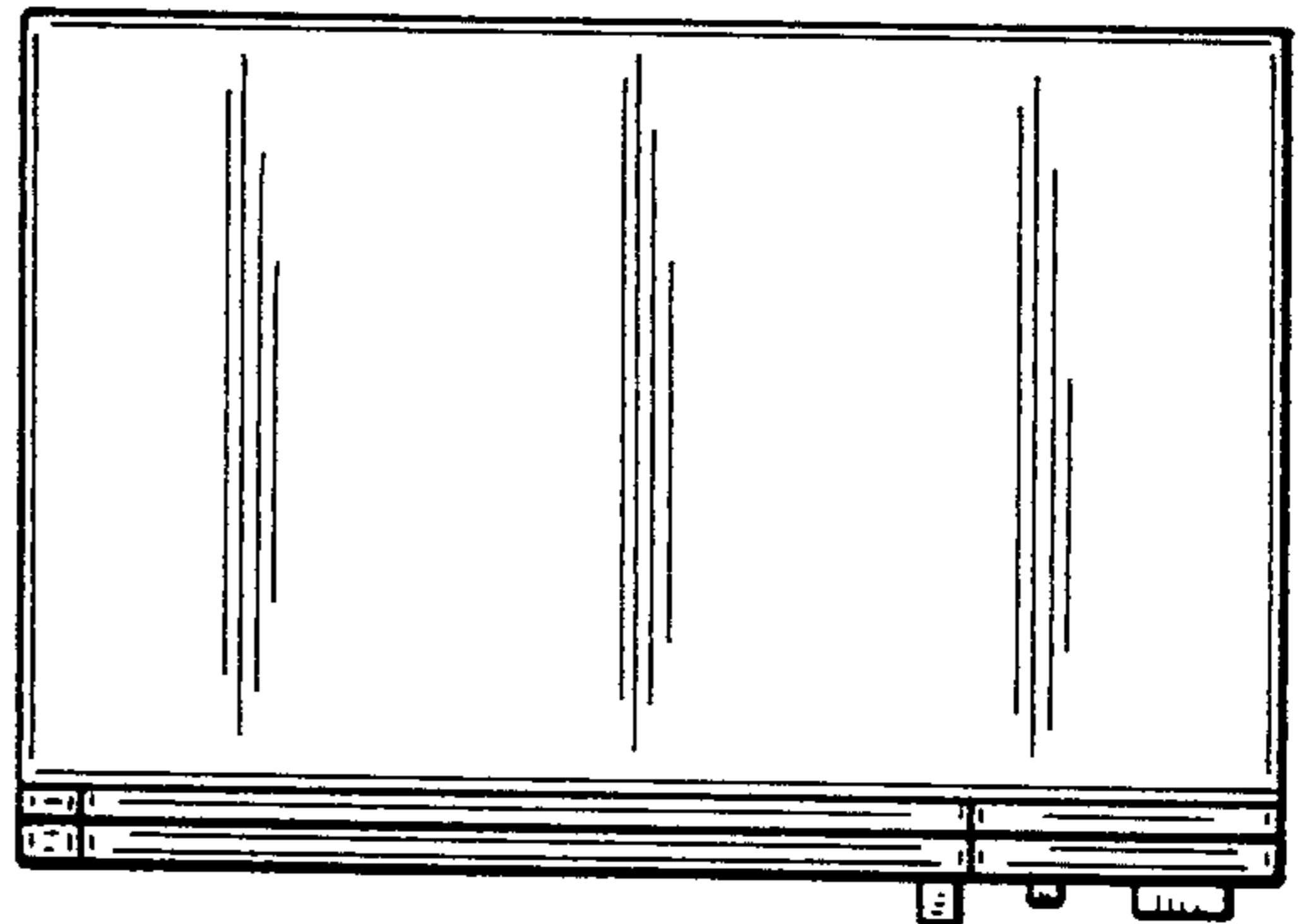
**FIG\_3**



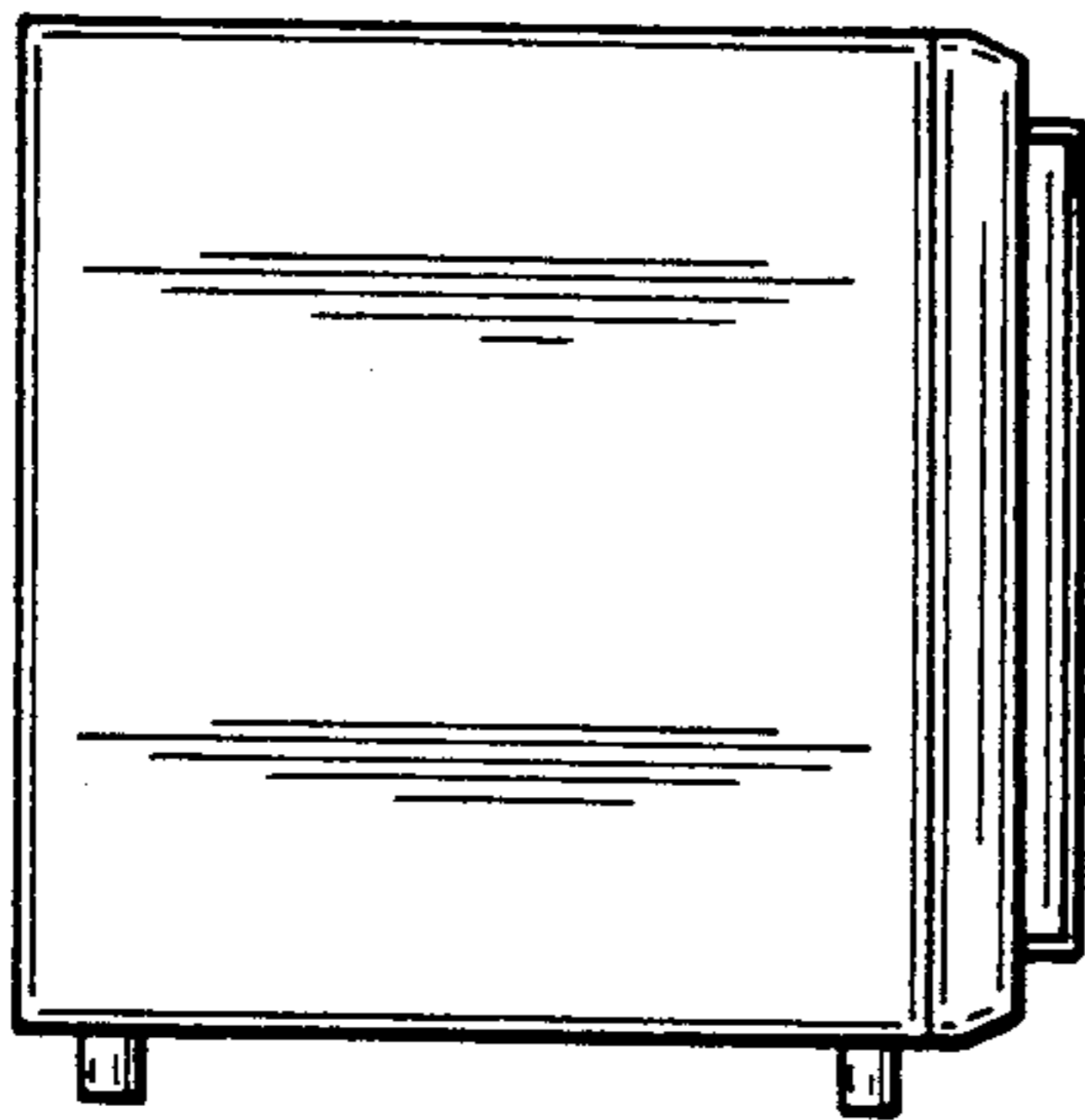
**FIG\_4**



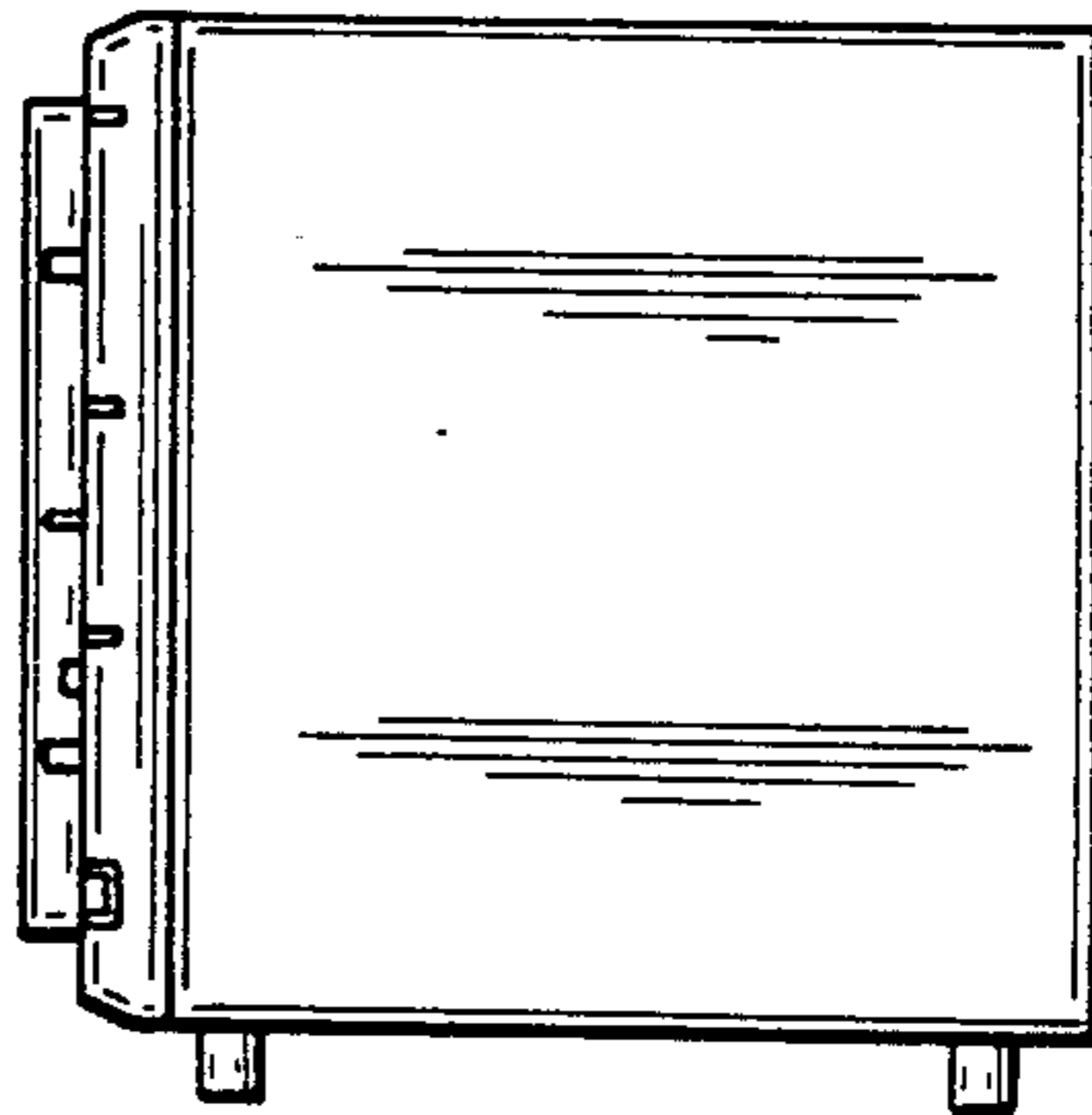
**FIG\_5**



**FIG\_6**



**FIG\_7**



**FIG\_8**