

[54] BEVERAGE DISPENSER OR THE LIKE

[76] Inventor: Yung-Kuan Wei, No. 196 Yen Tien Li  
An Nan District, Tainan, Taiwan

[\*\*] Term: 14 Years

[21] Appl. No.: 475,558

[22] Filed: Mar. 15, 1983

[52] U.S. Cl. .... D7/301; D7/313;  
D21/157

[58] Field of Search ..... D11/136, 158; D7/77,  
D7/300, 301, 5, 80, 313; D21/157; D9/310

[56] References Cited

U.S. PATENT DOCUMENTS

- D. 191,171 8/1961 Morgan ..... D21/157
- D. 191,496 10/1961 Damiani ..... D21/157 X
- D. 253,668 12/1979 Takasaka ..... D21/157
- D. 262,392 12/1981 Murasaki ..... D21/157
- 4,320,856 3/1982 Stewart et al. .... D7/77 X

OTHER PUBLICATIONS

Hong Kong Enterprise, vol. 12, 1980, p. 78, Item J50L,

J50AL, top left Insulated Water Jug/Freezin Hot Bot-  
tle Co.

Avon Products Inc., p. 76, Campaign 24-1973, Wiggley  
Game and Bubble Bath Holder-Octopus shape.

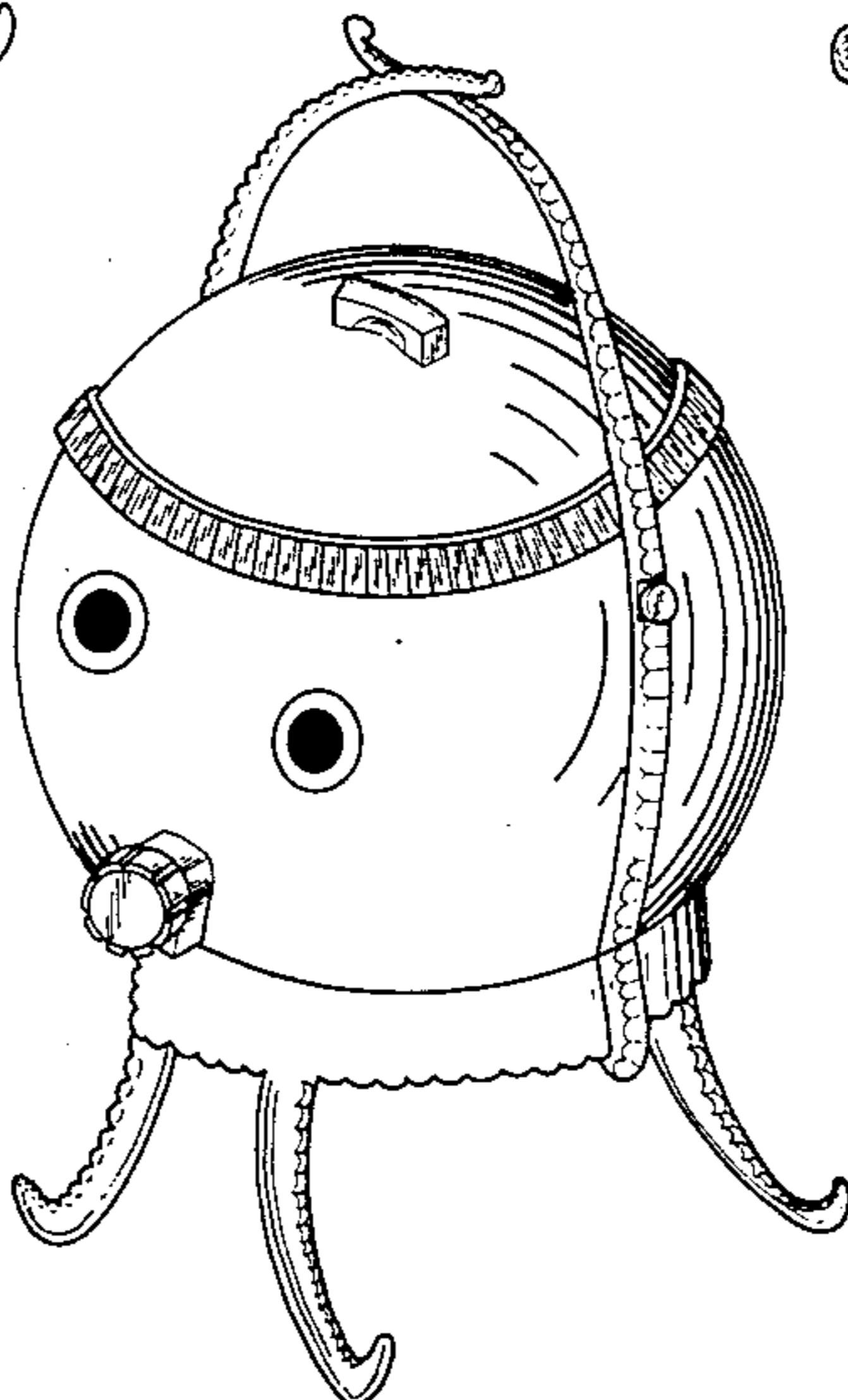
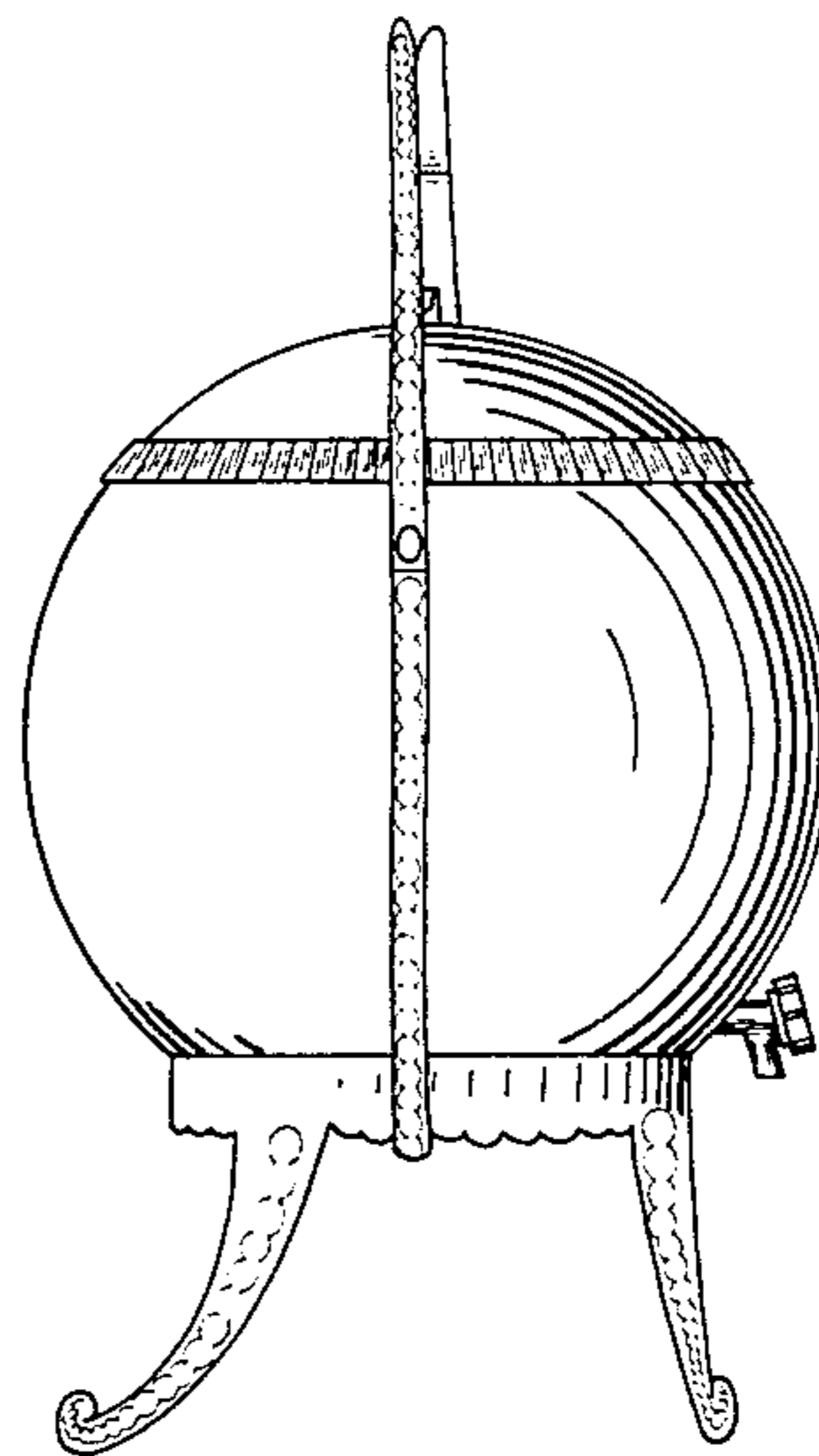
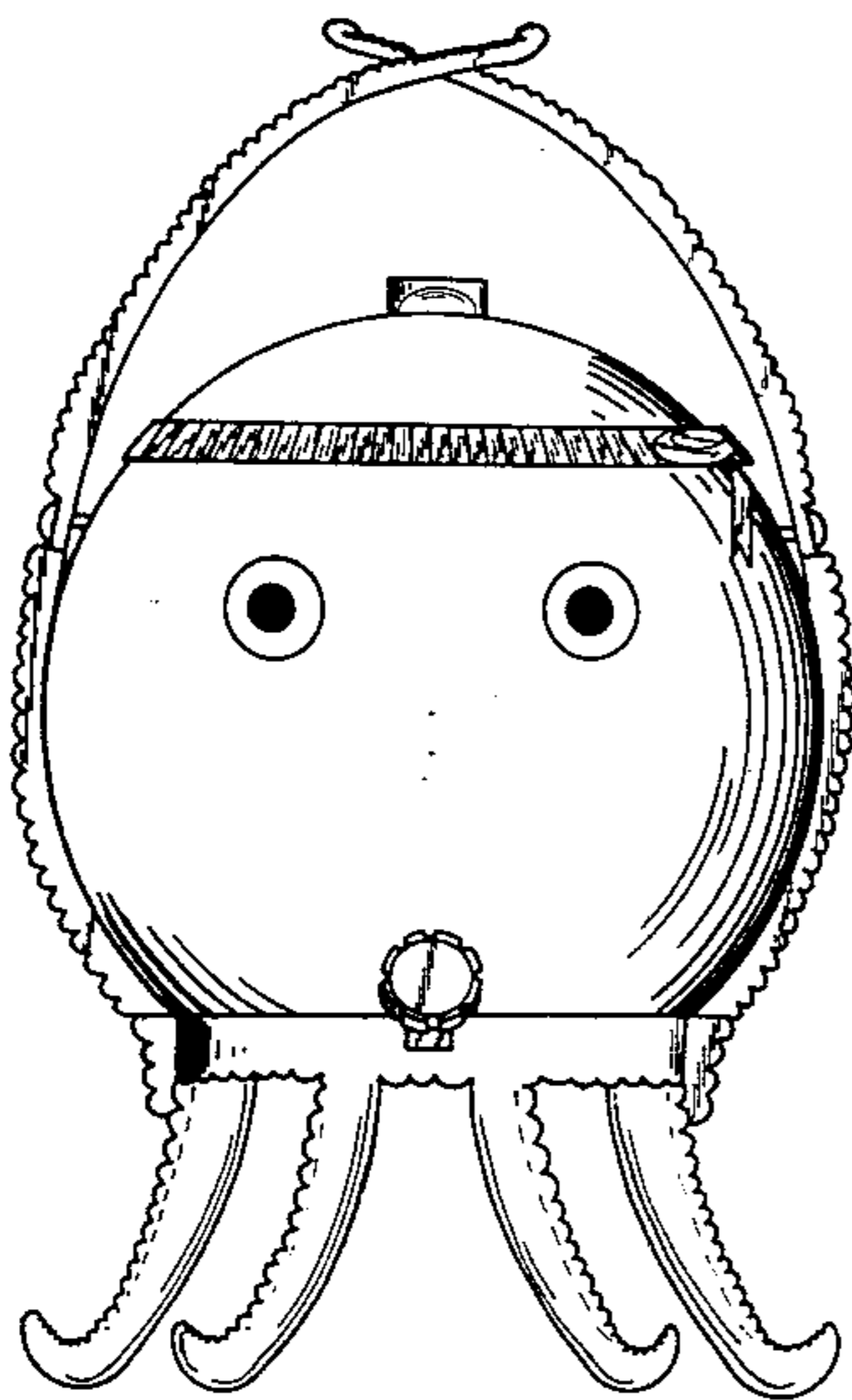
Primary Examiner—Winifred E. Herrmann  
Attorney, Agent, or Firm—Holman & Stern

[57] CLAIM

The ornamental design for a beverage dispenser or the  
like, as shown and described.

DESCRIPTION

FIG. 1 is a front elevational view of a beverage dis-  
penser or the like showing my new design;  
FIG. 2 is a right side elevational view thereof;  
FIG. 3 is a rear elevational view thereof;  
FIG. 4 is a left side elevational view thereof;  
FIG. 5 is a top plan view thereof;  
FIG. 6 is a bottom plan view thereof; and  
FIG. 7 is a top, front and right side perspective view  
thereof.



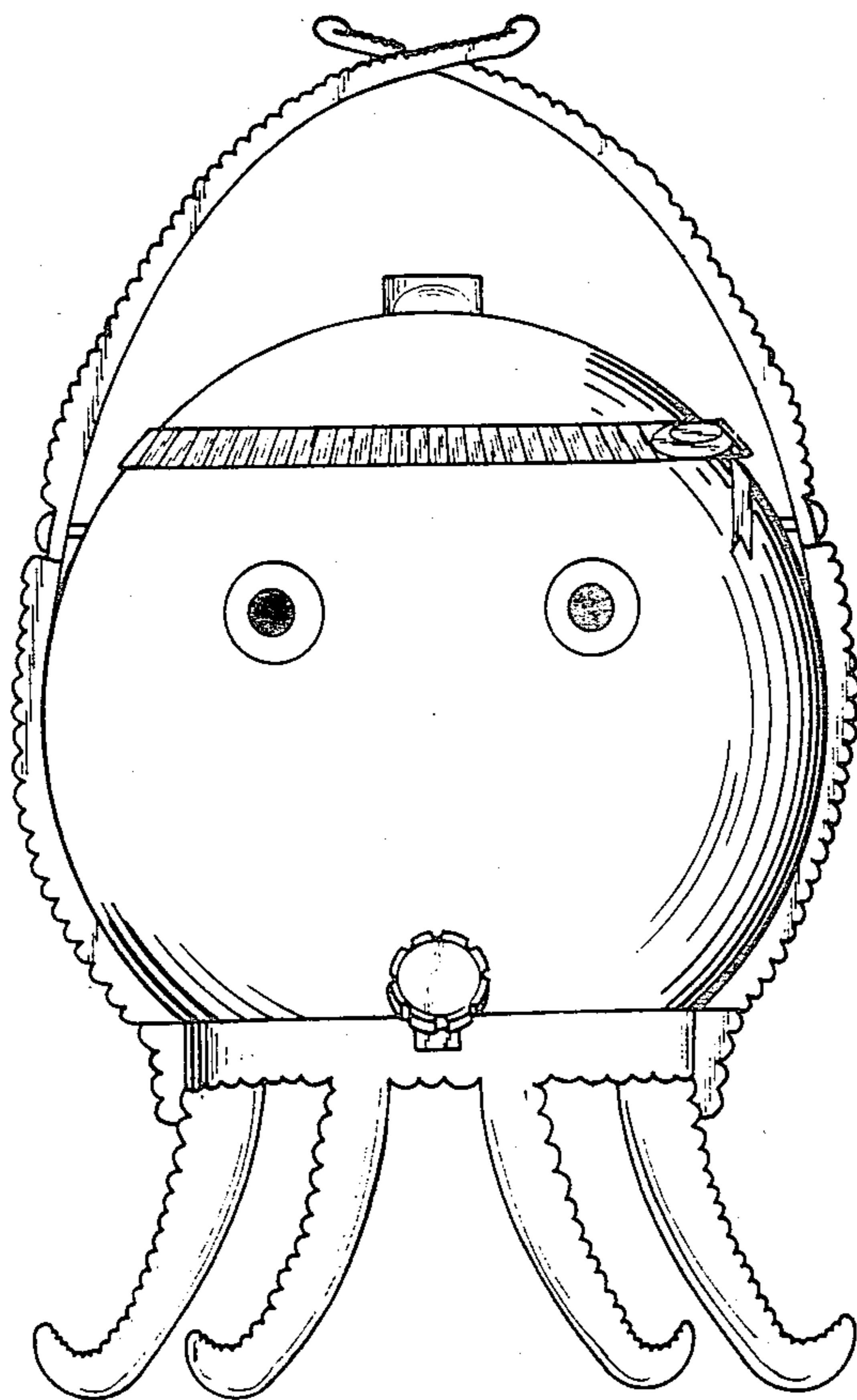


Fig: 1

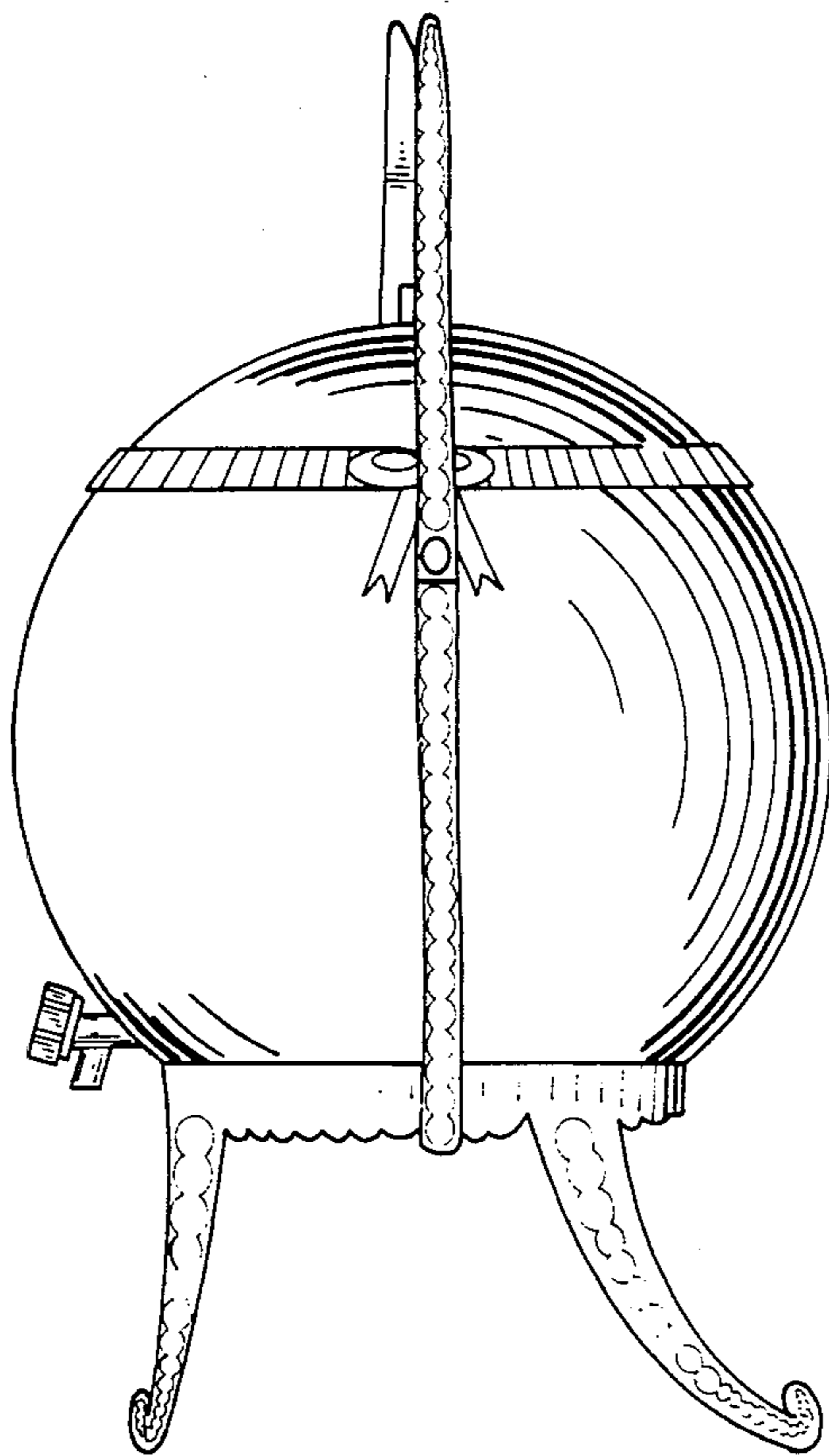


Fig. 2

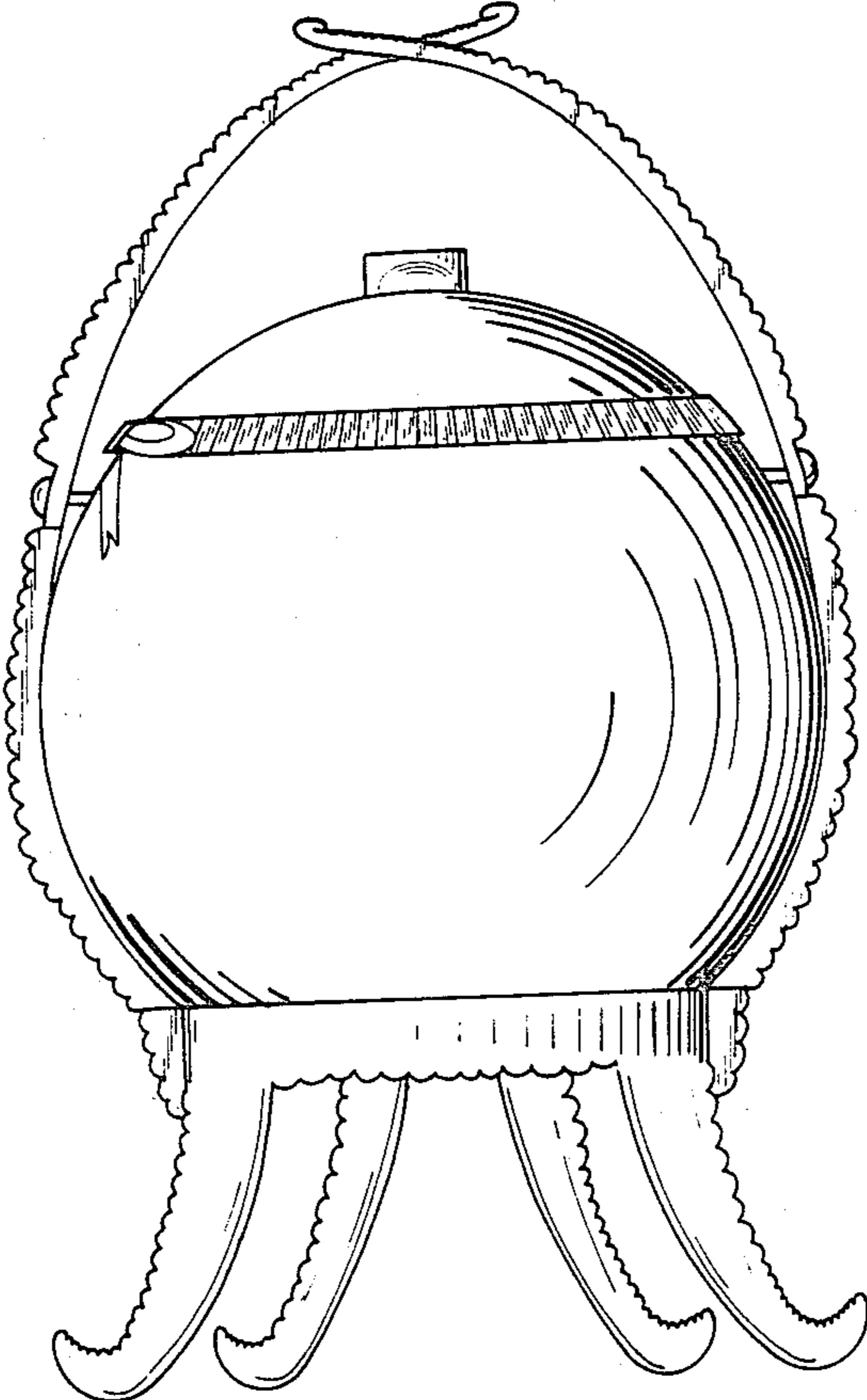


Fig : 3

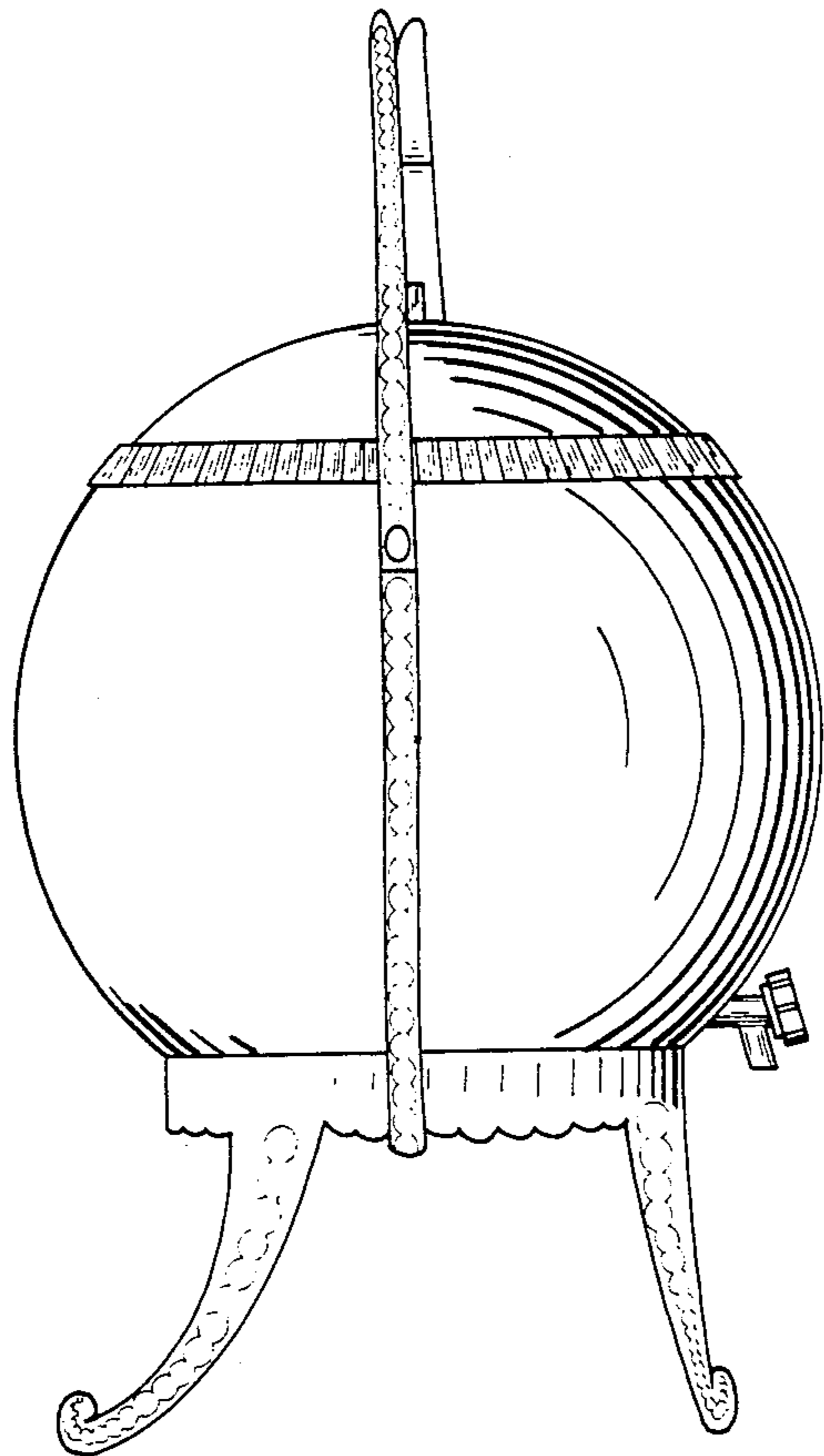


Fig: 4



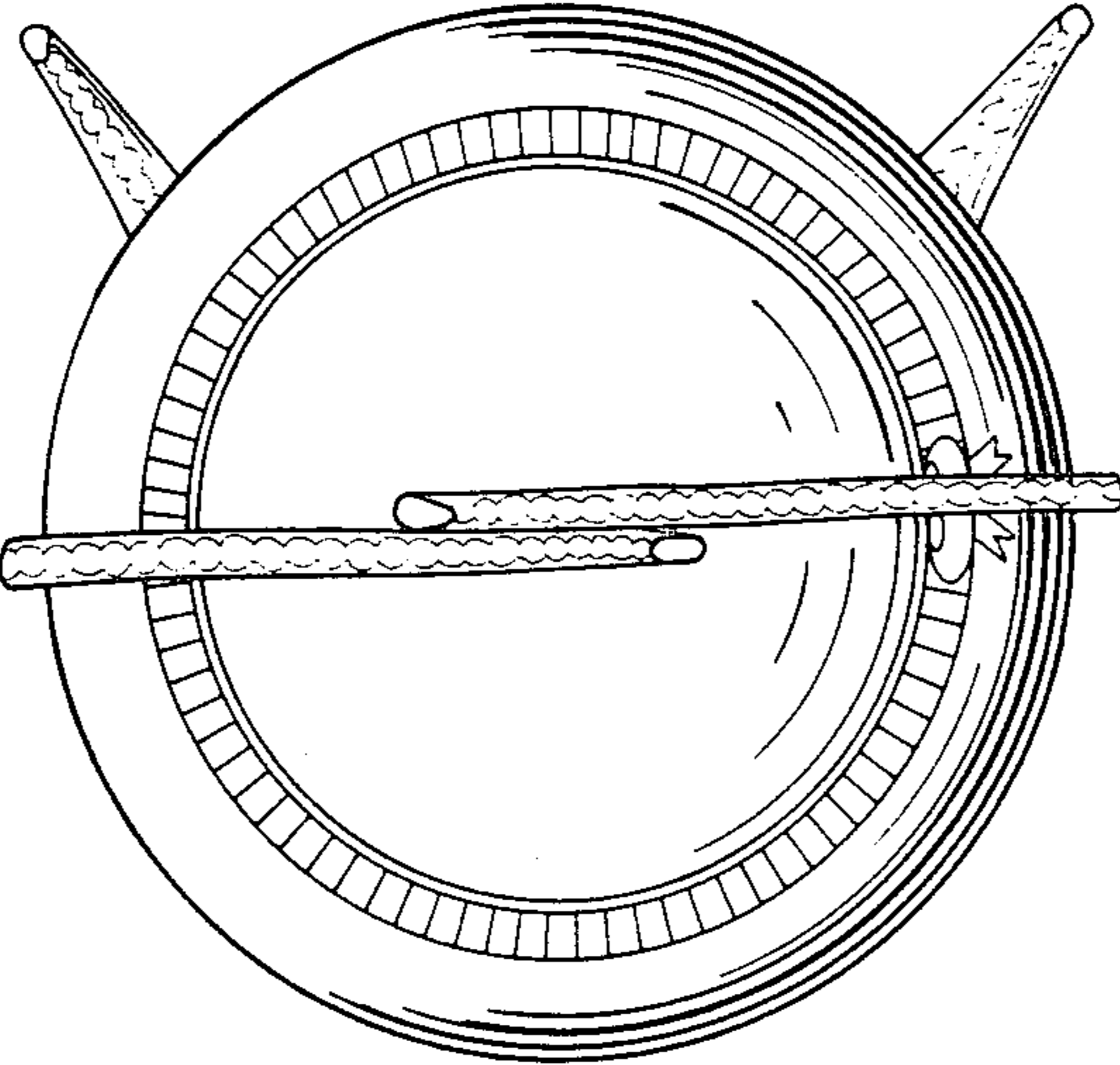


Fig. 5

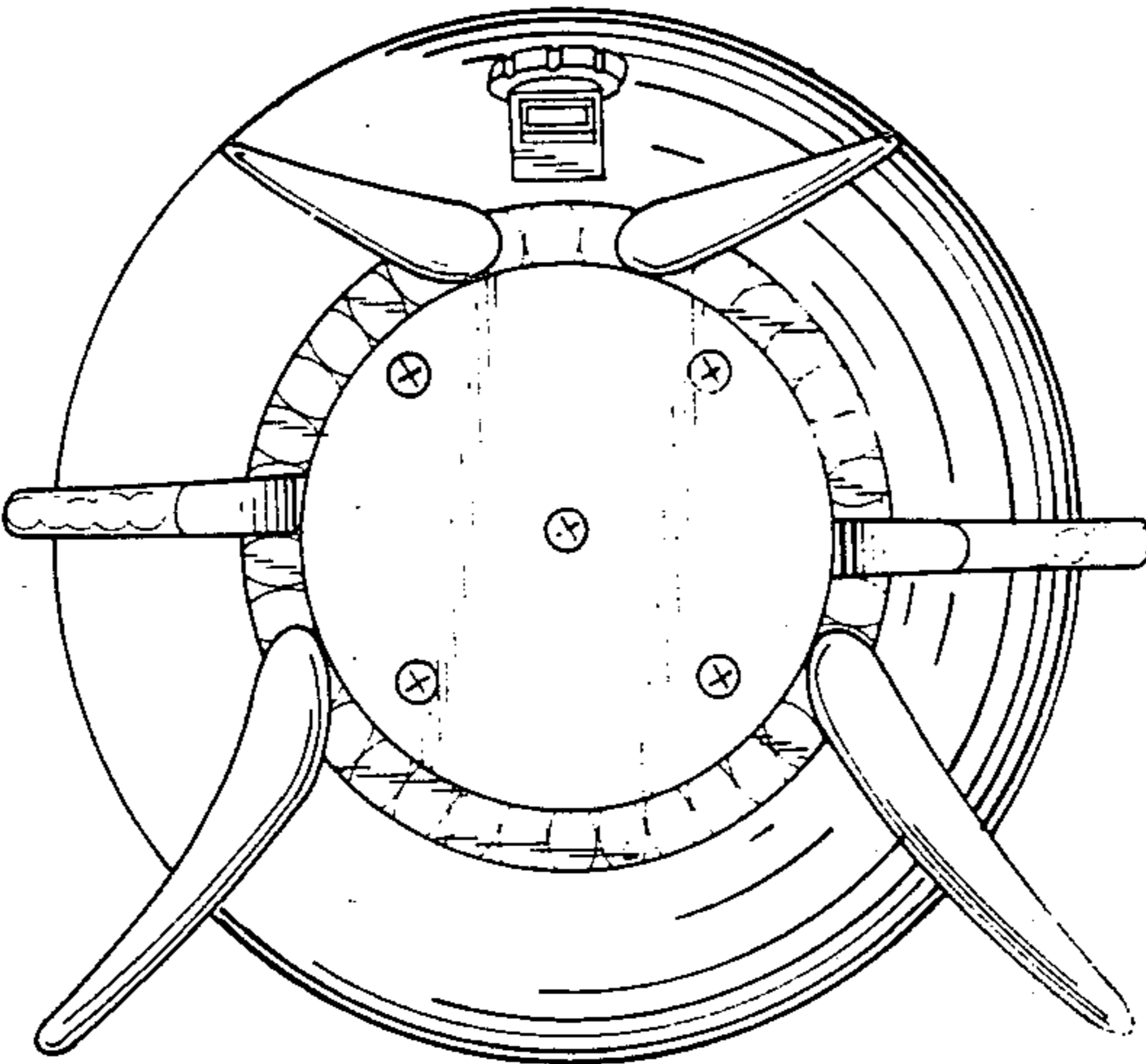


Fig. 6

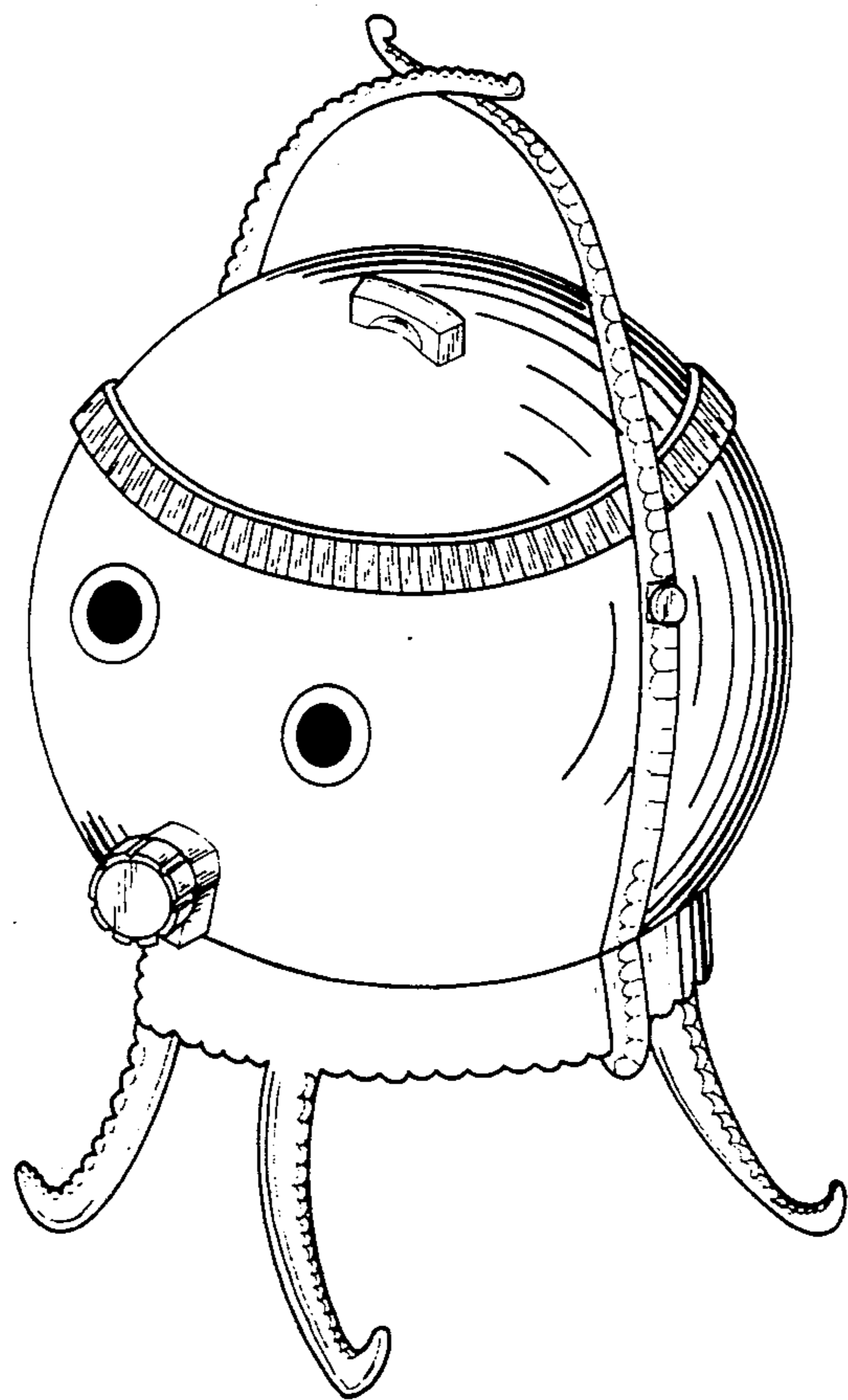


Fig : 7