

[54] **TABLE**

[75] **Inventor: Richard G. Brown, High Point, N.C.**

[73] **Assignee: Null Manufacturing Corporation, Maiden, N.C.**

[**] **Term: 14 Years**

[21] **Appl. No.: 427,451**

[22] **Filed: Sep. 29, 1982**

[52] **U.S. Cl. D6/477; D6/480; D6/484**

[58] **Field of Search D6/480, 481, 482, 483, D6/484, 485, 486, 487, 488, 489**

[56] **References Cited
PUBLICATIONS**

Furniture South, Apr. 1973, p. 5, Table lower center by Laun.

Furniture South, Apr. 1973, p. 80, 9157 Group, Table at center.

Primary Examiner—Bruce W. Dunkins

Attorney, Agent, or Firm—Bell, Seltzer, Park & Gibson

[57] **CLAIM**

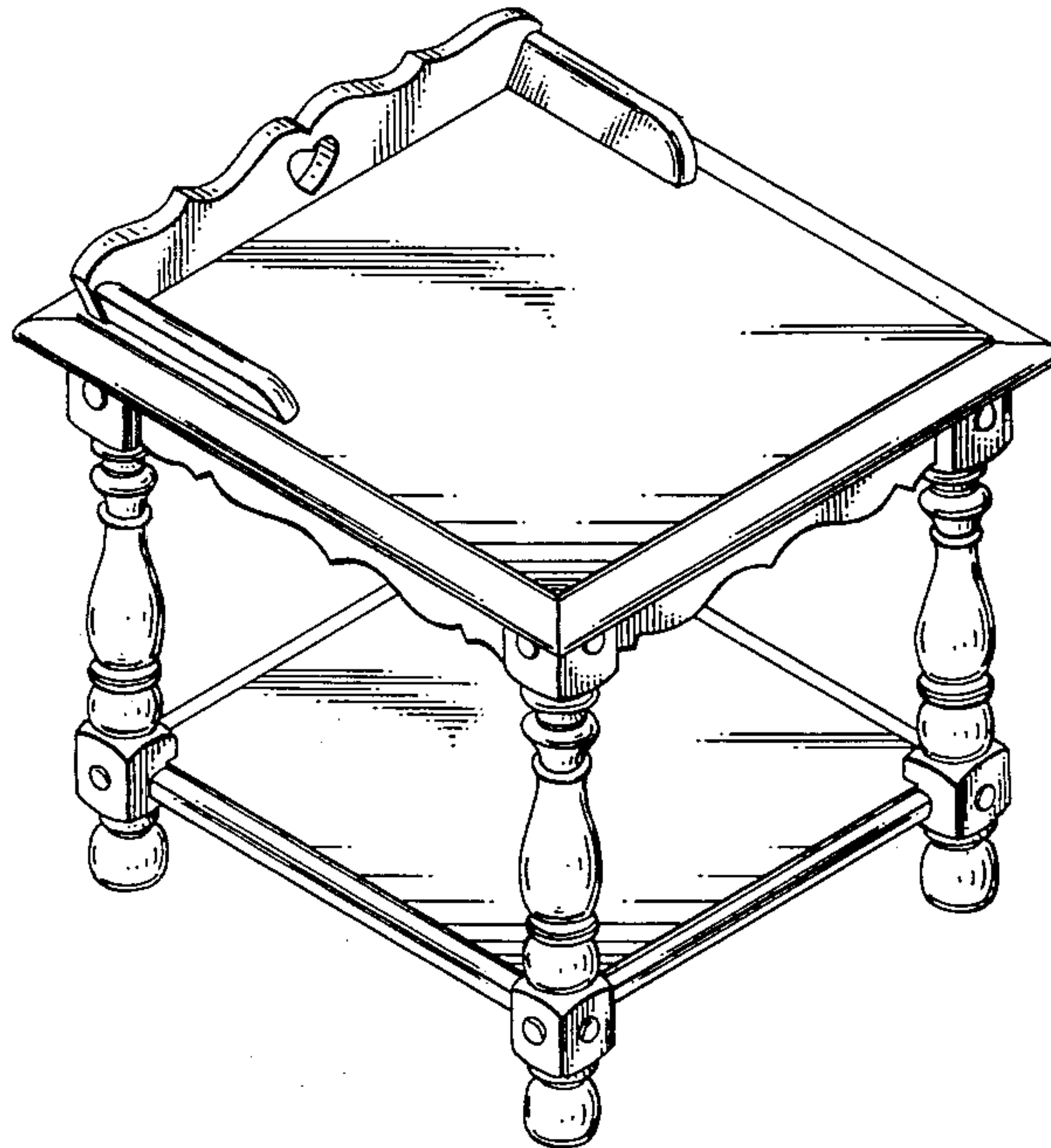
The ornamental design for a table, as shown and described.

DESCRIPTION

FIG. 1 is an isometric view of the table showing my new design incorporated in an end table;

FIG. 2 is a front elevational view of the table of FIG. 1 at a reduced scale; and

FIG. 3 is an end elevational view of the table of FIG. 2. The end and side of the table, not shown, are mirror images of the respective end and side shown.



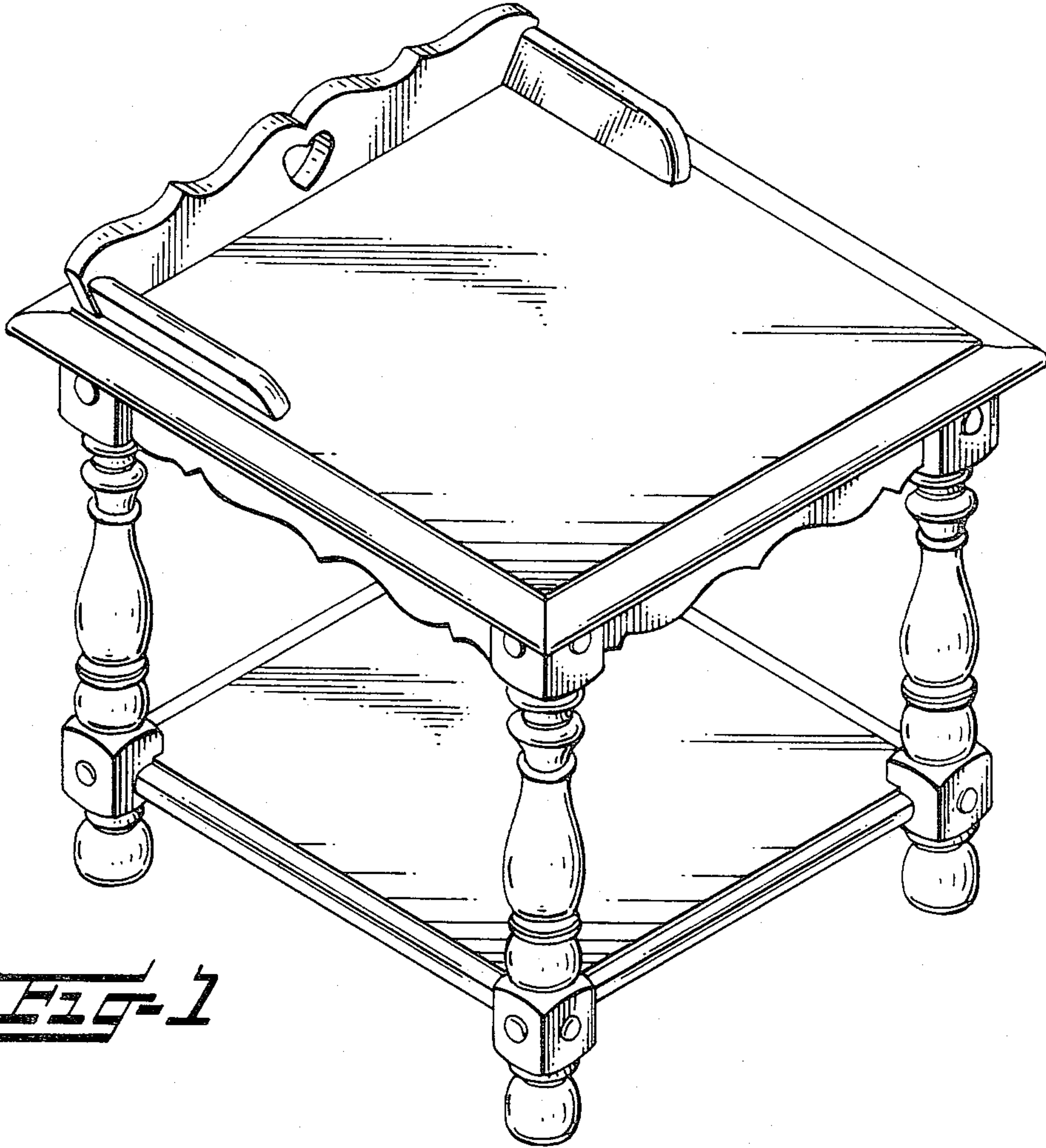


Fig. 1

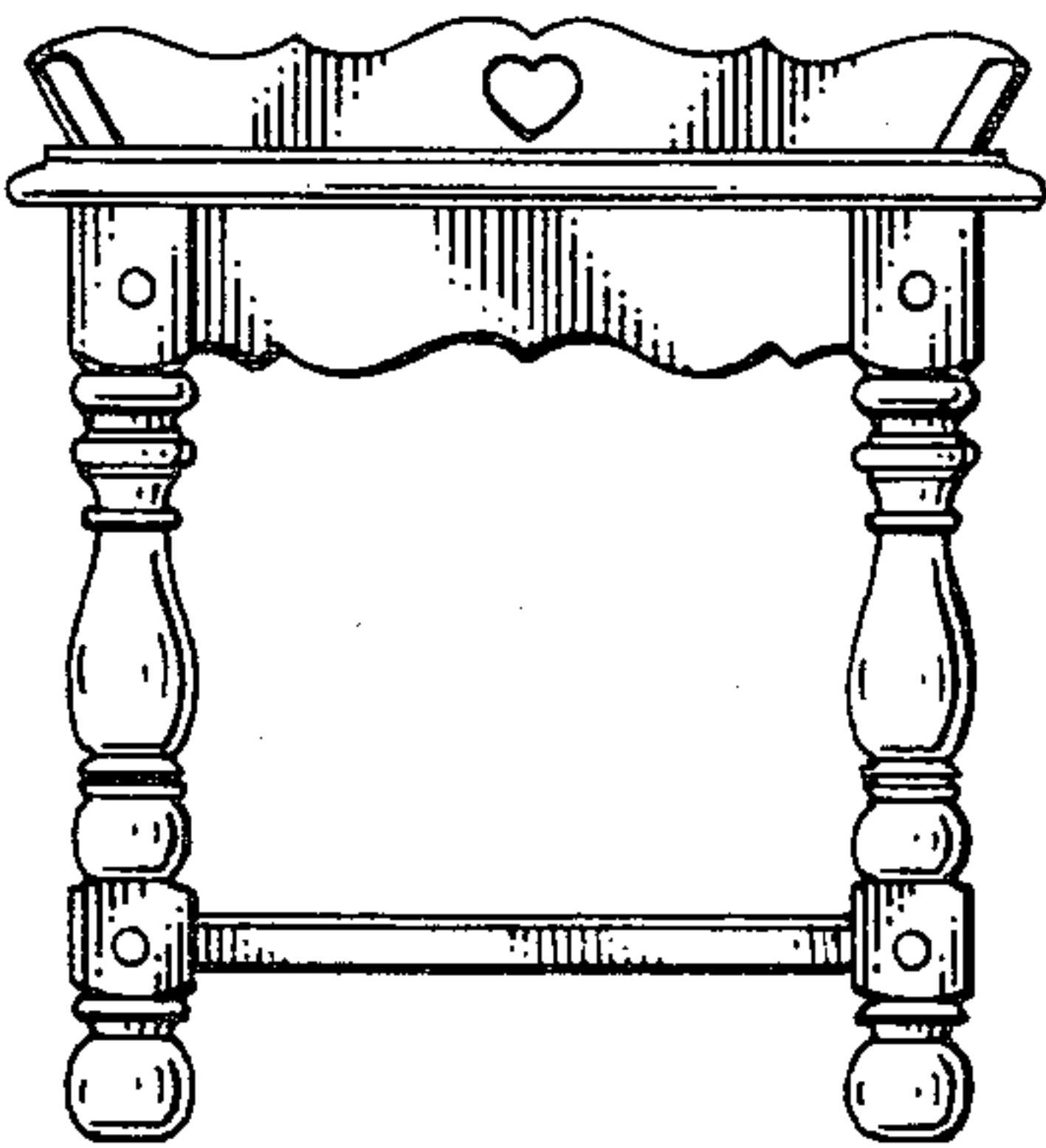


Fig. 2

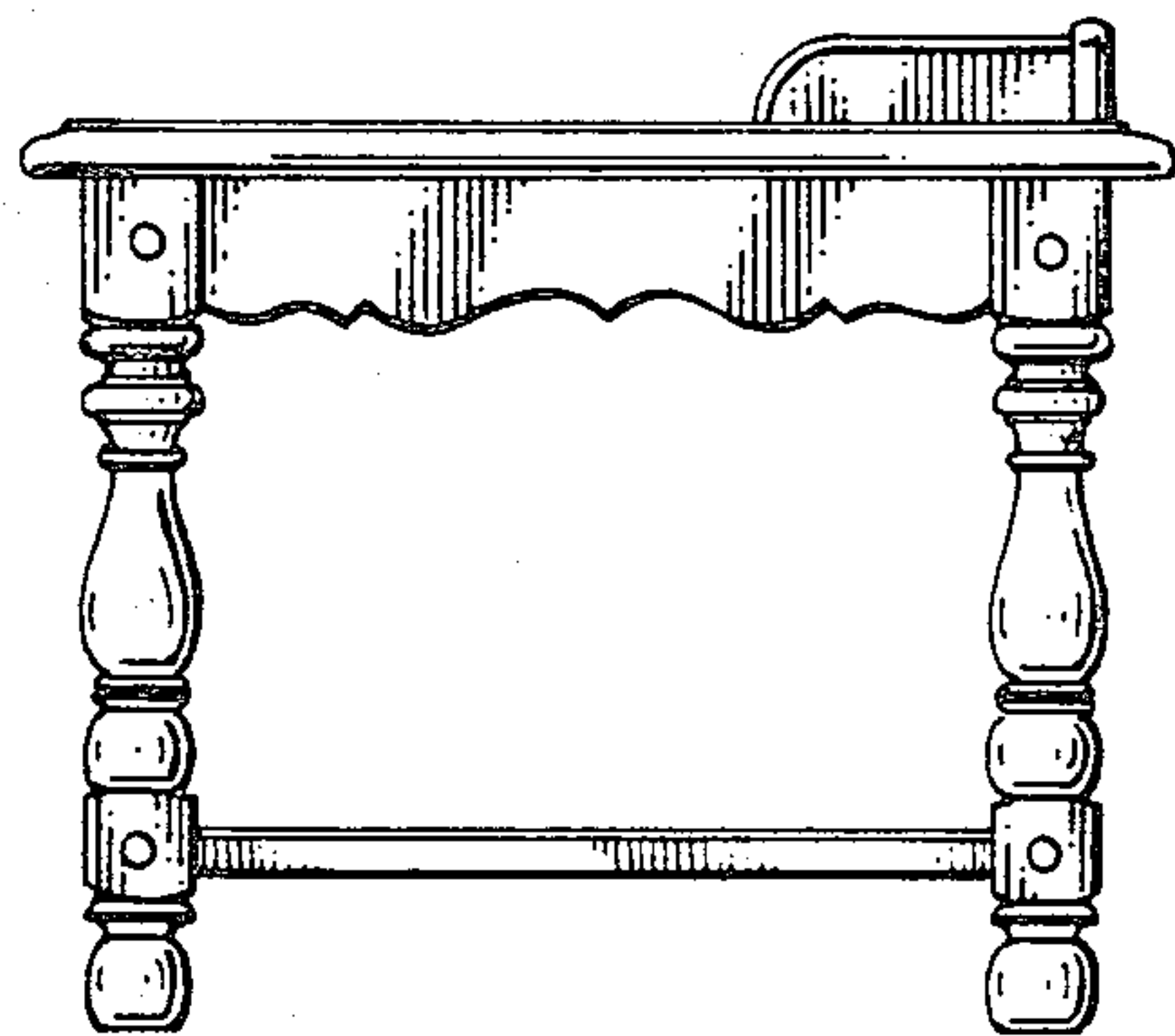


Fig. 3