

[54] PHOTOGRAPHIC ALBUM STORAGE AND DISPLAY CASE

[75] Inventor: Sasson Rejwan, North Woodmere, N.Y.

[73] Assignee: Berkey Photo, Inc., White Plains, N.Y.

[\*\*] Term: 14 Years

[21] Appl. No.: 512,040

[22] Filed: Jul. 8, 1983

[52] U.S. Cl. .... D6/470

[58] Field of Search ..... D6/407, 449, 432, 470, D6/471; 211/40, 42; 312/114

[56] References Cited

U.S. PATENT DOCUMENTS

- D. 262,249 12/1981 Smith, III ..... D6/407
- D. 263,665 4/1982 Anderson ..... D6/407

OTHER PUBLICATIONS

*Stereo Review*, Oct. 1982, p. 76; Transparent Record Holder on center of page far right.

*Primary Examiner*—Carmen H. Vales  
*Attorney, Agent, or Firm*—Neuman, Williams, Anderson & Olson

[57] CLAIM

The ornamental design for a photographic album storage and display case, as shown.

DESCRIPTION

FIG. 1 is a perspective view of a photographic album storage and display case showing my new design; FIG. 2 is a front elevational view thereof; FIG. 3 is a right side elevational view thereof; FIG. 4 is a top plan view thereof; FIG. 5 is a rear elevational view thereof; and FIG. 6 is a left side elevational view thereof.

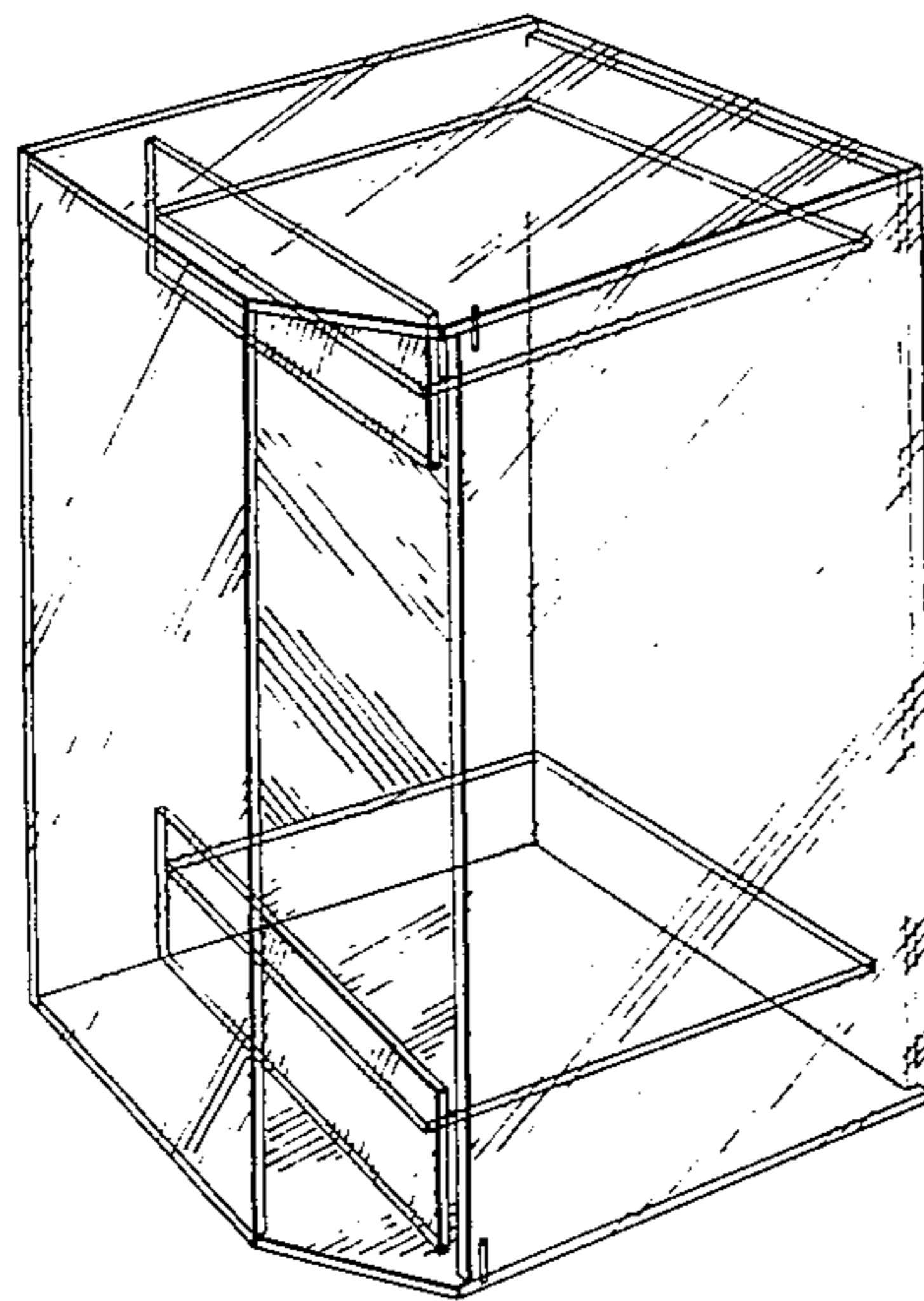


FIG. 1

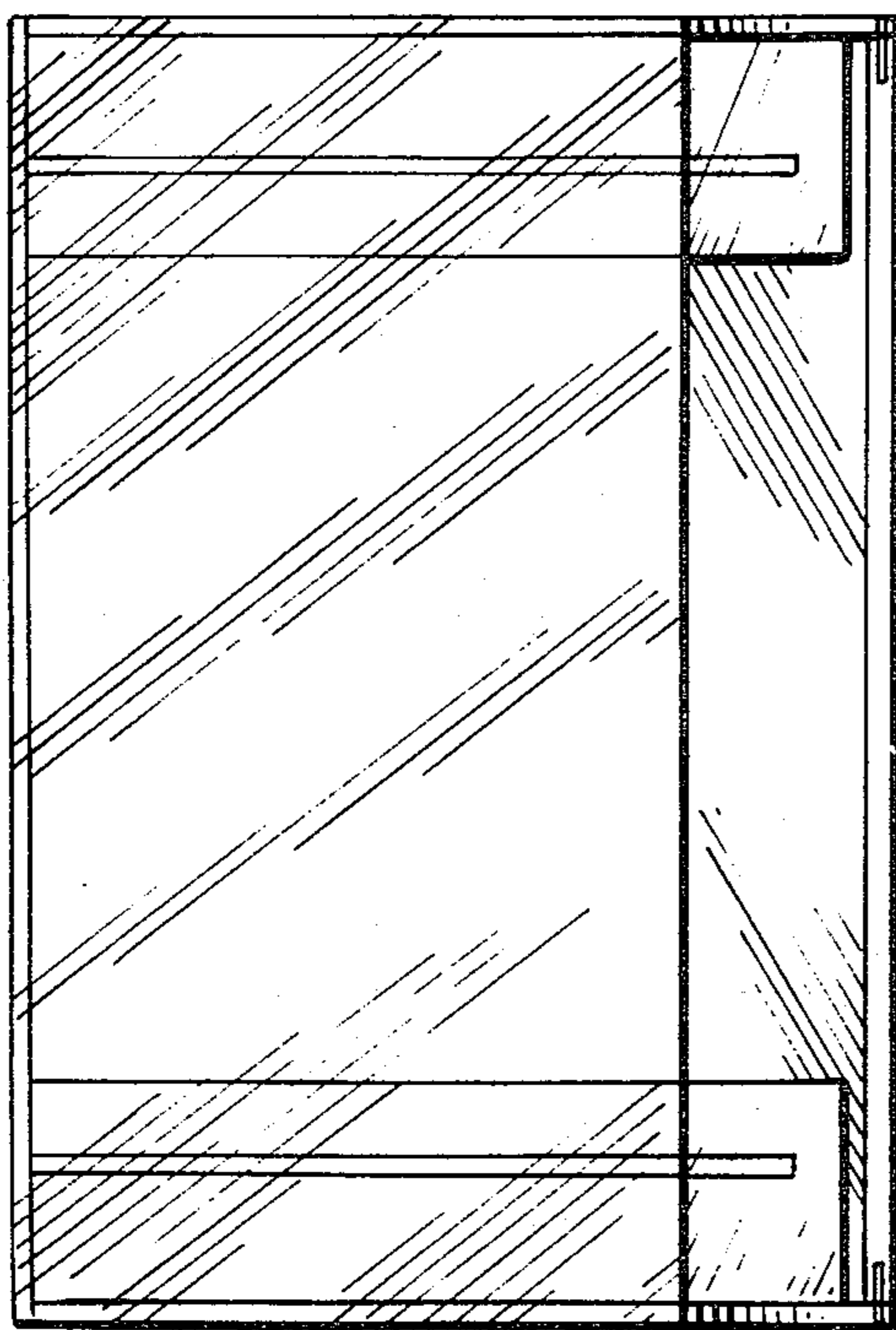
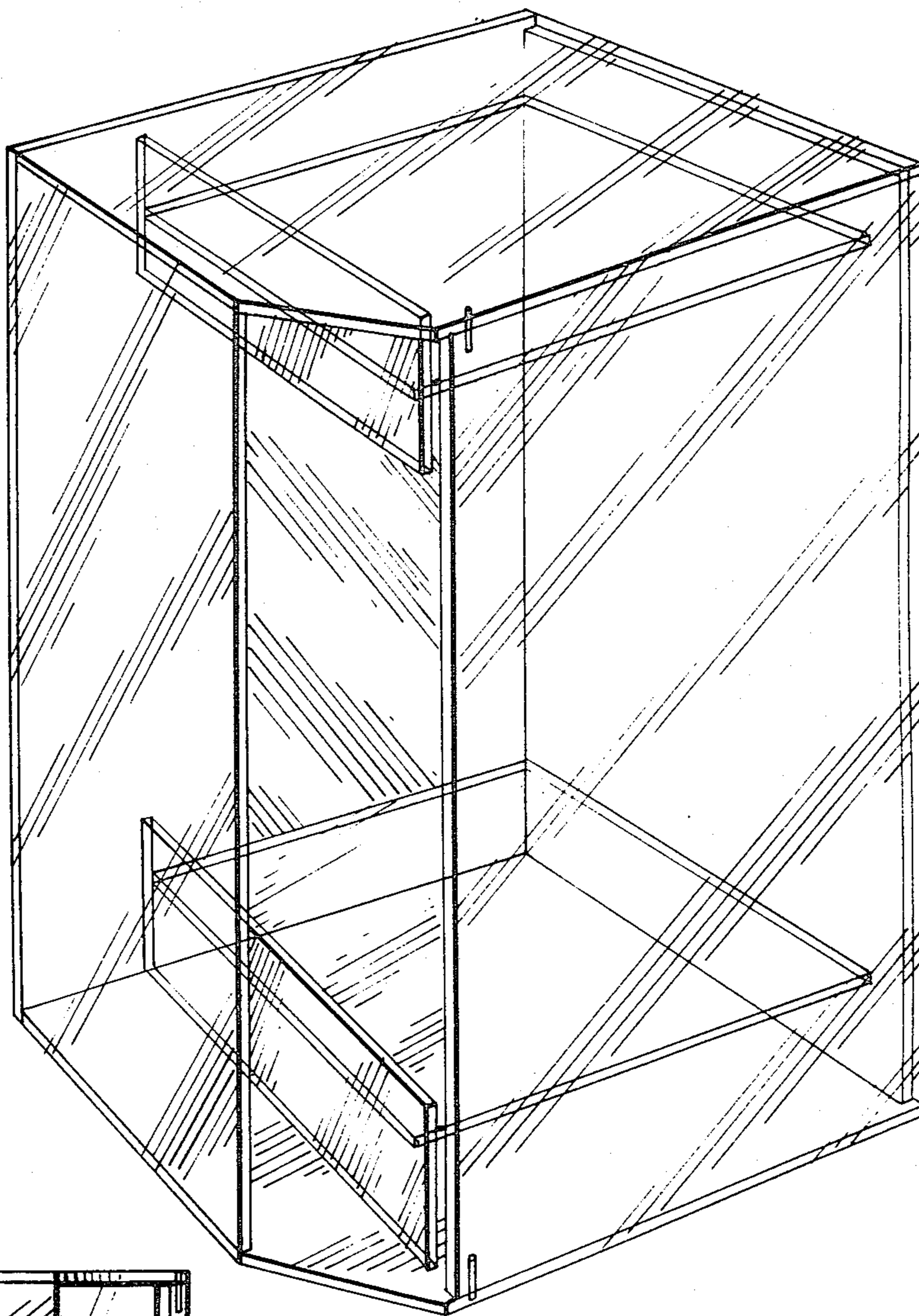


FIG. 6

FIG. 2

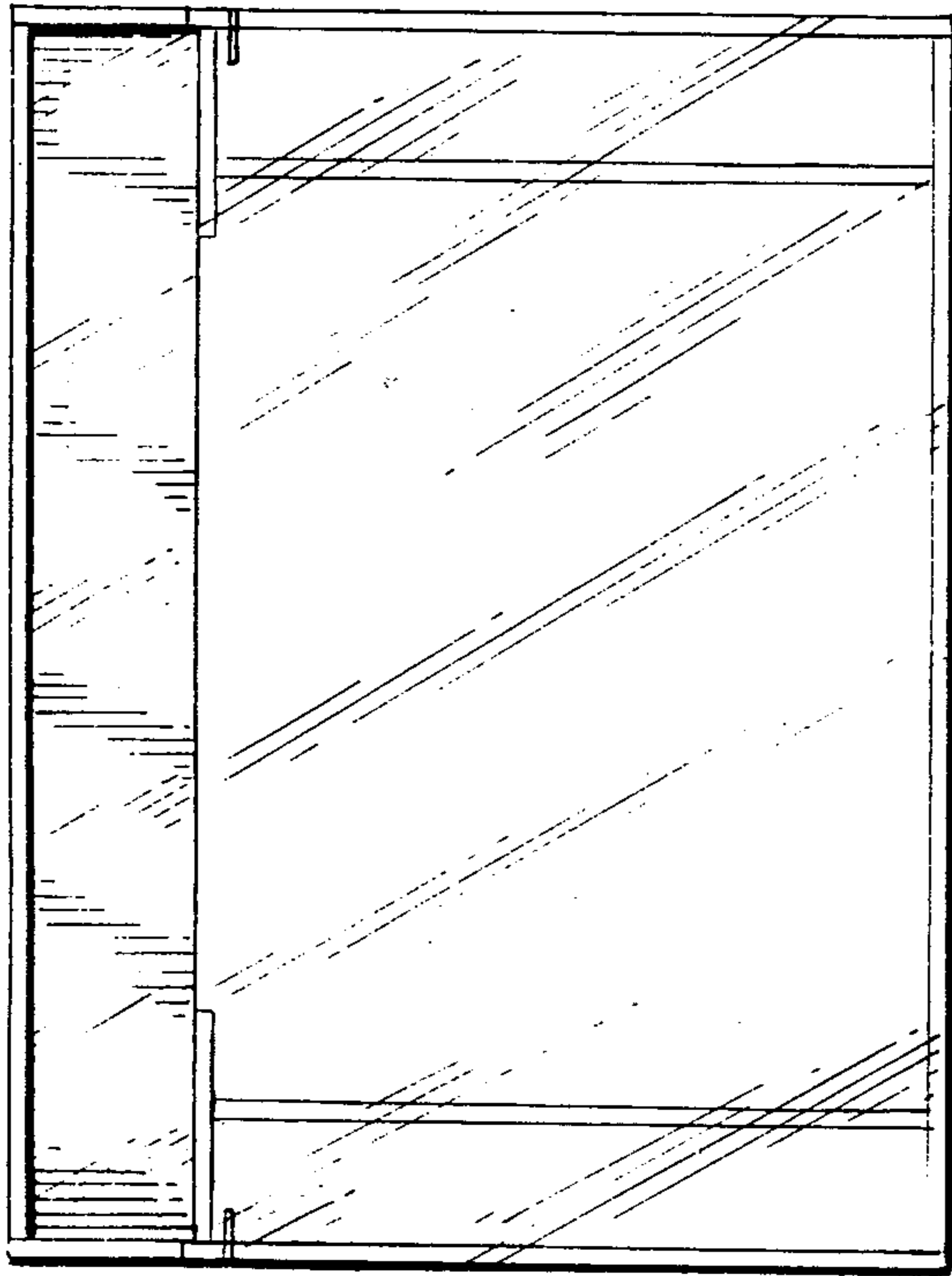


FIG. 3

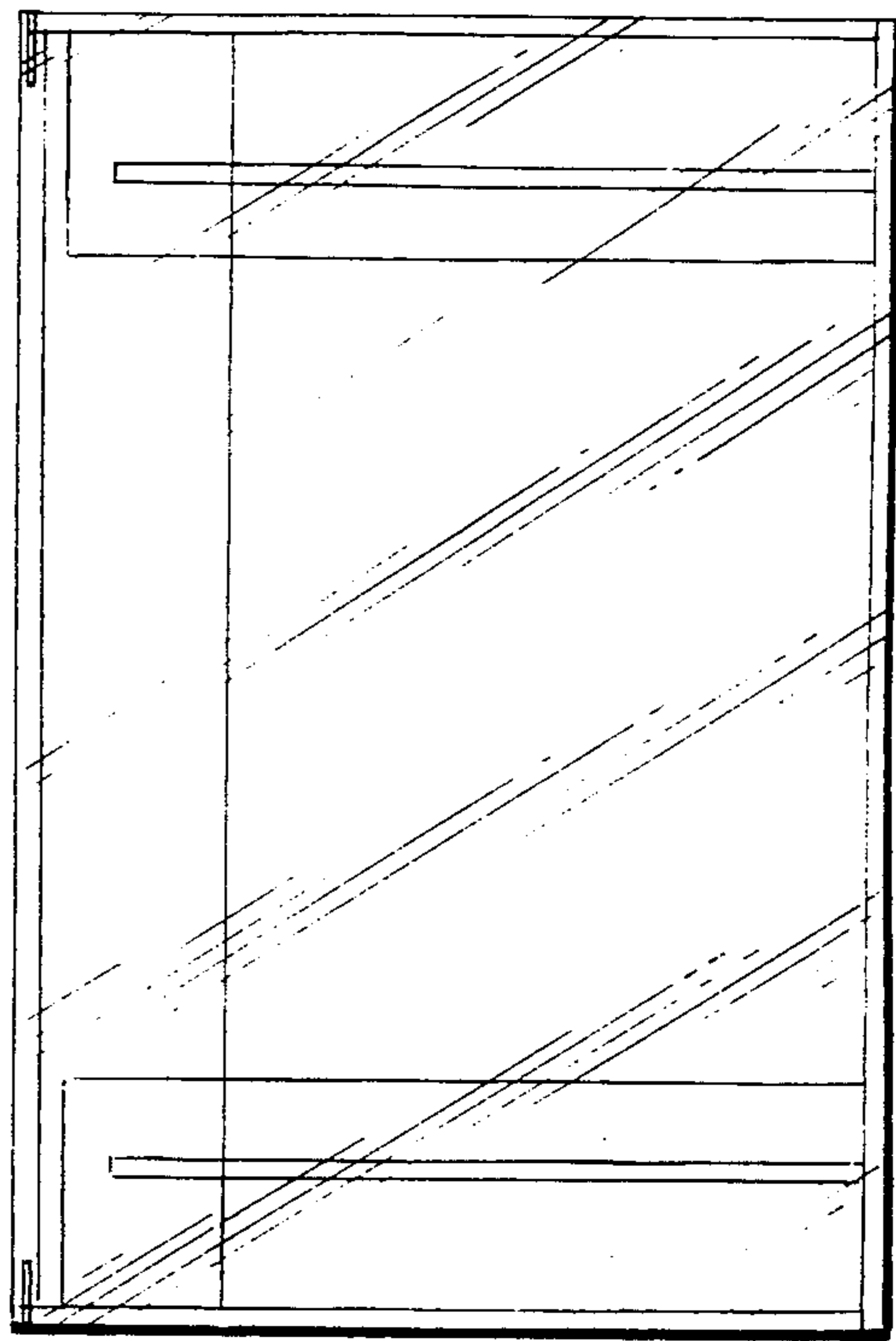


FIG. 4

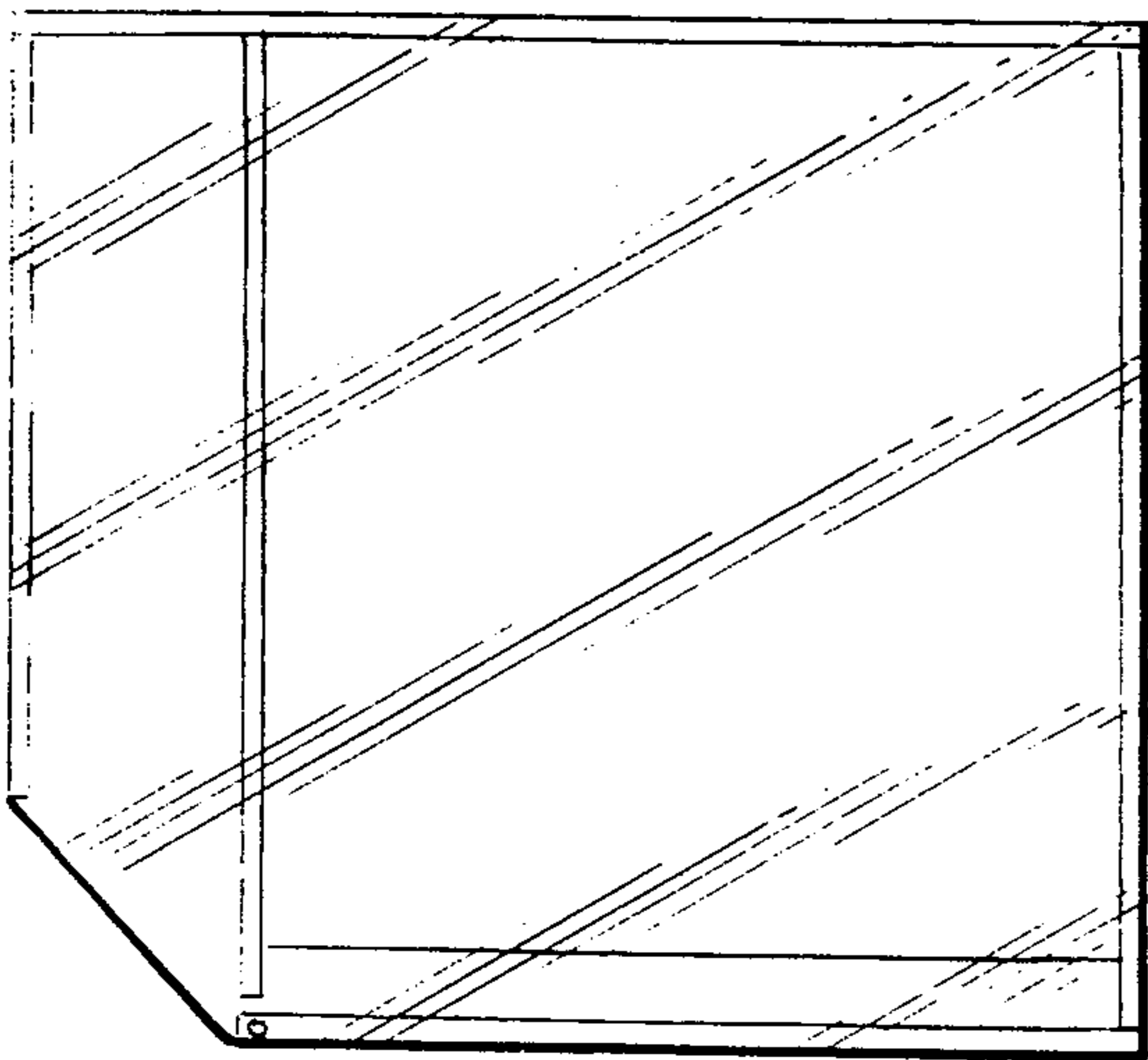


FIG. 5

