

[54] **BACKPACK COOLER WITH MOULDED BACK FRAME AND SEAT**

[76] Inventor: **Mark P. Kalkus**, 49 Showers N261, Mt. View, Calif. 94043

[**] Term: **14 Years**

[21] Appl. No.: **503,764**

[22] Filed: **Jun. 13, 1983**

[52] U.S. Cl. **D3/32; D6/336; D6/349; D7/77**

[58] Field of Search **D3/30.1, 31, 32, 43; 224/155; D7/77; D6/349, 335, 336, 356, 33.3; D32/37**

[56] **References Cited**

U.S. PATENT DOCUMENTS

D. 187,086 1/1960 Aleks D32/37

D. 226,589	3/1973	Suehla et al.	D6/356
D. 239,429	4/1976	Billingsley	D7/77
D. 249,189	8/1978	Stewart	D3/32
D. 256,630	9/1980	Mangy	D3/32
3,662,932	5/1972	Kerschner	224/155

Primary Examiner—George P. Word

[57] **CLAIM**

The ornamental design for a backpack cooler with moulded back frame and seat, as shown.

DESCRIPTION

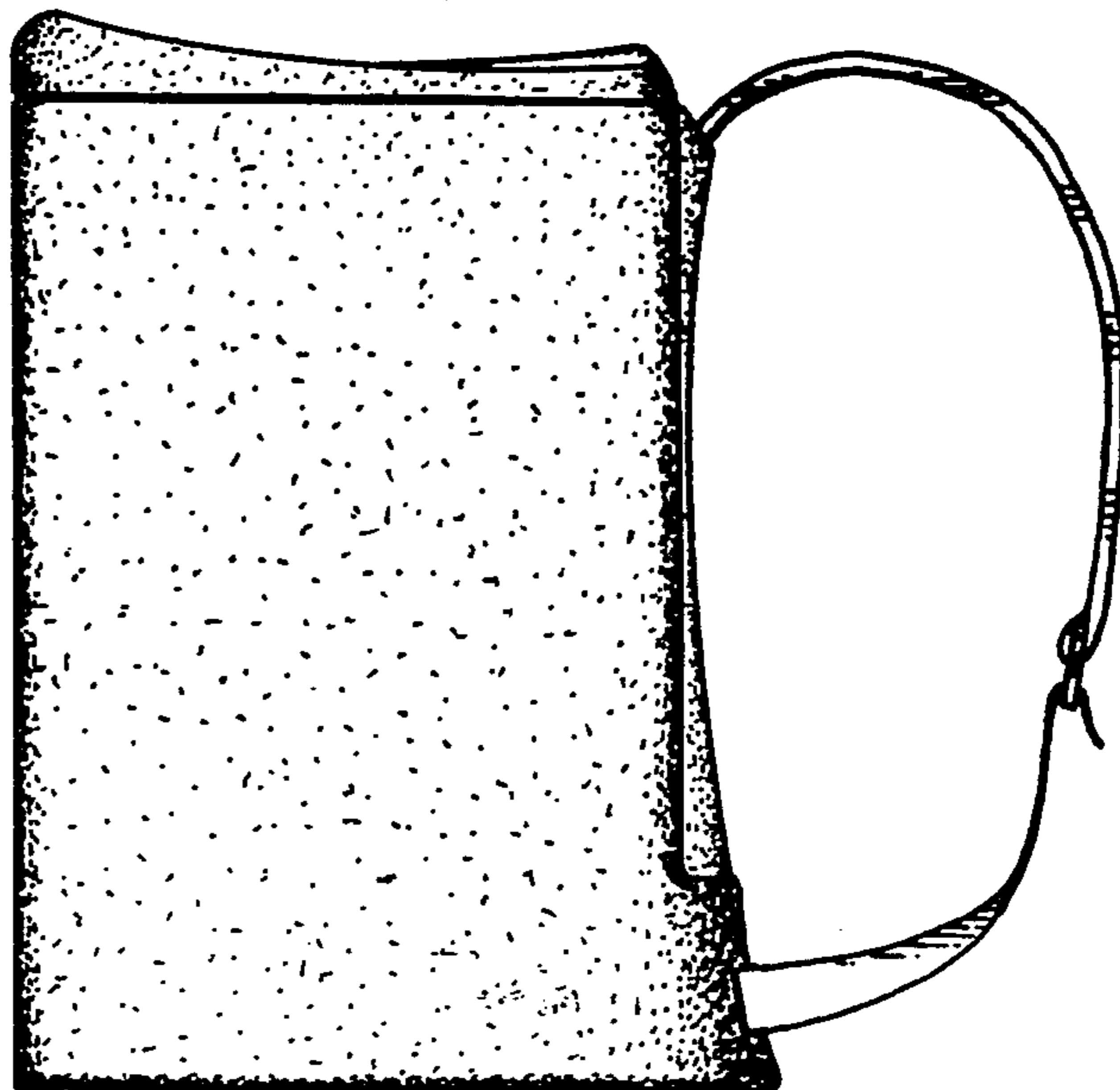
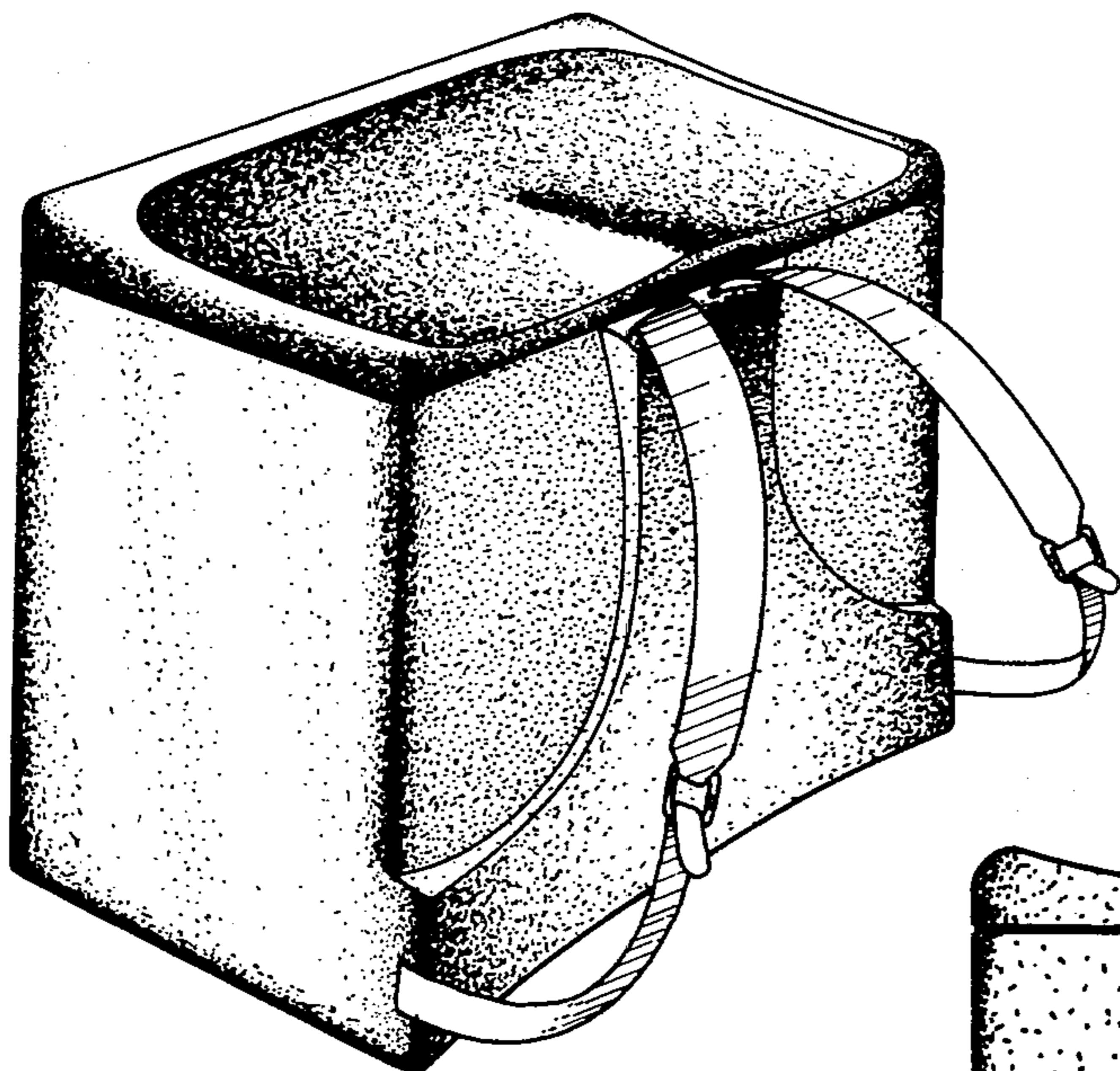
FIG. 1 is a rear perspective view of a backpack cooler with moulded back frame and seat showing my new design;

FIG. 2 is a rear elevational view thereof;

FIG. 3 is a top plan view thereof;

FIG. 4 is a side elevational view thereof; and

FIG. 5 is a front elevational view thereof.



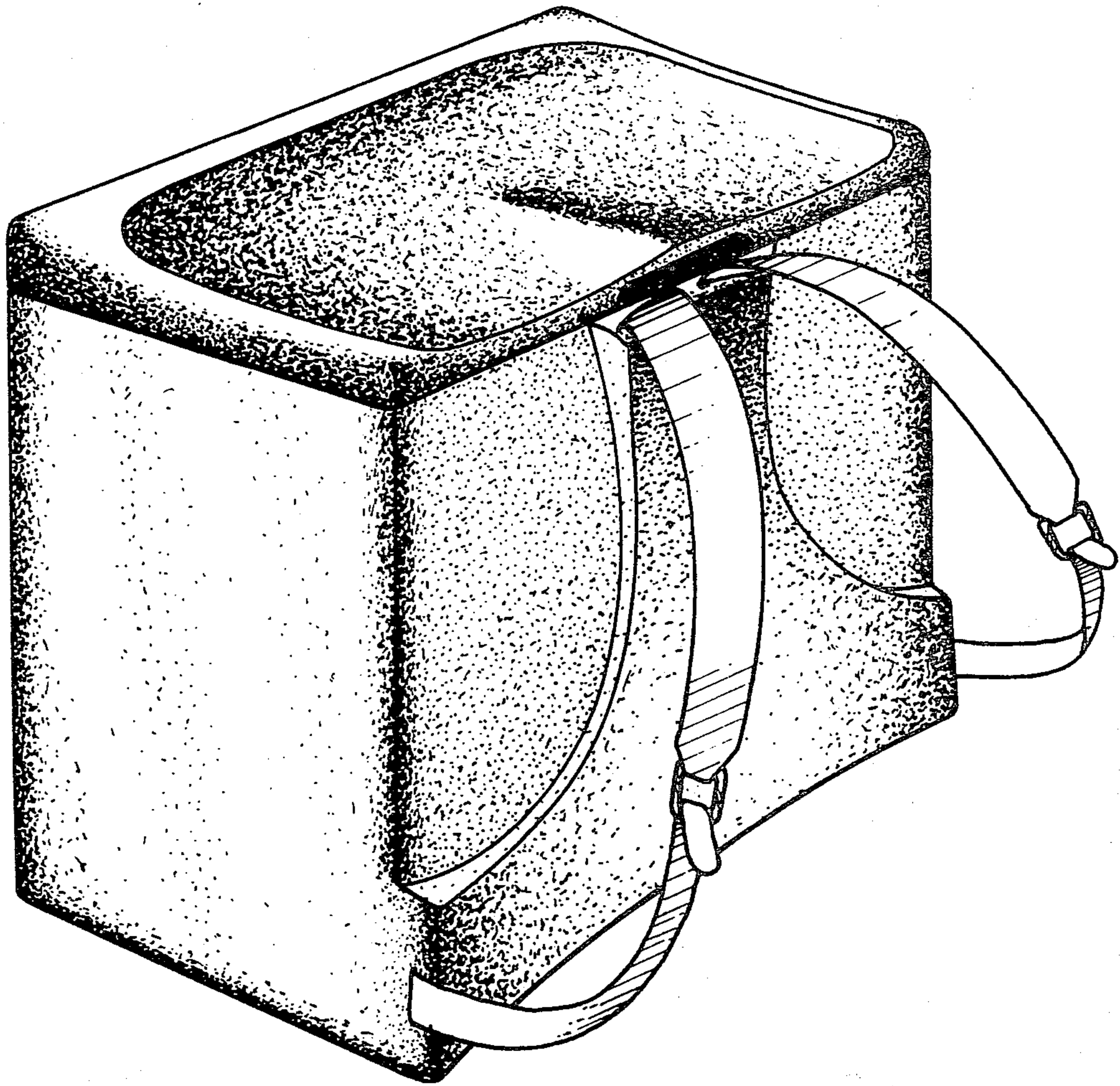


FIG. 1

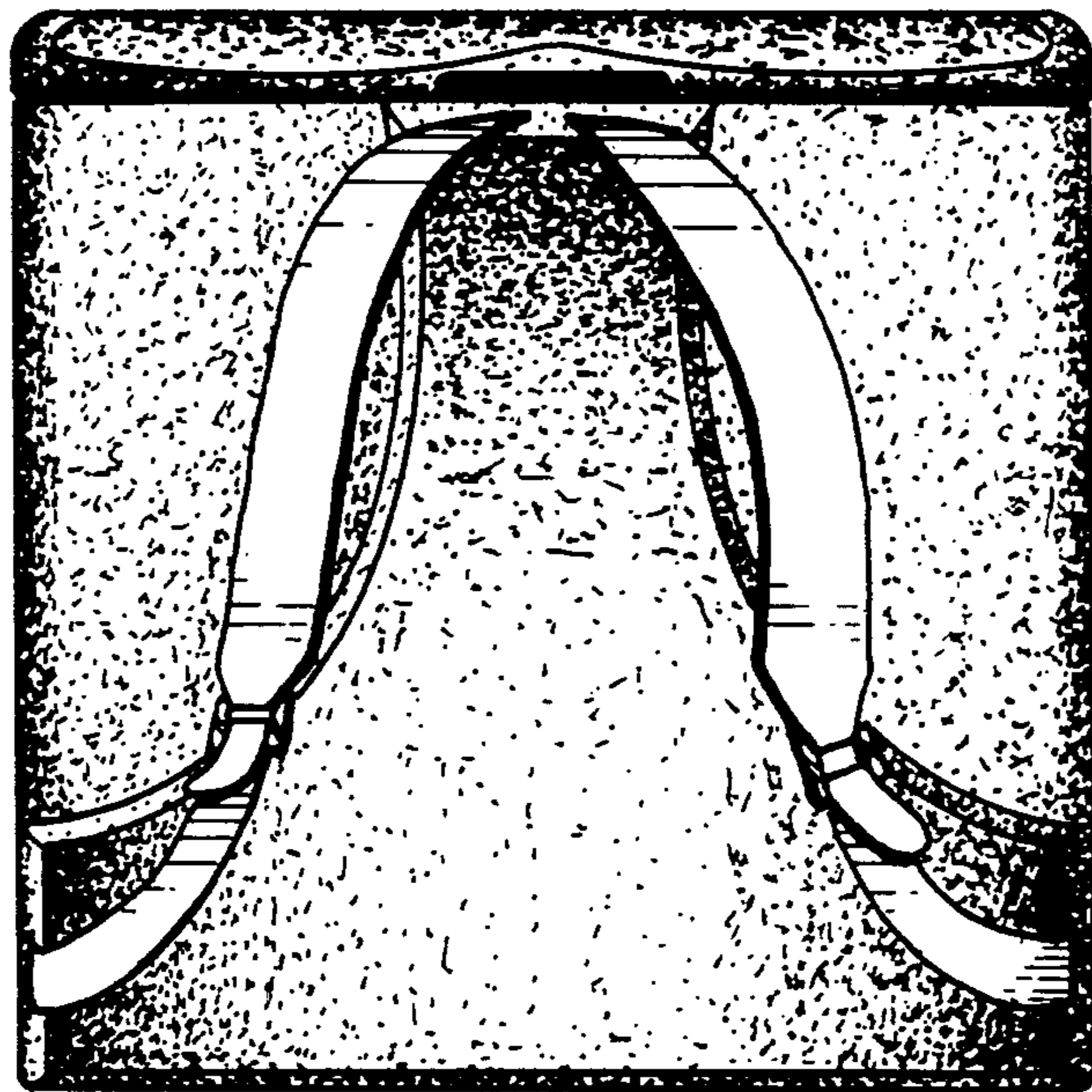


FIG. 2

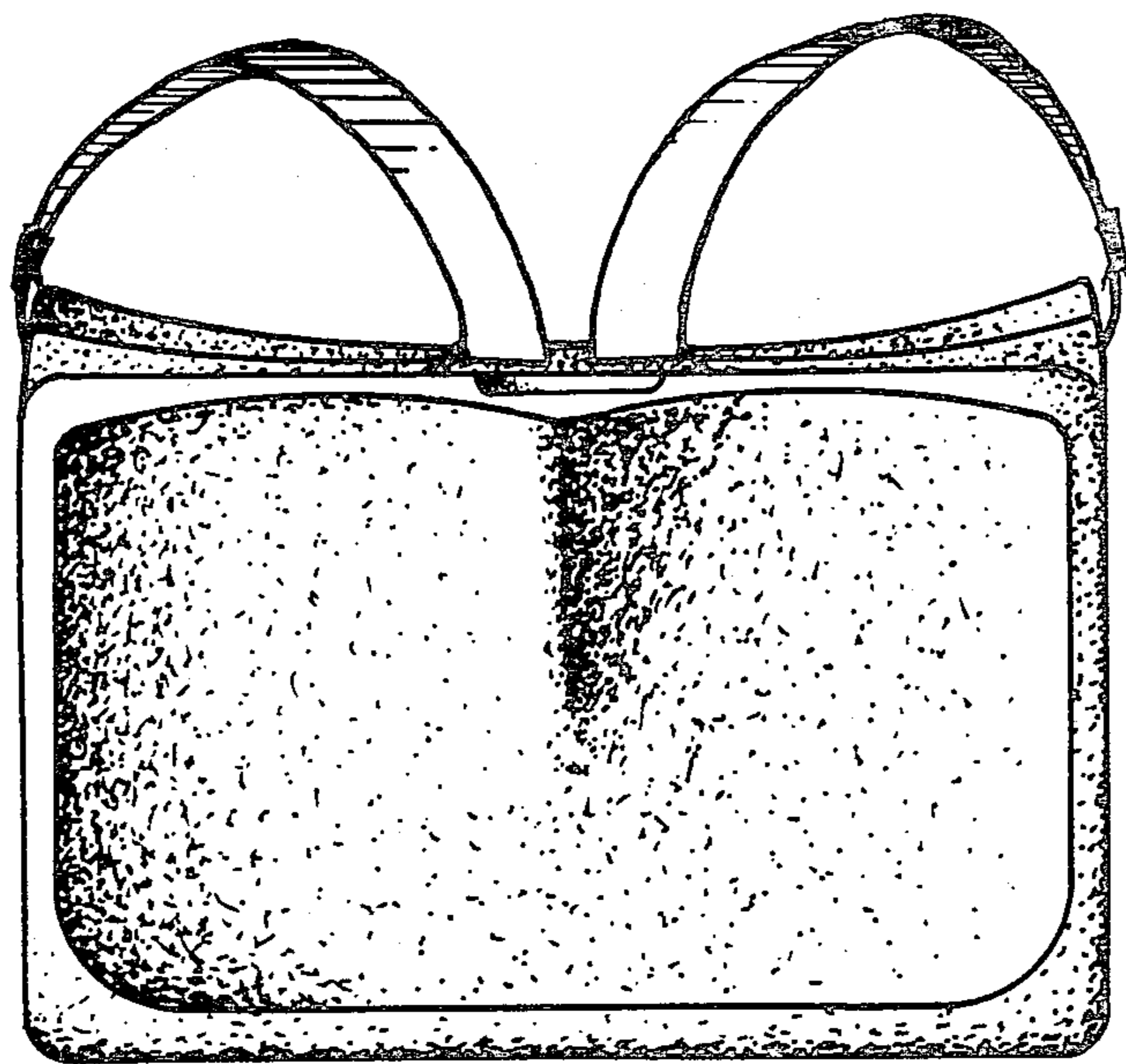


FIG.3

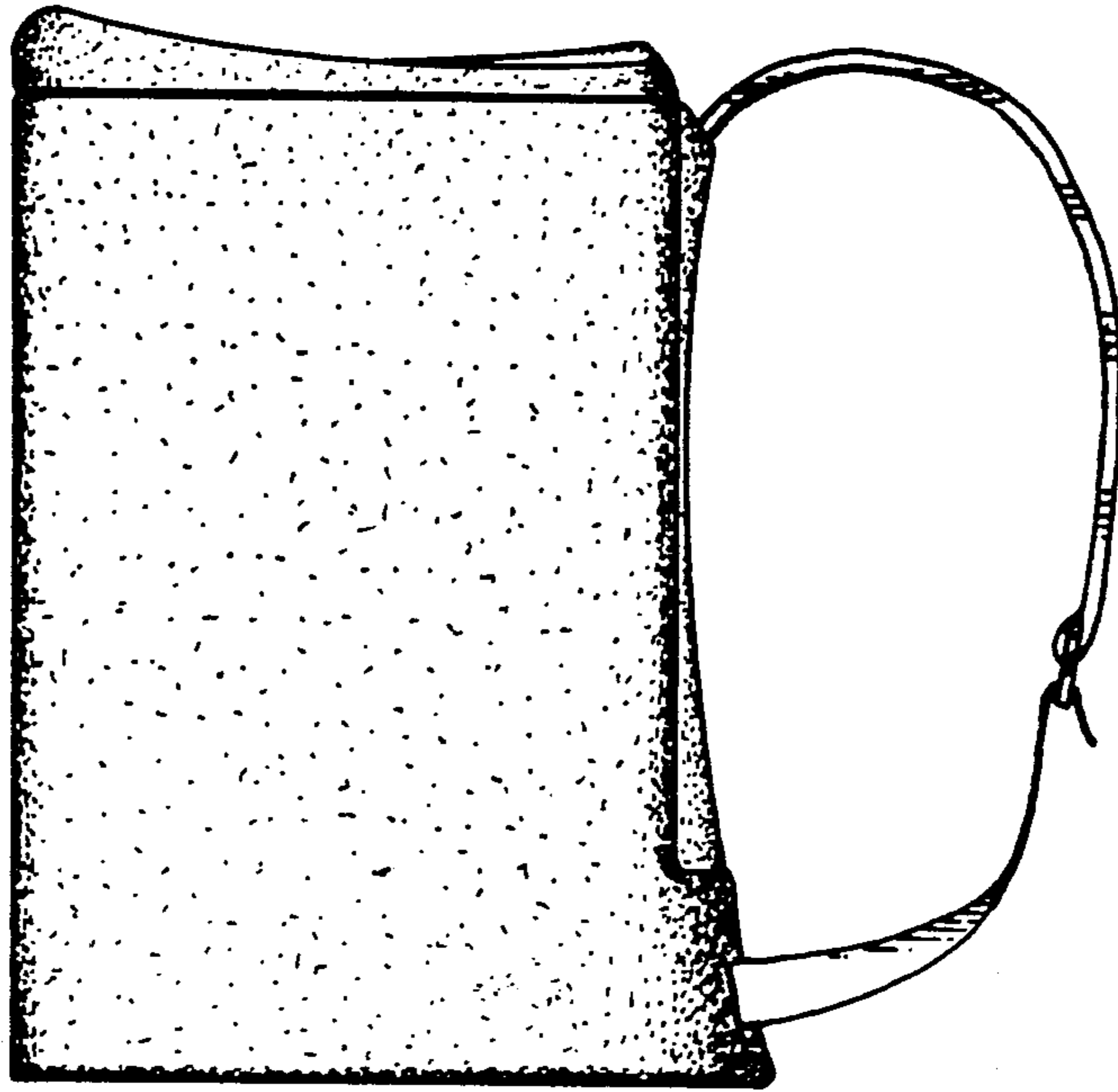


FIG. 4

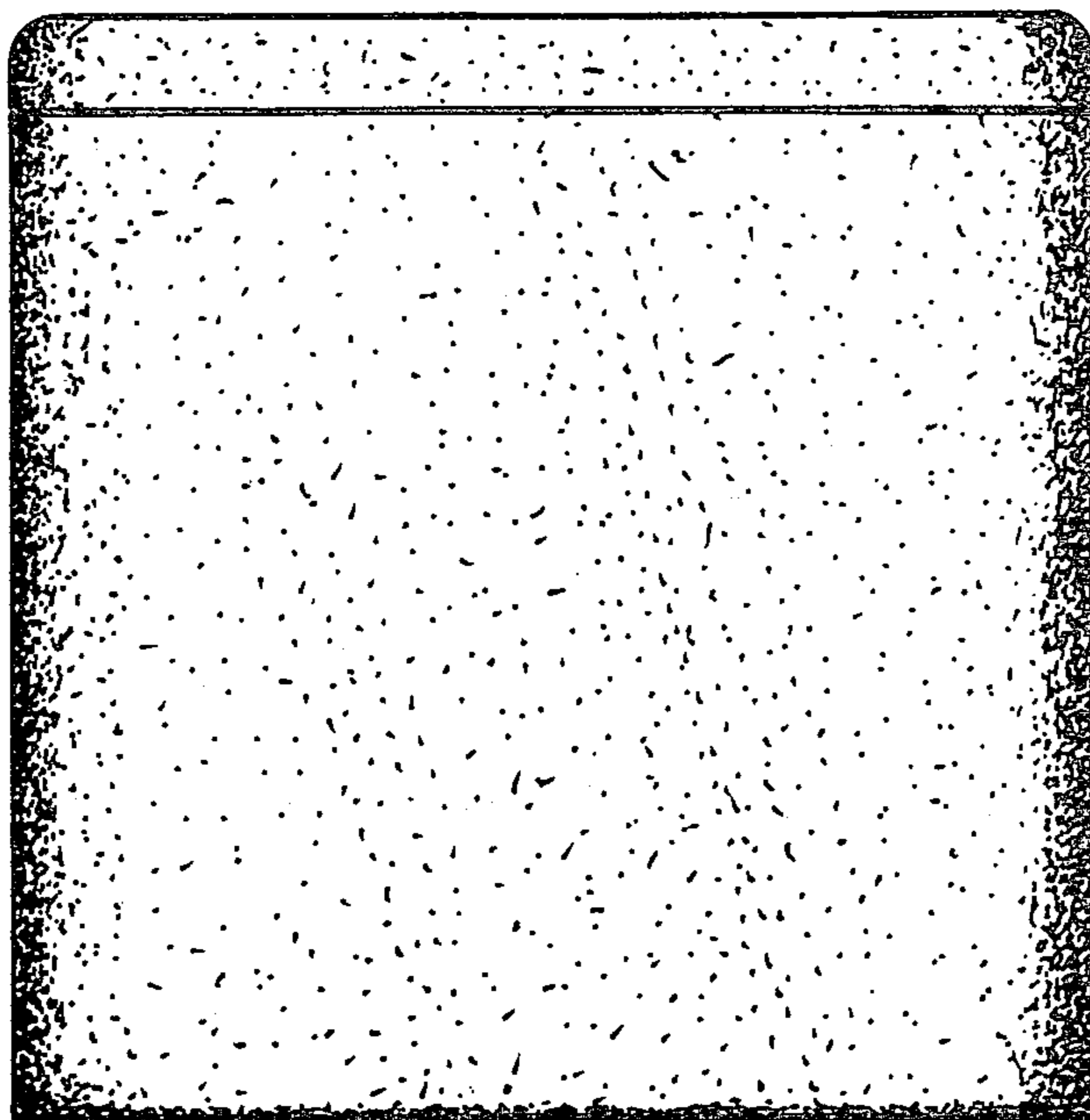


FIG. 5