

United States Patent [19]
Cooke

[11] **Patent Number: Des. 281,114**
[45] **Date of Patent: ** Oct. 22, 1985**

[54] **AUTOMATIC TELLER STATION**
[75] **Inventor: John C. Cooke, Lebanon, Ohio**
[73] **Assignees: Kleski & Associates, Inc.; The Third National Bank and Trust Company, both of Dayton, Ohio**
[**] **Term: 14 Years**
[21] **Appl. No.: 458,682**
[22] **Filed: Jan. 17, 1983**
[52] **U.S. Cl. D99/28; D25/16; D25/18**
[58] **Field of Search D25/1, 16, 18; D99/41, D99/43, 28**

[56] **References Cited**
U.S. PATENT DOCUMENTS
D. 195,118 4/1963 Sherron D25/16

D. 197,220 12/1963 Dreyfuss D25/18 X
FOREIGN PATENT DOCUMENTS
72130 2/1951 Denmark D25/16

Primary Examiner—A. Hugo Word
Attorney, Agent, or Firm—Biebel, French & Nauman

[57] **CLAIM**

The ornamental design for an automatic teller station, substantially as shown.

DESCRIPTION

FIG. 1 is a perspective view of an automatic teller station showing the left front thereof;
FIG. 2 is a perspective view showing the right rear thereof;
FIG. 3 is a top plan view thereof;
FIG. 4 is a left elevational view; and
FIG. 5 is a front elevational view.

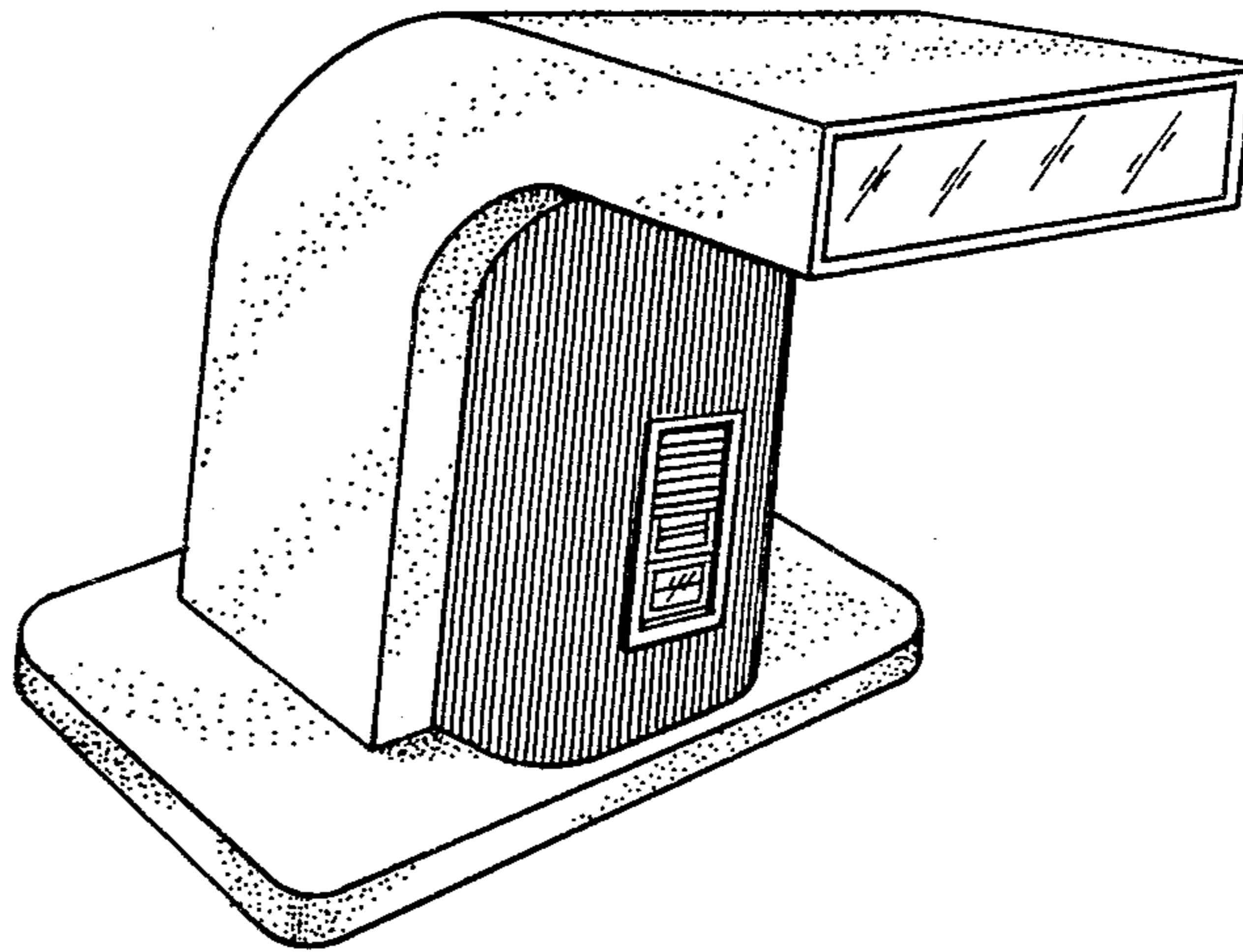


FIG-1

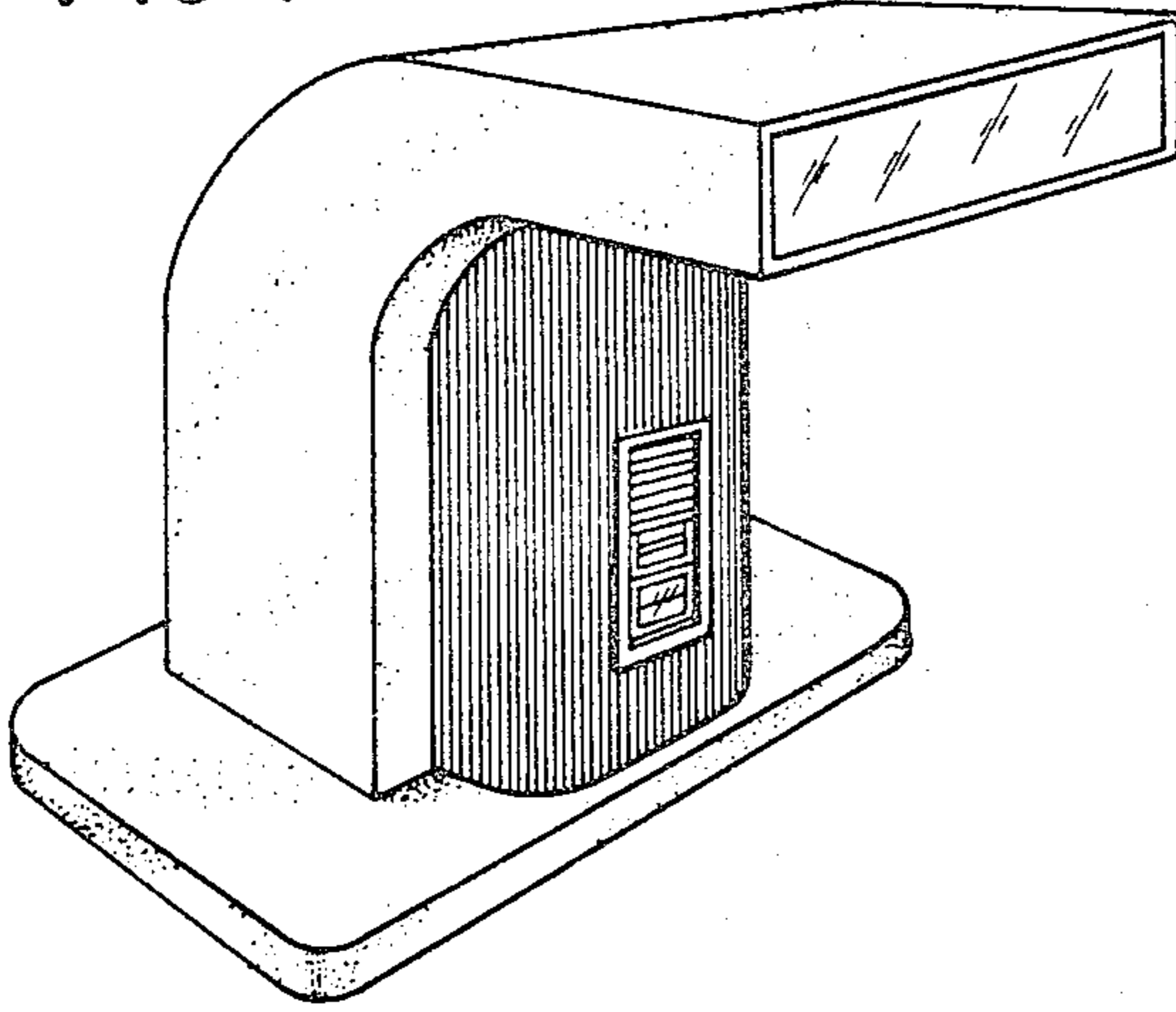


FIG-2

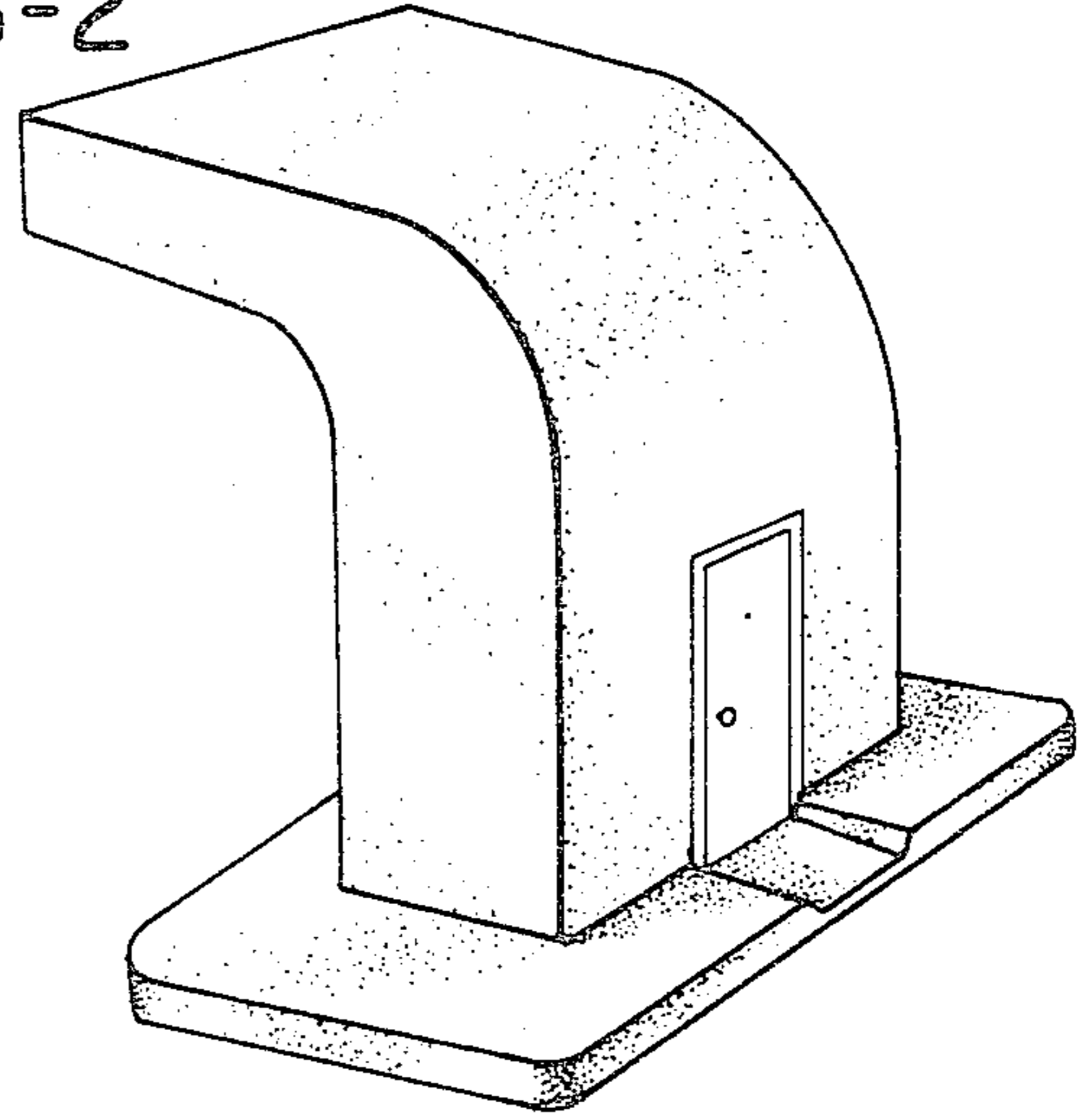


FIG-3

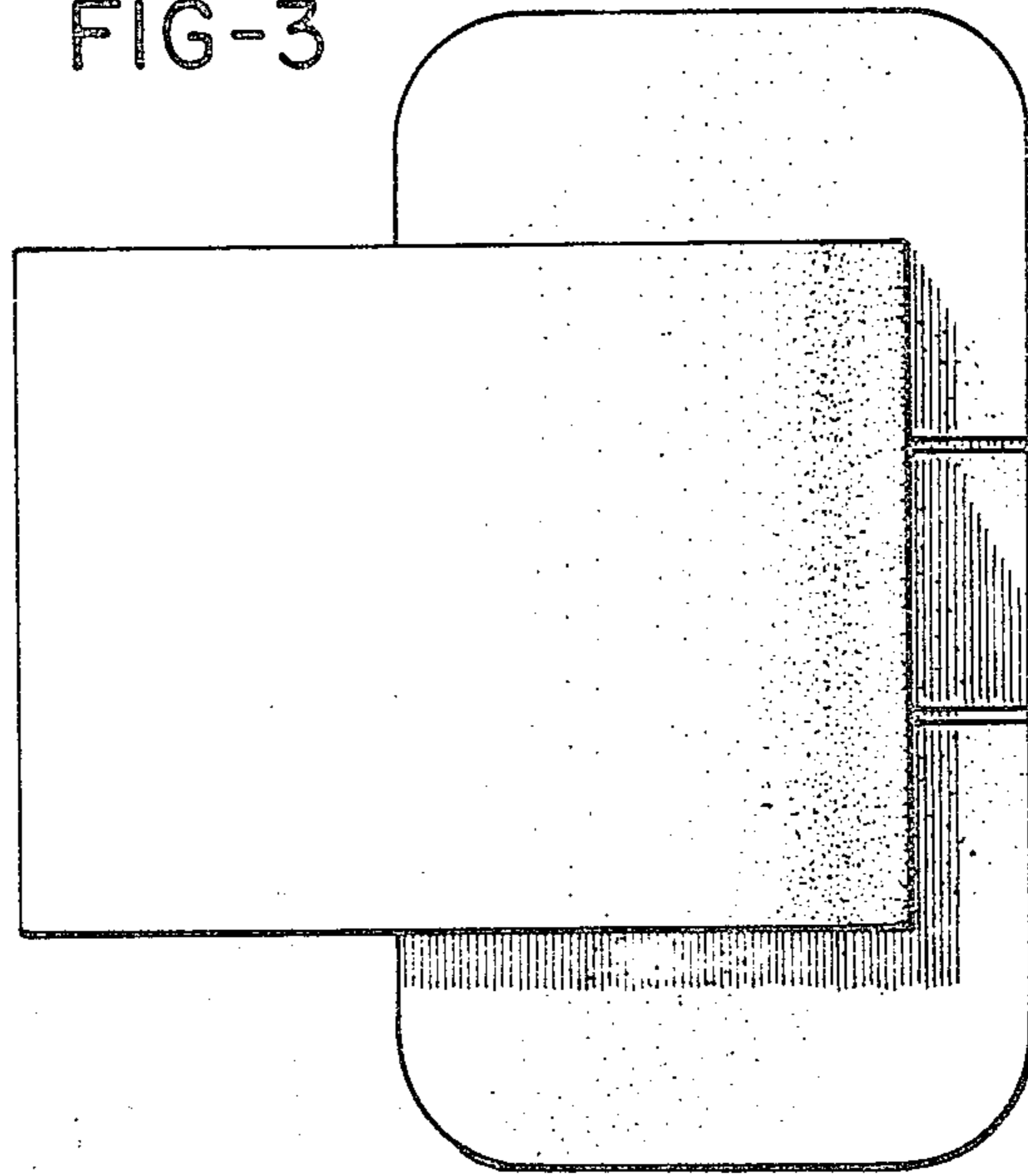


FIG-4

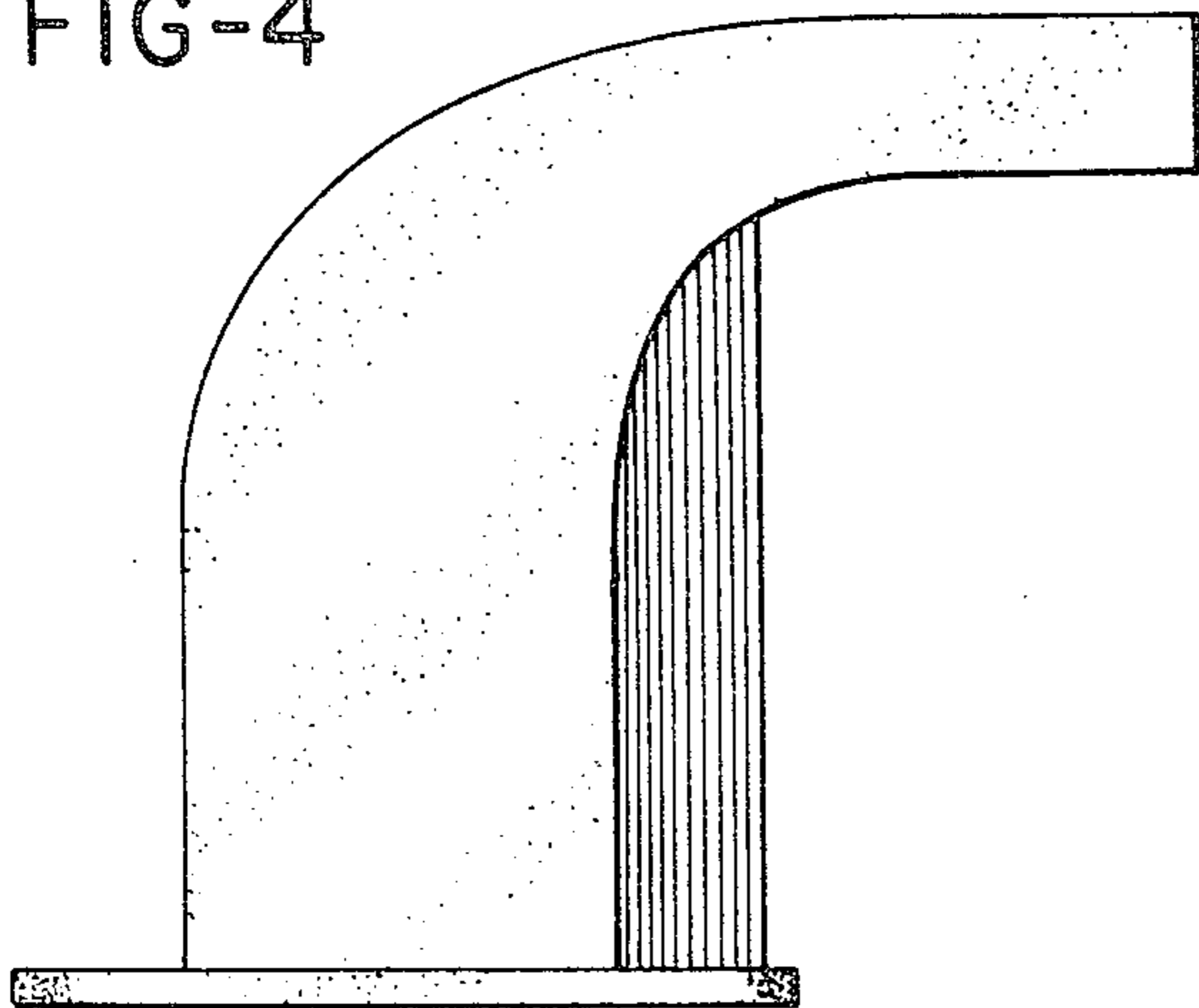


FIG-5

