

[54] CART FOR A BOWLING BALL BAG

[76] Inventor: Henry L. Nichols, 301 E. Wildwood Ave., Fort Wayne, Ind. 46806

[\*\*] Term: 14 Years

[21] Appl. No.: 530,414

[22] Filed: Sep. 8, 1983

[52] U.S. Cl. .... D34/24; D34/24

[58] Field of Search ..... 280/47.24, 47.26, 652; D34/12, 13, 23, 24, 26; 280/47.27, 47.23, 47.12

[56] References Cited

U.S. PATENT DOCUMENTS

3,612,563 10/1971 Kazmark, Sr. .... 280/47.24

FOREIGN PATENT DOCUMENTS

892212 3/1962 United Kingdom ..... 280/652

Primary Examiner—James M. Gandy

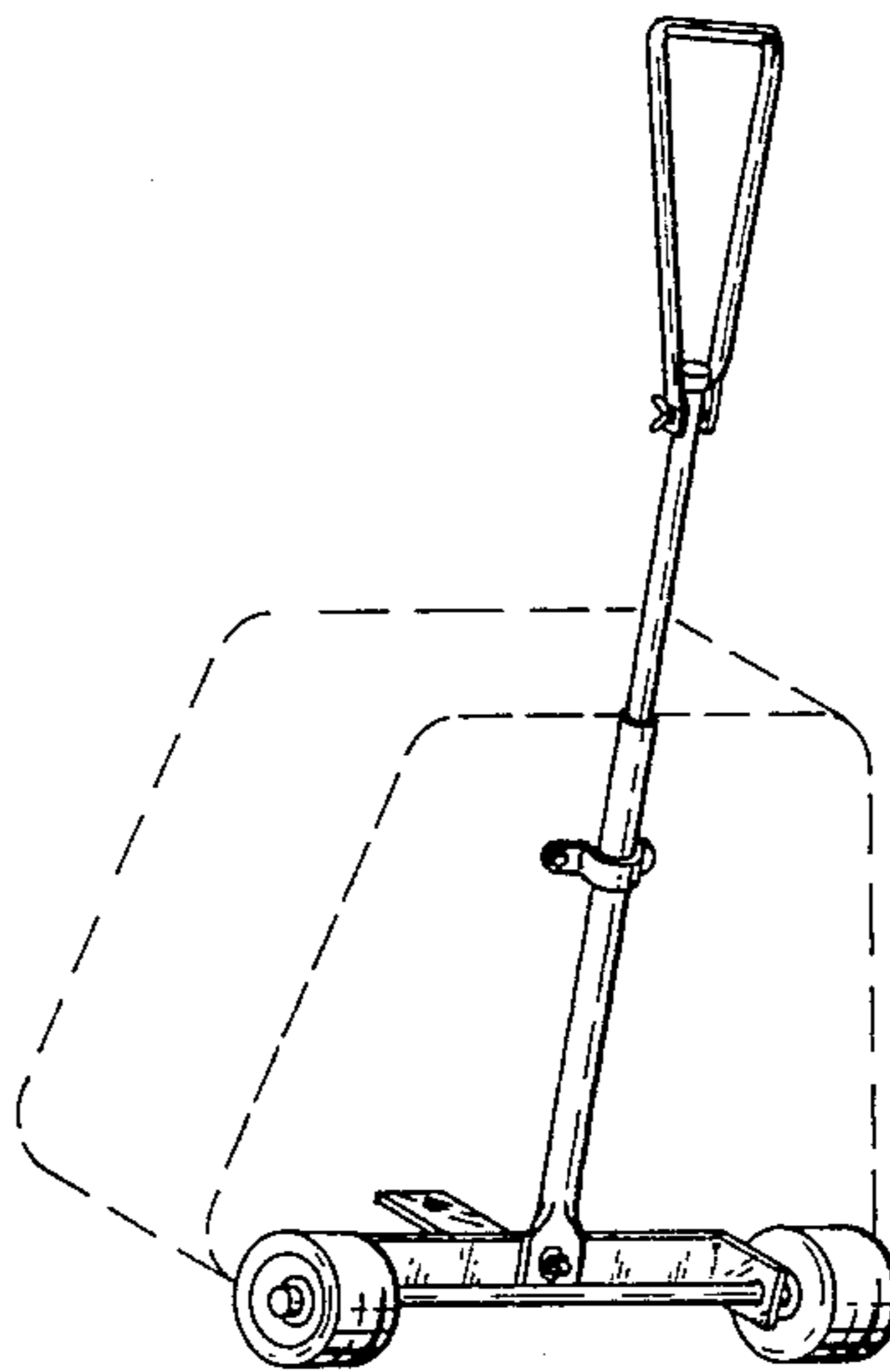
Assistant Examiner—Kay H. Chin  
Attorney, Agent, or Firm—Jeffers, Irish & Hoffman

[57] CLAIM

The ornamental design for a cart for a bowling ball bag, as shown and described.

DESCRIPTION

FIG. 1 is a rear perspective view of a cart for a bowling ball bag showing my new design; FIG. 2 is a rear elevational view thereof; FIG. 3 is a front elevational view thereof; FIG. 4 is a side elevational view thereof viewed from the left side of FIG. 3; FIG. 5 is a side elevational view thereof viewed from the right side of FIG. 3; FIG. 6 is a top view thereof; and FIG. 7 is a bottom view thereof. The broken lines shown in the drawing are for illustrative purposes only and form no part of the design.



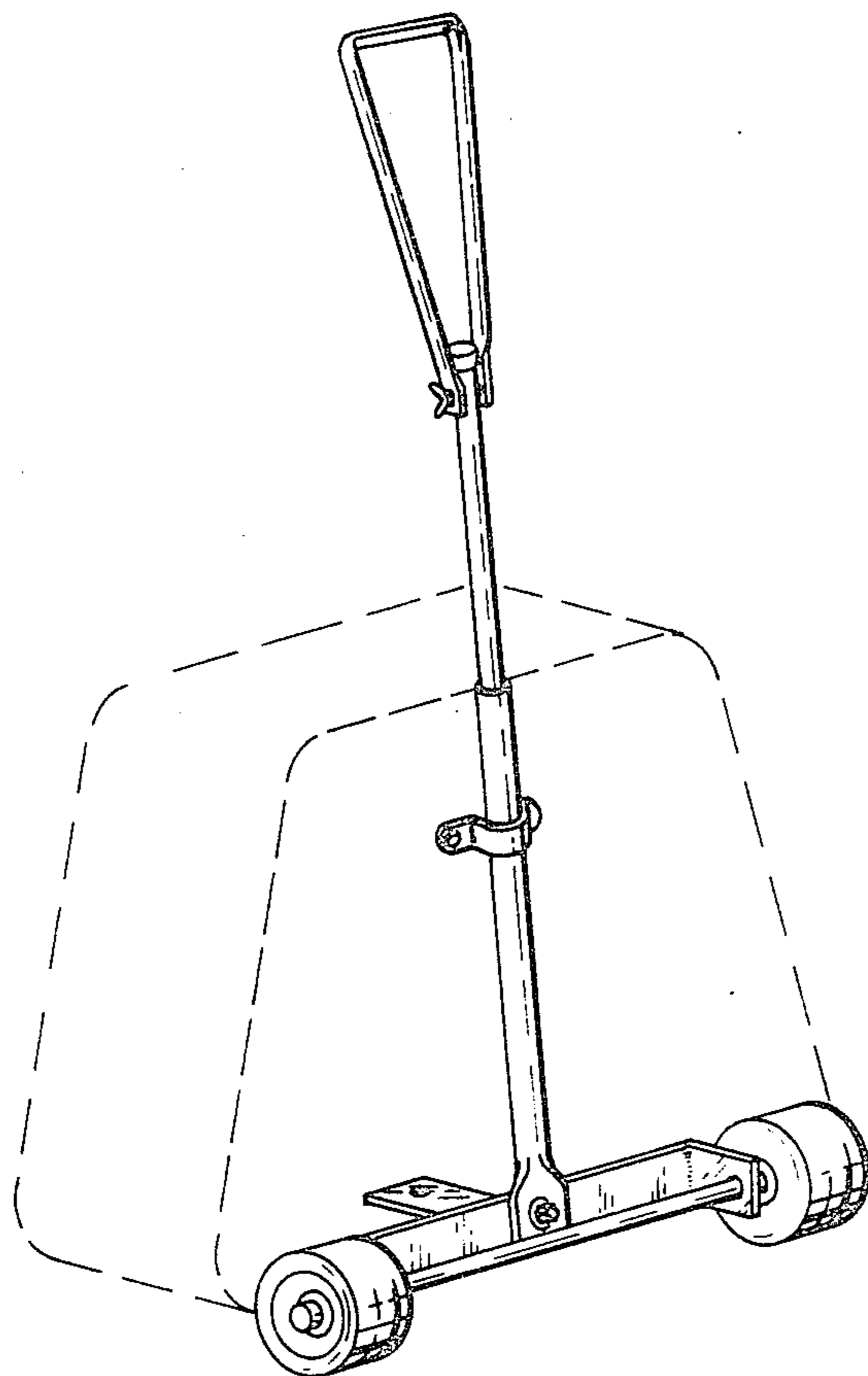


FIG. 1

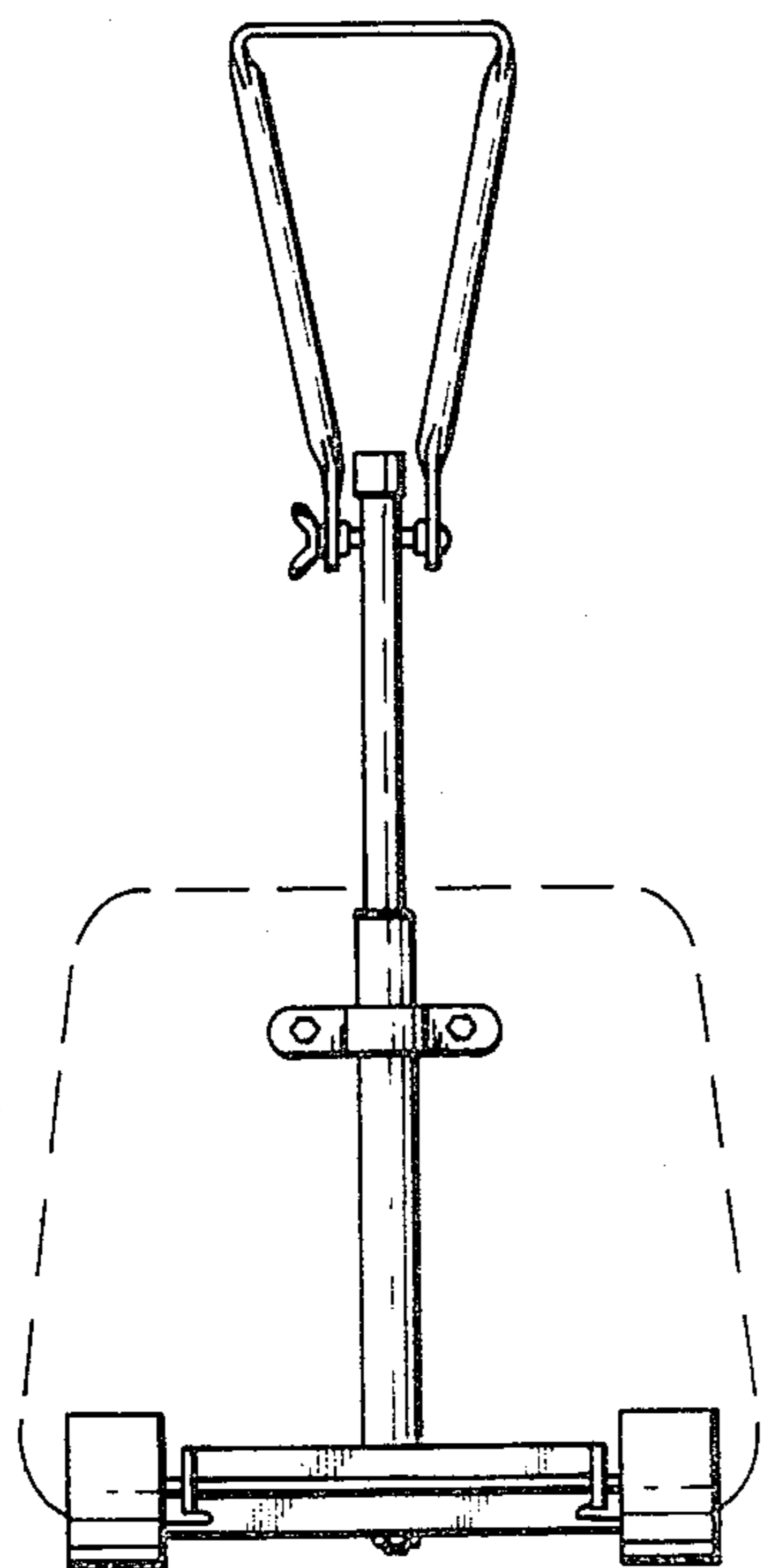


FIG. 2

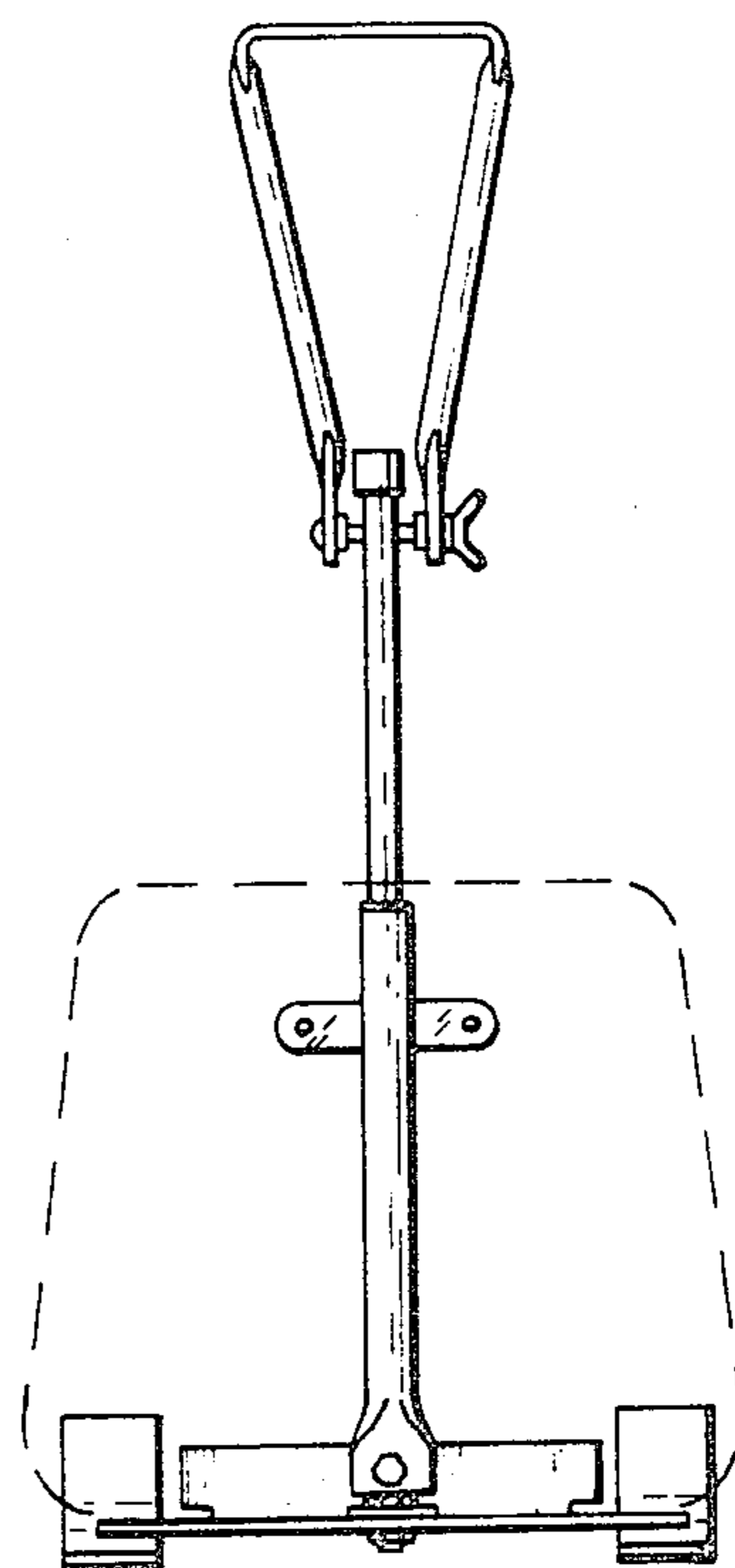


FIG. 3

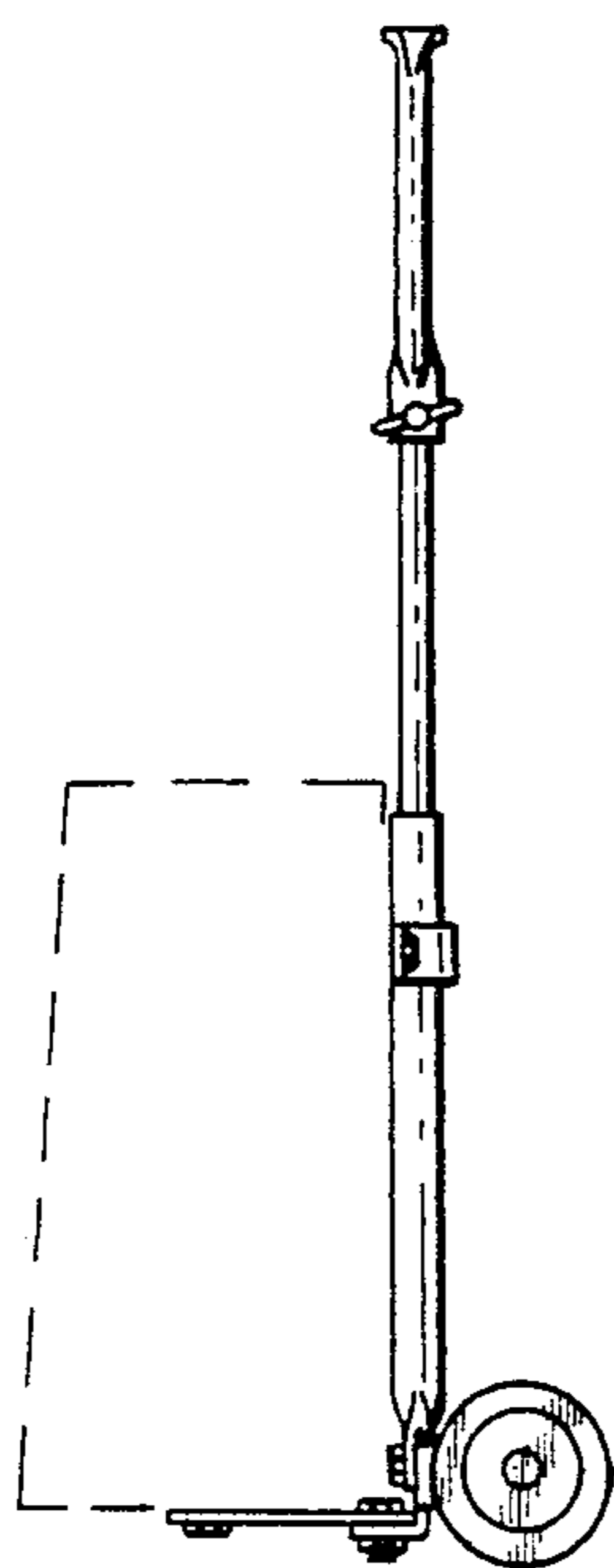


FIG. 4

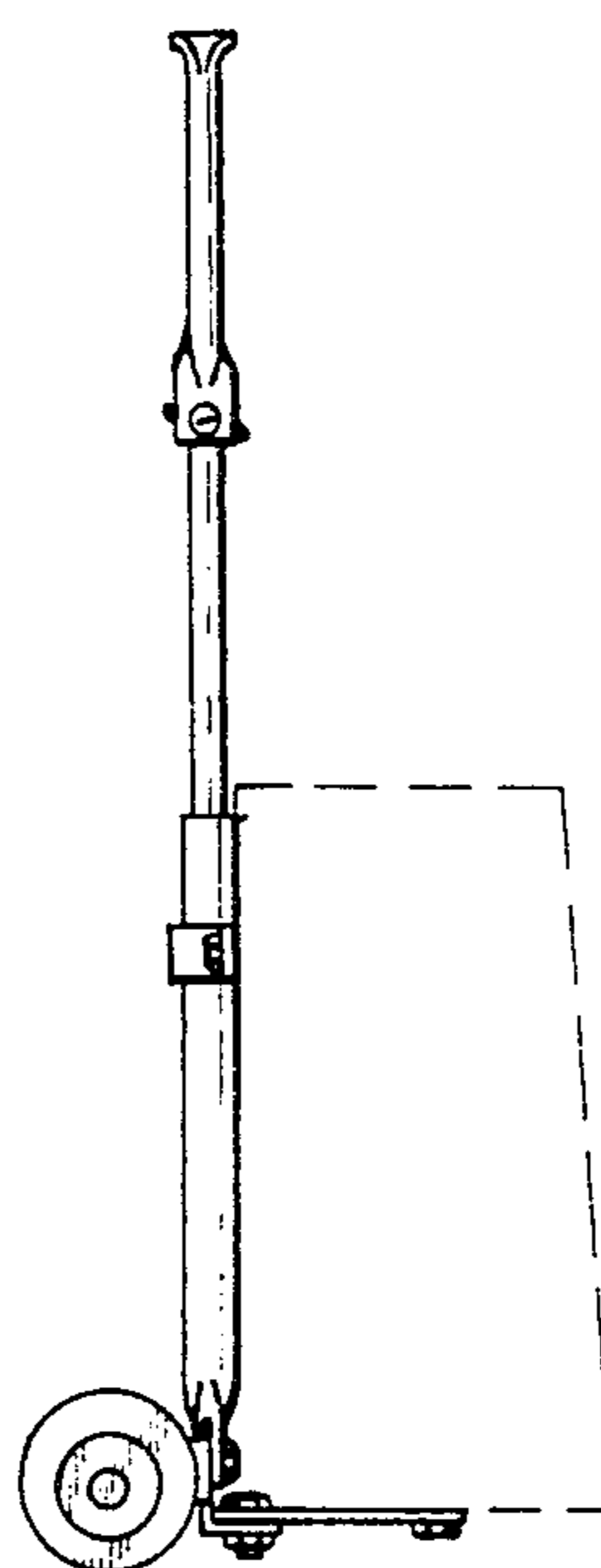


FIG. 5

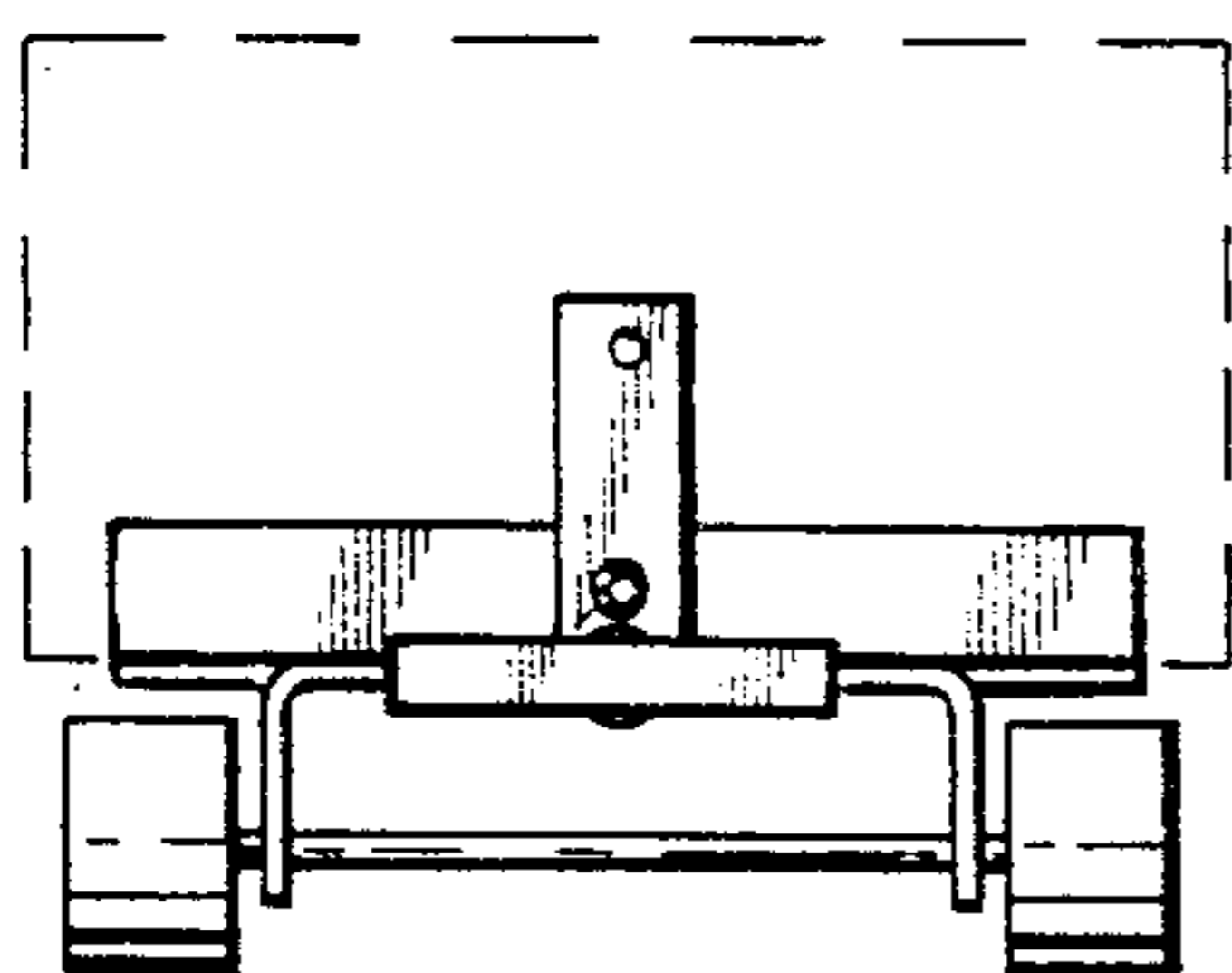


FIG. 6

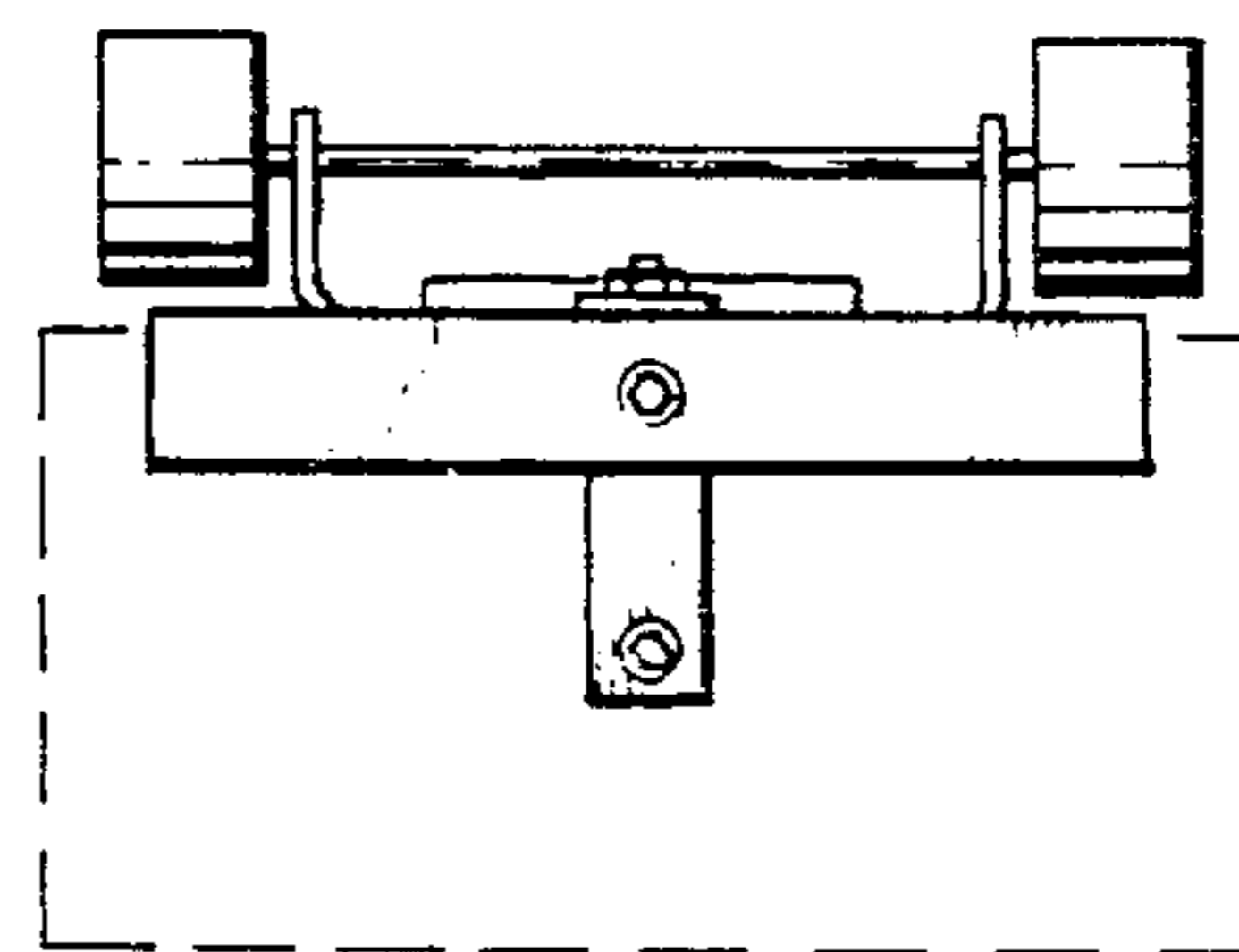


FIG. 7