

[54] COMBINED LITTER SCOOP AND SCRAPER

[75] Inventor: Peter F. Lordi, Highland, N.Y.

[73] Assignee: Ulster Manufacturing, Inc., Highland, N.Y.

[\*\*] Term: 14 Years

[21] Appl. No.: 475,023

[22] Filed: Mar. 14, 1983

[52] U.S. Cl. .... D30/99; D7/104

[58] Field of Search ..... D30/99; D7/104; D9/337; 294/1 B, 1 BA, 1 BB, 55

[56] References Cited

U.S. PATENT DOCUMENTS

D. 257,406	10/1980	Ouelletto .....	D30/99
D. 259,293	5/1981	Cooper .....	D30/99
D. 262,943	2/1982	Schadler .....	D9/337
2,666,309	1/1954	Anderson et al. ....	294/55 X
2,812,784	11/1957	Palmer .....	294/55 X
3,107,936	10/1963	Parsons .....	294/55
3,765,044	10/1973	Hanahan et al. ....	294/1 B X
3,885,266	5/1975	Nafziger .....	294/1 B
3,917,333	11/1975	Grattan .....	D30/99 X
3,995,807	12/1976	Dell'Anno .....	294/1 B

4,155,581	5/1979	Kanaga .....	294/1 B
4,186,955	2/1980	Campbell .....	294/1 B
4,222,598	9/1980	Ullger .....	294/1 B
4,251,097	2/1981	Whitten .....	294/1 B
4,272,116	6/1981	Tufte, Jr. ....	294/1 B
4,483,560	11/1984	Lordi .....	294/1 B

FOREIGN PATENT DOCUMENTS

2642524	3/1978	Fed. Rep. of Germany ....	294/1 B
---------	--------	---------------------------	---------

Primary Examiner—James R. Largen

Attorney, Agent, or Firm—Sixbey, Friedman & Leedom

[57] CLAIM

The ornamental design for a combined litter scoop and scraper, as shown and described.

DESCRIPTION

FIG. 1 is a perspective view taken from the top, front and right side of a combined litter scoop and scraper showing my new design;

FIG. 2 is a top plan view thereof;

FIG. 3 is a right side elevational view thereof, the left side being a mirror image of the right side shown;

FIG. 4 is a bottom plan view thereof;

FIG. 5 is a front elevational view thereof; and

FIG. 6 is a rear elevational view thereof.

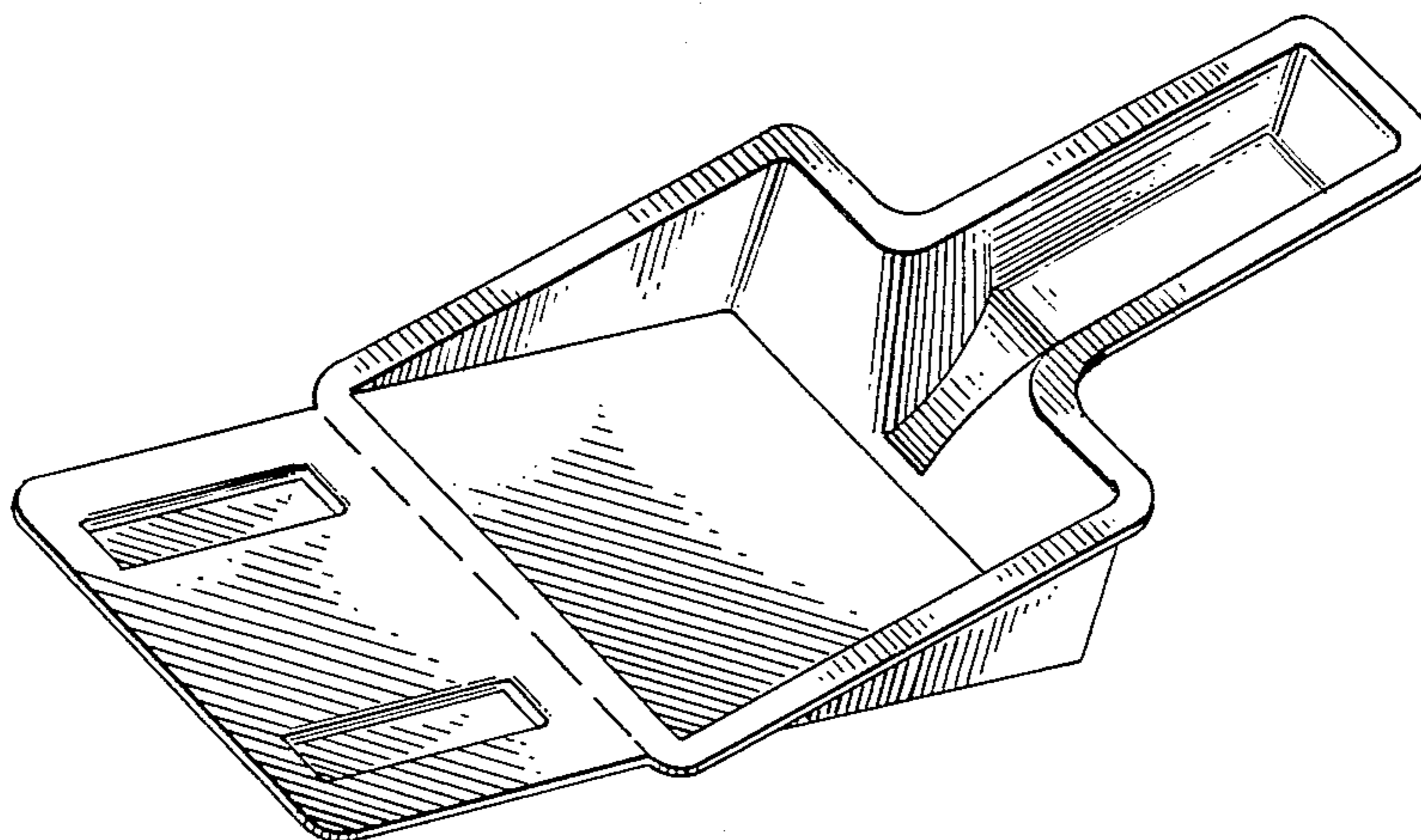


FIG. 1.

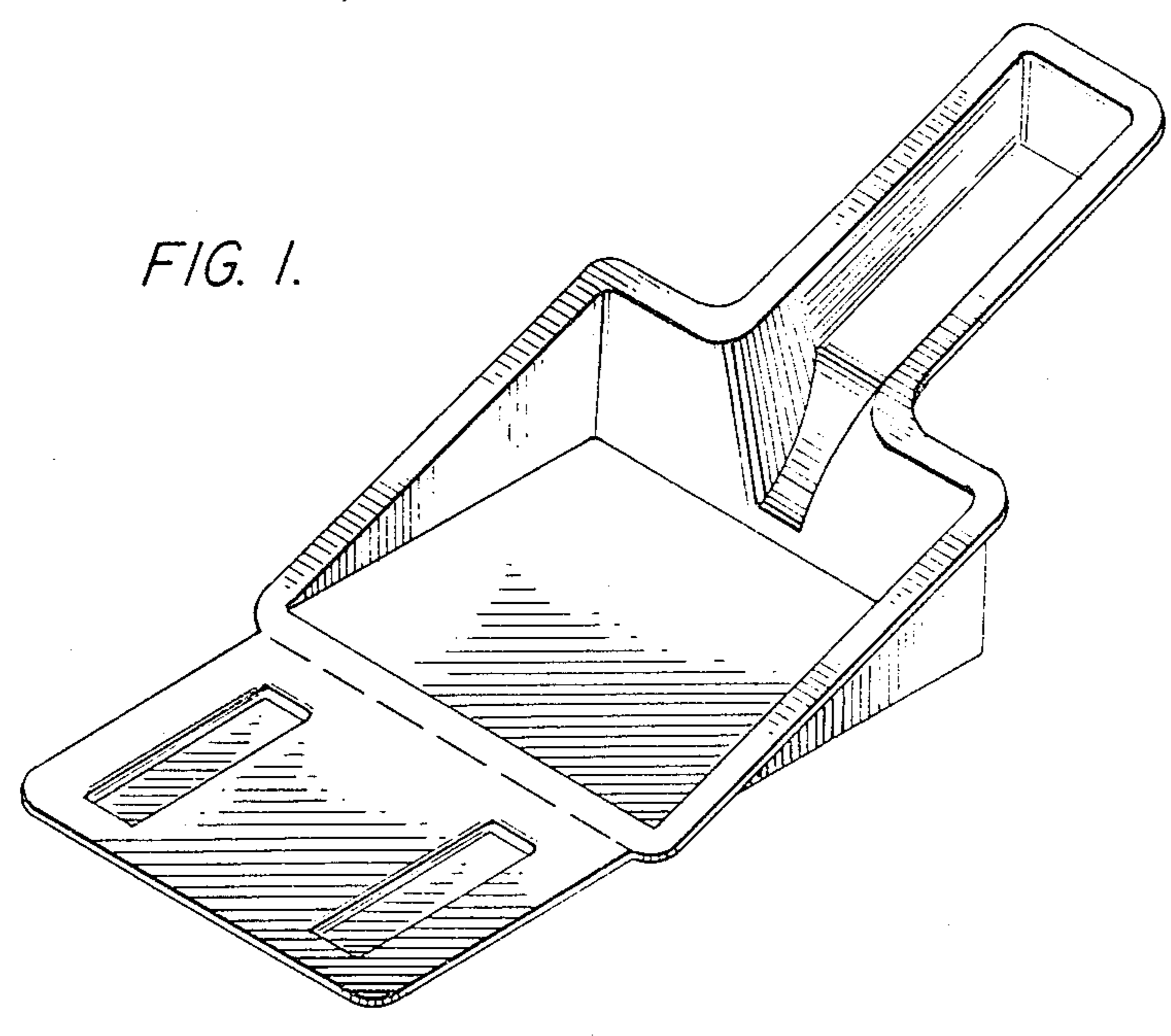


FIG. 2.

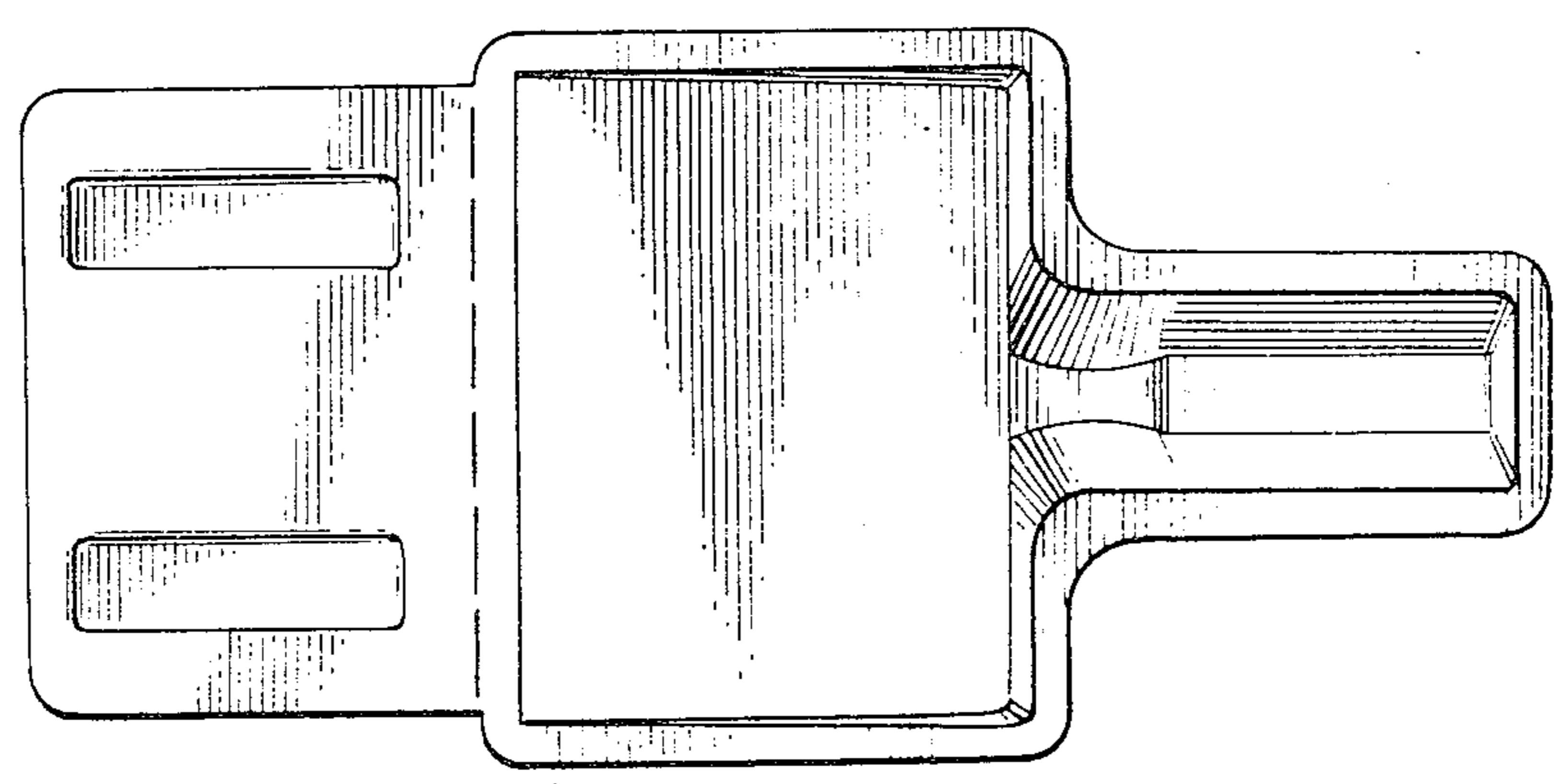


FIG. 3.

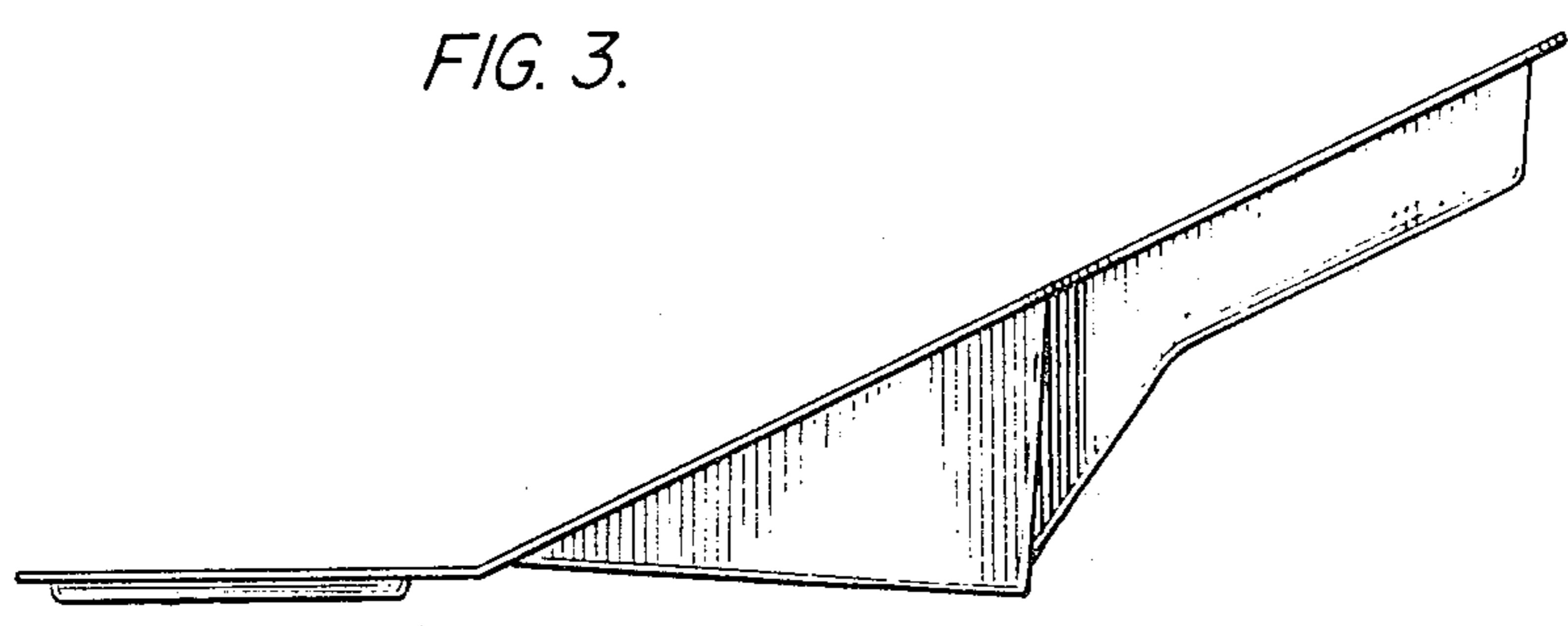


FIG. 4.

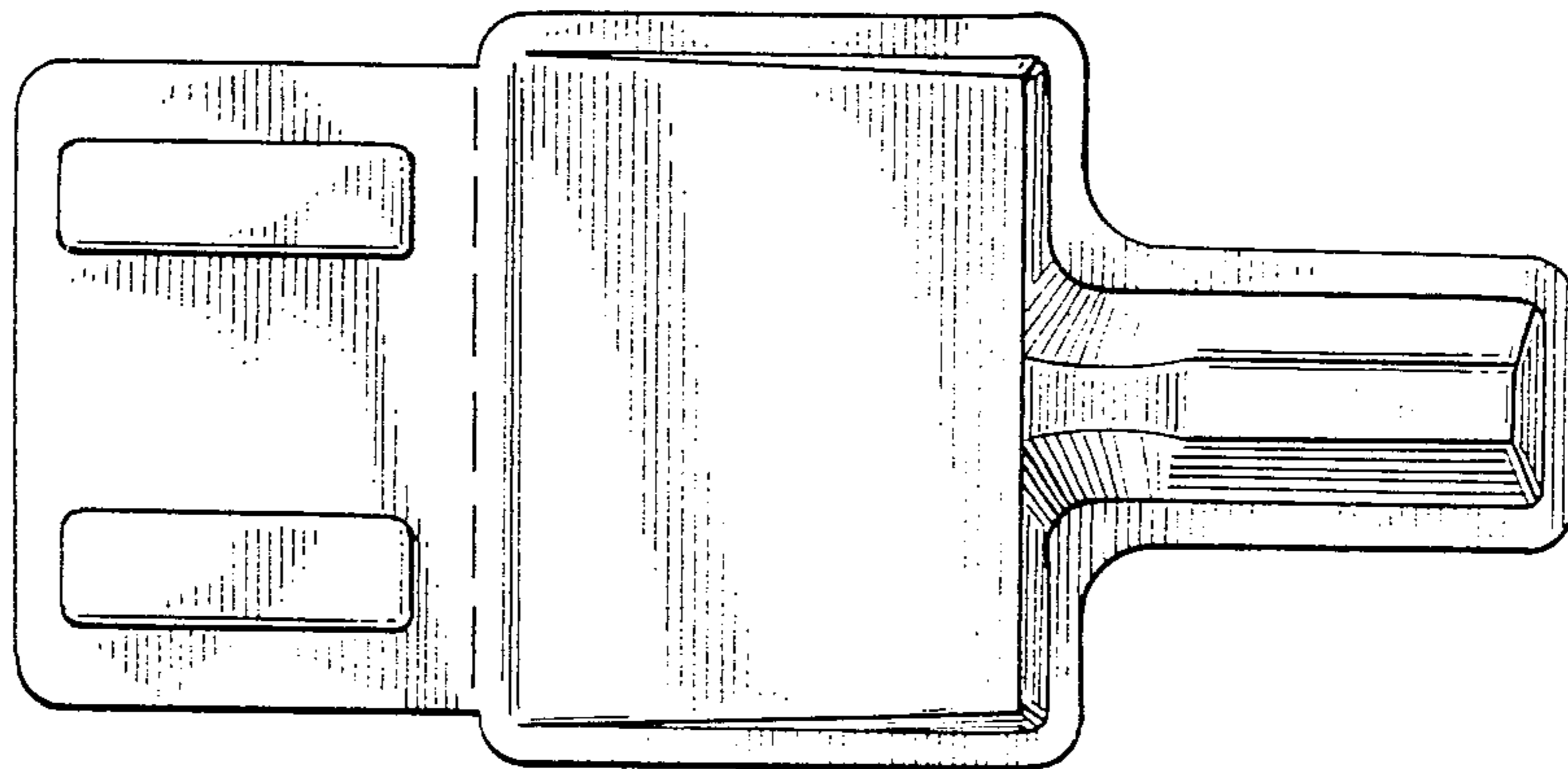


FIG. 5.

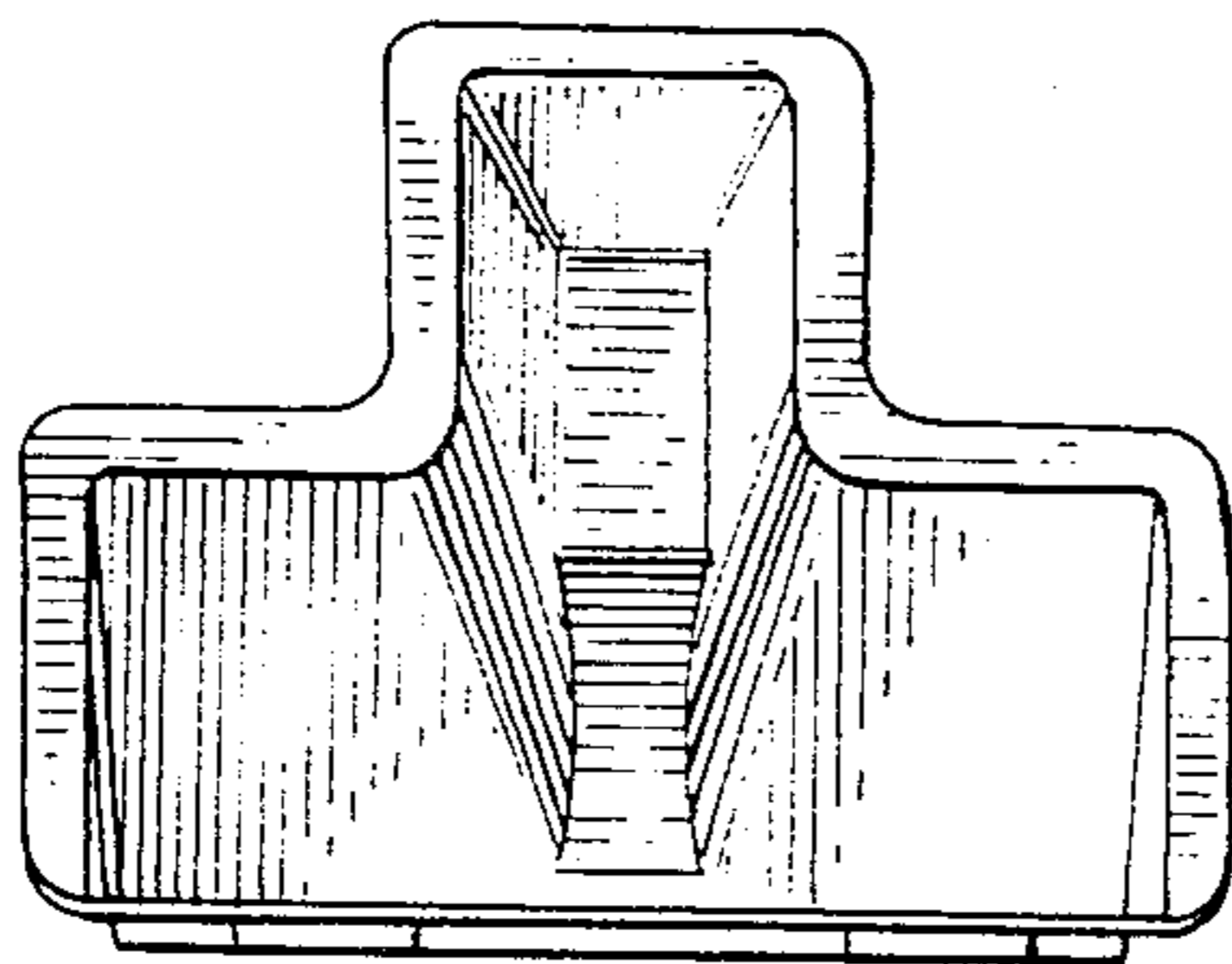


FIG. 6.

