

# United States Patent [19]

Thomas et al.

[11] Patent Number: **Des. 281,106**

[45] Date of Patent: **\*\* Oct. 22, 1985**

[54] **SCAFFOLD PLANK**

[75] Inventors: **Norman I. Thomas; Gunther Ilgoutz,**  
both of Victoria, Australia

[73] Assignee: **Chadwick Management Services Pty.**  
**Limited, New South Wales, Australia**

[\*\*] Term: **14 Years**

[21] Appl. No.: **386,592**

[22] Filed: **Jun. 9, 1982**

[30] **Foreign Application Priority Data**

Dec. 9, 1981 [AU] Australia ..... 86019

[52] U.S. Cl. .... **D25/68; D25/90**

[58] Field of Search ..... **D25/66, 64, 68, 69,**  
**D25/80, 74, 90; 182/222, 223**

[56] **References Cited**

**U.S. PATENT DOCUMENTS**

D. 183,691 10/1958 Grover ..... D25/6 X  
3,093,216 6/1963 Dunham ..... 182/222 X

3,556,254 1/1971 Lambert et al. .... 182/223

**FOREIGN PATENT DOCUMENTS**

405326 2/1934 United Kingdom ..... 182/222

54274 5/1970 Australia .

431406 12/1970 Australia .

79572 2/1981 Australia .

*Primary Examiner*—A. Hugo Word

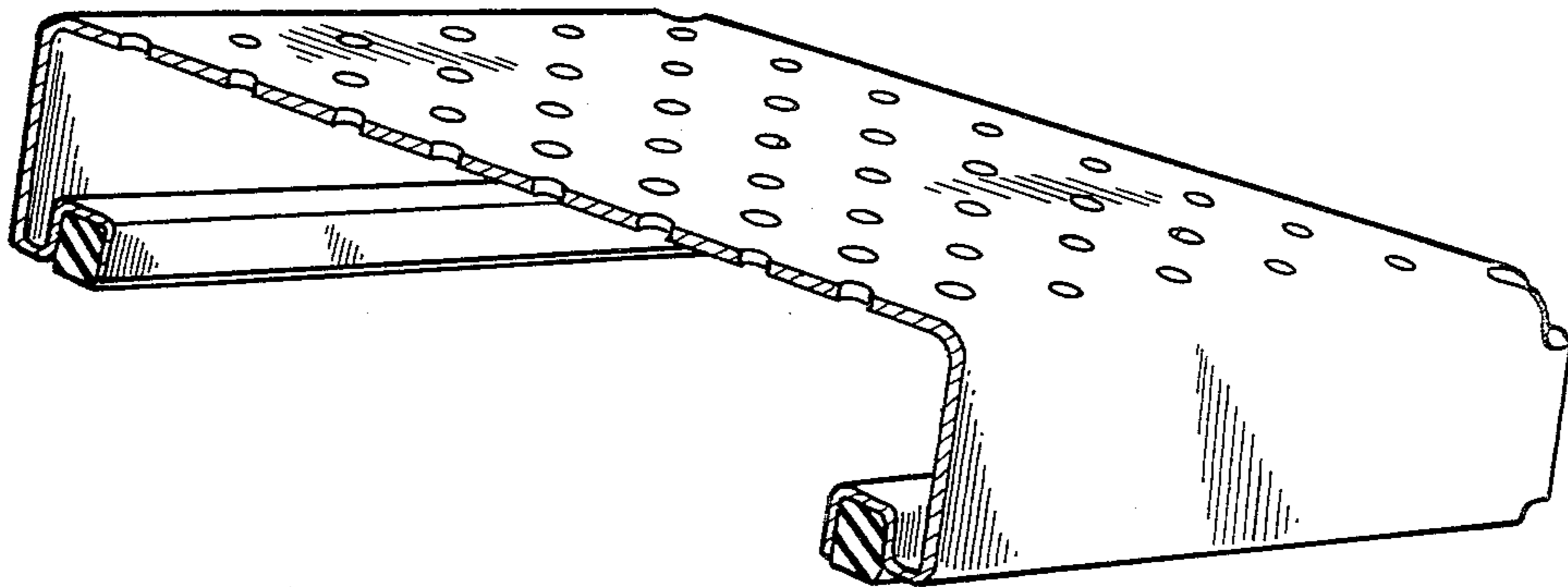
*Attorney, Agent, or Firm*—Armstrong, Nikaido,  
Marmelstein & Kubovcik

[57] **CLAIM**

The ornamental design for a scaffold plank, as shown and described.

**DESCRIPTION**

FIG. 1 is a top left front perspective view of a scaffold plank showing our new design, the right and rear sides being the same as the left and front sides respectively; FIG. 2 is a perspective view thereof from beneath; and FIG. 3 is an enlarged profile cross-sectional view thereof taken at 3—3 of FIG. 1.



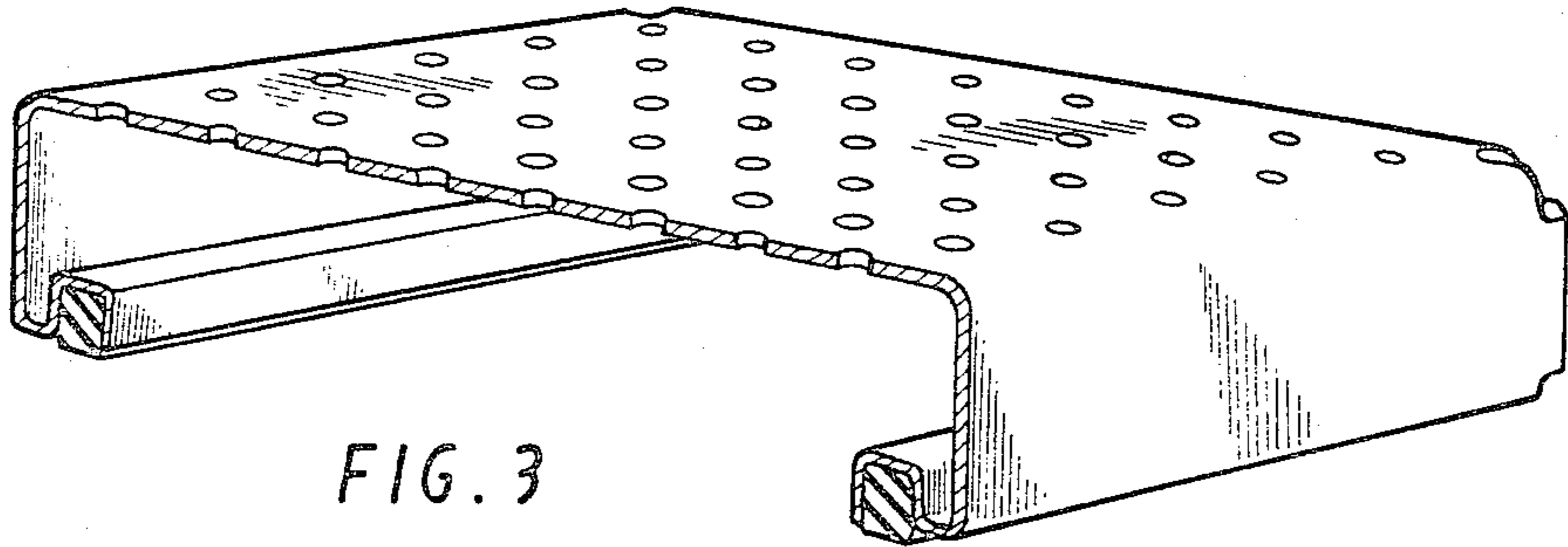


FIG. 3

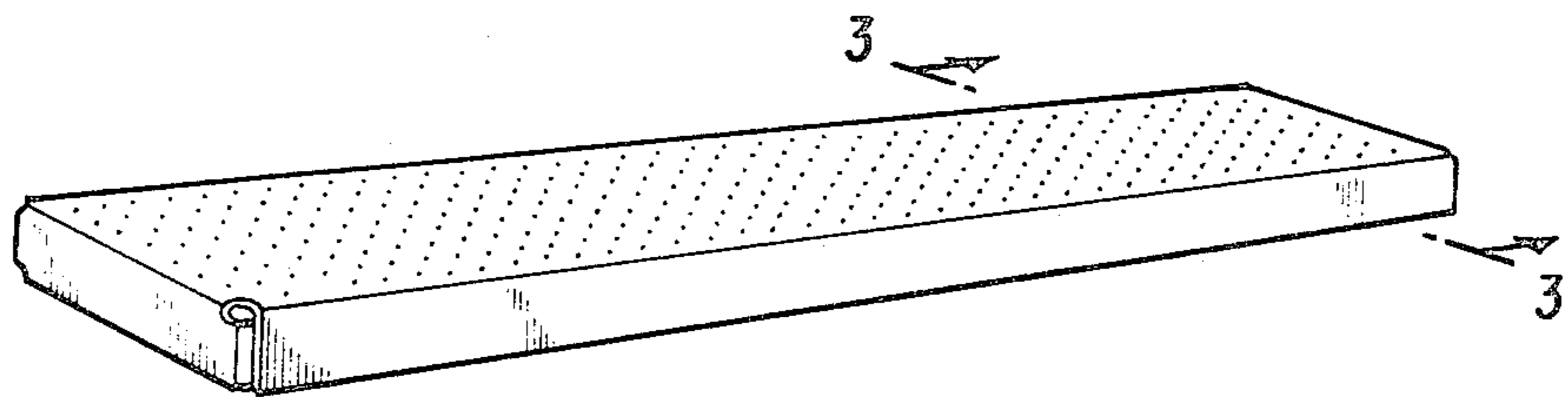


FIG. 1

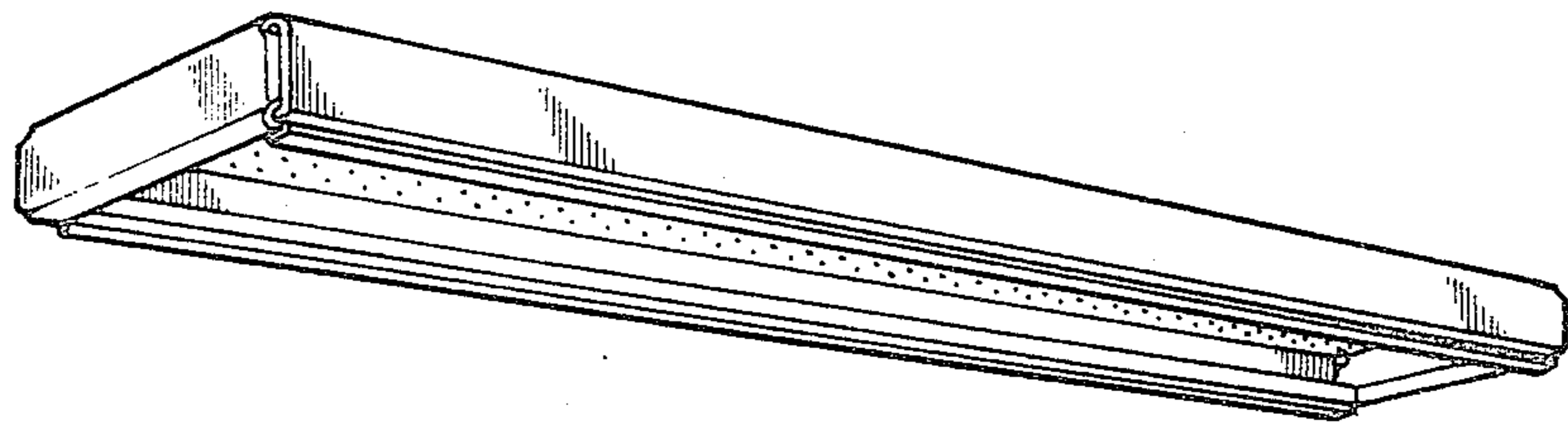


FIG. 2