

[54] **SERRATED SURGICAL SCISSORS**

D. 254,090 1/1980 Perry D24/27

[75] **Inventor: John A. Davison, Sandy, Utah**

OTHER PUBLICATIONS

[73] **Assignee: Adler Instrument Company, Atlanta, Ga.**

V. Mueller & Co. Catalog, #65- ©1963-p. 92-Scissors "A" and p. 97-Scissors I.

[**] **Term: 14 Years**

Primary Examiner—Catherine E. Kemper
Attorney, Agent, or Firm—Jones & Askew

[21] **Appl. No.: 423,987**

[22] **Filed: Sep. 27, 1982**

[52] **U.S. Cl. D24/27; D24/28; D8/57**

[58] **Field of Search D24/28, 27; D8/57; 30/194, 254, 341, 355, 357; 128/303 R, 305, 318, 321, 322, 325, 346**

[57] **CLAIM**

The ornamental design for the serrated surgical scissors, as shown and described.

[56] **References Cited**

DESCRIPTION

U.S. PATENT DOCUMENTS

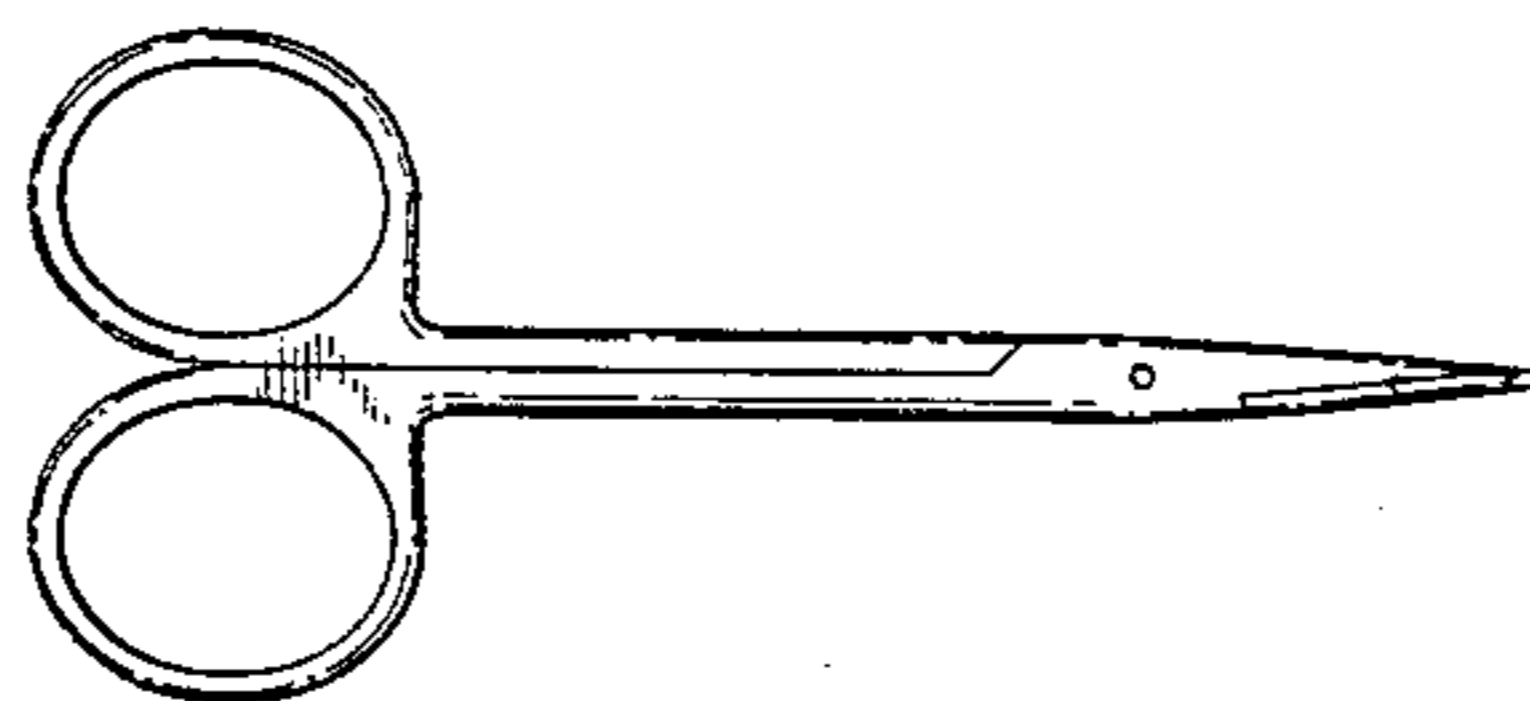
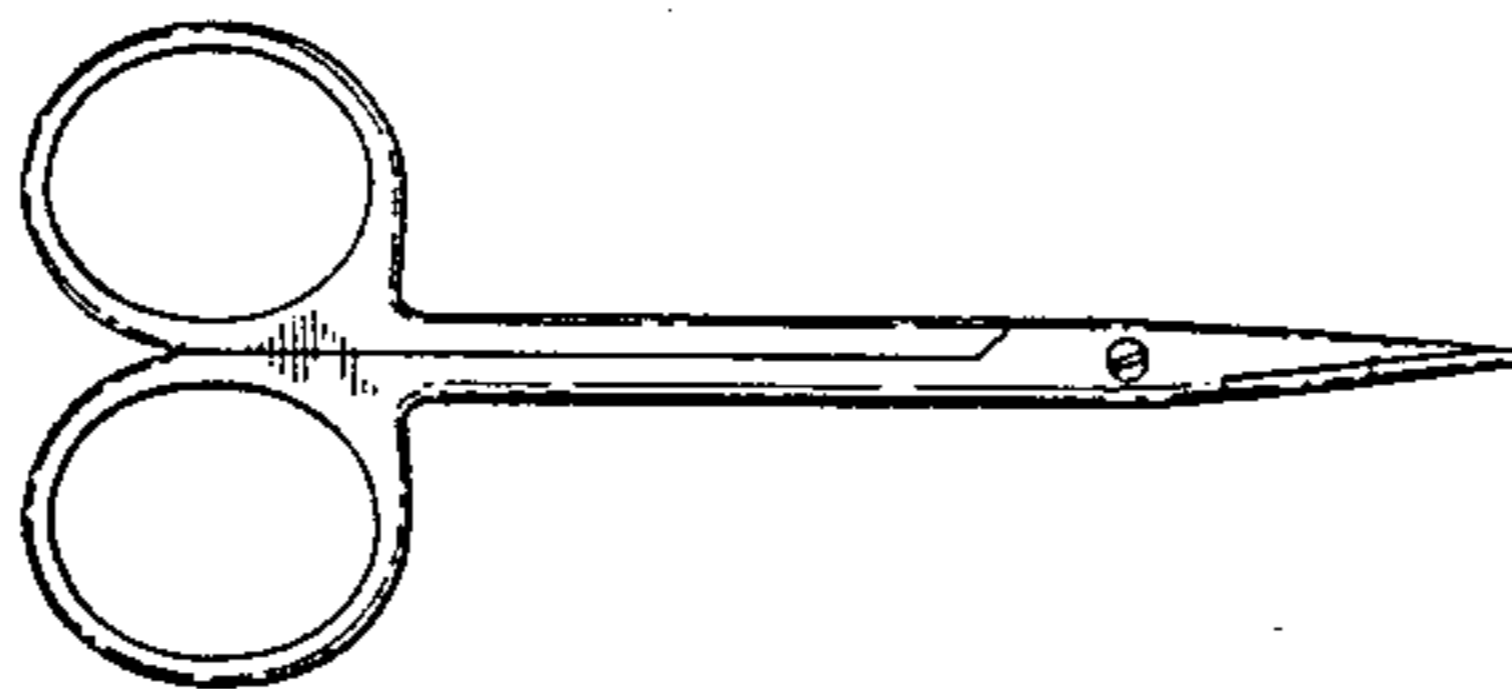
D. 206,311 11/1966 Eizenberg D24/27

FIG. 1 is a top plan view of a serrated surgical scissors, showing my new design.

FIG. 2 is a bottom plan view thereof.

FIG. 3 is a side elevational view thereof.

FIG. 4 is an enlarged fragmentary top plan view of the scissors with the blades opened.



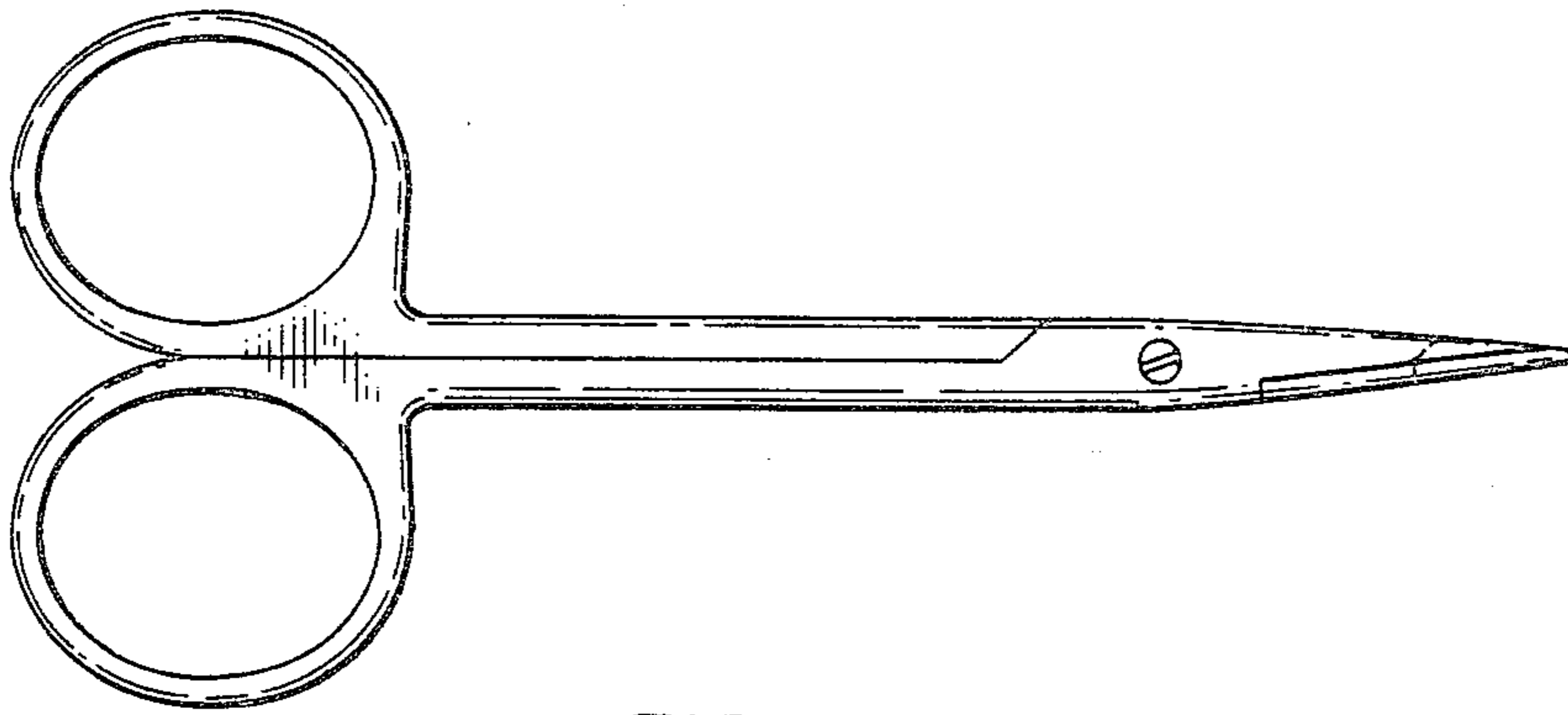


FIG. 1

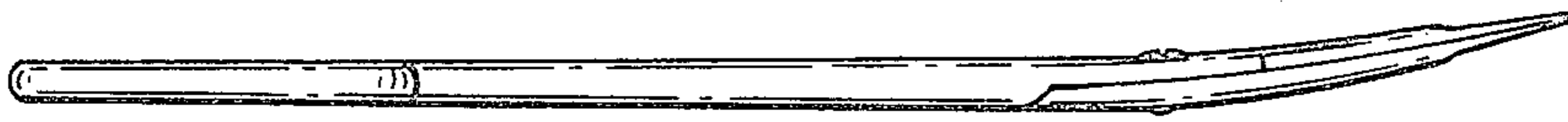


FIG. 3

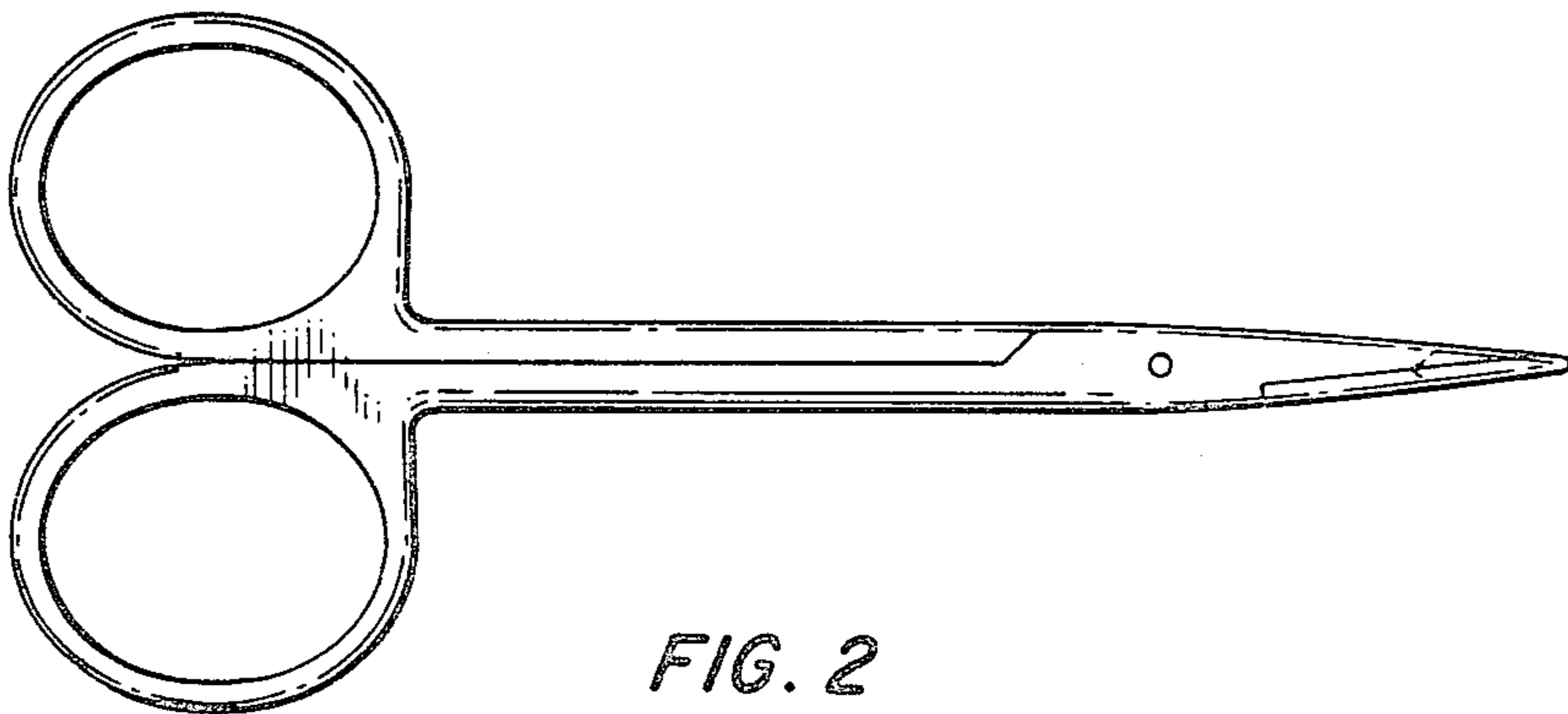


FIG. 2

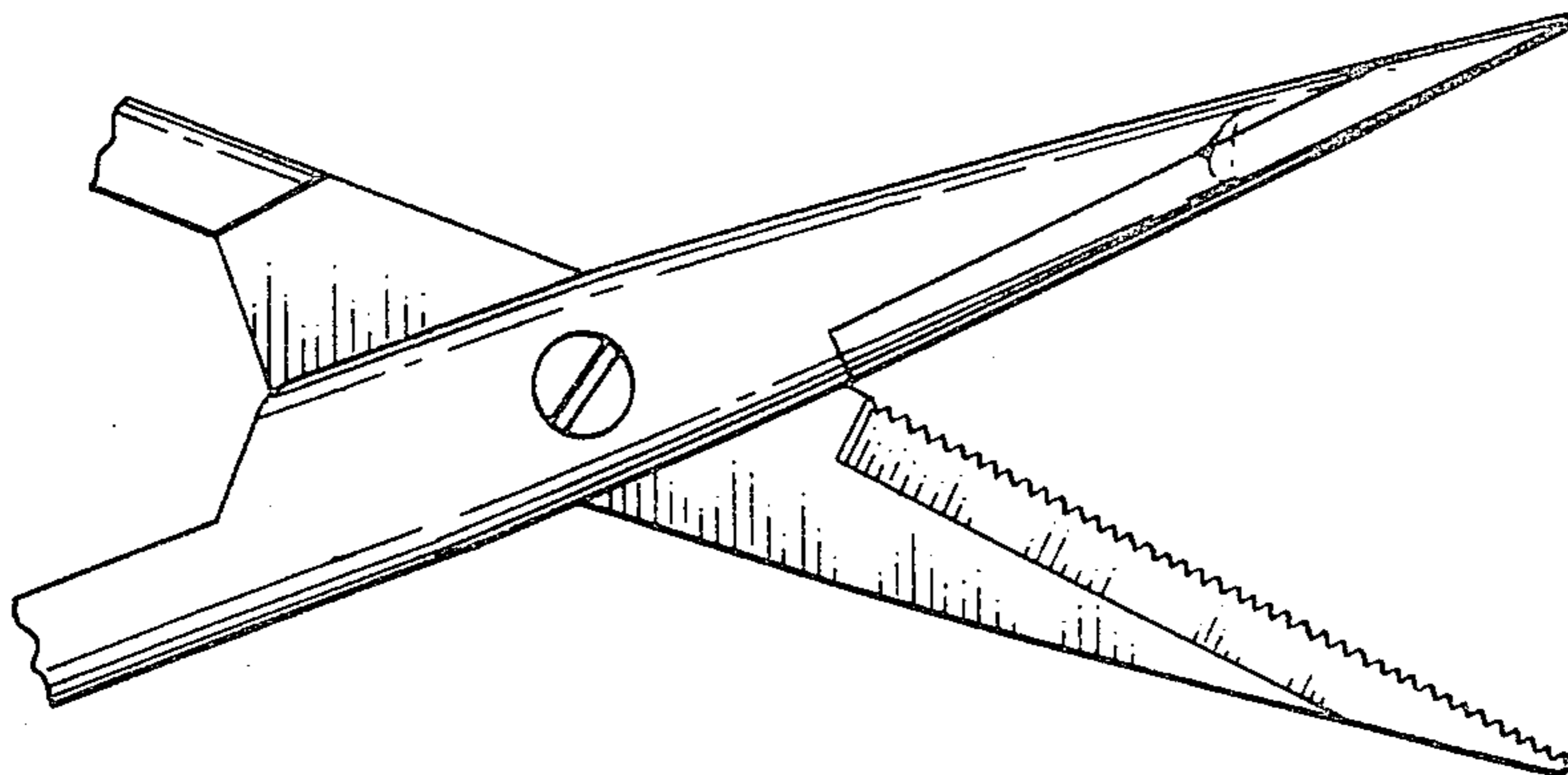


FIG. 4