

# United States Patent [19]

Heimovics et al.

[11] Patent Number: **Des. 281,093**

[45] Date of Patent: **\*\* Oct. 22, 1985**

[54] FISHING REEL

[75] Inventors: **John G. Heimovics**, Highland Park, Ill.; **Richard J. Robbins**, Derby, Kans.; **Robert W. Fee**, Ransom Canyon, Tex.; **Shau-Min Liu**, Wichita, Kans.

[73] Assignee: **Brunswick Corporation**, Skokie, Ill.

[\*\*] Term: **14 Years**

[21] Appl. No.: **501,781**

[22] Filed: **Jun. 13, 1983**

[52] U.S. Cl. .... **D22/25**

[58] Field of Search ..... **D22/25; 242/84.1 R, 242/84.1 A, 84.2 R, 84.2 A, 84.2 F, 84.21 A, 84.4**

[56] **References Cited**

**U.S. PATENT DOCUMENTS**

2,913,193 11/1959 Underwood et al. .... **D22/25 X**

3,794,264 2/1974 Hull ..... **D22/25 X**  
4,331,303 5/1982 Moss ..... **D22/25 X**  
4,361,293 11/1982 Baenziger ..... **D22/25 X**

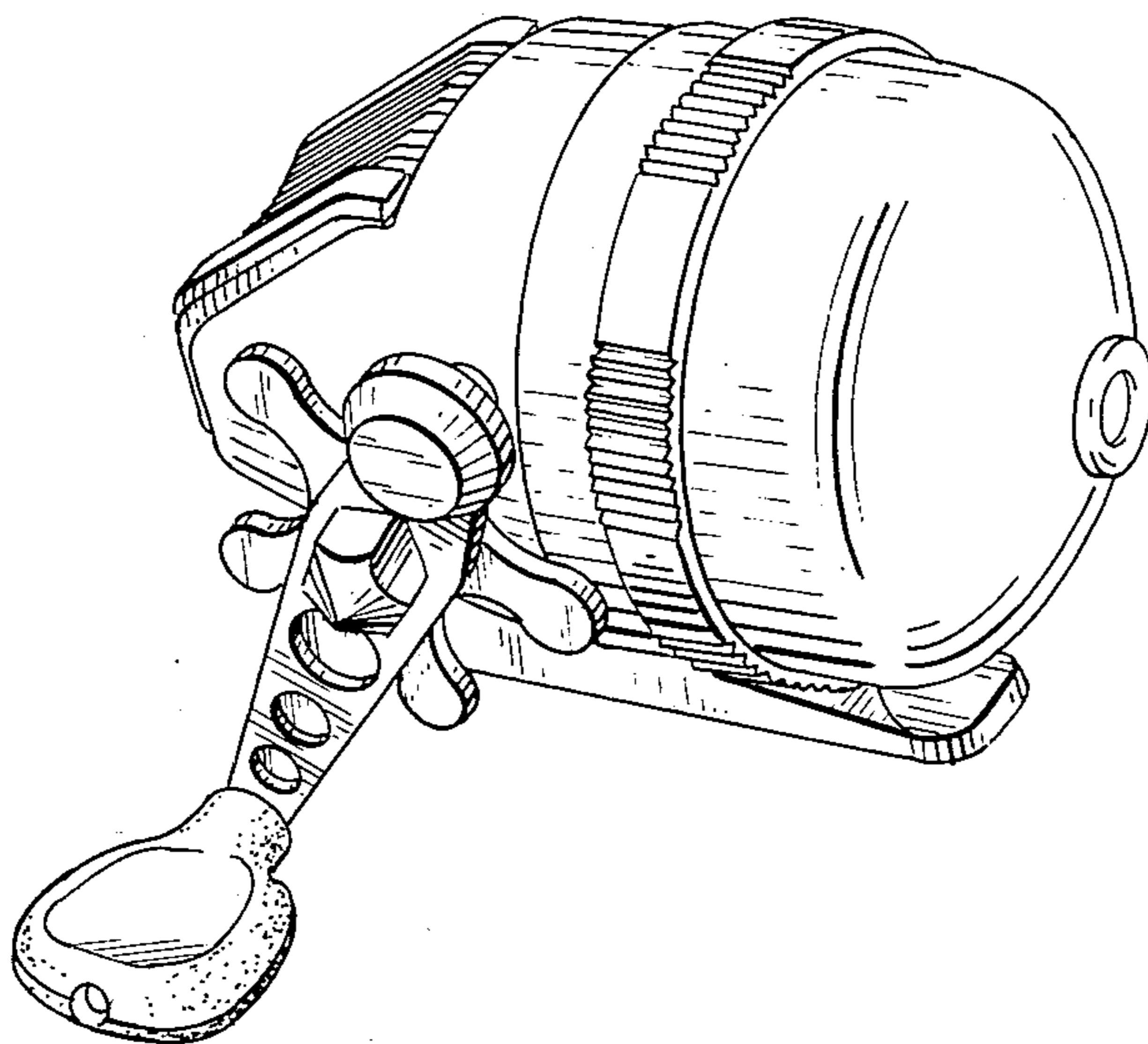
*Primary Examiner*—A. Hugo Word  
*Attorney, Agent, or Firm*—Wood, Dalton, Phillips, Mason & Rowe

[57] **CLAIM**

The ornamental design for a fishing reel, as shown and described.

**DESCRIPTION**

FIG. 1 is a perspective view of a front and side portion of the fishing reel showing our new design; FIG. 2 is a front elevation view thereof; FIG. 3 is a top plan view thereof; FIG. 4 is a side elevation view thereof; FIG. 5 is a back elevation view thereof; FIG. 6 is a bottom plan view thereof; and, FIG. 7 is a side elevation view opposite to the view shown in FIG. 4.



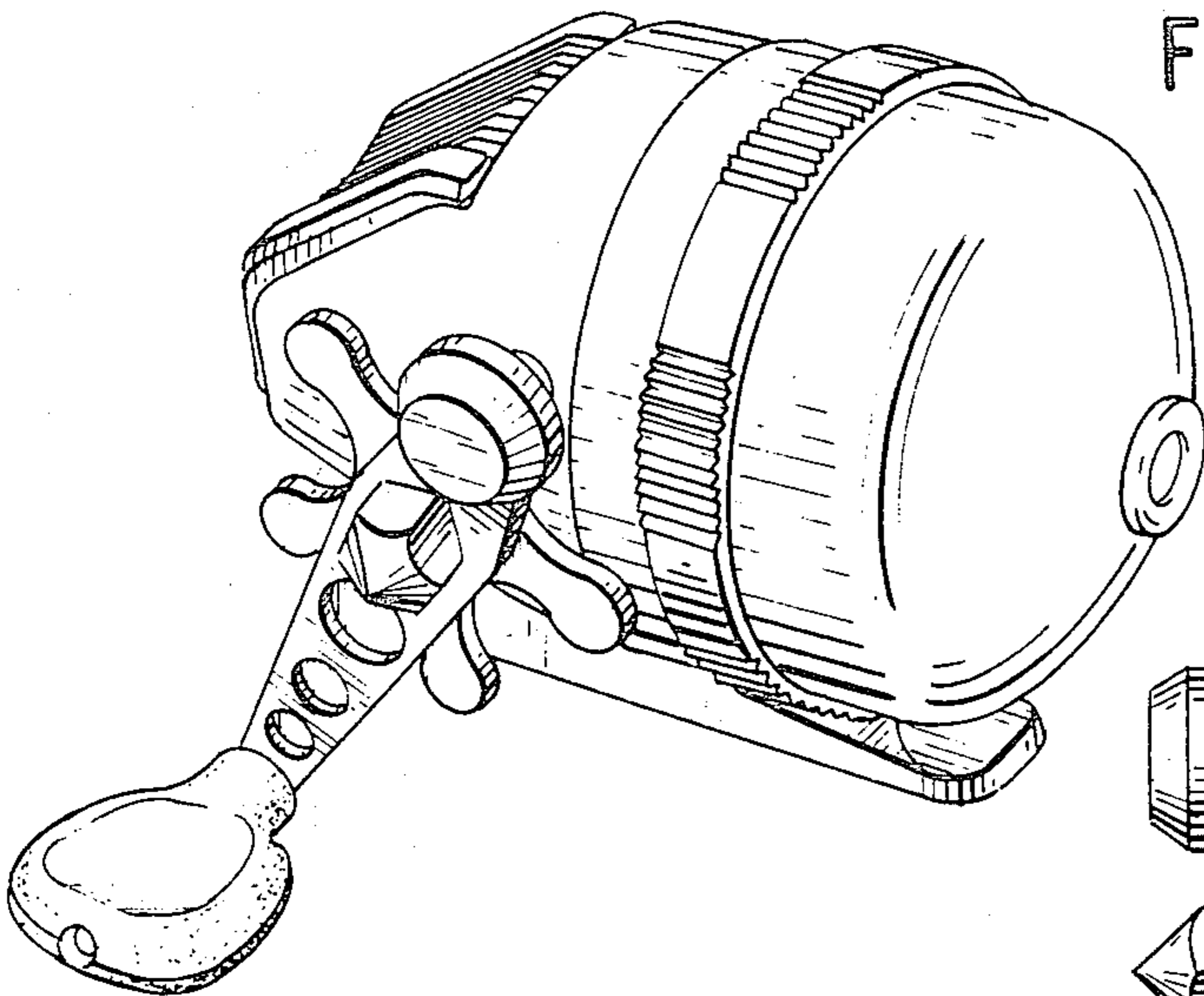


FIG. 1

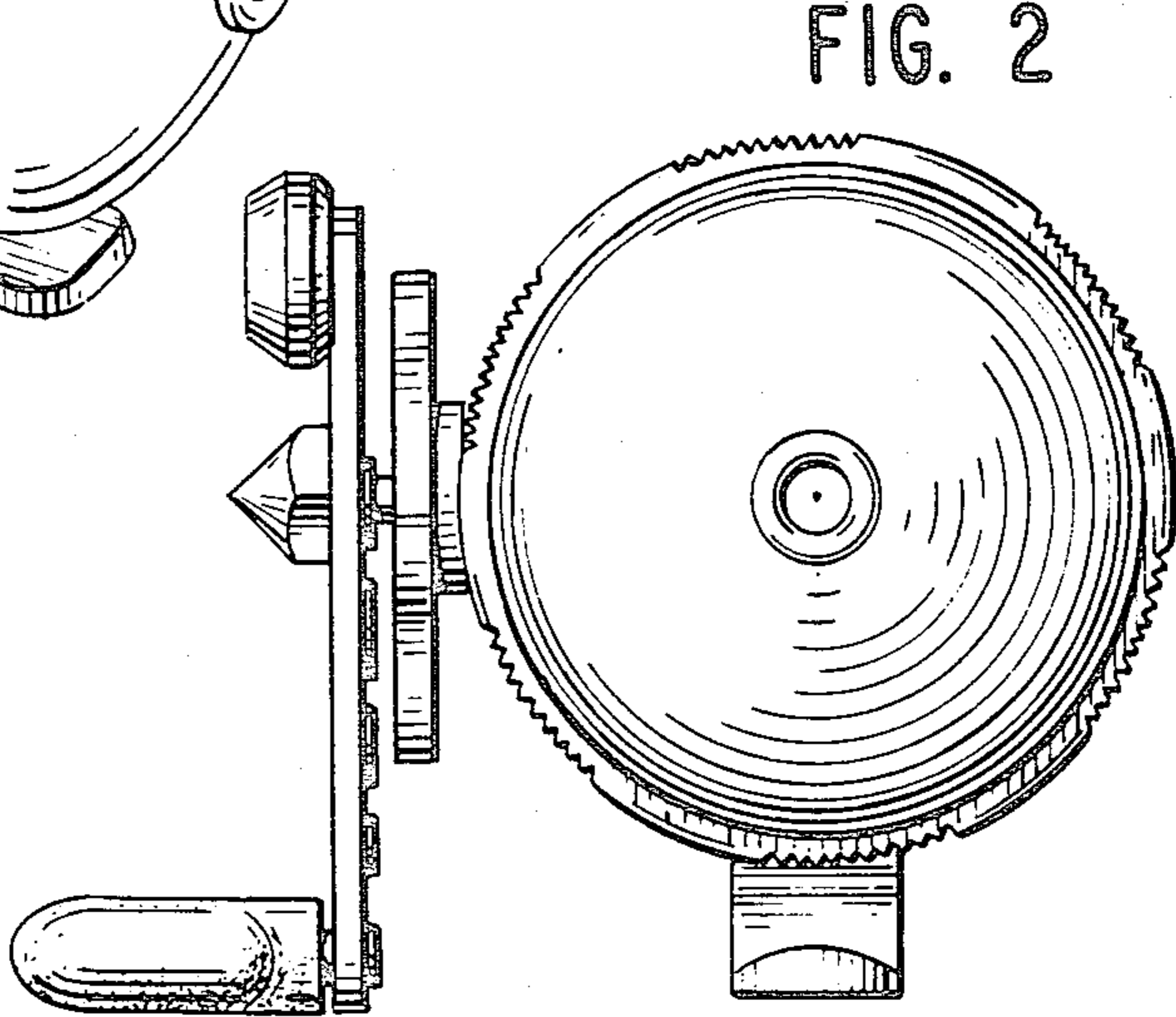


FIG. 2

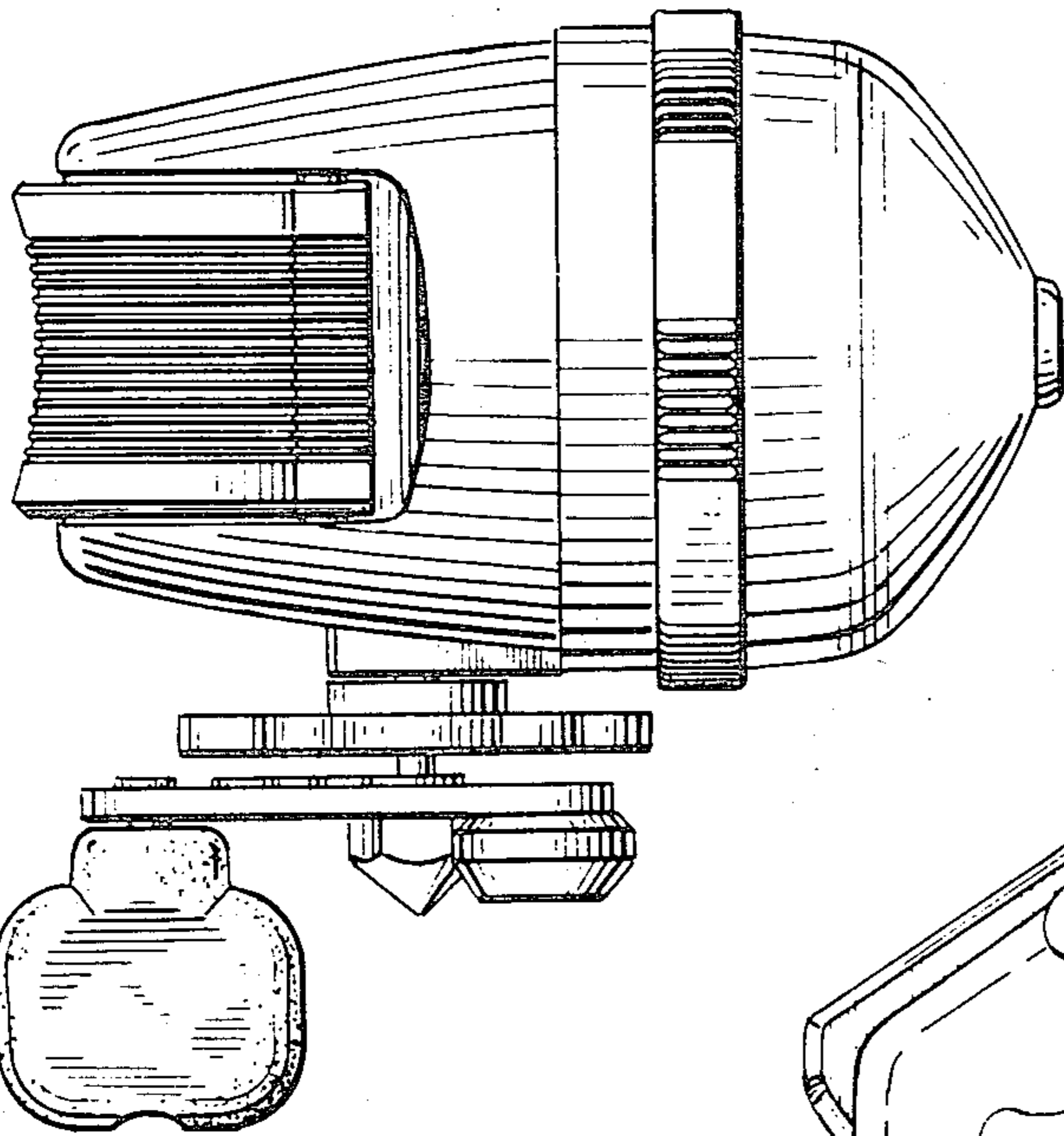


FIG. 3

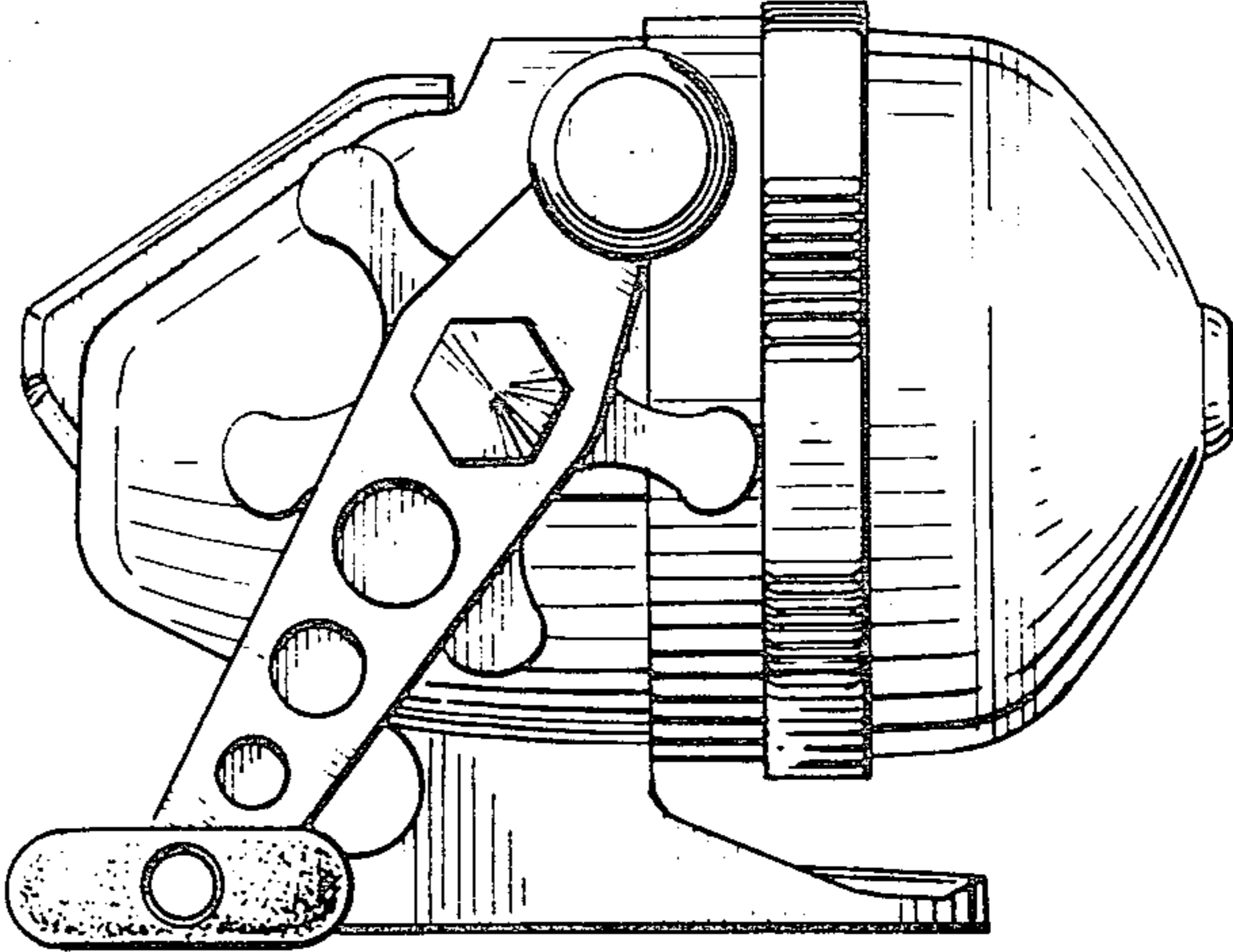


FIG. 4

FIG. 5

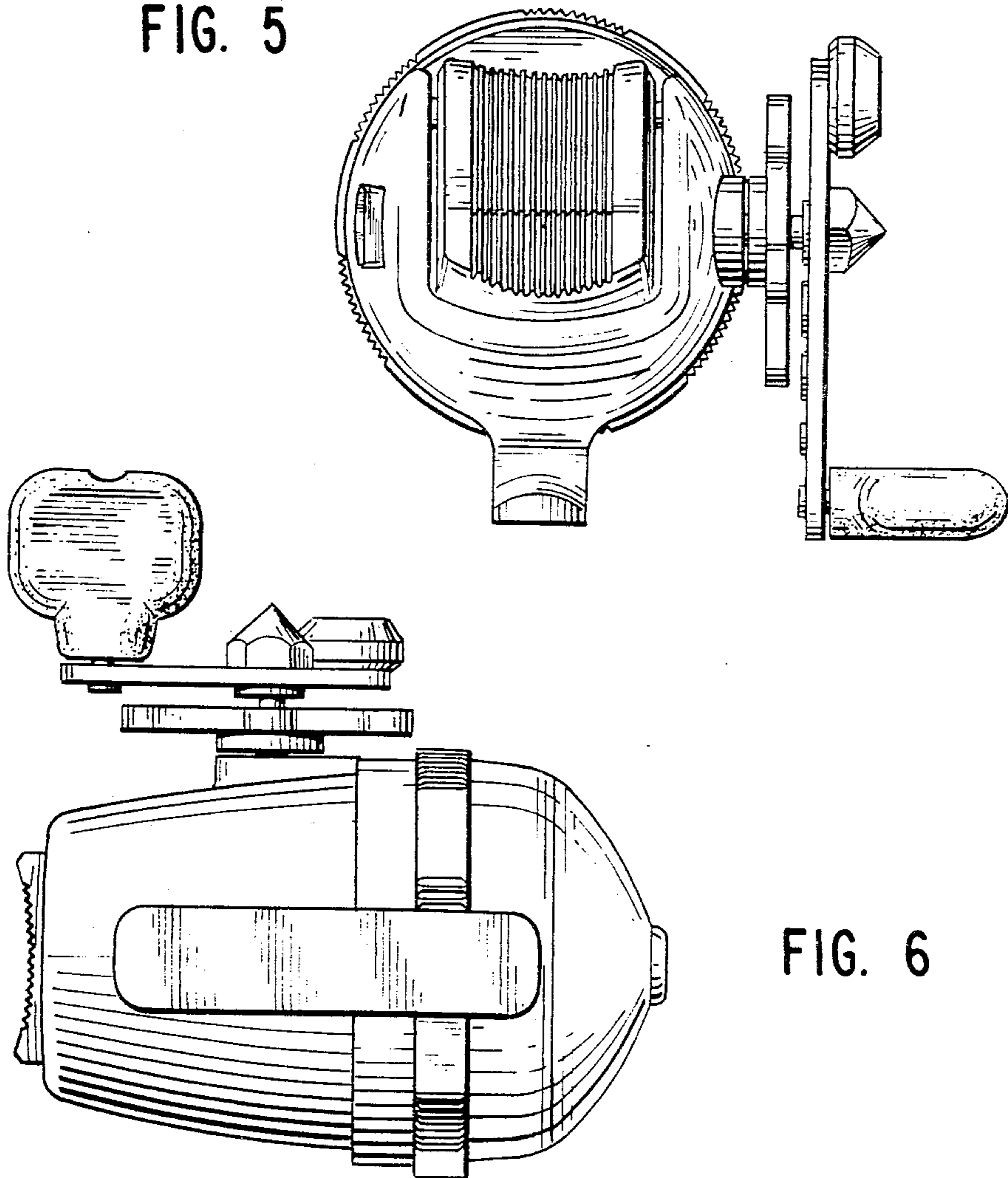


FIG. 6

FIG. 7

