

[54] **TOY ROBOT CONVERTIBLE INTO AN AIRPLANE**
[75] Inventor: **Katsushi Murakami, Tokyo, Japan**
[73] Assignee: **Bandai Co., Ltd., Japan**
[**] Term: **14 Years**
[21] Appl. No.: **418,831**
[22] Filed: **Sep. 16, 1982**
[52] U.S. Cl. **D21/150; D21/87**
[58] Field of Search **D21/150, 148, 166, 87; 46/22, 17, 115, 116, 201, 202**

4,391,060 7/1983 Nakane 46/17
Primary Examiner—Melvin B. Feifer
Attorney, Agent, or Firm—R. Gale Rhodes, Jr.

[57] **CLAIM**
The ornamental design for toy robot convertible into an airplane, as shown and described.

DESCRIPTION

FIG. 1 is a front elevation view of a toy robot convertible into an airplane showing my new design;
FIG. 2 is a rear elevation view of the toy robot;
FIG. 3 is a right side elevation view of the toy robot, a left side elevation view being omitted which is symmetrical thereto;
FIG. 4 is a top plan view of the toy robot;
FIG. 5 is a bottom plan view of the toy robot; and
FIG. 6 is a modified form of the toy robot when converted to an airplane;
FIG. 7 is a top plan view of FIG. 6.

[56] **References Cited**
U.S. PATENT DOCUMENTS
4,095,367 6/1978 Ogawa 46/120
4,170,840 10/1979 Ogawa 46/22
4,183,173 1/1980 Ogawa 46/22
4,206,564 6/1980 Ogawa 46/22

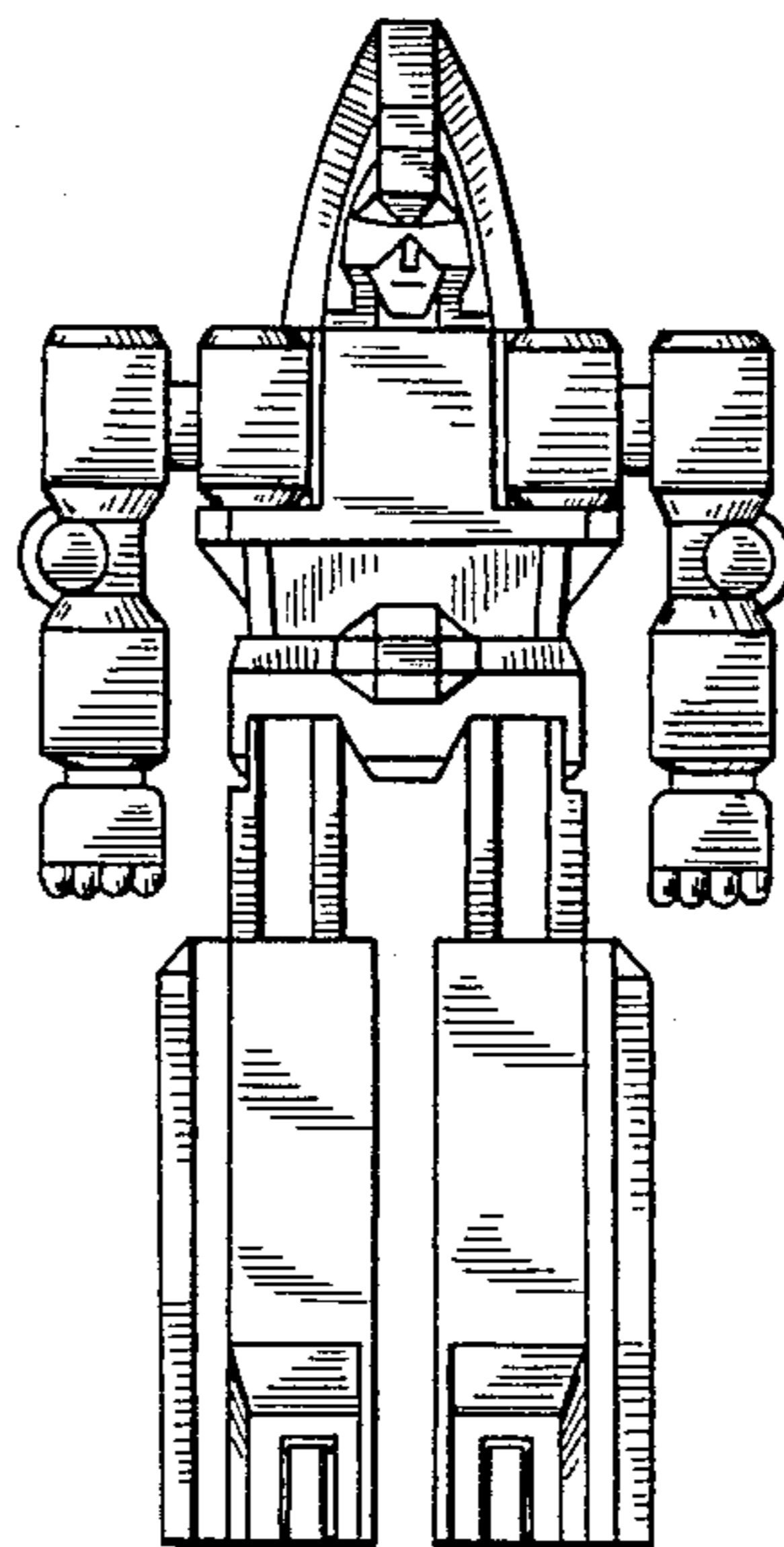


FIG. 2

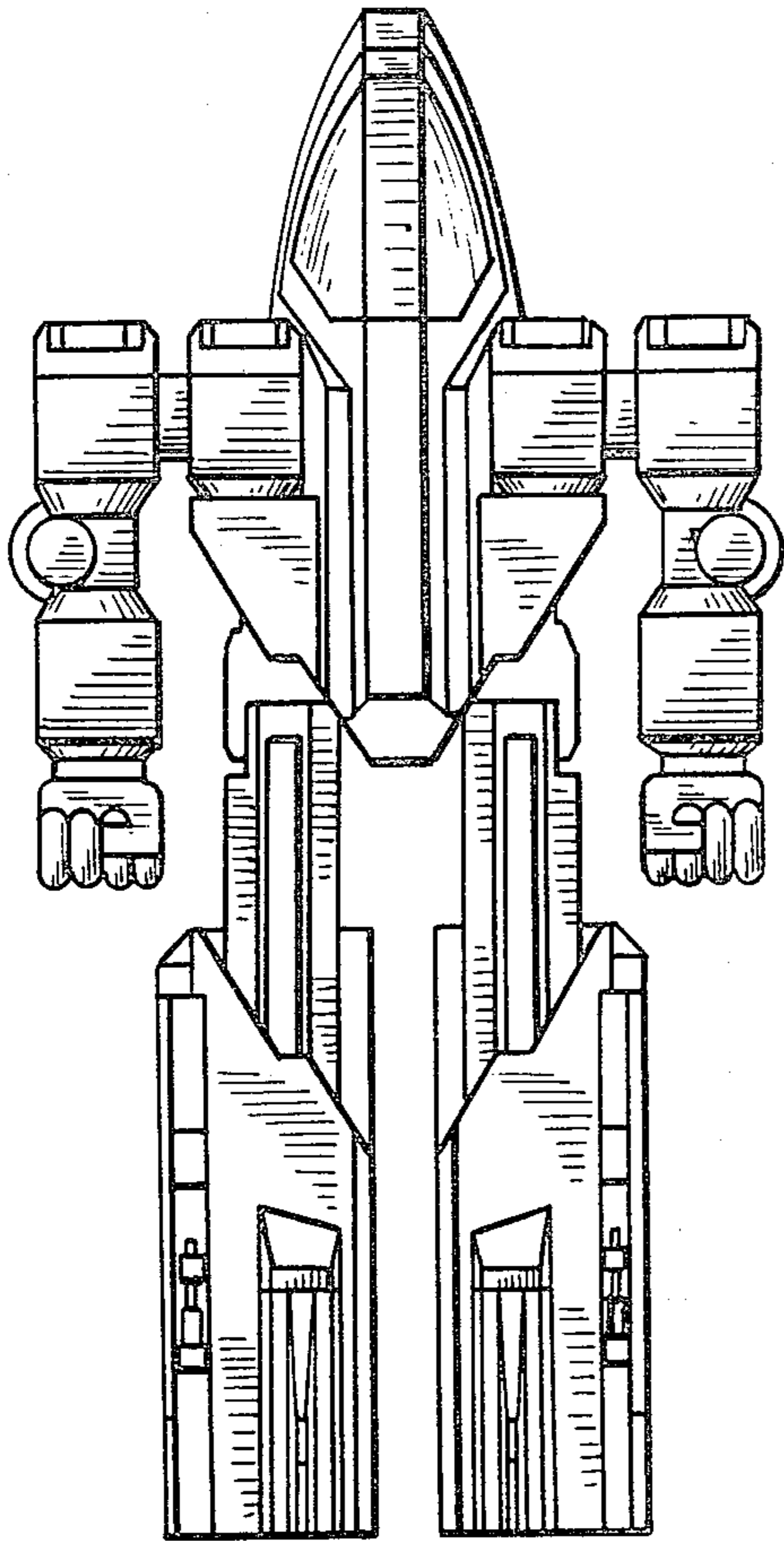


FIG. 1

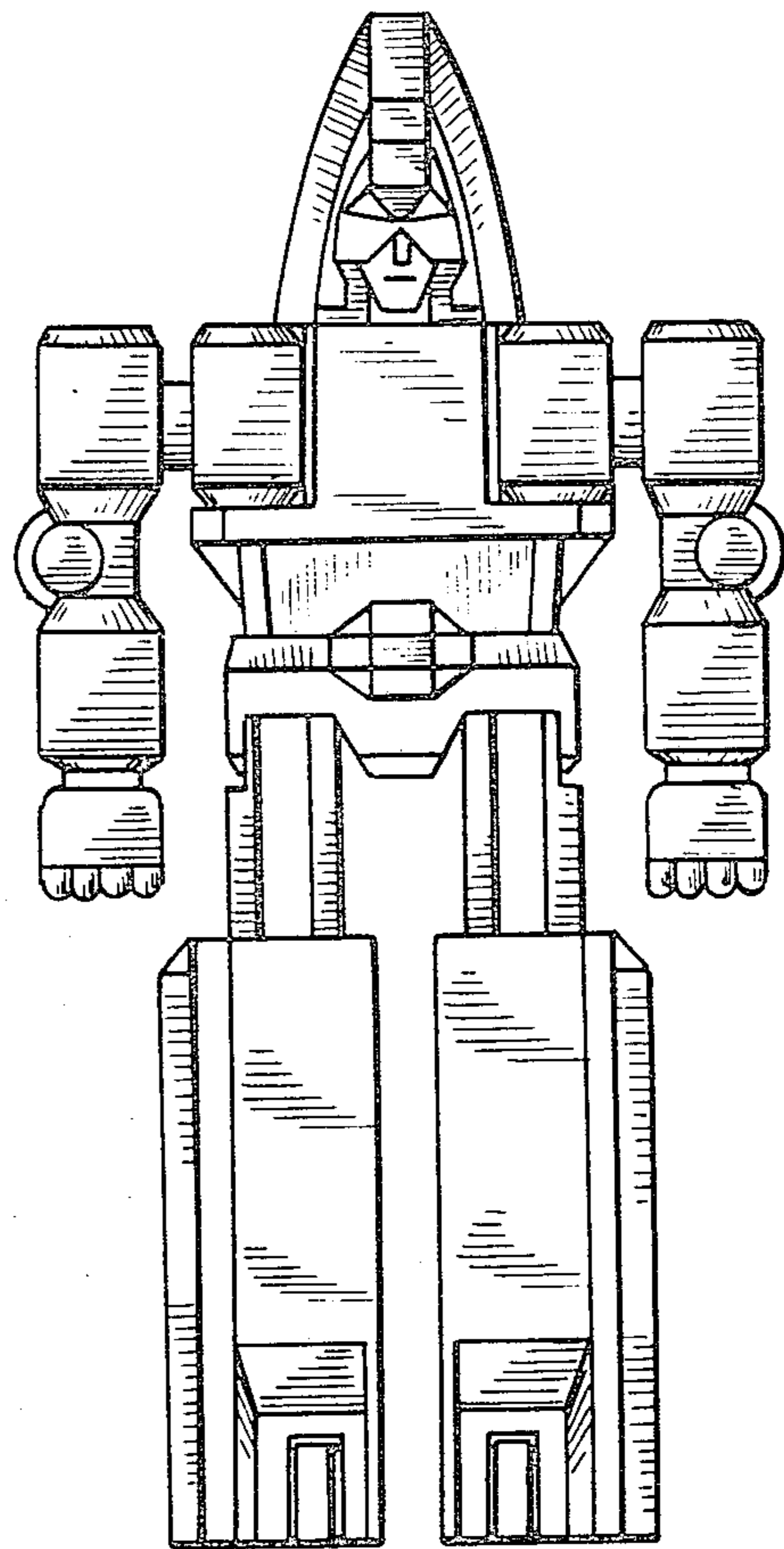


FIG. 4

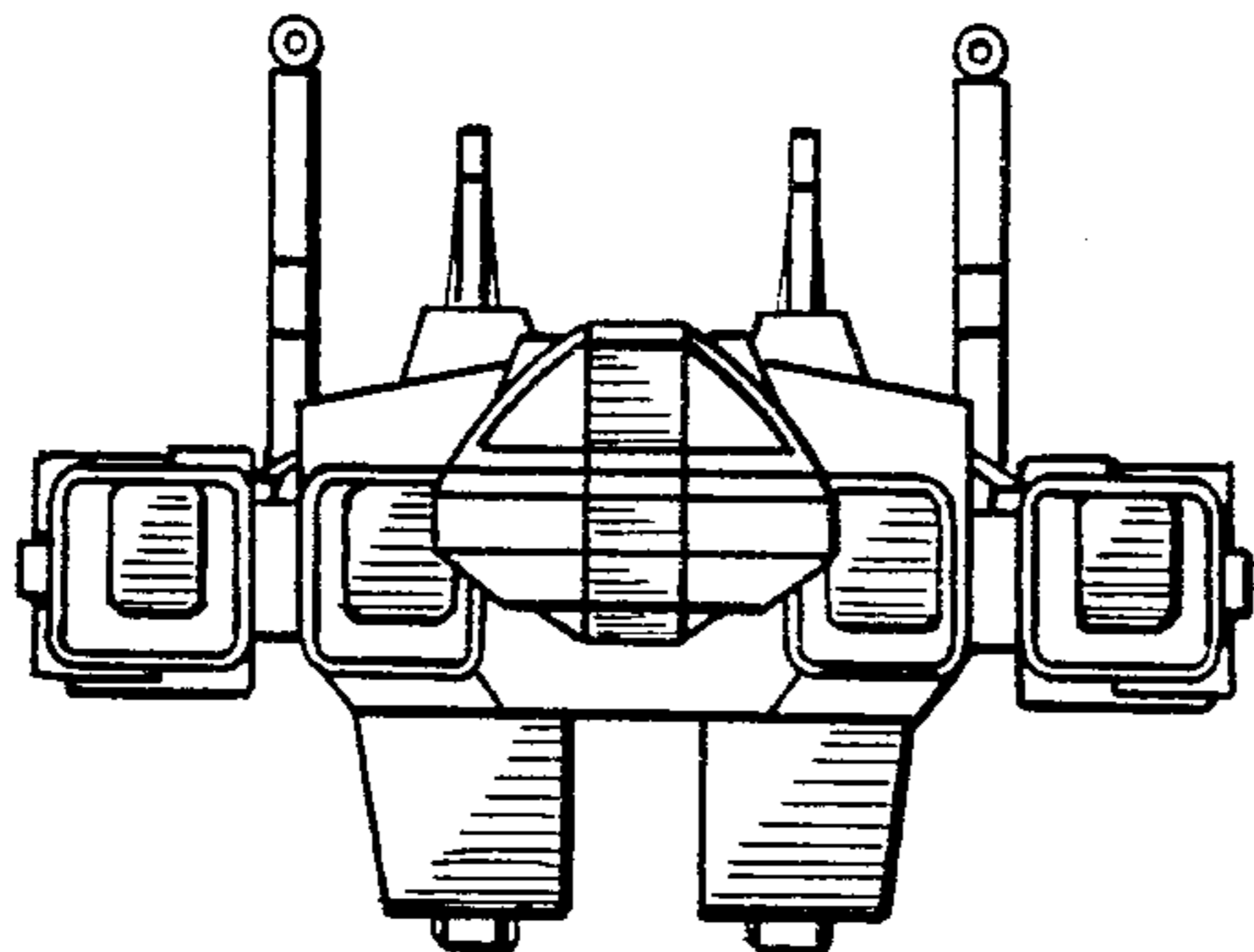


FIG. 3

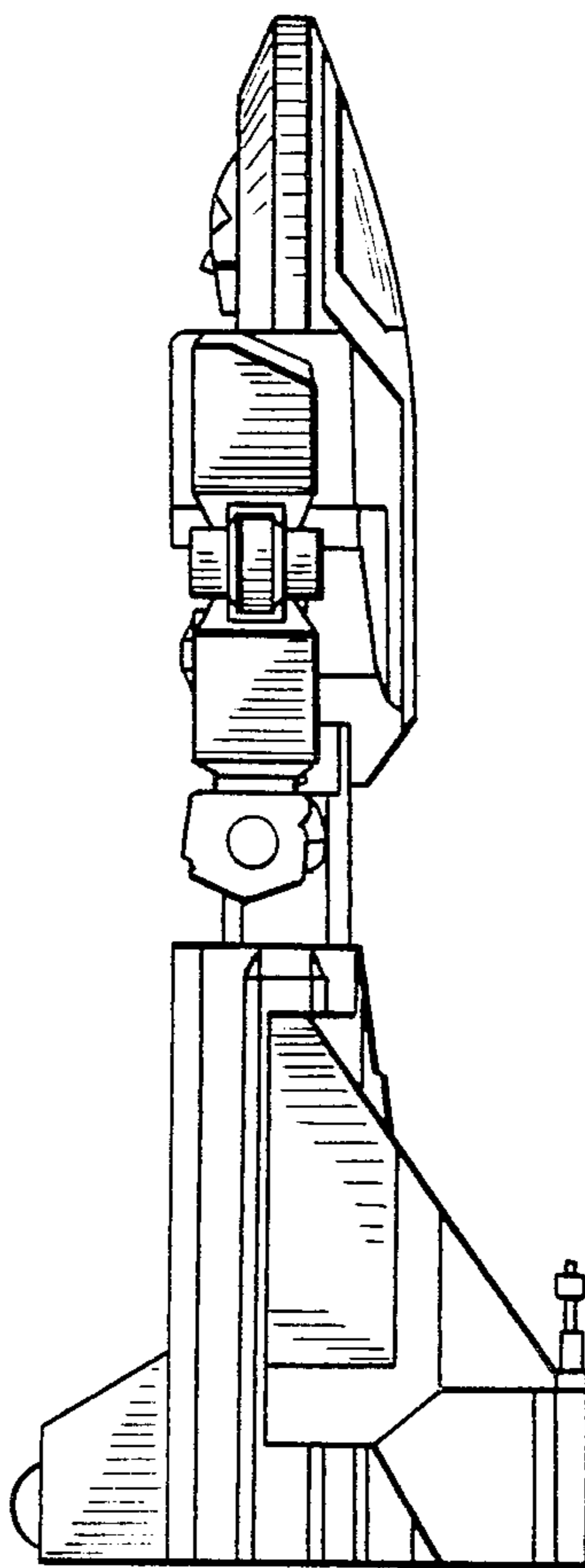


FIG. 5

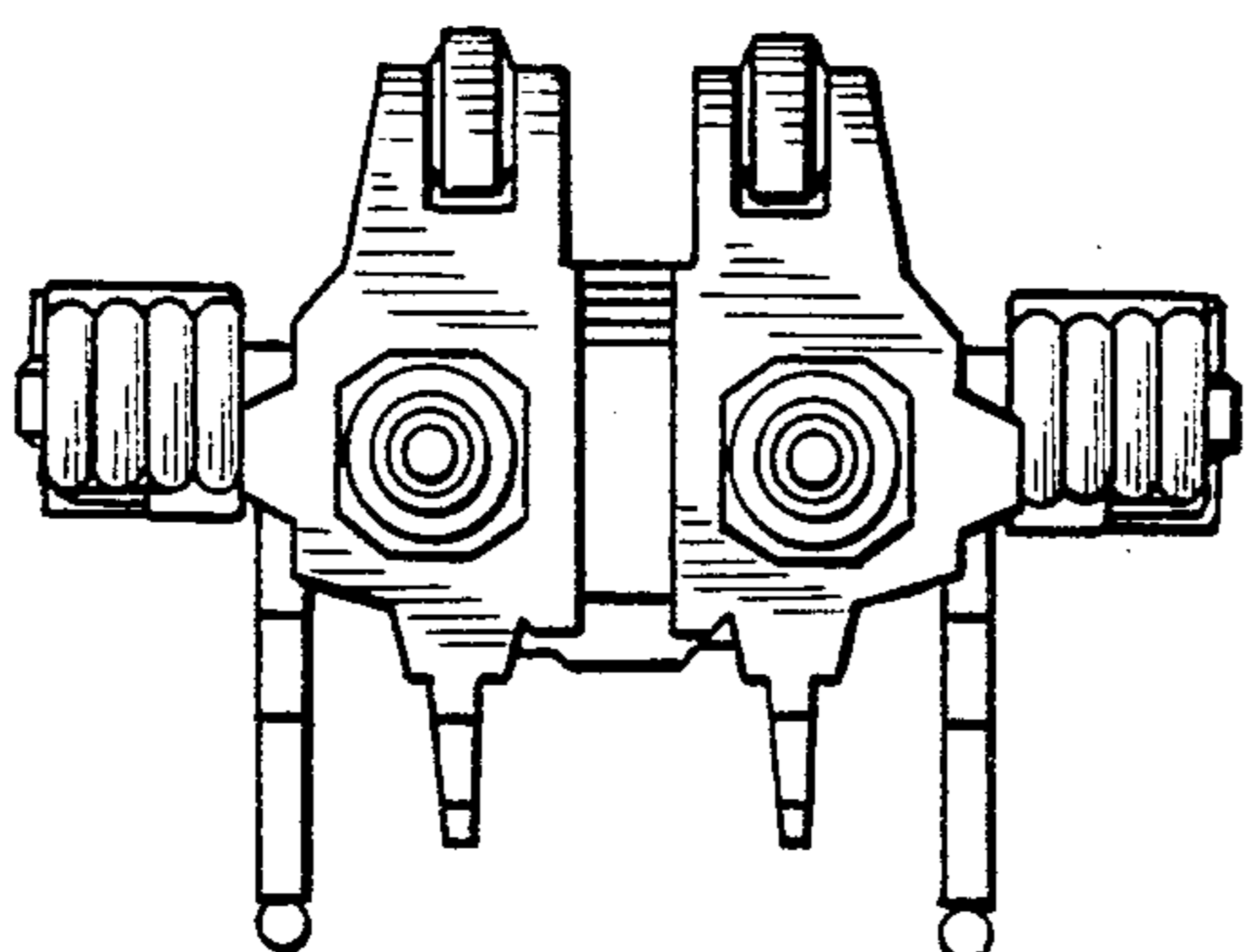


FIG. 6

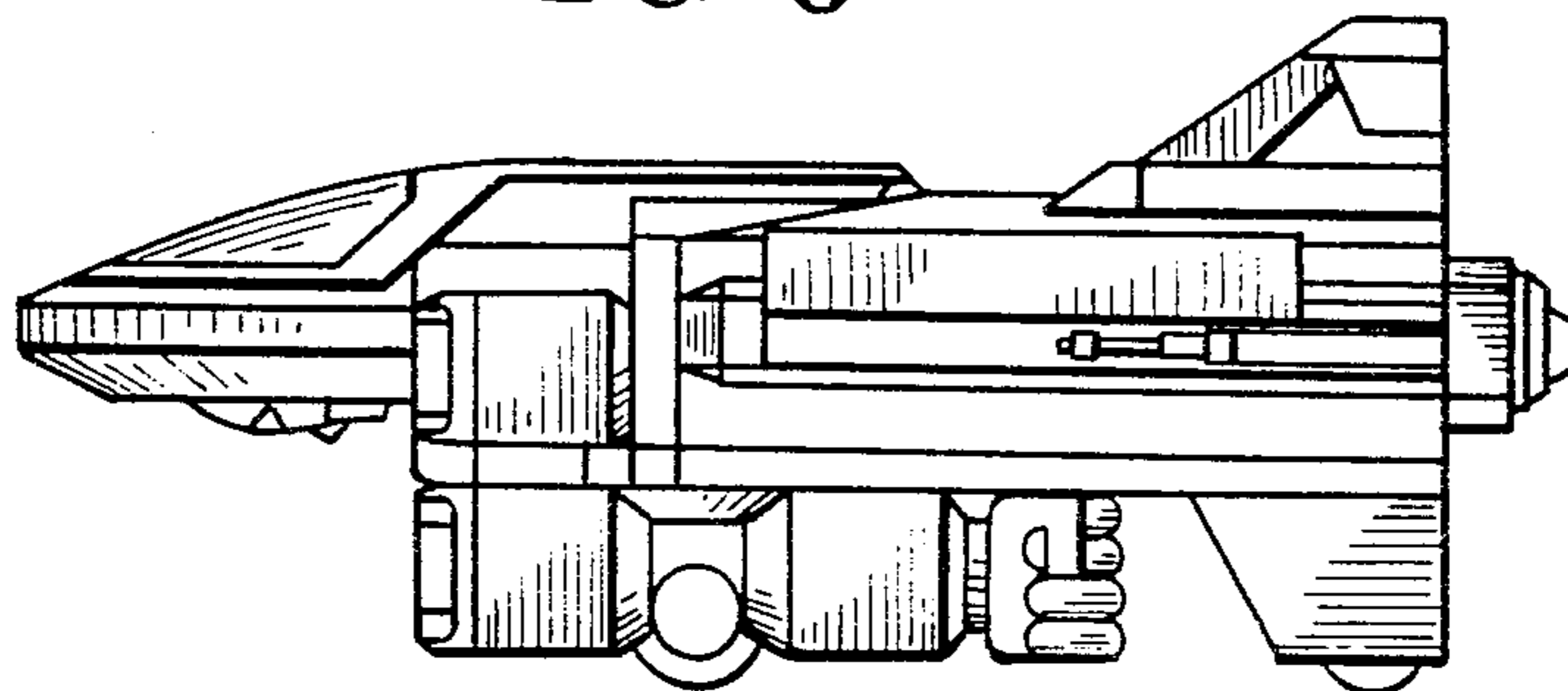


FIG. 7

