

[54] **SLOT MACHINE**
[75] **Inventor: Richard E. Smyth, Blakehurst, Australia**
[73] **Assignee: Ainsworth Nominees Pty. Ltd., New South Wales, Australia**
[**] **Term: 14 Years**
[21] **Appl. No.: 404,033**
[22] **Filed: Aug. 2, 1982**
[30] **Foreign Application Priority Data**
 Jun. 23, 1982 [AU] Australia 0767/82
[52] **U.S. Cl. D21/37; D21/13; D21/14**
[58] **Field of Search D21/37, 14, 13, 38; 273/138 A, 143 R, DIG. 28, 143 R**

[56] **References Cited**
PUBLICATIONS
Vending Times, Apr., 1980, p. 68, Game Table.
Vending Times, Jul., 1982, p. 49, bottom, Game Table.
Primary Examiner—Melvin B. Feifer
Attorney, Agent, or Firm—Holman & Stern

[57] **CLAIM**
The ornamental design for a slot machine, as shown.

DESCRIPTION
FIG. 1 is a front perspective view of a slot machine showing my new design;
FIG. 2 is an end view from the left thereof;
FIG. 3 is a rear elevational view thereof; and
FIG. 4 is a bottom plan view thereof.

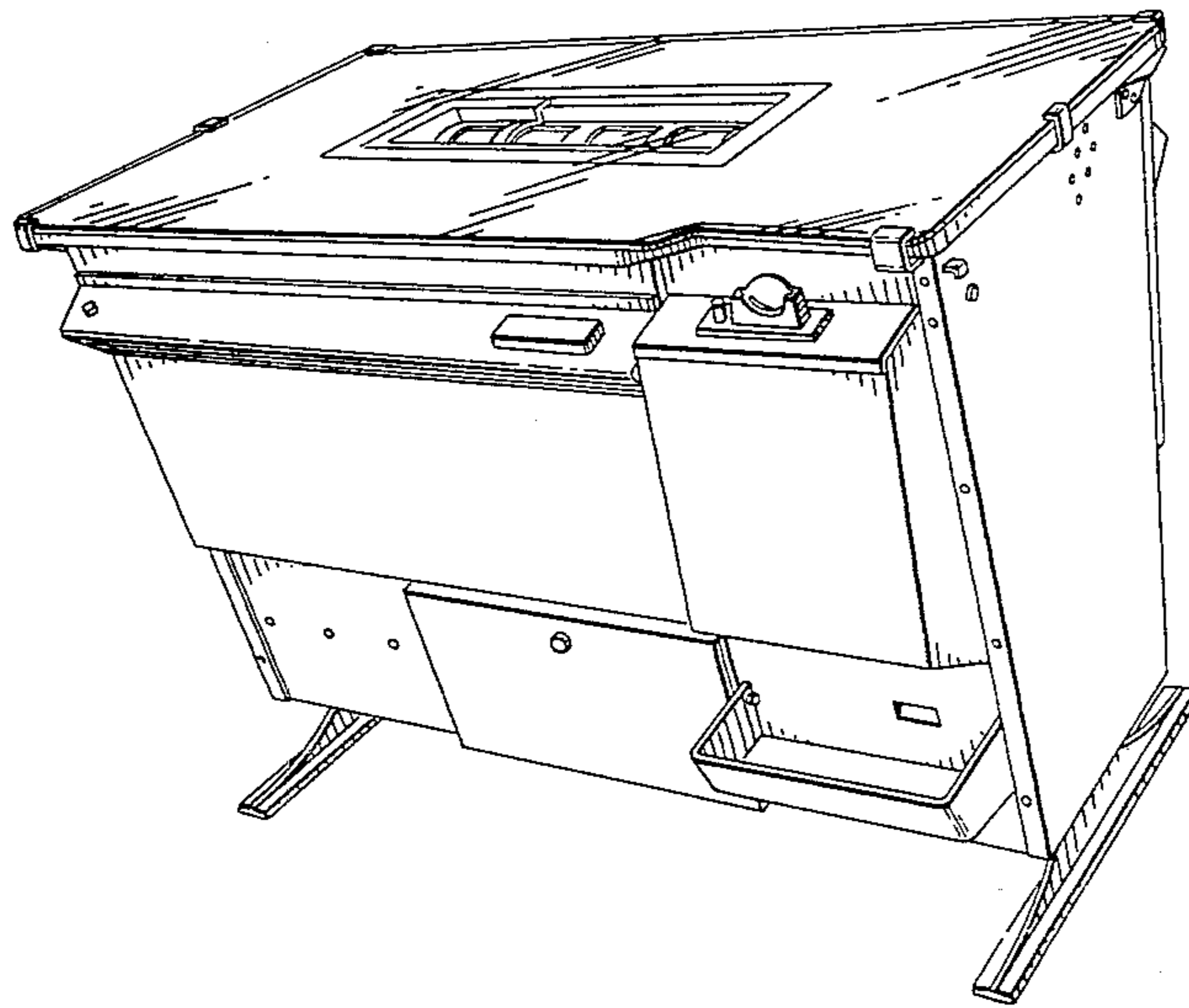


Fig. 1.

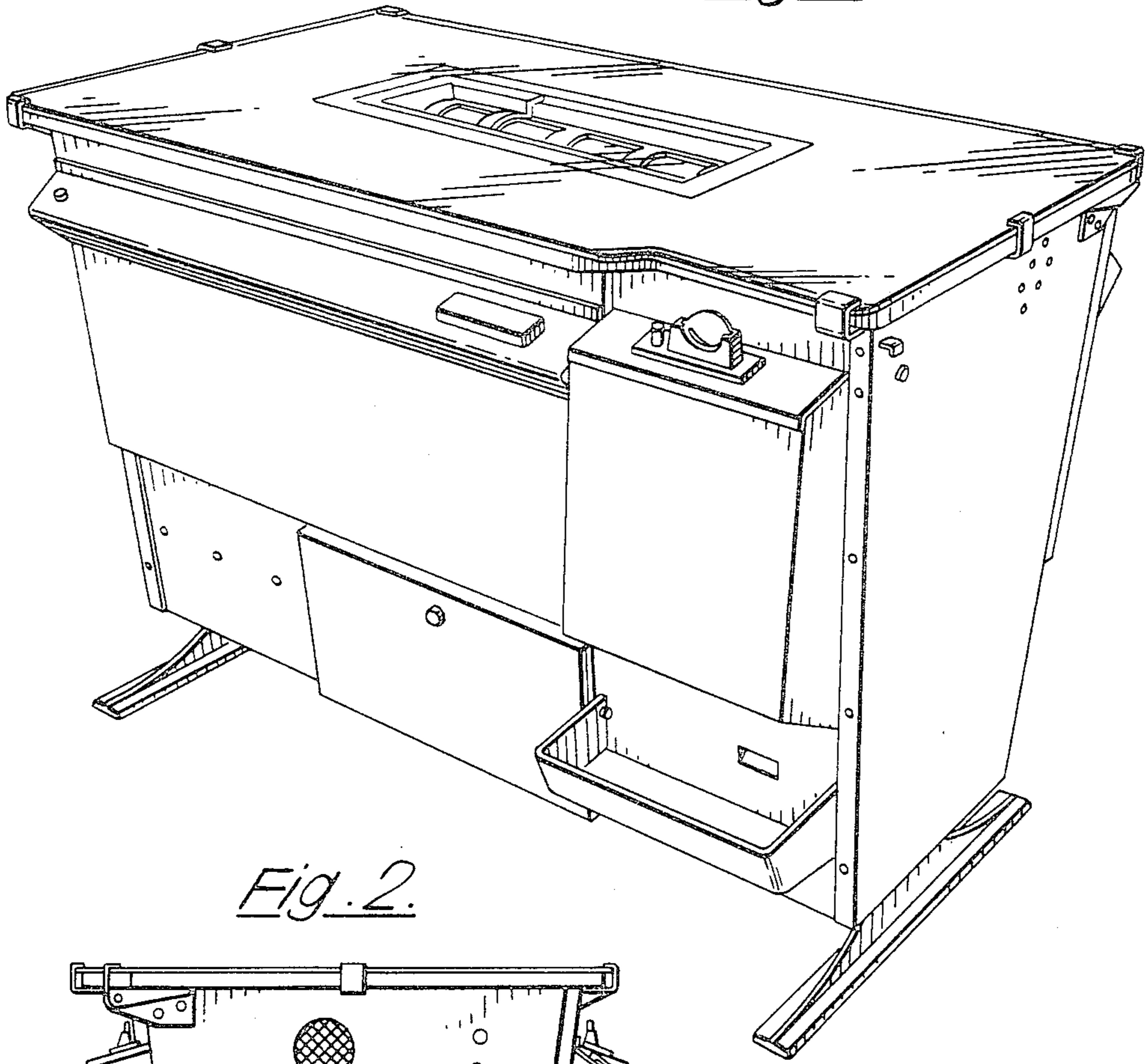


Fig. 2.

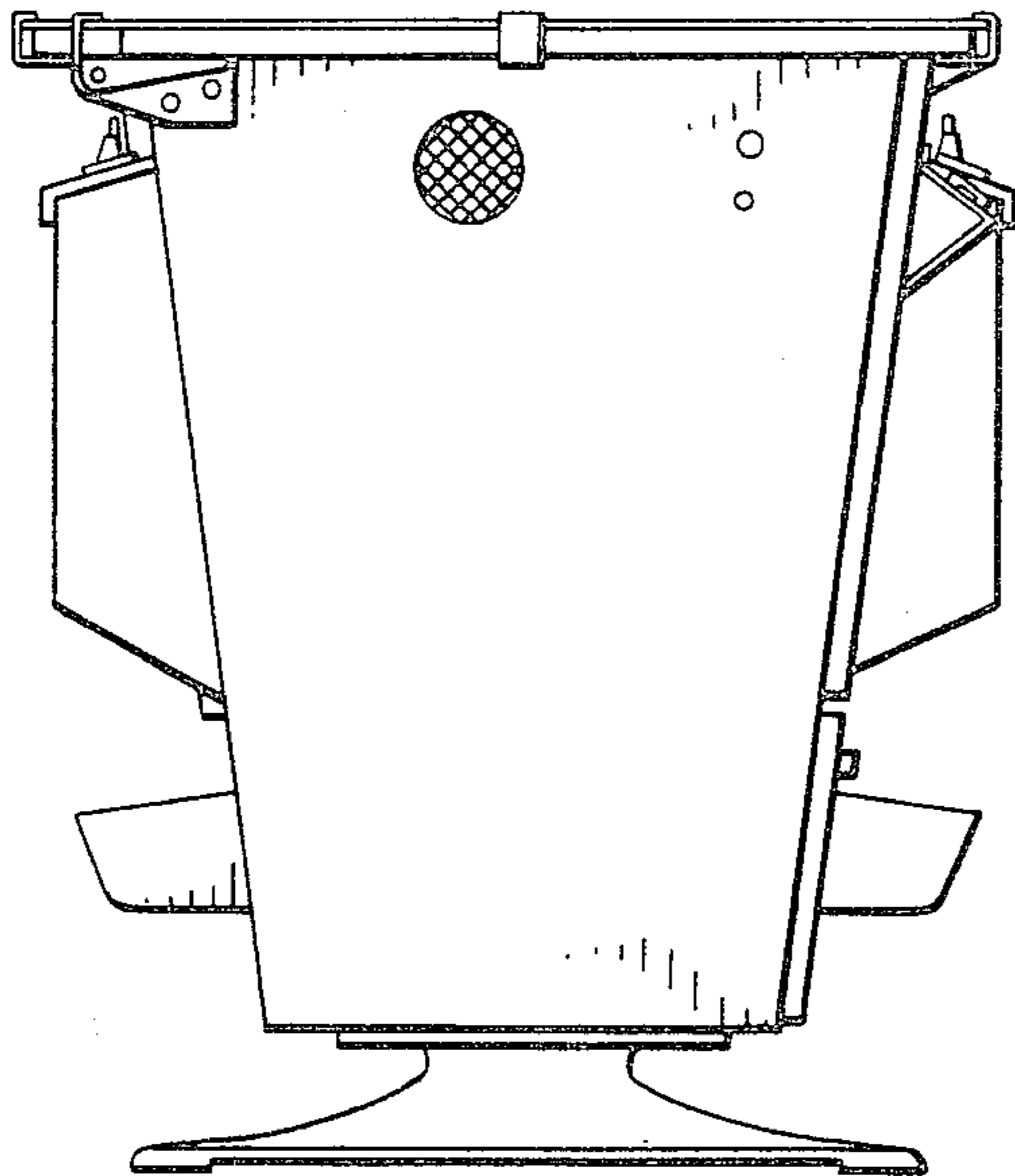


Fig. 3.

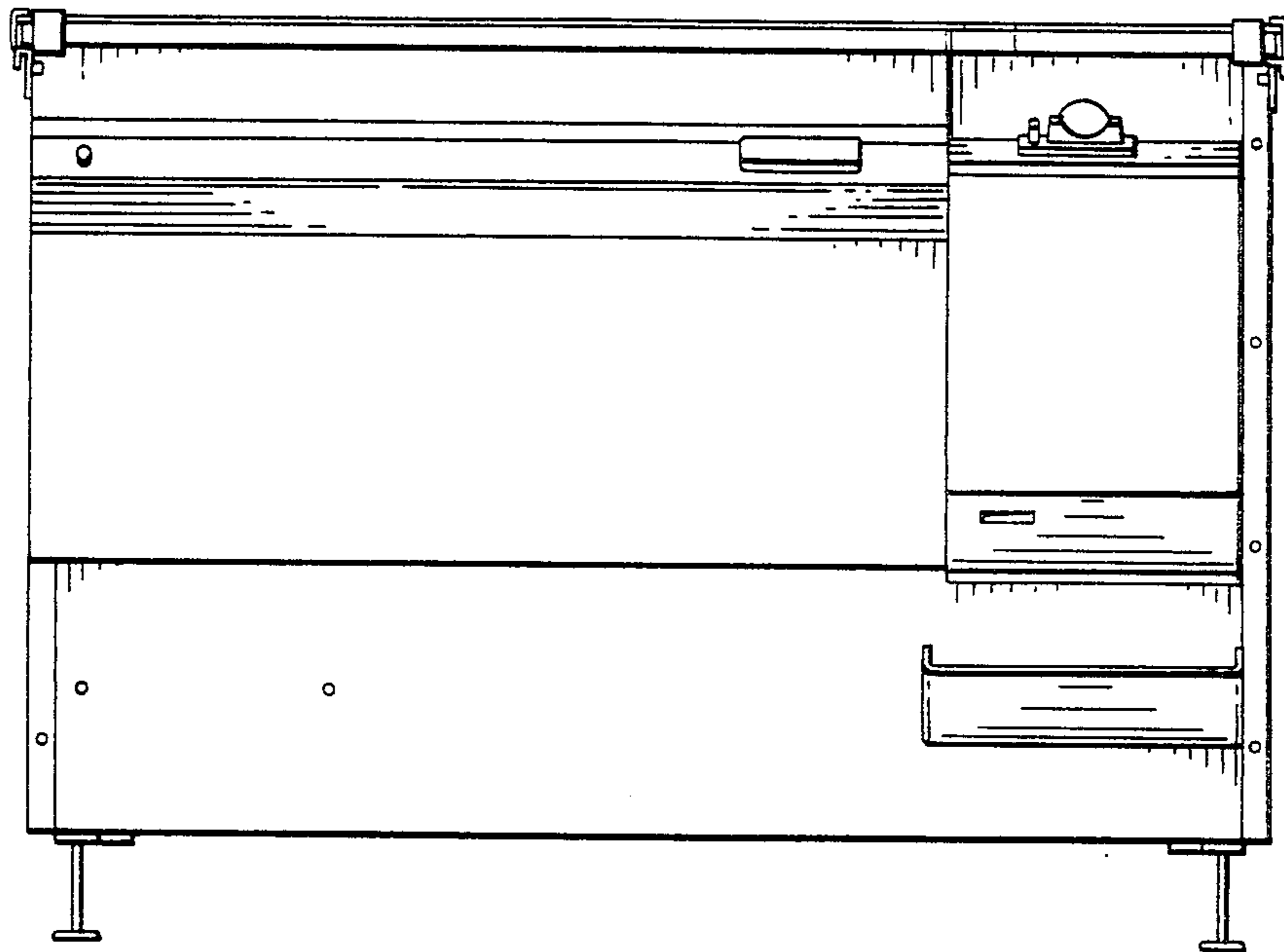


Fig. 4.

